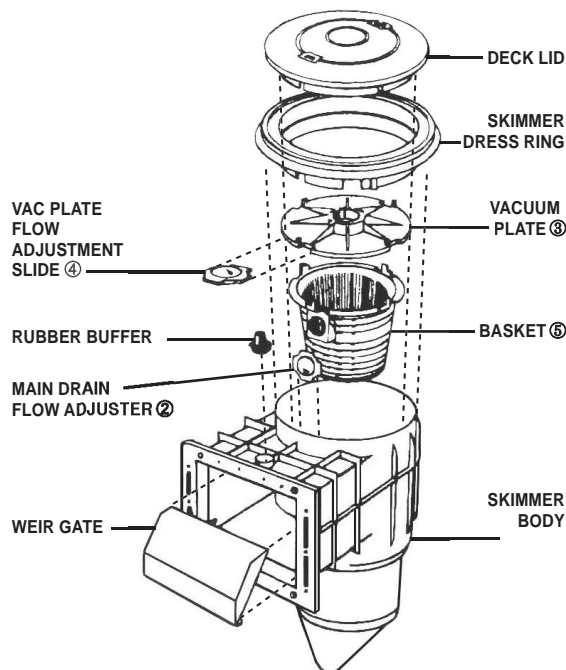


WATERCO

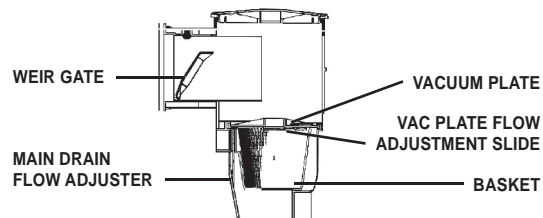
Water, the Liquid of Life

WATERCO SKIMMER BOXES

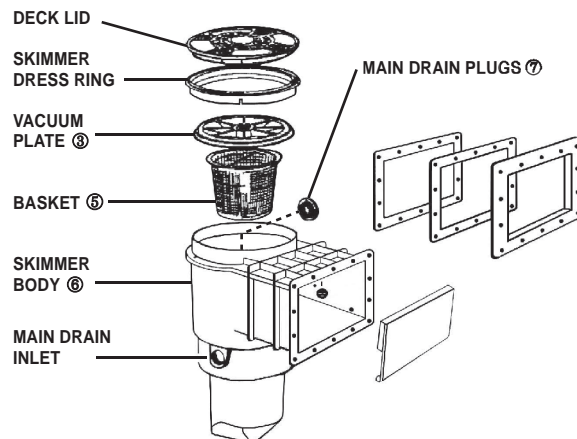
Operating Instructions (See over for Installation Tips)



* Figure 1: SP5000 Skimmer Box



* Figure 2: SP5000 Skimmer Box (side view)



* Figure 3: S75 and Supaskimmer Skimmer Boxes

TO REMOVE SKIMMER BASKET

Grip the brass handle and turn the basket ⑤ a quarter turn anti clockwise. This will align the lugs on the basket with the recess on the body of the skimmer. Lift up.

TO RE-INSERT SKIMMER BASKET

Locate the lugs on the basket with the recess on the body, making sure that when the basket is turned a quarter turn clockwise the opening in the basket will align with the opening to the main drain in the skimmer. Push down and turn.

TO VACUUM

S75 and Supaskimmer: Screw the main drain plug(s) ⑦ into the main drain inlet(s) in the skimmer body. Fit the vacuum plate to the skimmer body above the basket by locating cut outs on the vacuum plate with the lugs inside the skimmer body. Push down and turn a quarter turn clockwise. This will lock the vacuum plate into position.

SP5000: Slide up and close the main drain flow adjuster ②. Slide along and open the vacuum plate flow adjuster ④ on the underside of the vacuum plate ③. Fit the vacuum plate to the top of the basket by locating the cut outs in the vacuum plate with the lugs on the basket. Push down and turn clockwise. This will lock the plate

into position. Now follow all vacuuming procedures. After vacuuming is completed remove the vacuum plate from the skimmer box. The main drain flow adjuster ② should be open during normal everyday running.

NB: The vacuum plate should be left out of the skimmer box during day to day running.

TO DRAW FROM MAIN DRAIN ONLY

S75 and Supaskimmer: Remove the main drain plug(s) from the main drain inlet(s) in the skimmer body. Fit the vacuum plate to the skimmer box as before. This will then eliminate the surface skimming action and draw water solely from the main drain of the pool.

SP5000: Slide to open the main drain flow adjuster ②. Slide to close the vacuum plate flow adjuster ④. Fit the vacuum plate ③ to skimmer box as before.

ATTENTION: THIS MANUAL MUST BE GIVEN TO THE OWNER / OPERATOR OF THIS EQUIPMENT

See over for Installation Tips

Installation Tips

Fibreglass/ Vinyl Lined Pools

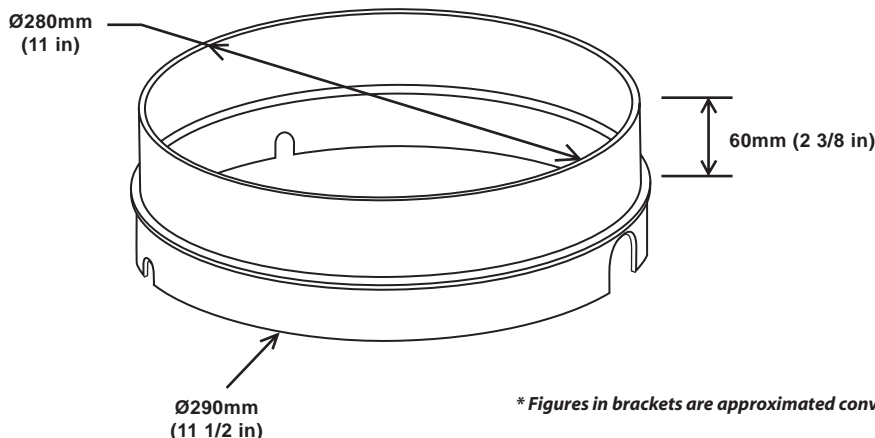
- Skimmer box MUST be horizontal.
- Top of the skimmer box mouth MUST be at least 75mm below the top of the pool wall.
- Ground surrounding the skimmer box MUST be properly filled in and packed so the skimmer box is not squeezed into an oval shape by the surrounding ground.
- Using a bobcat for this purpose is NOT recommended.

Concrete Pools

- Skimmer box MUST be horizontal.
- Extension Rings (available separately).
- Concrete surrounding the skimmer box MUST be properly reinforced.

If the Skimmer box is to be installed with the Dress Ring above and unsecured to the Skimmer Body, Waterco recommends the use of an Extension Ring.

Extension Ring (60mm Prod No: 624105)



* Figures in brackets are approximated conversions

The Extension Ring sits snugly on top of the skimmer box between the skimmer box body and the Deck Ring.

- Prevents the misalignment of the Dress Ring and the Skimmer Body.
- Accurate alignment of the Dress Ring and Skimmer Body ensures no difficulties inserting or removing the vacuum plate.
- Protects the Skimmer Box cavity from concrete intrusions.
- Provides a professional clean finish.

The Waterco Extension Ring suits the Supaskimmer, the S75 MK2 Skimmer and the Automatic Water Leveller MkII.

An individual Extension Ring offers an extension of 60mm and can be piggybacked to give an extension of any multiple of 60mm, e.g. 120mm, 180mm, 240mm...etc.

ATTENTION: THIS MANUAL MUST BE GIVEN TO THE OWNER / OPERATOR OF THIS EQUIPMENT

See over for Operating Instructions

WATERCO

Water, the Liquid of Life
www.waterco.com

Waterco Limited ABN 62 002 070 733

OFFICES - AUSTRALIA

NSW (HEAD OFFICE) Sydney 36 South Street, Rydalmere, NSW 2116, Australia. Tel : +61 2 9898 8686 Fax : +61 2 9898 1754	QLD Brisbane 77 Nealdon Drive, Meadowbrook, QLD 4131, Australia. Tel : +61 7 3299 9900 Fax : +61 7 3299 9911	VIC/ TAS Melbourne 24 Summer Lane, Ringwood, VIC 3134, Australia. Tel : +61 3 9879 5141 Fax : +61 3 9879 5143	SA/ NT Adelaide 580 Torrens Road, Woodville North, SA 5012, Australia. Tel : +61 8 8244 6000 Fax : +61 8 8244 6011	WA Perth 2 Stretton Place, Balcatta, WA 6021, Australia. Tel : +61 8 9273 1900 Fax : +61 8 9273 1999	DISTRIBUTOR ACT Canberra 129 Gladstone Street, Fyshwick, ACT 2609, Australia. Tel : +61 2 6280 6476 Fax : +61 2 6239 1395
---	--	---	--	--	---

OFFICES - OVERSEAS

WATERCO (NZ) LTD Auckland, New Zealand 146 Rockfield Road, Penrose, Auckland, NZ. Tel : +64 9 525 7570 Fax : +64 9 525 6580	WATERCO (FAR EAST) SDN BHD Kuala Lumpur, Malaysia Lot 24391-B, Jin 3/32A, Off Batu 6 1/2, Jin Kepong, 52000 Kuala Lumpur, Malaysia. Tel : +60 3 6250 8169 Fax : +60 3 6250 8175	WATERCO (GUANGZHOU) LTD Guangzhou, China 1st Floor (West Block), D1-3 Complex Guang Ye Hang, 5, Ming Hua San Street, Jin Xiu Road, GETDD Guangzhou, 510730 P.R. China. Tel : +8620 8335 1107 Fax : +8620 8335 1114	WATERCO (USA) INC Phoenix Arizona, USA 23015 North 15th Ave, #106 Phoenix, Arizona 85027, USA. Tel : +1 623 434 4703 Fax : +1 623 434 4704	WATERCO (EUROPE) LTD Lacro (UK) Ltd Kent ME9 9PS, UK Radfield, London Road, Teynham, Sittingbourne, Kent ME9 9PS, UK. Tel : +44(0) 1795 521 733 Fax : +44(0) 1795 522 085
---	---	---	--	--