

SUPATUF **ECO** PUMP

Energy Saving 3 Speed Pump

Equipped with an energy saving 3 speed motor, Supatuf ECO is capable of lowering its energy usage & reducing its operating noise levels.

- Energy Rating of 7 Stars
- Innovative permanent magnet brushless DC motor
- Ultra quiet operation

ENERGY RATING

A joint government and industry program
Waterco Supatuf ECO 100
Publicized Pump

Efficiency L/W/h	Flow Rate Liter/s	Motor in	Power W	Noise dBA
88.3	100	0.8	204	66.0

Energy consumption
503
kWh per year
To pump 10,000 liter/day

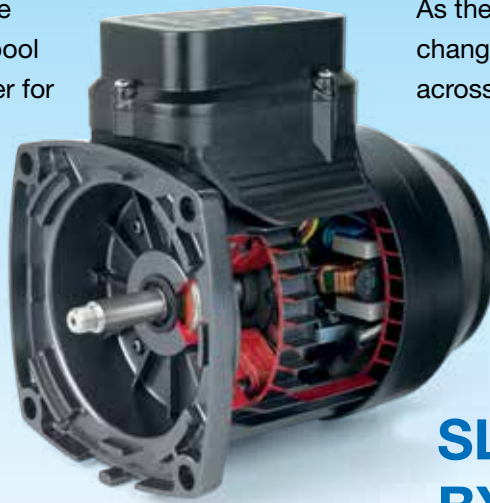
Who's tested in accordance with AS 5102.2.
Actual energy use and running costs will depend on how you use the appliance.

Compare models at www.energyrating.gov.au



Energy Saving

Conventional pool pumps are limited to one set speed. A pool pump is usually sized to cater for the pool's maximum water flow requirements, which may either be the sand filter's backwash water flow or to provide sufficient water flow to operate a suction cleaner.



As the speed of a conventional pump cannot be changed, the same maximum water flow is applied across the pool's various requirements.

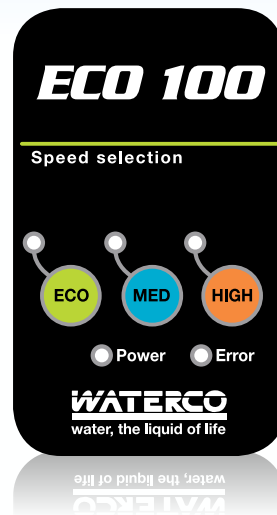
Equipped with the very latest 3 speed permanent magnet brushless DC motor, Supatuf ECO is capable of lowering its motor speed, reducing water flow and lowering its energy consumption.

SLASH ENERGY USE BY UP TO 70%.

3 Speed Options

Supatuf ECO's 3 speed options cater for most pool functions.

- **High speed** - Vacuuming and backwash – 1% of the time
- **Medium speed** - Automatic pool cleaners
- **Low speed** - Filtration – 99% of the time



As a pool's filtration cycle occupies 99% of the run time of a pool pump, you can operate the Supatuf ECO on its low speed setting for a majority of its running time, leading to significant energy savings.

Benefits of Slow Flow

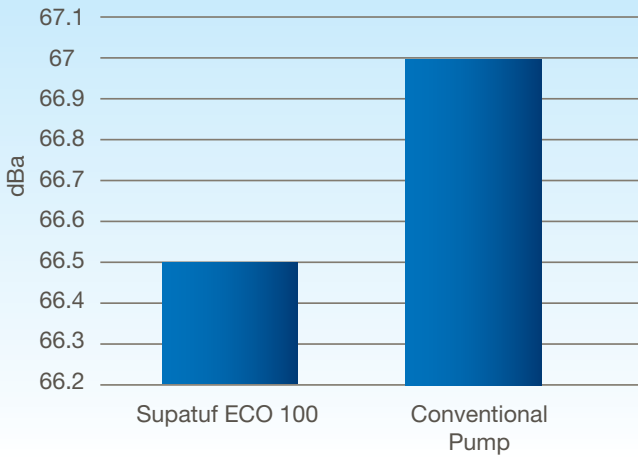
Lowering a pump's flow rate not only significantly decreases the pump's energy requirements, but also reduces water flow resistance in your pool equipment and plumbing. Even though you may need to operate the Supatuf ECO longer, it is far more efficient pumping low water flow compared to high water flow.

A slow flow rate also has the added benefit of improving your pool's filtration efficiency, enhancing the clarity of your swimming pool water. Plus your automatic chemical dosers and salt chlorinators are also more effective when the pool water is circulated longer.



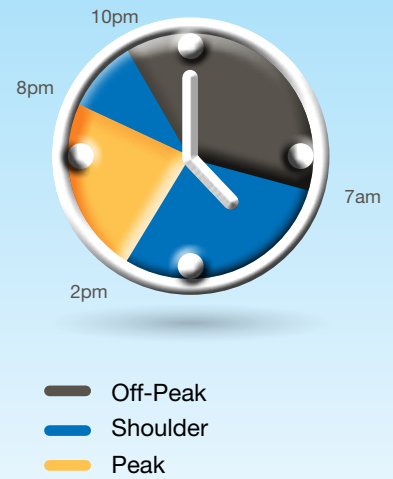
Ultra Quiet

Supatuf ECO operates most economically and with the lowest noise level at its low speed setting. Its low speed setting significantly reduces the pump's vibration, motor noise and water turbulence to an ultra low 66.5 decibels (dBA).



Off-Peak Operation

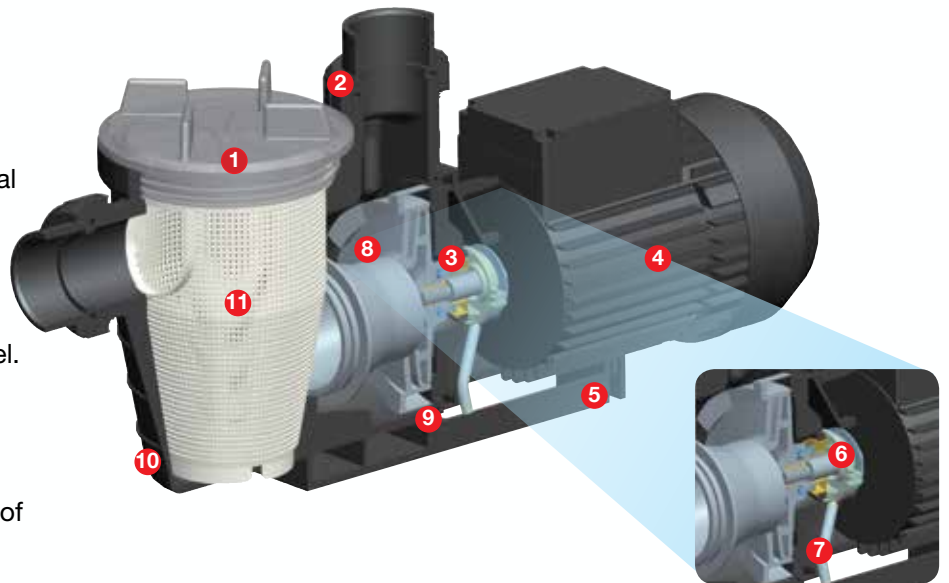
Its low noise levels enable it to be operated at times that are not allowable for conventional pool pumps. A Supatuf ECO allows you to take advantage of off-peak electrical tariff periods, without upsetting your neighbours.



SAVE HUNDREDS OF DOLLARS OFF YOUR ENERGY BILLS.

Key Features

1. Clear basket lid.
2. Quick connect barrel unions for UPVC pipe.
3. High grade carbon/graphite mechanical seal with 316 stainless steel spring assembly.
4. High performance motor:
 - IP44 rating
 - Motor shaft 303 grade stainless steel.
 - Fan cooled.
 - Thermal overload protection
5. Stable support base.
6. Secondary Seal - For extra protection of the pump motor.
7. Secondary seal drain pipe.
8. Hydraulically efficient impeller and diffuser design.
9. Drain plugs.
10. Strong single piece glass filled thermoplastic pump body.
11. Strainer basket - capture debris and protects the pumps impeller.



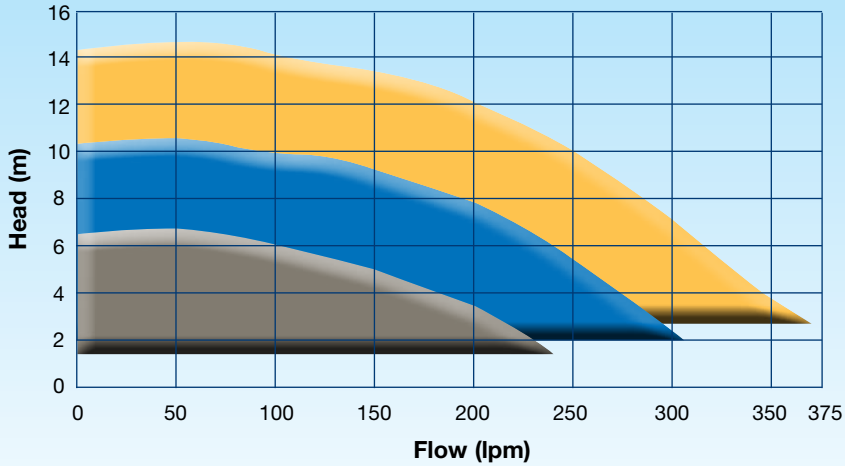
Secondary Seal

Situated between the pump wet end & the pump motor, a mechanical seal forms a seal around the motor shaft to prevent water from running out along the shaft of a motor. The mechanical seal is the wearing part of any pool pump.

A mechanical seal may leak water if the pump is ever run dry or simply be worn out. If a leaky mechanical seal is not replaced promptly, water will travel up the shaft of the motor and ruin the motor in a very short period of time.

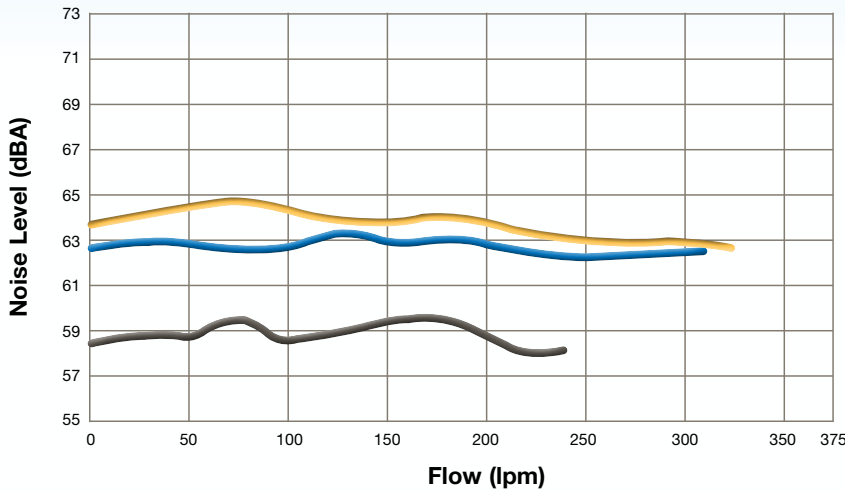
Waterco's Secondary Seal protects the pump motor's end shield from any water contact, by capturing any leaks through a worn out mechanical seal and draining it out of the pump.

Supatuf ECO 100 Performance Curves



- Low speed (1900rpm)
- Medium speed (2410rpm)
- High speed (2850rpm)

Supatuf ECO 100 Noise Levels



SUPER EFFICIENCY RATING

The more stars the more energy efficient

ENERGY RATING

A joint government and industry program
Waterco Supatuf ECO 100
Multispeed Pump

Efficiency L/Wh	Flow Rate L/min	Head m	Power W	Noise dBA
36.2	160	4.6	2.64	66.5

Energy consumption
503
kWh per year
To pump 50,000 litres/day

When tested in accordance with AS 5102.2.
Actual energy use and running costs will depend on how you use the appliance.

Compare models at www.energyrating.gov.au



Warranty

Pumps	3 years (conditional)*
Wet End	3 years
Motor, mechanical seal, hair & lint pot lid, o'ring, basket, impeller & diffuser	2 years
Commercial applications	1 year
Labour	1 year

*Please refer to Waterco's warranty terms and conditions

Specifications

Length (mm)	Height (mm)	Width (mm)	Packaged Weight (kg)	Inlet/Outlet (mm)	Strainer Basket (mm)
635	311	175	12	50/40	1.5

Medium speed (2410rpm)

Pump Total Head (m)	Flow Rate (lpm)	Motor Input (kW)	Amps	Noise Level (dBA)
5.6	247	0.52	3.9	60.9
8.1	184	0.50	3.8	61.3
9.6	125	0.45	3.4	61.7

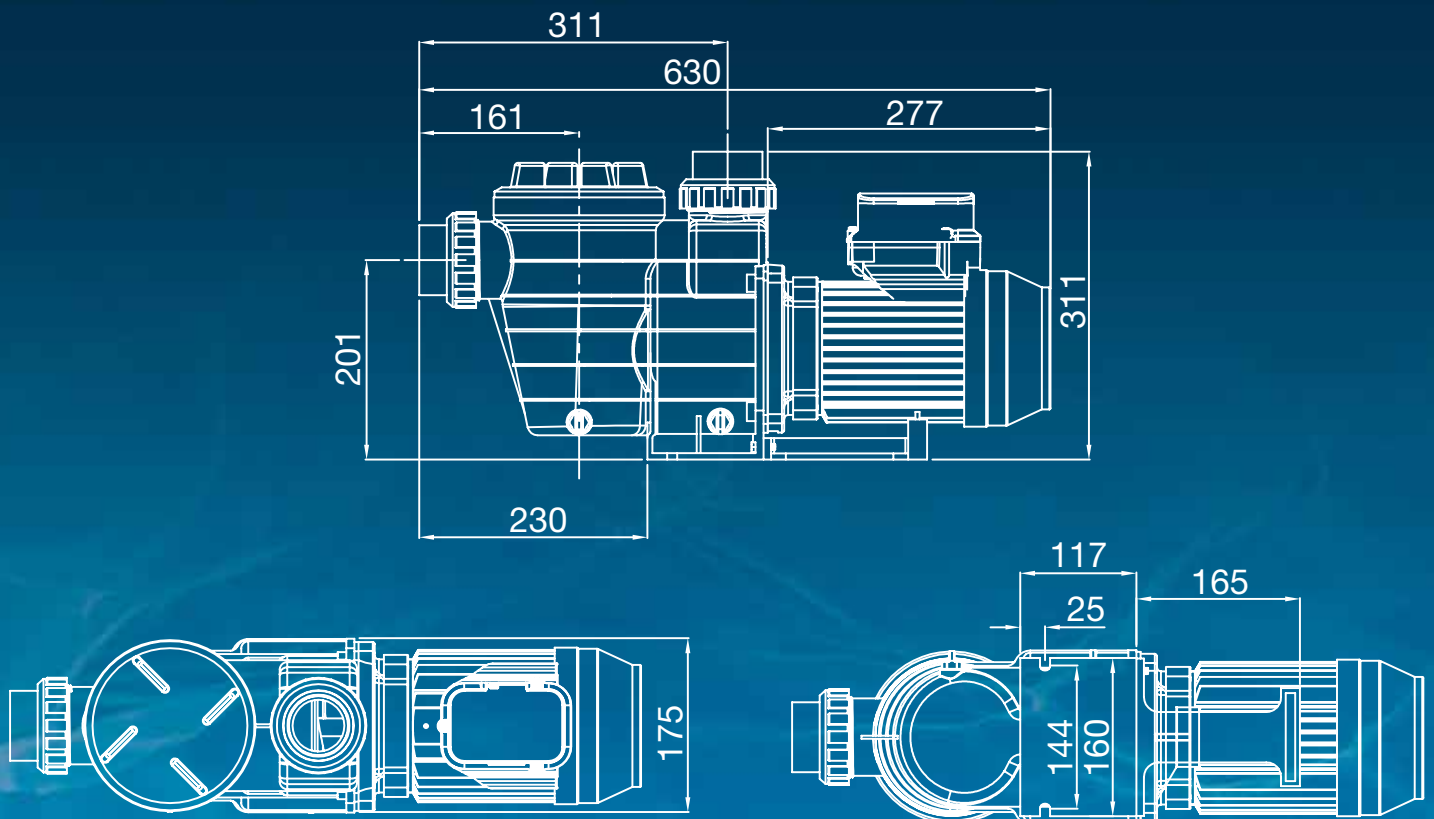
Low speed (1900rpm)

Pump Total Head (m)	Flow Rate (lpm)	Motor Input (kW)	Amps	Noise Level (dBA)
2.4	214	0.27	2.1	58.8
4.4	169	0.27	2.1	58.4
5.6	118	0.25	1.9	58.7

High speed (2850rpm)

Pump Total Head (m)	Flow Rate (lpm)	Motor Input (kW)	Amps	Noise Level (dBA)
7.3	297	0.84	6.5	63.5
11.2	219	0.79	5.9	63.3
13.4	148	0.71	5.3	63.6

Dimensions (mm)





Established since 1981, Waterco is an Australian public listed company involved in the manufacture and distribution of:

- Swimming pool/spa equipment and chemicals
- Domestic water filters, softeners and purifiers
- Commercial and Industrial water treatment equipment.

Waterco's research & development team has created an innovative range of award winning products.

The company's advanced fibreglass winding and pioneering plastic moulding techniques have delivered premium quality products to over 40 countries via its branches operating in Australia, New Zealand, Malaysia, China, the United Kingdom, United States of America, Canada, Indonesia and Singapore.



OFFICES - AUSTRALIA

NSW - Sydney (Head Office)
Tel: +61 2 9898 8600

QLD - Brisbane
Tel: +61 7 3299 9900

VIC/TAS - Melbourne
Tel: +61 3 9764 1211

WA - Perth
Tel: +61 8 9273 1900

SA/NT - Adelaide
Tel: +61 8 8244 6000

ACT Distribution
Tel: +61 2 6280 6476

OFFICES - OVERSEAS

Waterco (Europe) Limited
Sittingbourne, Kent. UK
Tel: +44 (0) 1795 521 733

Waterco (USA) Inc
Augusta, Georgia, USA
Tel: +1 706 793 7291

Waterco Canada
Longueuil, Quebec, Canada
Tel: +1 450 748 1421

Waterco (NZ) Limited
Auckland, New Zealand
Tel: +64 9 525 7570

Waterco (C) Limited
Guangzhou, China
Tel: +86 20 3222 2180

Waterco (Far East) Sdn Bhd
Selangor, Malaysia
Tel: +60 3 6145 6000

PT Waterco Indonesia
Jakarta, Indonesia
Tel: +62 21 4585 1481

Waterco Singapore Intl Pte Ltd
Nehsons Building, Singapore
Tel: +65 6344 2378

Waterco France
SAINT PRIEST, France.
Tel: +33 4 72 79 33 30

DISTRIBUTED BY:

