

# HYDRO 5000 COMMERCIAL STRAINER

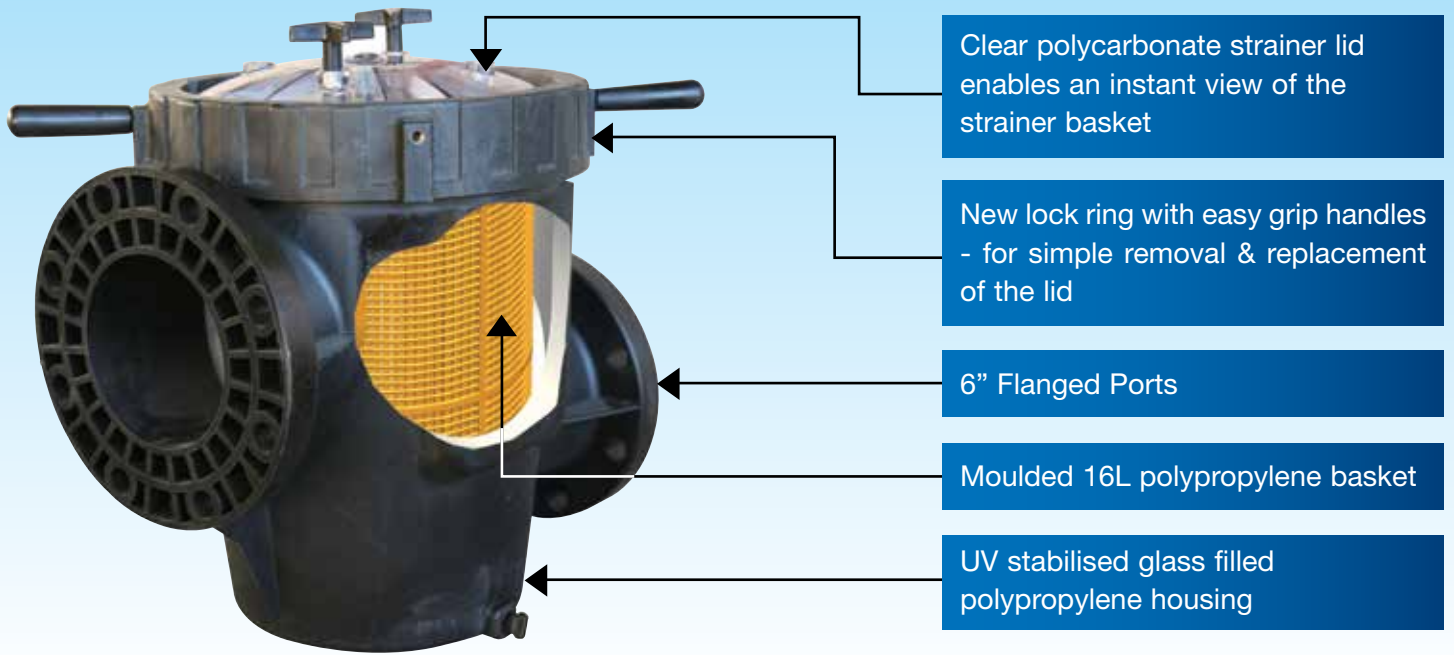


Constructed from composite materials, the Hydro Commercial is a totally non corrosive strainer, designed for aquatic facilities, water parks and large commercial swimming pools.

Hydro 5000 commercial strainer's main body is constructed from an injection moulded glass reinforced thermoplastic. Its seamless one piece consists of no welds or seams or special tank linings which can corrode or electrolyse.

Hydro 5000 strainers weigh less than a 1/3 the weight of its steel counterparts without any compromise in strength and durability.

## Features



## Technical data

**Ports:** 6" Flanged

**Maximum Flow Rate:** 2,550 lpm

**Maximum Working Pressure:** 3.5 Bar (50 PSI)

**Basket Area:** 0.29 m<sup>2</sup>

**Free area:** 0.19 m<sup>2</sup>

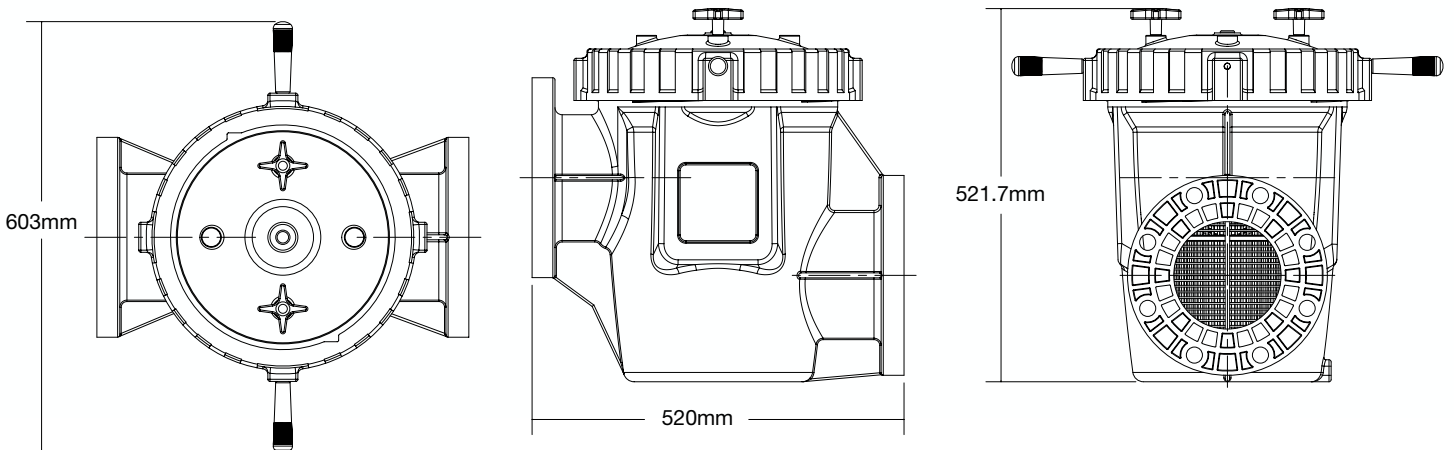
## Construction Materials

**Housing:** Polypropylene (comply with NSF50).

**Basket:** Polypropylene (FDA-grade)

**Lid:** Polycarbonate

## Dimension



## Warranty

\* Please refer to Waterco's warranty terms and conditions

### OFFICES - AUSTRALIA

NSW - Sydney (Head Office)  
Tel: +61 2 9898 8600

QLD - Brisbane  
Tel: +61 7 3299 9900

VIC/TAS - Melbourne  
Tel: +61 3 9764 1211

WA - Perth  
Tel: +61 8 9273 1900

SA/NT - Adelaide  
Tel: +61 8 8244 6000

ACT Distribution  
Tel: +61 2 6280 6476

### OFFICES - OVERSEAS

Waterco (Europe) Limited  
Sittingbourne, Kent, UK  
Tel: +44 (0) 1795 521 733

Waterco (USA) Inc  
Augusta, Georgia, USA  
Tel: +1 706 793 7291

Waterco Canada  
St Hyacinthe, Quebec, Canada  
Tel: +1 450 796 1421

Waterco (NZ) Limited  
Auckland, New Zealand  
Tel: +64 9 525 7570

Waterco (C) Limited  
Guangzhou, China  
Tel: +86 20 3222 2180

Waterco (Far East) Sdn Bhd  
Selangor, Malaysia  
Tel: +60 3 6145 6000

PT Waterco Indonesia  
Jakarta, Indonesia  
Tel: +62 21 4585 1481

Waterco Singapore Int'l Pte Ltd  
Nehsons Building, Singapore  
Tel: +65 6344 2378

Waterco France  
SAINT PRIEST, France.  
Tel: +33 4 72 79 33 30

## DISTRIBUTED BY:

**WATERCO**  
water, the liquid of life

