



HYDRON

SPLIT-TANK FILTERS

Established since 1981, Waterco is an Australian public listed company involved in the manufacture and distribution of:

- Swimming pool/spa equipment and chemicals
- Domestic water filters, softeners and purifiers
- Commercial and Industrial water treatment equipment.

Waterco's research & development team has created an innovative range of award winning products.

The company's advanced fibreglass winding and pioneering plastic moulding techniques have delivered premium quality products to over 40 countries via its branches operating in Australia, New Zealand, Malaysia, China, the United Kingdom, United States of America, Canada, Indonesia Singapore and France.



Designed for water treatment and commercial swimming pool facilities, built using the latest in gel coated fibreglass technology.

30
years
Since 1981

OFFICES - AUSTRALIA

NSW - Sydney (Head Office)
Tel: +61 2 9898 8600
QLD - Brisbane
Tel: +61 7 3299 9900
VIC/TAS - Melbourne
Tel: +61 3 9764 1211
WA - Perth
Tel: +61 8 9273 1900
SA/NT - Adelaide
Tel: +61 8 8244 6000
ACT Distribution
Tel: +61 2 6280 6476

OFFICES - OVERSEAS

Waterco (USA) Limited
Sittingbourne, Kent, UK
Tel: +44 (0) 1795 521 733
Waterco (USA) Inc
Augusta, Georgia, USA
Tel: +1 706 793 7291
Waterco Canada
St Hyacinthe, Quebec, Canada
Tel: +1 450 796 1421
Waterco (NZ) Limited
Auckland, New Zealand
Tel: +64 9 525 7570

Waterco (C) Limited
Guangzhou, China
Tel: +86 20 3222 2180

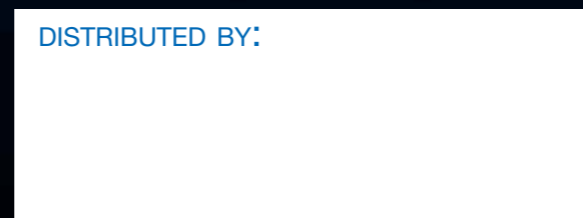
Waterco (Far East) Sdn Bhd
Selangor, Malaysia
Tel: +60 3 6145 6000

PT Waterco Indonesia
Jakarta, Indonesia
Tel: +62 21 4585 1481

Waterco Singapore Int'l Pte Ltd
Nehsons Building, Singapore
Tel: +65 6344 2378

Waterco France
SAINT PRIEST, France.
Tel: +33 4 72 79 33 30

DISTRIBUTED BY:



ZZB1502 07/12

WATERCO
water, the liquid of life



30
years
Since 1981

www.waterco.com

FIBREGLASS FILTERS

Fibreglass pressure tanks have a number of major advantages over steel tanks including:

- **Durability:** Fibreglass vessels have a mechanical and chemical resistance superior to steel, plus fibreglass does not rust or corrode and is able to withstand damage from many types of water treatment chemicals.
- **Lightweight:** Fibreglass tanks weigh only one third that of steel vessels, whilst maintaining the same level of strength. This makes them easy to ship and install.
- **Easy to Maintain:** Once installed they are virtually free of maintenance or repairs. This compares with steel vessels, which require the anti-corrosive coating to be maintained periodically, with certified welders required to make repairs to the lining with epoxy coating.

FEATURES OF THE SPLIT-TANK FILTER

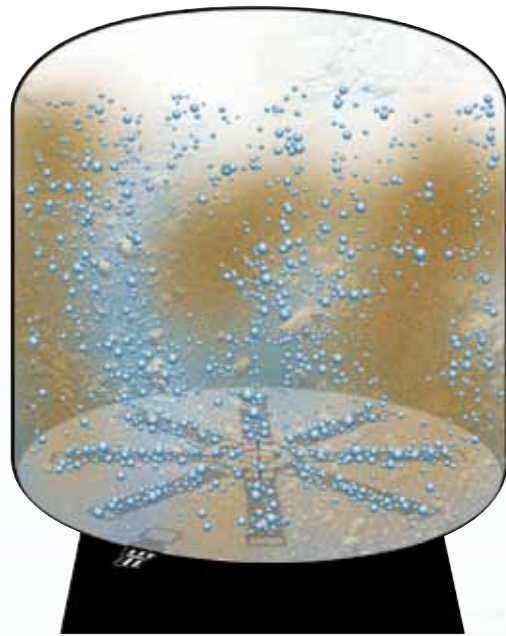
Ideal for Retrofitting

They can be delivered in two parts and assembled on site in the plant room. The two halves seal perfectly, using double o'ring and held together by a flange using bolt and nuts. The filter is specifically designed to fit through existing standard size plant room doors.



Waterco's "Fish Bones" Laterals

Hydron Split-Tank Filters features Waterco's "fish bones" lateral, which improves water flow distribution through the filter bed. Conventional laterals are not suitable for larger size commercial filters. Dead legs exist between the laterals, and the water flow is not optimised through the filter bed. Conversely, Waterco's "fish bones" lateral configuration eliminates any dead legs.



Conventional filter lateral system



Fish Bone lateral system

Flexible Configuration

The split tanks offer the same flexibility of Waterco's Commercial Filters; they are available with optional configurations of sight glasses and lateral manholes.

Unique Tank Port Connections

As a result of Waterco's proprietary boring method to enable tanks penetration and the flanged ring assembly, the inlet and outlet port are perfectly parallel to each other, therefore maintaining the external plumbing integrity.

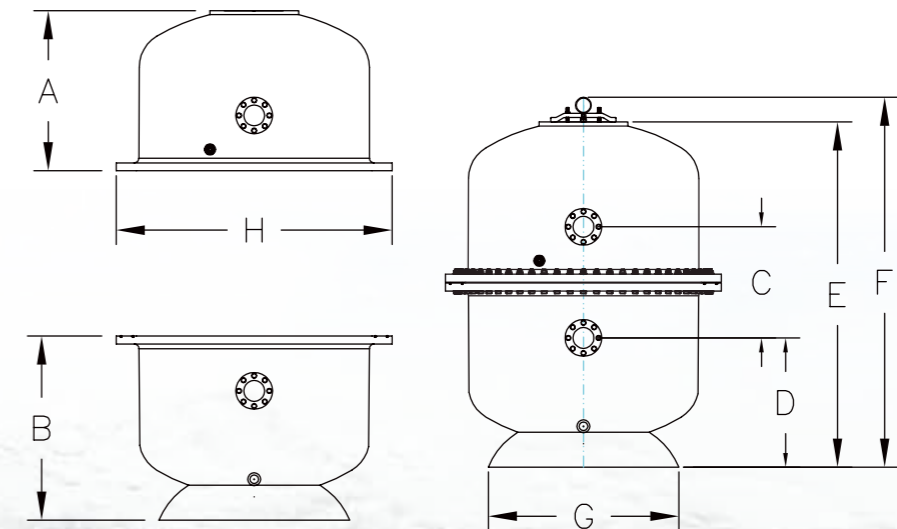


Technical Specifications

Model No:	Valve Size	Bed Depth		Inner Diameter		Filter Area		Filtration Flow Rates		Backwash Flow Rates	
		in	mm	in	mm	m ²	feet ²	30m ³ /hr/m ²	36m ³ /hr/m ²	40m ³ /hr/m ²	50m ³ /hr/m ²
										m ³ /hr	
SMDT 1200	3	1000	39.4	1200	47.3	1.13	12.18	34	41	45	57
SMDT 1400	4	1000	39.4	1400	55.2	1.54	16.58	46	55	62	77
SMDT 1600	4	1000	39.4	1600	63.0	2.01	21.66	60	72	80	101
SMDT 1800	6	1000	39.4	1800	70.9	2.54	27.41	76	92	102	127

Dimensions (mm)

Model	A	B	C	D	E	F	G	H
SMDT 1200	1010	1095	700	749	2088	2245	1045	1521
SMDT 1400	1008	1165	700	814	2170	2330	1200	1737
SMDT 1600	995	1130	700	829	2130	2285	1200	1943
SMDT 1800	1105	1100	700	789	2188	2355	1760	2105



* Please refer to Waterco's warranty terms and conditions.