

OPAL

Cartridge Filter

For crystal clear, sparkling water



The Opal cartridge filter provides sparkling clear water and requires minimal maintenance.

The filter's screw on lock ring allows easy access to the filter cartridge for removal, cleaning and installation in a matter of minutes.

Rugged Construction

Constructed from high impact polypropylene and designed for easy maintenance, Opal Cartridge filters provide years of trouble free service.



Air relief valve.

Easy to read pressure gauge.

Hand operated lid lock ring, allowing simple cartridge removal and replacement.

Solid one piece moulded polymer tank. Low profile for easy cartridge removal and inconspicuous enclosure.

Tough heavy duty polyester filter fabric with wide and deep pleats for better filter efficiency, easy cleaning and longer cartridge life.

50mm quick connect barrel unions for UPVC pipe.

Pleated Filter Cartridge

The Opal's Filter Cartridges are fabricated from pleated reusable polyester fabric. The media has been pleated to provide 12.5 to 16.7 square metres of surface area in order to maximise the cartridge dirt holding capacity and extend the time between cleaning.

Material: Polyester Fabric material, Vinyl Plastisol end caps and a Polypropylene core

Operating Temperature: 4°C to 50°C **Maximum Pressure Drop:** 20 kPa

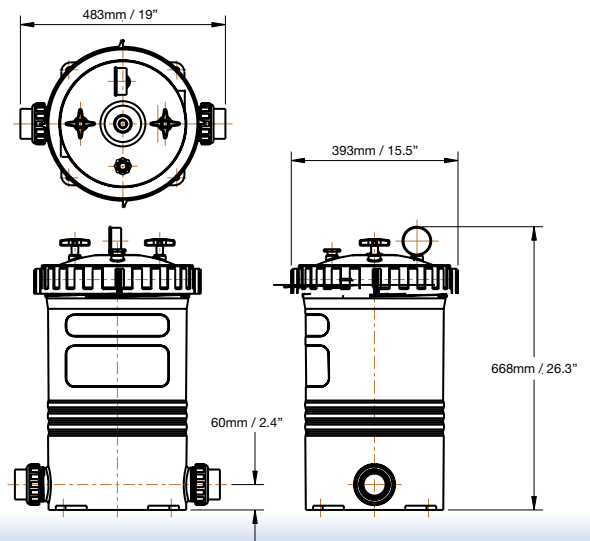


Simple Maintenance

The filter cartridge is easily cleaned by hosing the pleats with a standard garden hose.

Technical Specification

Model	Filter Area		Max Flow Rate	Working Pressure		Max Pool Size
	(m ²)	(ft ²)		kPa	psi	
Opal 135	12.5	135	510	350	50	183,600
Opal 180	16.7	180	510	350	50	183,600



Warranty

Waterco is proud to show its absolute confidence in its range of Opal Cartridge Filters by offering a 10 year (5+5) tank warranty and 1 year warranty on all other components. Commercial applications attract a 1 year tank warranty.

OFFICES - AUSTRALIA

NSW - Sydney (Head Office)
Tel: +61 2 9898 8600
QLD - Brisbane
Tel: +61 7 3299 9900
VIC/TAS - Melbourne
Tel: +61 3 9764 1211
WA - Perth
Tel: +61 8 9273 1900
SA/NT - Adelaide
Tel: +61 8 8244 6000
ACT Distribution
Tel: +61 2 6280 6476

OFFICES - OVERSEAS

Waterco (Europe) Limited
Sittingbourne, Kent, UK
Tel: +44 (0) 1795 521 733
Waterco (USA) Inc
Augusta, Georgia, USA
Tel: +1 706 793 7291
Waterco Canada
St Hyacinthe, Quebec, Canada
Tel: +1 450 796 1421
Waterco (NZ) Limited
Auckland, New Zealand
Tel: +64 9 525 7570

Waterco (C) Limited
Guangzhou, China
Tel: +86 20 3222 2180

Waterco (Far East) Sdn Bhd
Selangor, Malaysia
Tel: +60 3 6145 6000
PT Waterco Indonesia
Jakarta, Indonesia
Tel: +62 21 4585 1481

Waterco Singapore Int'l Pte Ltd
Nehsons Building, Singapore
Tel: +65 6344 2378

Waterco Singapore Int'l Pte Ltd
Nehsons Building, Singapore
Tel: +65 6344 2378

Waterco France
SAINT PRIEST, France.
Tel: +33 4 72 79 33 30

DISTRIBUTED BY:

WATERCO
water, the liquid of life

