

# Pool Maintenance Accessories

Designed for many years of functional use, Waterco pool accessories are manufactured from the highest quality U.V. stabilised plastics.



## Pool Maintenance Accessories



### Leaf Skimmer

Ideal for leaves and debris that float on top of the pool.



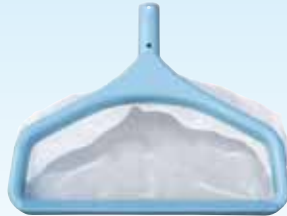
### Leaf Skimmer Deluxe

This deluxe leaf skimmer is designed to improve leaf and debris pickup.



### Leaf Rake

Ideal for picking up leaves and debris from the surface and the floor of the pool.



### Leaf Rake Deluxe

Ideal for picking up large debris from the surface and the swimming pool floor. The rake's leading edge lifts up debris and flicks it into the net.

- Heavy duty frame



### Algae Brush

Designed to cut open the hard membranes of "Black Spot" algae so that an algacide can effectively kill the algae.



### Pool Broom

With no sharp edges and easy to brush bristles, this pool broom is ideal for brushing the pool's walls to dislodge algae and dirt.



### Pool Broom Deluxe

With no sharp edges and long life Nylon bristles, this pool broom is ideal for brushing the pool's walls to dislodge algae and dirt.

- Long life nylon bristles



### Brush Vacuum Head

Designed with rounded edges and bristles for vinyl pools, this Brush Vacuum Head will brush as well as vacuum the pool floor.



### Flexible Vacuum Head

Weighted for optimum hydraulic balance and ease of use, this flexible vacuum head allows you to vacuum dirt and leaves quickly and efficiently from the pool floor.



### Floating Tablet Dispenser

Designed for use with slow dissolving chlorine or bromine tablets.

- Large float chamber • Threaded cap



### Telescopic Handle 4-8ft & 8-16ft

These extendable Aluminium poles are designed for either small or large pools, allowing easy access to every part of your pool with a vacuum head or leaf head. The pole uses a standard internal Surelock Cam system to lock the pole at various lengths.

### Waterco Test Kits

The test kits utilise the latest in tablet test technology using quick dissolving DPD Chlorine test tablets for accurate results.

DPD 2 in 1 Test Kit (31405)  
Convenient duo test kit for free chlorine and pH testing.



DPD 4 in 1 Test Kit (31410)  
Convenient 4 in 1 test kit for available chlorine/bromine, pH level, alkalinity and acid demand.



### Premium Vacuum Hose 38mm diameter.

These Premium Vacuum Hoses are spirally wound and frequently welded for heavy duty use and long life. The free spinning swivel cuffs eliminate tangles and kinks.

- 9 metre length (31009)
- 11 metre length (31011)
- 13 metre length (31013)
- 15 metre length (31015)



### OFFICES - AUSTRALIA

NSW - Sydney (Head Office)  
Tel: +61 2 9898 8600  
QLD - Brisbane  
Tel: +61 7 3299 9900  
VIC/TAS - Melbourne  
Tel: +61 3 9764 1211  
WA - Perth  
Tel: +61 8 9273 1900  
SA/NT - Adelaide  
Tel: +61 8 8244 6000  
ACT Distribution  
Tel: +61 2 6280 6476

### OFFICES - OVERSEAS

Waterco (Europe) Limited  
Sittingbourne, Kent. UK  
Tel: +44 (0) 1795 521 733  
Waterco (USA) Inc  
Augusta, Georgia, USA  
Tel: +1 706 793 7291  
Waterco Canada  
St Hyacinthe, Quebec, Canada  
Tel: +1 450 796 1421  
Waterco (NZ) Limited  
Auckland, New Zealand  
Tel: +64 9 525 7570

Waterco (C) Limited  
Guangzhou, China  
Tel: +86 20 3222 2180

Waterco (Far East) Sdn Bhd  
Selangor, Malaysia  
Tel: +60 3 6145 6000

PT Waterco Indonesia  
Jakarta, Indonesia  
Tel: +62 21 4585 1481

Waterco Singapore Intl Pte Ltd  
Nehsons Building, Singapore  
Tel: +65 6344 2378

### DISTRIBUTED BY:

**WATERCO**  
water, the liquid of life



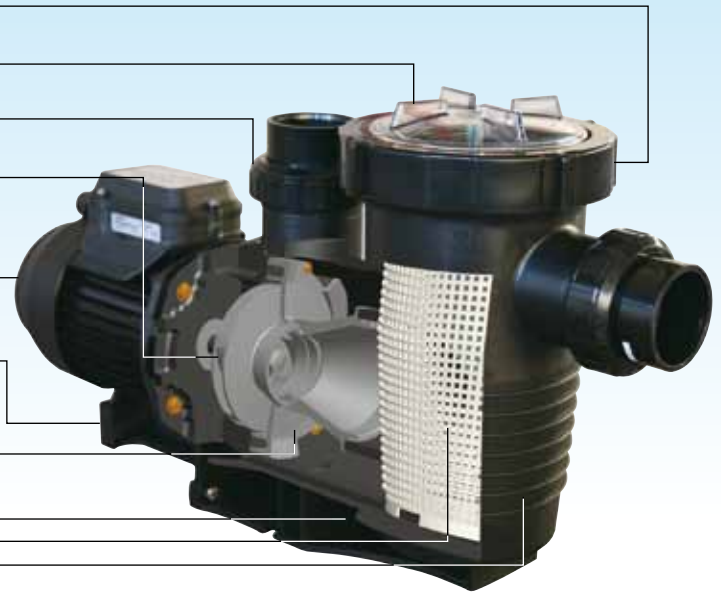
## Efficient Impeller and Diffuser Design

The pump's impeller and diffuser design maximizes the hydraulic output of the pump while minimising turbulence. The pump's efficient hydraulic performance shortens run times and reduces energy consumption leading to lower operating cost.

## Engineered Durability

The pump body is manufactured utilising state of the art engineering plastic moulding with a single piece strainer pot and volute for extra strength.

- Innovative lid and lock ring for easy access
- Clear pump lid - enables easy identification of cleaning requirements
- 50mm quick connect barrel unions for UPVC pipe
- High grade carbon/graphite mechanical seal with 316 stainless steel spring assembly
- High performance motor:
  - IP55 rating
  - Fan cooled
  - Thermal overload protection
  - Motor shaft 431 grade stainless steel
- Stable support base
- Impeller / diffuser – glass filled Noryl
- UV stabilised and corrosion resistant
- Extra large 2.25lt strainer basket – captures debris and protects the pump's impeller
- Strong single piece glass filled thermoplastic pump body

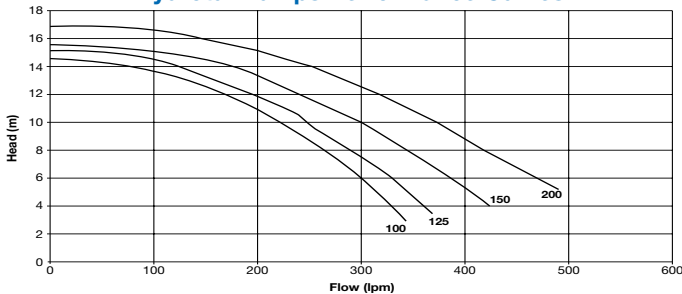


## Technical Specifications

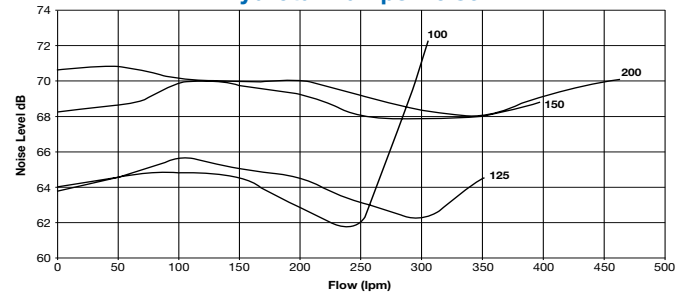
Model	Flow rate (lpm)		Nominal Power (hp)	Motor input (kW)	Amps	Weight (kg)	Total Length	Motor Frame	Pump Rating
	8m	10m							
Hydrotuf 100	225	190	1.00	0.86	4.0	9.60	651	71	IPX5
Hydrotuf 125	280	240	1.25	0.95	4.0	9.60	651	71	IPX5
Hydrotuf 150	325	285	1.50	1.10	4.7	12.60	691	80	IPX5
Hydrotuf 200	400	355	2.00	1.50	6.8	12.60	691	80	IPX5

Phase	Volts	Cycle	RPM
1	220-240	50	2860

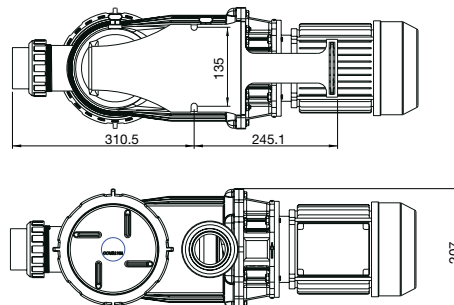
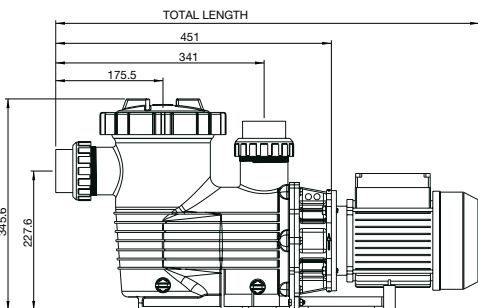
## Hydrotuf Pumps Performance Curves



## Hydrotuf Pumps Noise



## Dimensions



## Warranty

Pumps	3 years (conditional)*
Wet End	3 years
Motor, mechanical seal, hair & lint pot lid, o'ring, basket, impeller & diffuser	2 years
Commercial applications	1 year
Labour	1 year

\* Please refer to Waterco's warranty terms and conditions

### OFFICES - AUSTRALIA

NSW - Sydney (Head Office)  
Tel: +61 2 9898 8600  
QLD - Brisbane  
Tel: +61 7 3299 9900  
VIC/TAS - Melbourne  
Tel: +61 3 9764 1211  
WA - Perth  
Tel: +61 8 9273 1900  
SA/NT - Adelaide  
Tel: +61 8 8244 6000  
ACT Distribution  
Tel: +61 2 6280 6476

### OFFICES - OVERSEAS

Waterco (Europe) Limited  
Sittingbourne, Kent. UK  
Tel: +44 (0) 1795 521 733  
Waterco (USA) Inc  
Augusta, Georgia, USA  
Tel: +1 706 793 7291  
Waterco Canada  
St Hyacinthe, Quebec, Canada  
Tel: +1 450 796 1421  
Waterco (NZ) Limited  
Auckland, New Zealand  
Tel: +64 9 525 7570

Waterco (C) Limited  
Guangzhou, China  
Tel: +86 20 3222 2180

Waterco (Far East) Sdn Bhd  
Selangor, Malaysia  
Tel: +60 3 6145 6000

PT Waterco Indonesia  
Jakarta, Indonesia  
Tel: +62 21 4585 1481

Waterco Singapore Intl Pte Ltd  
Nehsons Building, Singapore  
Tel: +65 6344 2378

## DISTRIBUTED BY:

**WATERCO**  
water, the liquid of life

