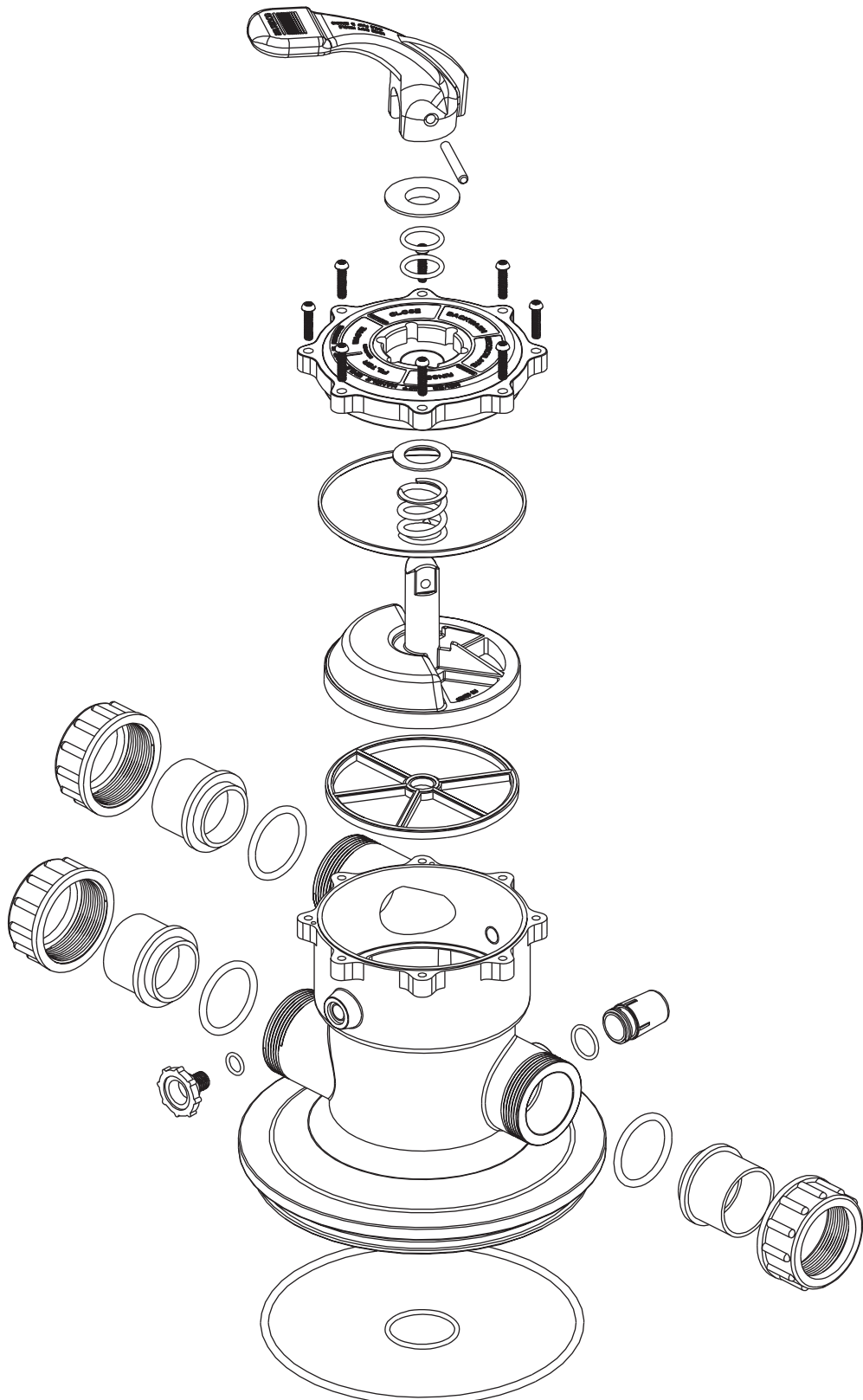


WATERCO

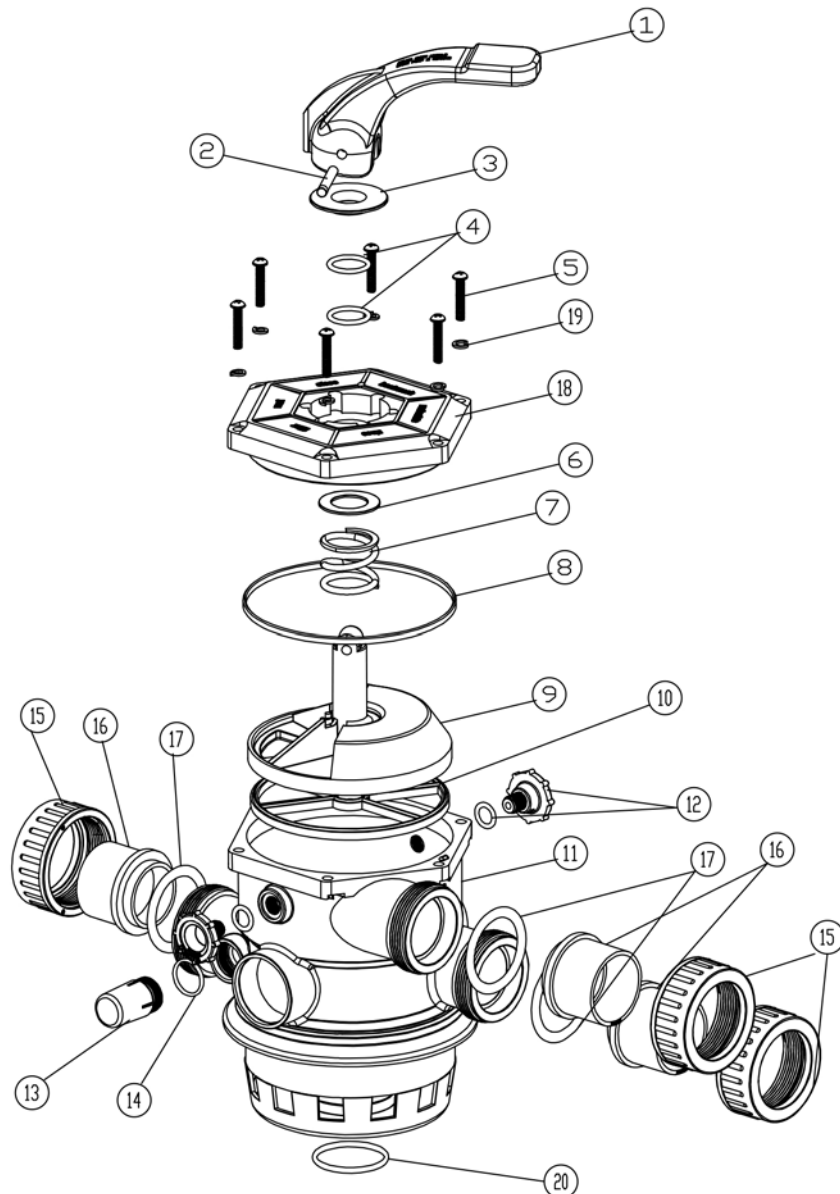
Spare Parts Catalogue



1 1/2" / 50mm Clamp Type 6"

Product Code: 2280424

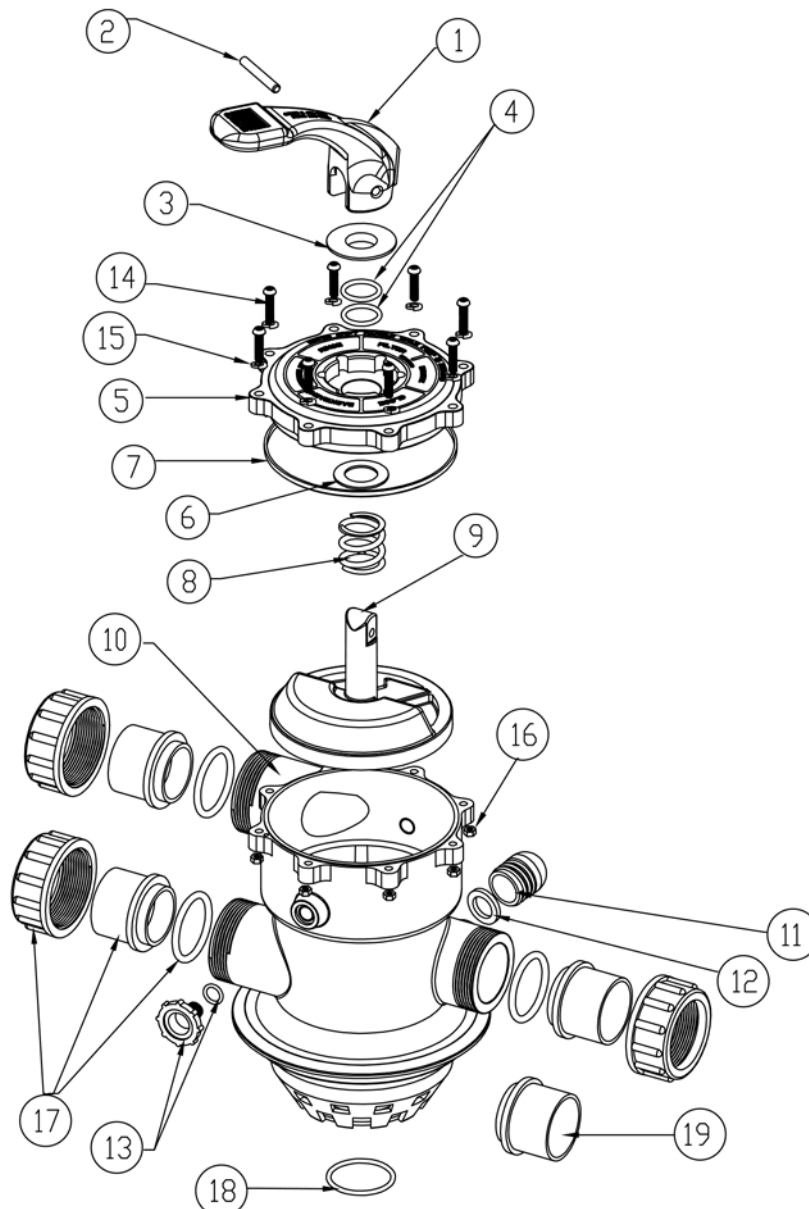
Part Number	Product Description	Diagram No.	LIST PRICE
6214511	MPV 1 1/2"/50mm mm Handle Waterco	1	34.53 €
621111	MPV 1 1/2"/50mm Handle Pin	2	5.32 €
621452	MPV 1 1/2"/50mm Teflon Ring	3	POA
6214572	MPV 1 1/2"/50mm Axel O'Ring K (Qty 2 required)	4	POA
6214642	MPV 6 Way 1 1/2"/50mm Screw 1/4"X28 P/H M/C w S/W (Qty 6 required)	5	POA
621455	Valve Teflon Ring 1 1/2"/ 50mm MPV	6	7.12 €
6214562	MPV 1 1/2"/50mm Spring	7	POA
621454	MPV 1 1/2"/50mm Top Cover Gasket	8	10.70 €
621458	MPV 1 1/2"/50mm Rotor	9	POA
6214472	MPV Body 1 1/2"/50mm Complete W/spider gasket	11	POA
620221	Air Relief Valve new style - black (Qty 2 required)	12	6.56 €
621463	MPV 1 1/2" Sight Glass	13	21.95 €
621462	MPV 1 1/2"/50mm Sight Glass Gasket	14	7.36 €
644496	B/U Locking Nut 1 1/2"/50mm - black (Qty 3 required)	15	POA
644494	B/U P/End Slip/Slip 1 1/2"/50mm - black (Qty 3 required)	16	POA
6214502	O'Ring 1 1/2"/50mm B/U EPDM (Qty 3 required)	17	POA
621453	MPV 1 1/2"/50mm Top Cover	18	POA
6214642	SPG Washer14 80-1212 (Qty 6 required)	19	POA
6214502	O'Ring 1 1/2"/50mm AS328	20	POA
6214642	Nut 1/4" SS304		POA



1 1/2" / 50mm Clamp Type 6"

Product Code: 22804456EUM

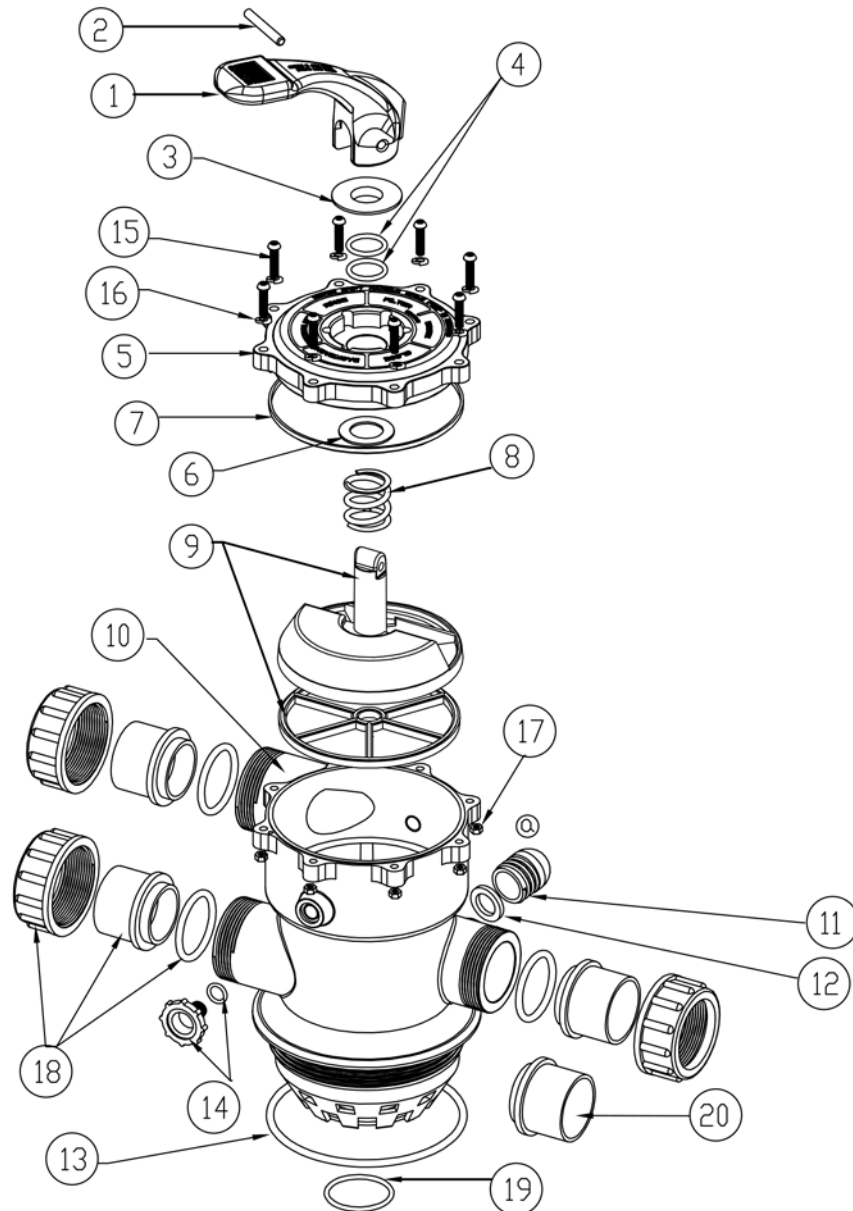
Part Number	Product Description	Diagram No.	LIST PRICE
6214511	MPV 1 1/2"/50mm Handle	1	34.53 €
621111	MPV 1 1/2"/50mm Handle Pin	2	5.32 €
6214520	MPV 1 1/2"/50mm Washer Top Cover MK3 WCO	3	9.60 €
621457	MPV 1 1/2"/50mm Axel O'Ring AS214 Qty 2 required)	4	6.64 €
6214672	MPV 40 6W T/Cvr MK2	5	70.04 €
6214550	MPV 1 1/2"/50mm Washer Rotor Axle MK3 WCO	6	POA
621454	MPV 1 1/2"/50mm Top Cover Gasket	7	10.70 €
621456	MPV 1 1/2"/50mm Spring	8	14.23 €
6214582	MPV 40 Rotor W GSK MK2	9	58.25 €
6214451	MPV TM 1 1/2"/50mm Body Clamp 6 Way MK3 Assy	10	POA
621381	MPV 2" Sight Glass	11	24.51 €
621341	MPV 2" Sight Glass Gasket	12	8.00 €
620221	Air Relief VLV NEW-B	13	6.56 €
W22567	Bolt M6X35P/H M/C A2 (Qty 8 required)	14	POA
W12782	Washer M6 Flat SS304 (Qty 8 required)	15	0.61 €
W22040	Nut Hex M6 S/S304 (Qty 8 required)	16	POA
122243B	H/Union 1 1/2"/50mm w O'Ring - Black (Qty 3 required)	17	7.31 €
W02691	O'Ring 40MPV 4W AS225	18	18.69 €
64449B	B/U P/End 50MET - Black E (Qty 3 required)	19	2.96 €



1 1/2" / 50mm Thread Type

Product Code: 22804416EUM

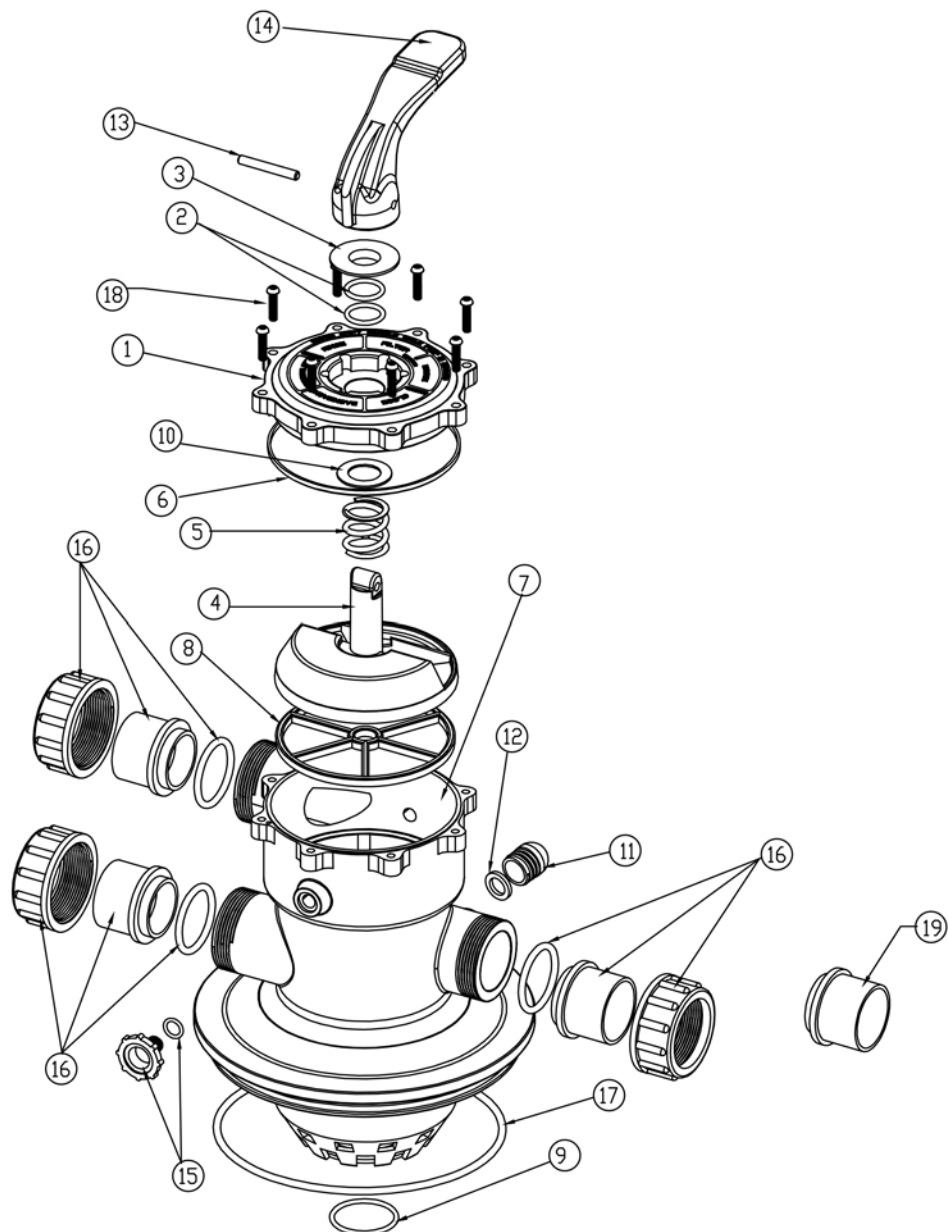
Part Number	Product Description	Diagram No.	LIST PRICE
6214511	MPV 1 1/2"/50mm Handle	1	34.53 €
621111	MPV 1 1/2"/50mm Handle Pin	2	5.32 €
6214520	MPV 1 1/2"/50mm Washer Top Cover MK3 WCO	3	9.60 €
621457	MPV 1 1/2"/50mm Axel O'Ring AS214 (K) Qty 2 required)	4	POA
6214672	MPV 1 1/2" 6W T/Cvr MK2	5	POA
6214550	MPV 1 1/2"/50mm Washer Rotor Axle MK3 WCO	6	POA
621454	MPV 1 1/2"/50mm Top Cover Gasket	7	POA
621456	MPV 1 1/2"/50mm Spring	8	POA
6214582	MPV 1 1/2" Rotor W GSK MK2	9	POA
6214411	MPV TM 1 1/2" Body 6W E/T MK3	10	POA
621381	MPV 2"/63mm Sight Glass	11	24.51 €
621341	MPV 2"/63mm Sight Glass Gasket	12	8.00 €
W02068	Top Cvr O'Ring P-145	13	12.45 €
620221	Air Relief VLV NEW-B	14	6.56 €
W22567	Bolt M6X35P/H M/C A2 (Qty 8 required)	15	POA
W12783	Washer M6 Spring SS304 (Qty 8 required)	16	0.61 €
W22040	Nut Hex M6 S/S304 (Qty 8 required)	17	POA
122243B	H/Union 1 1/2"/50mm w O'Ring - Black (Qty 3 required)	18	7.31 €
W02691	O'Ring 40mm 4W AS225	19	18.69 €
64449B	B/U P/End 50MET - Black E (Qty 3 required)	20	2.96 €



1 1/2" / 50mm Collar Type

Product Code: 2280443EUM

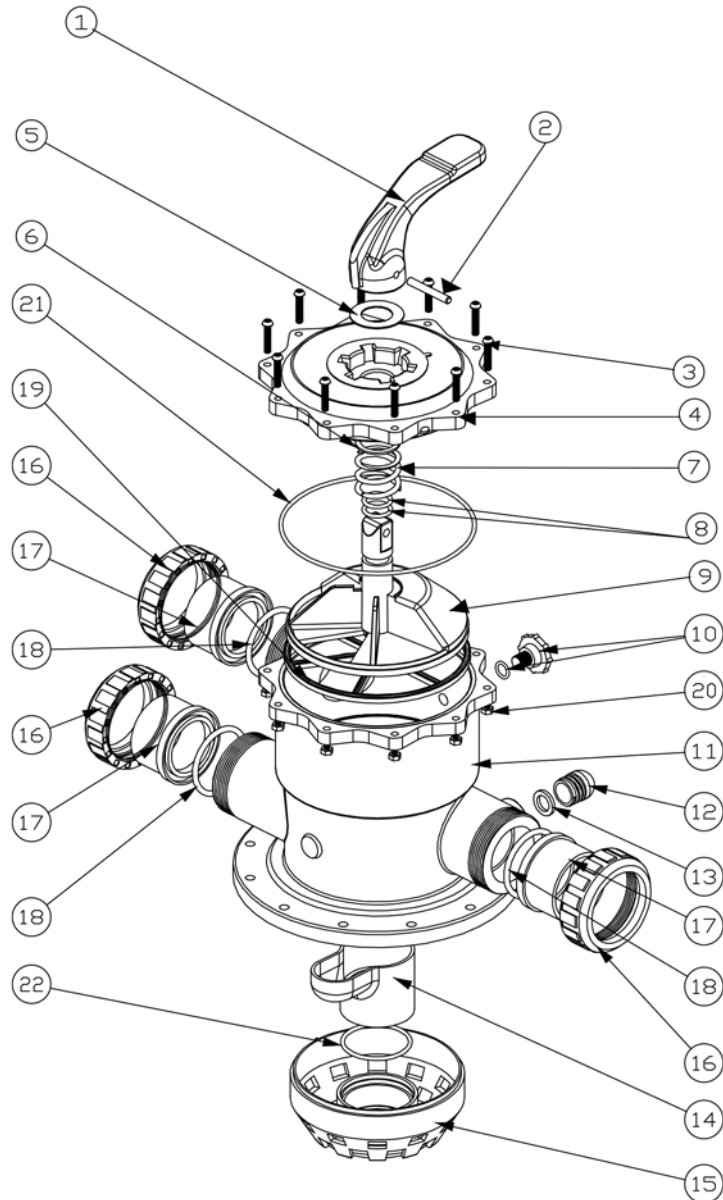
Part Number	Product Description	Diagram No.	LIST PRICE
6214672	MPV 1 1/2" 6 Way Top Cover MKII	1	POA
621457	MPV 40mm Axel O'Ring AS214 Qty 2 required)	2	POA
621452	MPV 40mm Teflon Ring	3	POA
621458	MPV 40mm Rotor	4	POA
621456	MPV 40mm Spring	5	POA
621454	MPV 40mm Top Cover Gasket	6	POA
621443	MPV TM 40mm Collar Body Assy Ext THRD	7	POA
6214601	MPV 40 TP40Spider GSK WM 6 WY Top Cover MKII	8	POA
W02691	O'Ring 40mm 4W AS225	9	18.69 €
621455	Valve Teflon Ring - 40mm MPV	10	POA
621381	MPV 2" Sight Glass	11	24.51 €
621341	MPV 2" Sight Glass Gasket	12	8.00 €
621111	MPV 1 1/2"/50mm Handle Pin	13	5.32 €
6214511	MPV 40/50/60mm Handle Extron	14	34.53 €
620221	Air Relief Valve New Style - Black	15	6.56 €
122243B	H/Union 1 1/2"/50mm w O'Ring - Black (Qty 3 required)	16	7.31 €
W02933	10" Side Mount Lid 'O' Ring	17	22.59 €
W02758	MPV 6 Way 40mm Screw 1/4"X28 P/H M/C wS/W (Qty 8 required)	18	POA
64449B	B/U P/End 50MET - Black E (Qty 3 required)	19	2.96 €



2"/ 63mm 12 - Stud Bolt-on Type

Product Code: 22804416EUM

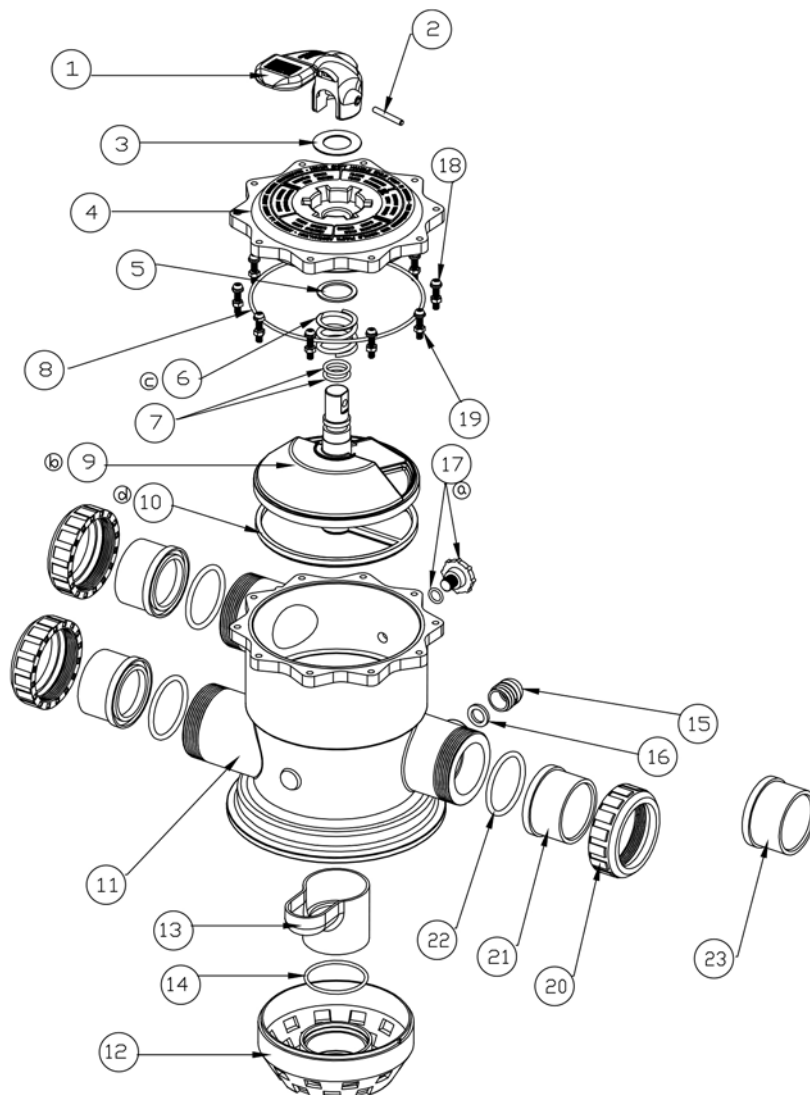
Part Number	Product Description	Diagram No.	LIST PRICE
6214511	MPV 2"/63mm Handle Extron	1	34.53 €
621111	MPV 2"/63mm Handle Pin	2	5.32 €
6211303	MPV 2"/63mm Lid MK2 WCO M/C	4	POA
621181	MPV 2"/63mm Spring	7	POA
621201	MPV 2"/63mm Valve Axle O'Ring (Qty 2 required)	8	6.99 €
621231	MPV 2"/63mm Rotor	9	POA
620221	Air Relief Valve New Style - Black	10	6.56 €
W02617	MPV 2"/63mm Body 12 Stud Male	11	POA
621381	MPV 2" Sight Glass	12	24.51 €
621341	MPV 2"/63mm Sight Glass Gasket	13	8.00 €
W02626	MPV 2"/63mm Adapter	14	POA
W02625	MPV 2"/63mm Diffuser	15	POA
W02083BLK	B/U Locking Nut 2"/63mm - Black (Qty 3 required)	16	4.09 €
W02081BLK	B/U P/end Slip/Slip 2"/63mm - Black (Qty 3 required)	17	3.03 €
W02280	O'Ring 2"/63mm B/U Nitrile (Qty 3 required)	18	3.87 €
621261	MPV 2"/63mm Spider Gasket (Qty 3 required)	19	POA
6340062	Nut Hex M6 Brass NI/Plated (Qty 10 required)	20	0.57 €
621151	MPV 2"/63mm Top O'Ring	21	POA
621320	MPV 2"/63mm Diffuser O'Ring	22	8.57 €



2"/ 63mm Clamp Type 8

Product Code: 228058EUM

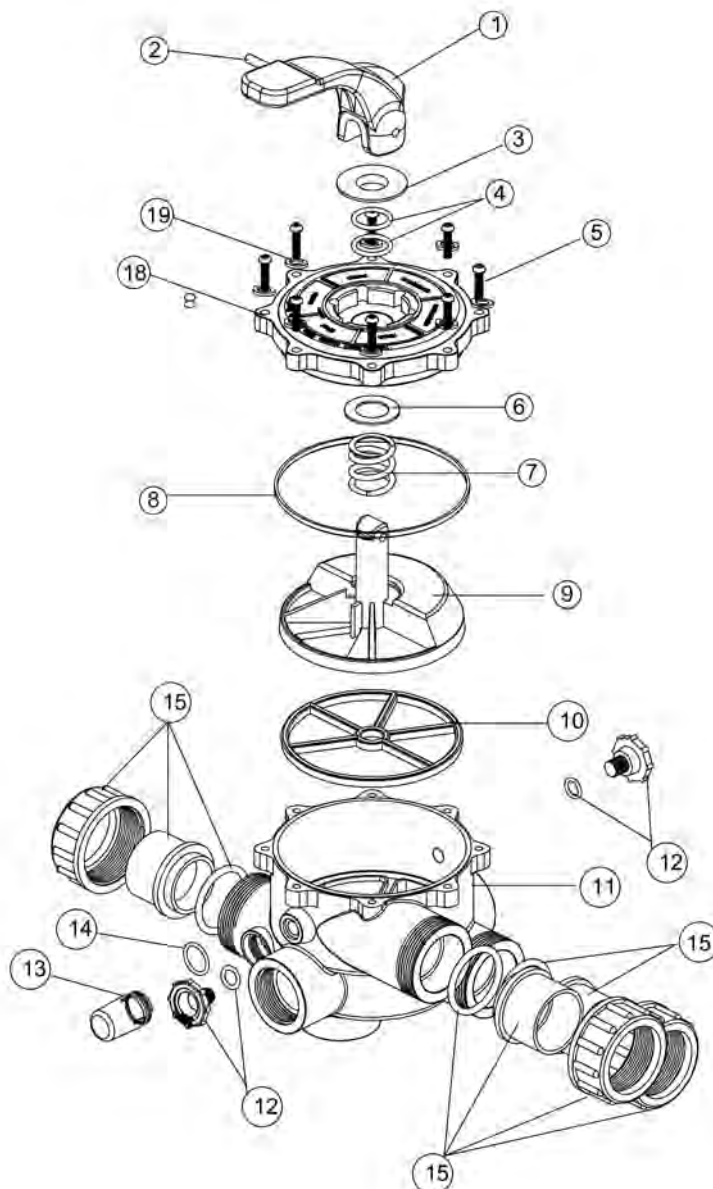
Part Number	Product Description	Diagram No.	LIST PRICE
6214511	MPV 2"/63mm Handle Extron	1	34.53 €
621111	MPV 2"/63mm Handle Pin	2	5.32 €
6211303	MPV 2"/63mm Lid MK2 WCO M/C	4	POA
621183	MPV 2"/63mm Spring 3.5 Coil Wire DIA 5.5mm	6	POA
621201	MPV 2"/63mm Valve Axle O'Ring (Qty 2 required)	7	POA
621151	MPV 2"/63mm Top O'Ring	8	POA
621237	Rotor & Gasket 70 Shore A MPV 2" / 63mm MKII WCO		POA
W32020	MPV 2"/63mm Rotor MKII M/C	9	POA
W32230	MPV 2"/63mm Spider Gasket 70 shore MKII	10	POA
621305	MPV TM 2" / 63mm Body Assy 8" Clamp MKII WCO		POA
620221	Air Relief Valve New Style - Black		6.56 €
W44511	MPV 2"/63mm Body 8" Clamp MKII M/C	11	POA
W22480	MPV 2"/63mm Diffuser MKII	12	POA
W22481	MPV 2"/63mm Adapter MKII	13	POA
621320	MPV 2"/63mm Diffuser O'Ring	14	8.57 €
621381	MPV 2"/63mm Sight Glass	15	24.51 €
621341	MPV 2"/63mm Sight Glass Gasket	16	8.00 €
620221	Air Relief Valve New Style - Black (Qty 2 required)	17	6.56 €
6340062	Nut Hex M6 Brass Ni/Plated (Qty 10 required)	19	0.57 €
W02083BLK	B/U Locking Nut 2"/63mm - Black (Qty 3 required)	20	4.09 €
W02081BLK	B/U P/end Slip/Slip 2" - Black (Qty 3 required)	21	3.03 €
W02280	O'Ring 2"/63mm B/U Nitrile (Qty 3 required)	22	3.87 €
6340244B	B/U Plain End Slip/Slip 63mm Metric - Black (Qty 3 required)	23	3.03 €



1 1/2" / 50mm MPV

Product Code: 2290422

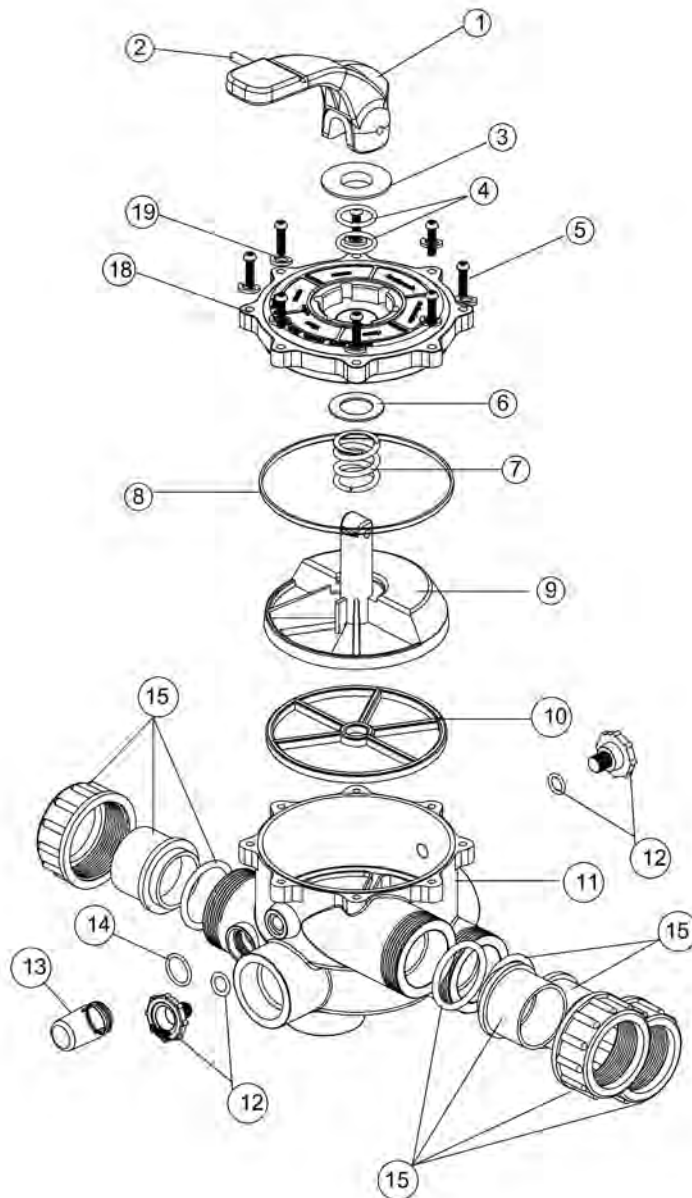
Part Number	Product Description	Diagram No.	LIST PRICE
621514	MPV 40mm Handle	1	POA
621111	MPV 40mm /50mm Handle Pin	2	5.32 €
621452	MPV 40mm Teflon Ring	3	POA
6214572	MPV 40mm Axel O'Ring (Qty 2 required)	4	POA
621455	Valve Teflon Ring 40mm MPV	7	POA
6214562	MPV 40mm Spring	8	POA
621454	MPV 40mm Top Cover Gasket	9	POA
621458	MPV 40mm Rotor	10	POA
621460	MPV TM 40mm Spider Gasket	11	POA
6214604	MPV SM Body 40mm SF Male/Female BSP	12	POA
620221	Air Relief Valve New Style - Black (Qty 2 required)	13	6.56 €
621463	MPV 1 1/2" Sight Glass	14	POA
621462	MPV 40mm Sight Glass Gasket	15	POA
122246	H/Union 40mm W/O'Ring SM MPV (Qty 3 required)	15	POA
644496	B/U Locking Nut 40mm - Black (Qty 3 required)	15	POA
644494	B/U P/end Slip/Slip 40mm - Black (Qty 3 required)	15	POA
64449B	B/U Plain End Slip/Slip 50mm Metric - Black (Qty 3 required)	15	2.96 €
6214502	O'Ring 40mm B/U EPDM	15	POA
621467	MPV 40mm 6 Way Top Cover 4 languages	18	POA



1 1/2" / 50mm Bead Filter

Product Code: 229042

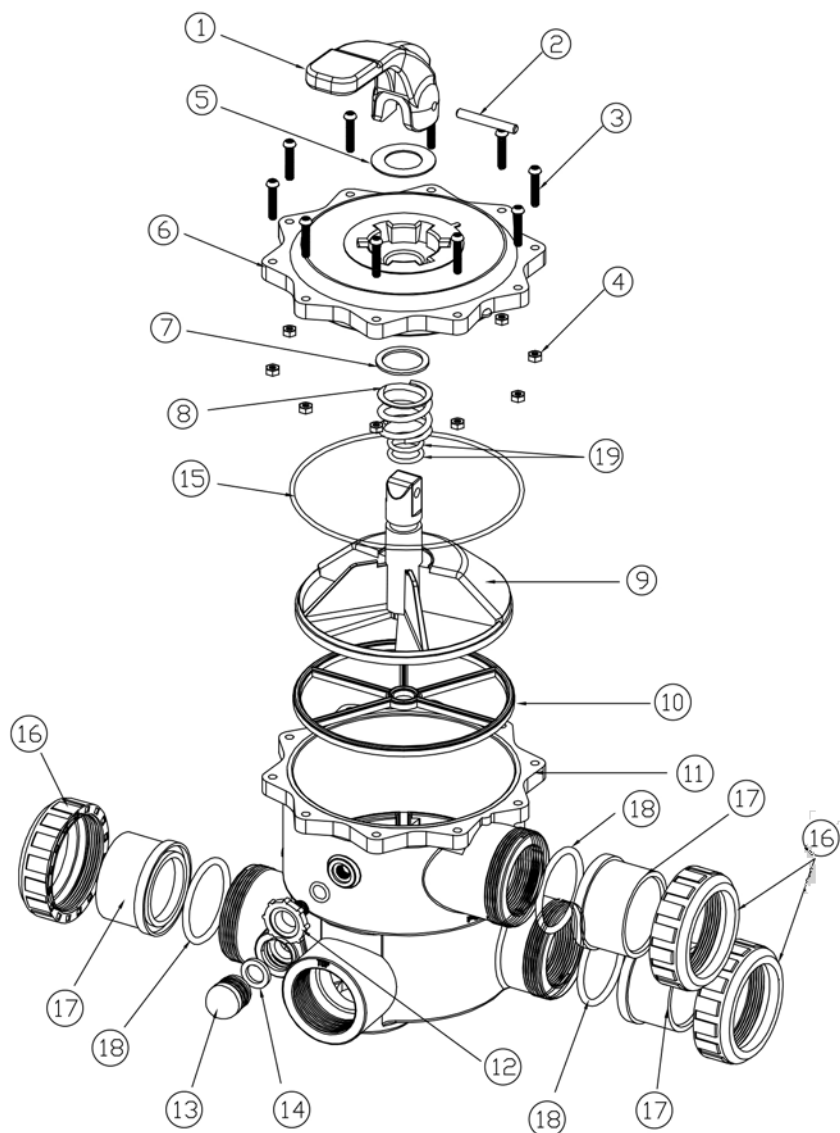
Part Number	Product Description	Diagram No.	LIST PRICE
621514	MPV 40mm Handle	1	POA
621111	MPV 40mm/50mm Handle Pin	2	5.32 €
621452	MPV 40mm Teflon Ring	3	POA
6214572	MPV 40mm Axel O'Ring (Qty 2 required)	4	POA
621455	Valve Teflon Ring 40mm MPV	7	POA
6214562	MPV 40mm Spring	8	POA
621454	MPV 40mm Top Cover Gasket	9	POA
621458	MPV 40mm Rotor	10	POA
621460	MPV TM 40mm Spider Gasket	11	POA
6214604	MPV SM Body 40mm SF Male/Female BSP	12	POA
620221	Air Relief Valve New Style - Black (Qty 2 required)	13	6.56 €
621463	MPV 40mm Sight Glass	14	POA
621462	MPV 40mm Sight Glass Gasket	15	POA
122246	H/Union 40mm W/O'Ring SM MPV (Qty 3 required)	15	POA
644496	B/U Locking Nut 40mm - Black (Qty 3 required)	15	POA
644494	B/U P/end Slip/Slip 40mm - Black (Qty 3 required)	15	POA
6214502	O'Ring 40mm B/U EPDM	18	POA
621467	MPV 40mm 6 Way Top Cover MKII	19	POA



2"/ 63mm MPV

Product Code: 2290512EURO

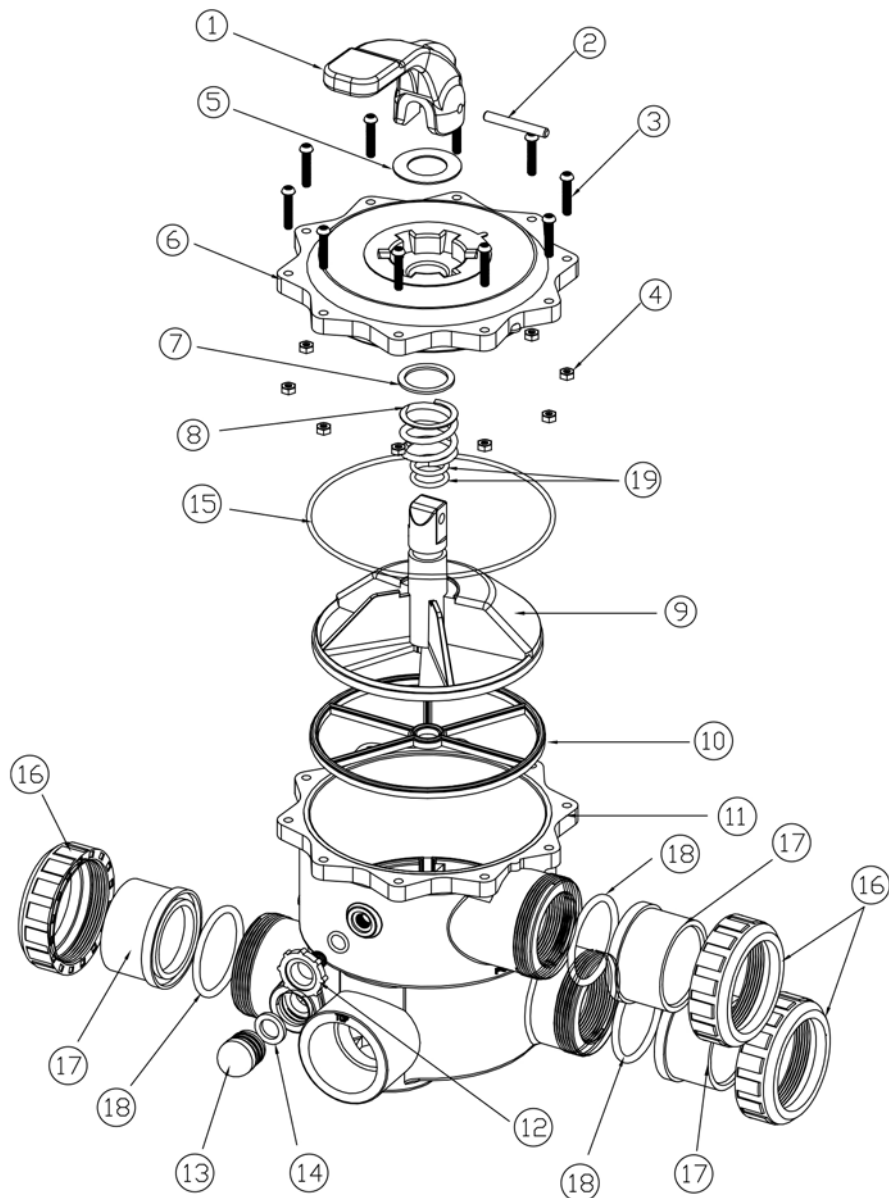
Part Number	Product Description	Diagram No.	LIST PRICE
6214511	MPV 40/50/63mm Handle Extron	1	34.53 €
621111	MPV 40mm / 50mm Handle Pin	2	5.32 €
W02624	MPV 50mm Lid Nut M6x30 W (Qty 10 required)	4	POA
6211303	MPV 50mm Lid MKII WCO M/C	6	POA
621161	MPV 50mm Rotor Washer Sml	7	POA
621181	MPV 50mm Spring	8	POA
621231	MPV 50mm Rotor	9	POA
W12040	MPV SM50mm Body SF INT THRD	11	POA
W12041	MPV SM50mm Body DE INT THRD	11	POA
620221	Air Relief Valve New Style - Black (Qty 2 required)	12	6.56 €
621381	MPV 50mm Sight Glass	13	POA
621151	MPV 50mm Top O'Ring	15	POA
W02083BLK	B/U Locking Nut 50mm - Black (Qty 3 required)	16	4.09 €
W02081BLK	B/U P/End Slip/Slip 50mm - Black (Qty 3 required)	17	3.03 €
6340244B	B/U P/End Slip/Slip 63mm Metric - Black (Qty 3 required)	17	3.03 €
W02280	O'Ring 50mm B/U Nitrile (Qty 3 required)	18	3.87 €
621201	MPV 50mm Valve Axle O'Ring (Qty 2 required)	19	POA



2"/ 63mm Bead Filter MPV

Product Code: 229052

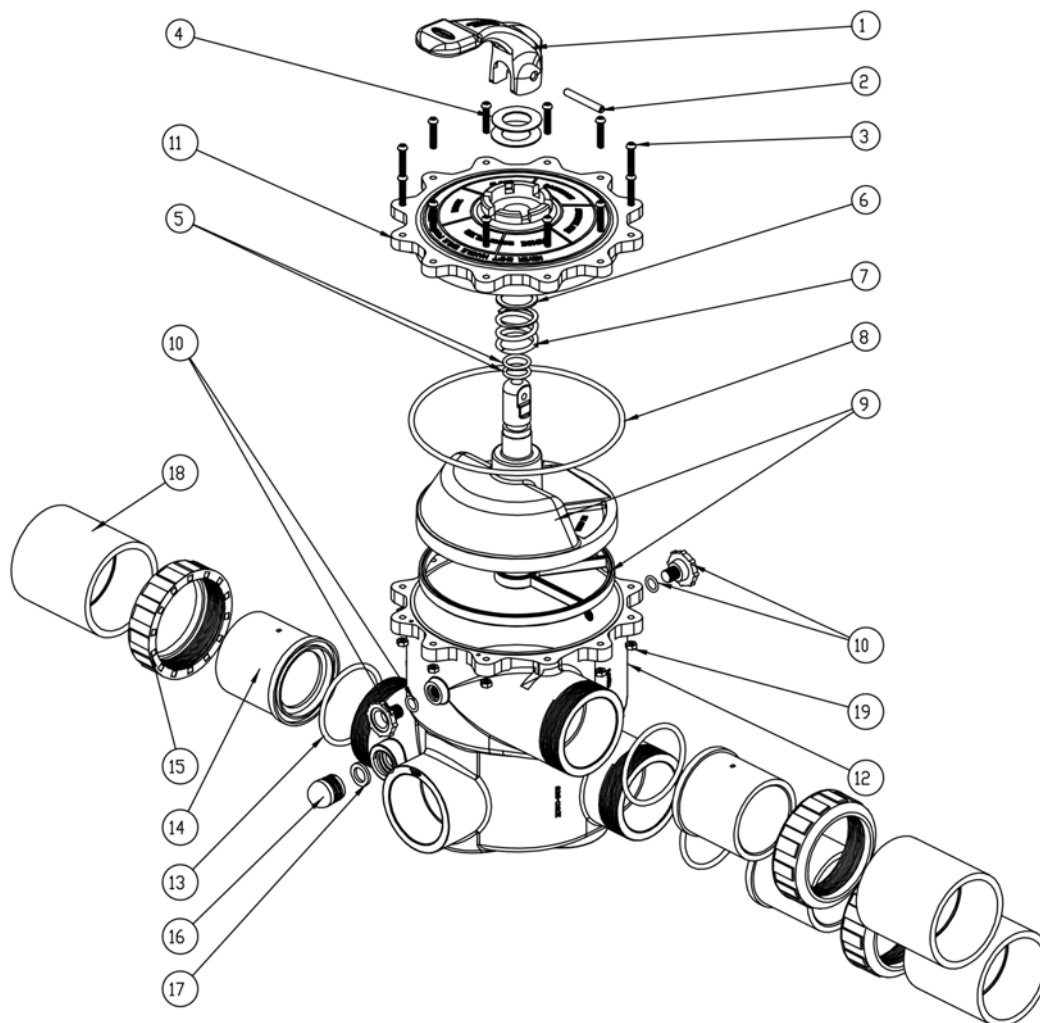
Part Number	Product Description	Diagram No.	LIST PRICE
6214511	MPV 40/50/63mm Handle Extron	1	34.53 €
621111	MPV 40mm / 50mm Handle Pin	2	5.32 €
6340062	Nut Hex M6 Brass NI/Plated (Qty 10 required)	4	0.57 €
6211303	MPV 50mm Lid MKII WCO M/C	6	POA
621161	MPV 50mm Rotor Washer Sml	7	POA
621181	MPV 50mm Spring	8	POA
621231	MPV 50mm Rotor	9	POA
W02682	MPV 50mm Body Slip Fit SF	11	POA
W02683	MPV 50mm Body Slip Fit DE	11	POA
620221	Air Relief Valve New Style - Black (Qty 2 required)	12	6.56 €
621381	MPV 50mm Sight Glass	13	POA
621341	MPV 50mm Sight Glass Gasket	14	POA
621151	MPV 50mm Top O'Ring	15	POA
W02083BLK	B/U Locking Nut 50mm - Black (Qty 3 required)	16	4.09 €
W02081BLK	B/U P/End Slip/Slip 50mm - Black (Qty 3 required)	17	3.03 €
W02280	O'Ring 50mm B/U Nitrile (Qty 3 required)	18	3.87 €
621201	MPV 50mm Valve Axle O'Ring (Qty 2 required)	19	POA



2 1/2" / 75mm Side Mount MPV

Product Code: 2290501

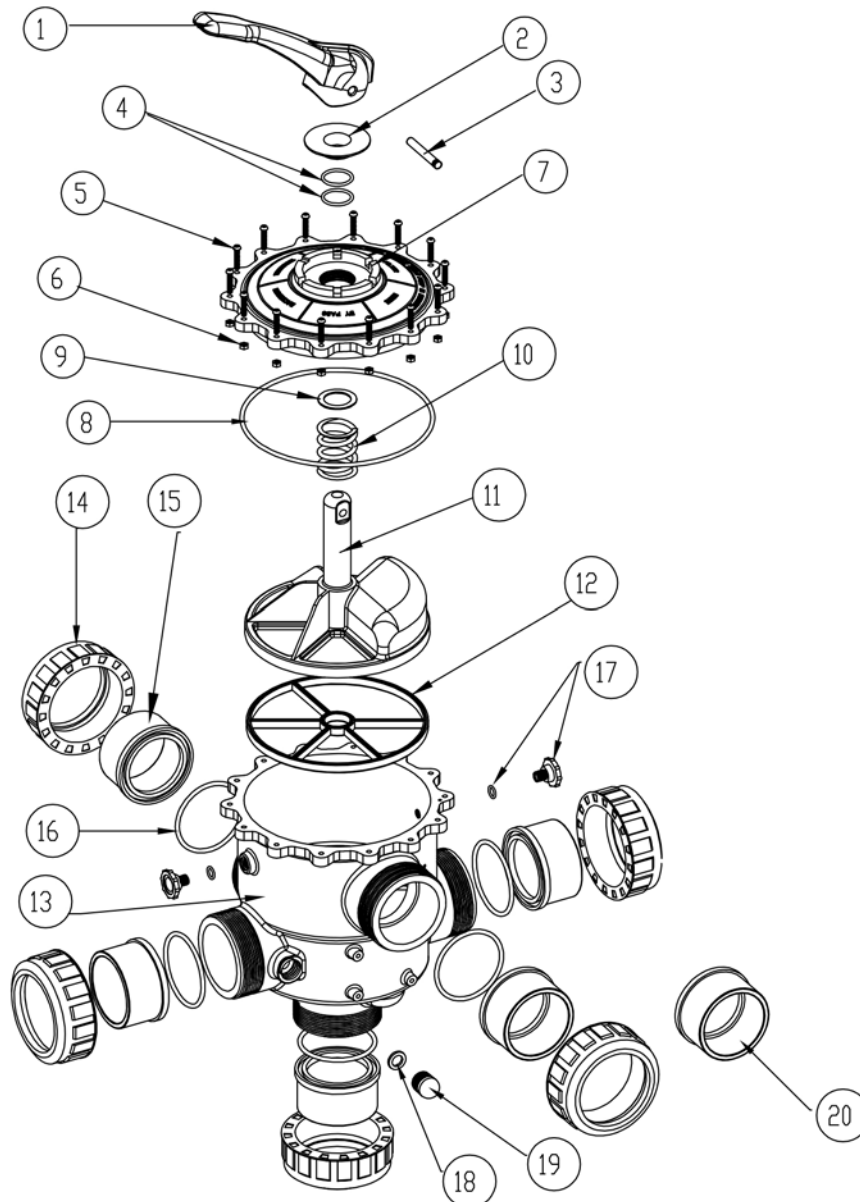
Part Number	Product Description	Diagram No.	LIST PRICE
6214511	MPV 40/50/63mm Handle Extron	1	34.53 €
621111	MPV 40mm/50mm Handle Pin	2	5.32 €
W12109	Screw (Qty 12 required)	3	POA
W02627	Teflon Washer (Qty 2 required)	4	POA
621201	Axial O'Ring (Qty 2 required)	5	POA
W02628	W02628 Teflon Washer	6	POA
621182	Spring	7	POA
621152	Lid O'Ring	8	POA
621233	Rotor W/Gasket	9	POA
621235	Spider Gasket	9	POA
620221	Air Relief Valve New Style - Black (Qty 2 required)	10	6.56 €
6211302	Lid	11	POA
6213021	Body	12	POA
63406554	O'Ring (Qty 3 required)	13	POA
644490	B/U P/End Slip/Slip 2.5"/3"mm (Qty 3 required)	14	33.71 €
63406551BLK	B/U Lock Nut 65mm (Qty 3 required)	15	POA
621381	Sight Glass	16	POA
621341	Sight Glass Gasket	17	POA
12780	Coupling 80mm	18	15.61 €
6340062	Nickle Plate Nut	19	0.57 €



3"/ 90mm Side Mount MPV

Product Code: 2290900

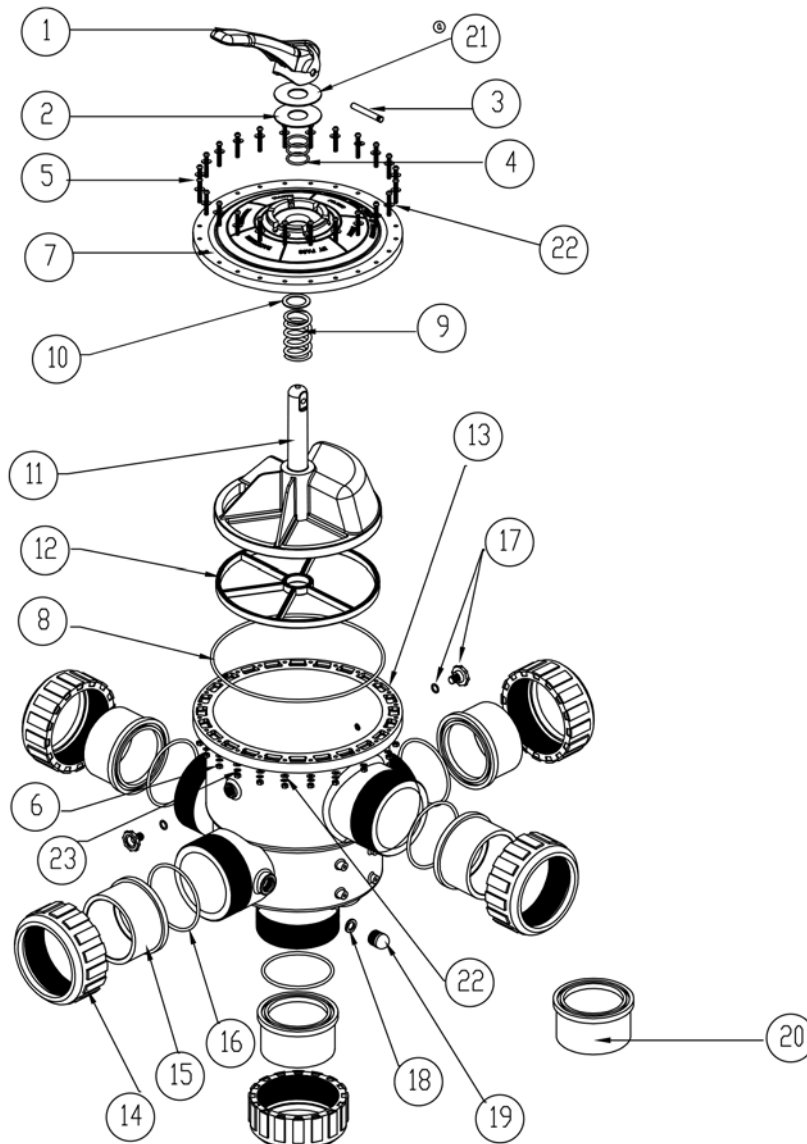
Part Number	Product Description	Diagram No.	LIST PRICE
621100	MPV 80mm Handle	1	POA
621193	MPV 80mm Sleeve	2	POA
6211020	MPV 80mm Handle Pin	3	POA
621202	O'Ring BS220 MPV80 Axel (Qty 2 required)	4	POA
W12109	MPV 50/65/80mm Lid Bolt (Qty 14 required)	5	POA
W02624	MPV 50mm Lid Nut M6x30 W (Qty 14 required)	6	POA
6211310	MPV 80 Lid P/Print	7	POA
621142	O'Ring G245 MPV 80mm Lid	8	POA
6211060	MPV 80mm Washer	9	POA
621192	MPV 80mm Spring 90LBS	10	POA
621243	MPV 80mm Rotor	11	POA
621272	MPV 80mm Spider Gasket	12	POA
621293	MPV SM80mm Body	13	POA
634080BLK	Half Union 80mm W/O'Ring - Black (Qty 5 required)		POA
W02253BLK	B/U Locking Nut 80mm - Black (Qty 5 required)	14	10.00 €
W02255BLK	B/U Plain End Slip/Slip 80mm - Black (Qty 5 required)	15	POA
W02249	O'Ring 80mm B/U EDPM (Qty 5 required)	16	10.47 €
620221	Air Relief Valve New Style - Black (Qty 2 required)	17	6.56 €
621341	Sight Glass Gasket	18	POA
621381	MPV 50mm Sight Glass	19	POA
W02255EBLK	B/U P/End 90MET - Black (Qty 5 required)	20	POA



2 1/2" / 75mm Side Mount MPV

Product Code: 2290501

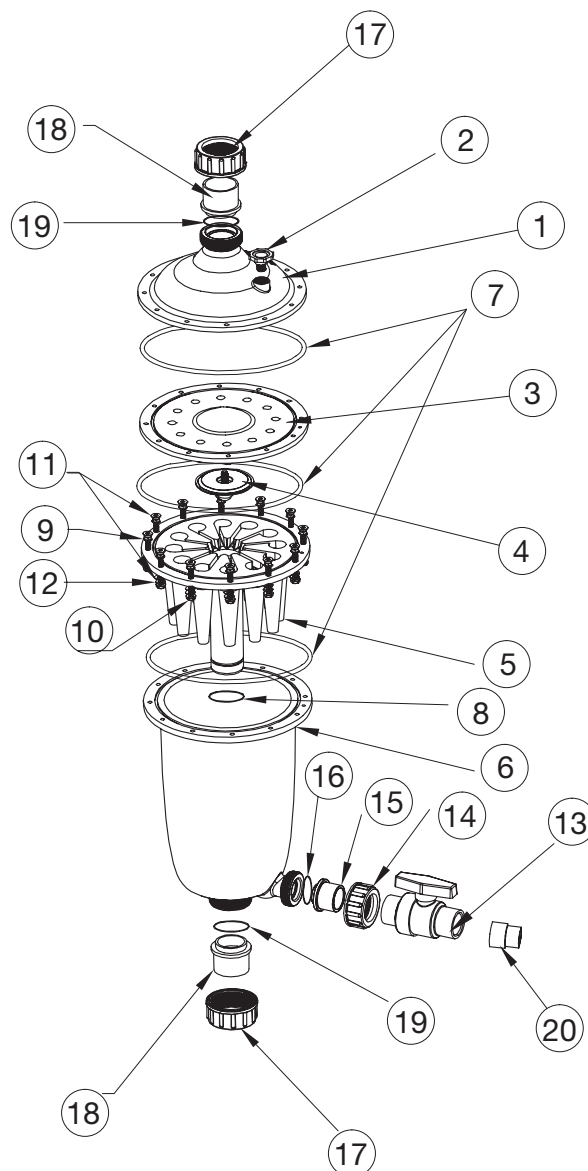
Part Number	Product Description	Diagram No.	LIST PRICE
621100	MPV 80mm Handle	1	POA
621193	MPV 80mm Sleeve	2	POA
6211020	MPV 80mm Handle Pin	3	POA
621202	O'Ring BS220 MPV80 Axel (Qty 3 required)	4	POA
W12781	Bolt M6x50mm Hex Head SS304 (Qty 24 required)	5	POA
6340062	Nut Hex M6 Brass NI/Plated (Qty 24 required)	6	0.57 €
6211028	MPV 100mm Lid P/Printed	7	POA
62110110	O'Ring BS381 MPV 100mm Lid	8	POA
62110150	MPV 100mm Spring	9	POA
6211060	MPV 80mm Washer	10	POA
62110220	MPV 100mm Rotor	11	POA
62110130	MPV 100mm Spider Gasket	12	POA
6211029	MPV SM100mm Body	13	POA
6340801	Half Union 100mm Black (Qty 5 required)		93.52 €
12221009	B/U Locking Nut 100mm - Black (Qty 5 required)	14	POA
12221011	B/U Plain End Slip/Slip 100mm - Black (Qty 5 required)	15	37.56 €
W02553	O'Ring 100mm B/U Nitrile (Qty 5 required)	16	27.60 €
620221	Air Relief Valve New Style - Black (Qty 2 required)	17	6.56 €
621341	Sight Glass Gasket	18	POA
621381	MPV 50mm Sight Glass	19	POA
12221008	B/U P/End Slip/Slip 110 Metric - Black (Qty 5 required)	20	62.62 €
W22770	MPV 100mm Handle Flat Washer	21	POA
W12782	Washer M6 Flat SS304 (Qty 48 required)	22	0.61 €
W12783	Washer M6 Spring SS304 (Qty 24 required)	23	0.61 €



MultiCyclone 12 Centrifugal

Product Code: 200374

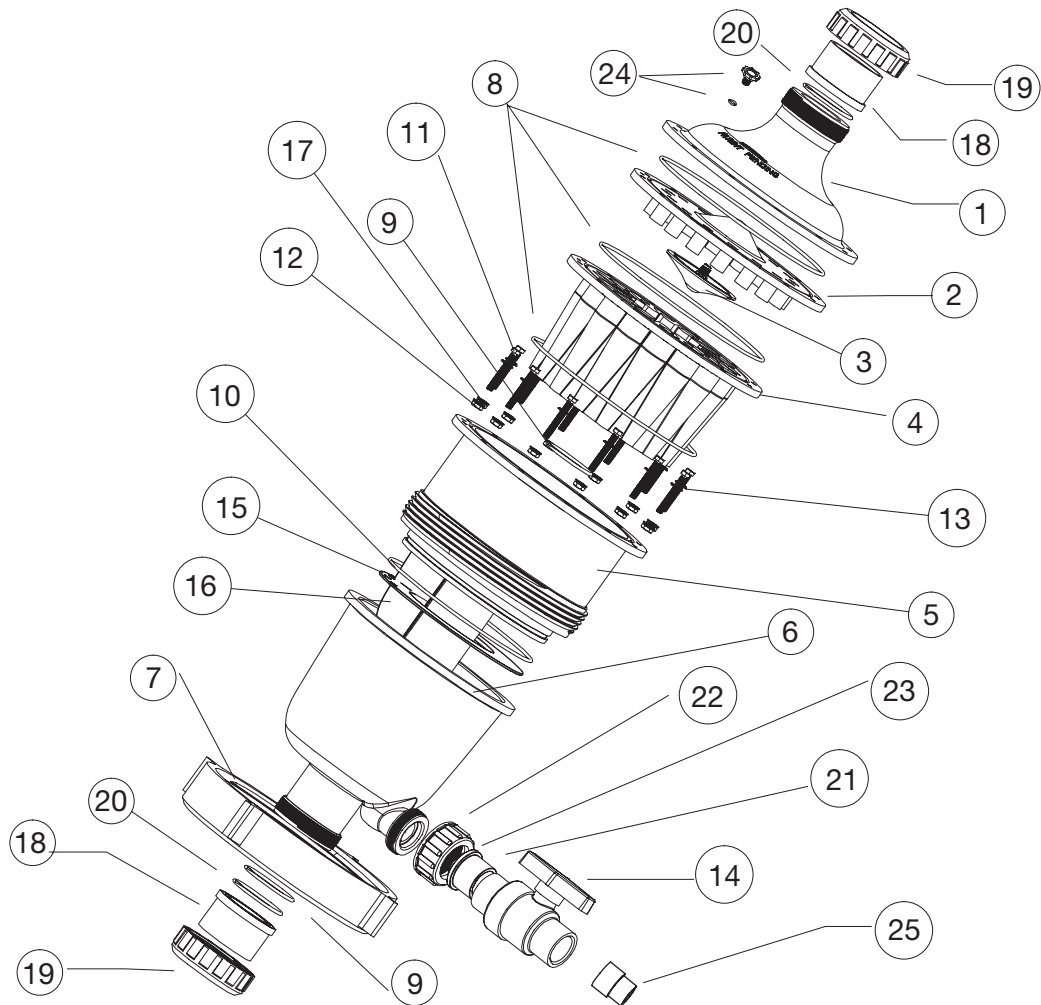
Part Number	Product Description	Diagram No.	LIST PRICE
613130	Multicyclone Collector 40mm Blank	1	57.77 €
620221	Air Relief Value New Style Blk	2	6.56 €
W22282	Multicyclone Manifold Plate 12 Cyclone 40mm	3	18.69 €
W22283	Multicyclone Flow Director 40mm	4	10.33 €
61317	MultiCyclone Body 40mm 12 Cyclone	5	178.13 €
61312	MultiCyclone Sediment Bowl 40mm	6	351.73 €
61308	Body 'O' Ring BS268 3 per filter	7	9.43 €
S0614511	Body 'O' Ring BS224	8	20.59 €
W12781	Bolt M6 x 50mm Hex Head SS304 12 per filter	9	4.33 €
6340062	Nut Hex M6 Brass Nickle Plated 12 per filter	10	0.57 €
W12782	Washer M6 Flat SS304 24 per filter	11	0.61 €
W12783	Washer M6 Spring SS304 12 per filter	12	0.61 €
140252	Compact Ball Valve 25mm Black	13	26.24 €
1222256	B/U Lock Nut 25mm Black	14	6.61 €
1222253	B/U P/End Slip/Slip 25mm Black	15	2.81 €
644790	O Ring BS218	16	1.20 €
W02209BLK	B/U Locking Nut 50mm/1.5" Black	17	2.96 €
W02210BLK	B/U P/End Slip/Slip 1.5" imperial Black	18	2.96 €
64449B	B/U P/End Slip/Slip 50mm Metric Black	18	2.96 €
W32702-HBG	O Ring 50mm B/U EPDM	19	10.05 €
622432	Adaptor 1" to 32mm Metric	20	7.96 €



MultiCyclone 16 Centrifugal

Product Code: 200375

Part Number	Product Description	Diagram No.	LIST PRICE
613010	Multicyclone Collector Blank	1	60.80 €
61304	Multicyclone Manifold Plate Assembly	2 & 3	19.67 €
61303	MultiCyclone Separator	4	38.68 €
61300	Multicyclone Body	5	155.06 €
61302	Multicyclone Sediment Bowl	6	247.65 €
62024BLK	TCF Lock Ring Black	7	35.44 €
61308	O Ring BS268 3 per filter	8	9.43 €
W02469	O Ring AS228 2 per filter	9	4.27 €
61307	O Ring BS263	10	7.35 €
W12984	Bolt M6 x 45mm Hex Head SS304 12 per filter	11	3.91 €
6340062	Nut Hex M6 Brass Nickle Plated 12 per filter	12	0.57 €
W12782	Washer M6 Flat SS304 24 per filter	13	0.61 €
140252	Compact Ball Valve 25mm Black	14	26.24 €
61306	Multicyclone Baffle Ring	15	18.15 €
61305	Multicyclone Partition	16	12.52 €
W12783	Washer M6 Spring SS304 12 per filter	17	0.61 €
W02081BLK	B/U P/End Slip/Slip 2" imperial Black	18	3.03 €
6340244B	B/U P/End Slip/Slip 63mm Metric Black	18	3.03 €
W02647BLK	T/L Lock Nut 2"/63mm New Black	19	4.30 €
W02280	O Ring 2"/63mm B/U	20	3.87 €
1222253	B/U Plain End Slip/Slip 25mm Black	21	2.81 €
1222256	B/U Lock Nut 25mm Black	22	6.61 €
644790	O Ring BS218	23	1.20 €
620221	Air Relief Valve New Style Black	24	6.56 €
622432	O-Adaptor 1" to 32mm Metric Ring BS218	25	7.96 €

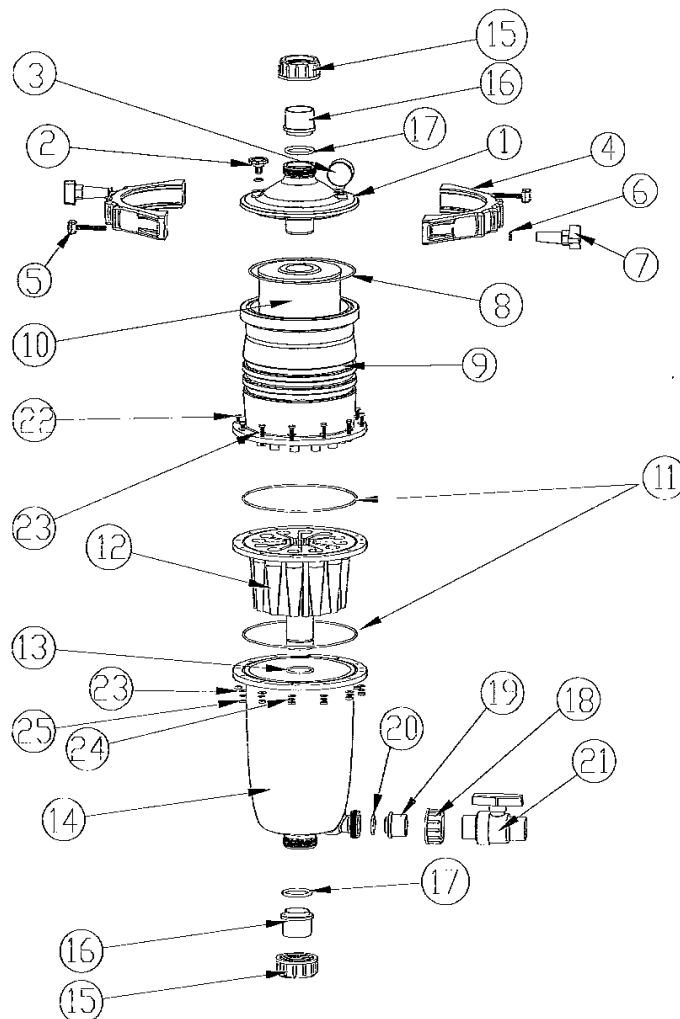


MultiCyclone 12 Plus / Ultra Cartridge Filter

Product Codes: 200380, 200382

Part Number	Product Description	Diagram No.	LIST PRICE
613140	Multicyclone Collector 40mm Clamp Type	1	67.47 €
620221	Air Relief Tap	2	6.56 €
621632	Pressure Gauge liquid 400kPa Bottom	4	48.26 €
6220202	Clamp Band (Qty 2 required)	5	53.67 €
622203	Screw Overmolded M8 x60 S/S A2 Hex Bolt (qty req. 2)	6	52.21 €
W22280	Washer Flat M8 Brass (Qty req. 2)	7	9.00 €
W02195TLJ	DE Knob w B/106 head (Qty req. 2)	8	9.10 €
W12612	O' Ring 4 x 200	9	6.57 €
61310	M/Cyclone Cartridge Housing MC12 (Plus)	9	256.28 €
61327	M/Cyclone Cartridge Housing MC12 (Ultra)	10	260.10 €
62451	M/Cyclone Plus Cartridge Element 40 sq ft (Plus)	10	130.98 €
62453	M/Cyclone ultra Cartridge Element 75 sq ft (Ultra)	11	165.14 €
61308	Body Ring 'O' Ring BS268 (Qty req. 2)	12	9.43 €
61317	Multicyclone separator MC12 Plus/Ultra	13	178.13 €
S0614511	O' Ring ID 1.75" x 2" DD (BS224)	14	20.59 €
61312	M/cyclone Sediment Bowl 40mm	15,16,17	351.73 €
122243B	1.5" Half union (imperial)	15,16,17	7.31 €
122245B	50mm Half union (metric)	18,19,20	7.52 €
122252	25mm/1" half union	21	9.45 €
140252	Compact Ball Valve	22	26.24 €
W12984	Bolt M6 x 45mm Hex Head SS304 (Qty req. 12)	23	3.91 €
W12782	washer M6 flat SS304 (Qty req. 24)	24	0.61 €
W12783	Washer M6 Spring SS304 (Qty req. 12)	25	0.61 €
6340062	Nut Hex M6 S/S304 (Qty req. 12)		0.57 €
121325	25mm 90 Deg Elbow	N/S	4.06 €

For pressure gauges - see page 14 of main price list

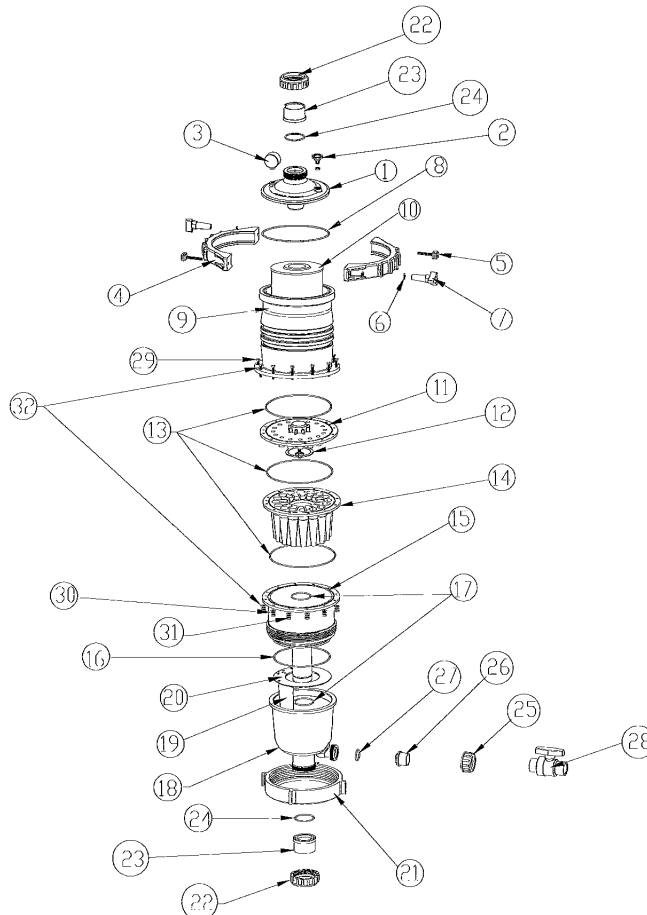


MultiCyclone 16 Plus / Ultra Cartridge Filter

Product Codes: 200381, 200383

Part Number	Product Description	Diagram No.	LIST PRICE
613150	Multicyclone Collector 50mm Clamp Type	1	71.46 €
620221	Air Relief Tap	2	6.56 €
W02703	Pressure Gauge Dry 400	3	53.67 €
6220202	Clamp Band (Qty req. 2)	4	POA
622203	Screw Overmolded M8 x60 S/S A2 Hex Bolt (qty req. 2)	5	52.21 €
W22280	Washer Flat M8 Brass (Qty req. 2)	6	9.00 €
W02195TLJ	DE Knob w B/106 head (Qty req. 2)	7	9.10 €
W12612	O' Ring 4 x 200	8	6.57 €
61311	M/Cyclone Cartridge Housing MC16 Plus	9	263.56 €
61326	M/Cyclone Cartridge Housing MC16 Ultra	9	263.58 €
62451	M/Cyclone Cartridge Element 40 sq ft MC16 Plus	10	130.98 €
62453	M/Cyclone ultra Cartridge Element 75 sq ft MC16 Ultra	10	165.14 €
W22281	MC Manifold plate	11	15.26 €
W12972	MC16 flow director	12	41.28 €
61308	Body Ring 'O' Ring BS268 (Qty req. 3)	13	9.43 €
61303	M/Cyclone Separator	14	38.68 €
61300	M/Cyclone Se MC16 Body (grey)	15	155.06 €
61307	O ring BS263	16	7.35 €
W02469	O ring main drain AS228	17	4.27 €
61302	M/cyclone Sediment Bowl	18	247.65 €
61305	MC partition	19	12.52 €
61306	MC baffle ring	20	18.15 €
62024BLK	Lockring - black	21	35.44 €
6340245	2" Half union connection (imperial)	22,23,24	11.07 €
63402400	63mm Half union connection (metric)	22,23,24	11.07 €
1222252	1"/25mm Half union connection	25,26,27	9.45 €
140252	Compact Ball Valve	28	26.24 €
W12984	Bolt M6 x 45mm Hex Head SS304 (Qty req. 12)	29	3.91 €
W12783	Washer M6 Spring SS304 (Qty req. 12)	30	0.61 €
6340062	Nut Hex M6 (Qty req. 12)	31	0.57 €
W12782	washer M6 Falt SS304 (Qty req. 24)	32	0.61 €
121325	25mm 90 Deg Elbow	N/S	4.06 €

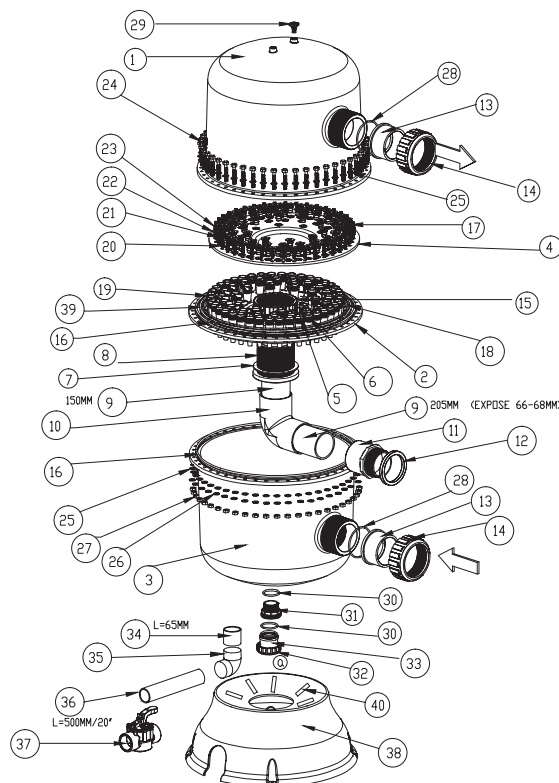
For pressure gauges - see page 14 of main price list



Multicyclone 70 XL Commercial

Product Code: 200393

Part	Product Description	Diagram No.	LIST PRICE
W22729	Top Shell Multicyclone 4" Grey	1	500.08 €
W22732	Cyclone Plate Multicyclone 4" Grey	2	316.29 €
W22730	Bottom Shell Multicyclone 4" Grey	3	503.22 €
W22503	Manifold Plate Multicyclone 4"	4	140.32 €
W22505	Cone Cyclone Standard LH	5	1.64 €
W22504	Cone Cyclone Standard RH	6	1.64 €
W02539	Gasket 100mm Bulkhead	7	6.01 €
W22648	Bulkhead Body 100mm 4" L= 93mm	8	34.40 €
W02138	Pipe 100mm x 6M Grey	9	5.62 €
W34026	Elbow 100mm Black BS	10	23.91 €
W22543	Male Valve Socket 4" (JIS)	11	30.99 €
W22544	Rubber Washer 4" Cyclone	12	4.41 €
12221011	Barrel Union Plain End 4" imperial Black	13	37.56 €
12221008	Barrel union plain end 110mm - metric	13	62.62 €
12221006	Locking Nut 100mm 4" Multicyclone	14	17.81 €
12221007	Bulkhead Lock Nut 100mm Black	15	59.42 €
W44059	O-Ring Jointed Dia 9 4" Multicyclone L= 2020mm	16	50.63 €
W22508	Spigot Multicyclone 4"	17	0.45 €
W22629	O-Ring BS392	18	33.08 €
W22627	O-Ring 27* 2.0	19	0.29 €
W22628	O-Ring BS009	20	0.21 €
W22626	O-Ring 20* 2.0	21	0.38 €
W12782	Washer M6 Flat SS304	22	0.61 €
W22654	Hexagon Bolt M6 35 SS304	23	0.33 €
W22750	Screw Hex M10 x 110mm SS304	24	4.00 €
W22651	Washer M10 COD=30 Thickness 2.5 SS304	25	0.99 €
W22414	Spring Washer M10 SS304	26	0.24 €
W32488	Nut Hex Long M10 x 45mm Brass Ni/Plated	27	9.24 €
W02553	O-Ring 110mm B/U Nitrile	28	27.60 €
620221	Air Relief Valve New Style Blk	29	6.56 €
W02280	O-Ring 63mm B/U Nitrile	30	3.87 €
W02154BLK	B/U Threaded End Thrd/Thrd 63mm Black	31	4.19 €
W02647BLK	T/L Lock Nut 63mm New Black	32	4.30 €
W02081BLK	B/U P/End Slip / Slip 63mm Black	33	3.03 €
W02118	Pipe 63mm x 6M White	34	5.62 €
W22660	Elbow 90Deg 63mm Clear PVC	35	62.80 €
W22624	Pipe Clear PVC 63mm 3 Meter (SCH40)	36	0.95 €
14856	Waterco 63/75mm 2 Way Valve	37	58.05 €
W22509	Base Multicyclone 4"	38	351.95 €
W44058	O-Ring Jointed 4" Multicyclone L=1900mm	39	10.11 €
W01285	Butyl Tape 6 x 17mm x 10m	40	8.10 €

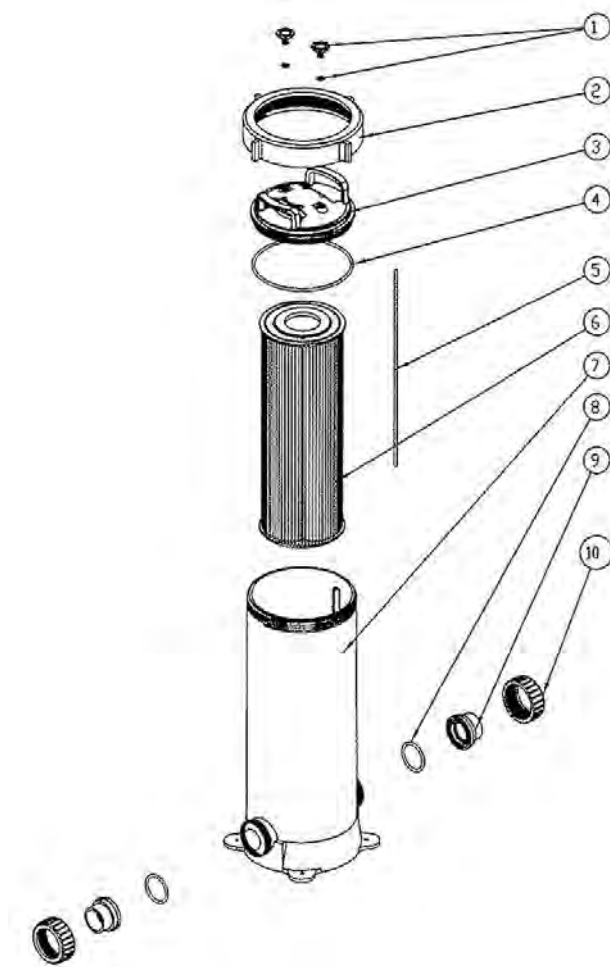


Trimline Cartridge Filters

Product Codes: 21450EU, 21475EU, 214100EU

Part Number	Product Description	Diagram No.	LIST PRICE
620221	Air release valve MK2	1	6.56 €
62024BLK	Lock ring Mk3 (5 threads)	2	35.44 €
62025 - 0501	Lid c/w o ring MK3 - Pewter colour 6 Bar	3	72.11 €
62026	Lid o ring MK3	4	16.94 €
W02547	Air bleed C25	5	3.04 €
W02548	Air bleed CC50	5	3.50 €
W02549 (17100)	Air Bleed CC50/CC75	5	4.25 €
W02550	Air bleed C75/CC100	5	5.17 €
62048	Cartridge CC50	6	155.73 €
62049	Cartridge CC75	6	203.13 €
62050	Cartridge CC100	6	264.06 €
62021	Lid O Ring MK2	3	16.94 €
W02541PEW	Body C25	7	179.41 €
W02542PEW	Body CC50	7	206.76 €
W02543PEW	Body C50/CC75	7	241.43 €
W02544PEW	Body C75/CC100	7	388.35 €
122256BLK	2" x 50mm Half union	8+9+10	10.18 €
122257BLK	1 1/2" / 2" Half union	8+9+10	12.10 €
W02280	Union o ring 1 1/2" / 2" MK2	8	3.87 €
6340246BLK	2" x 50mm Tail end	9	3.56 €
122257BLK	1 1/2" x 2" tail end	9	12.10 €
W02647BLK	Lock nut	10	4.30 €

For pressure gauges - see page 14 of main price list

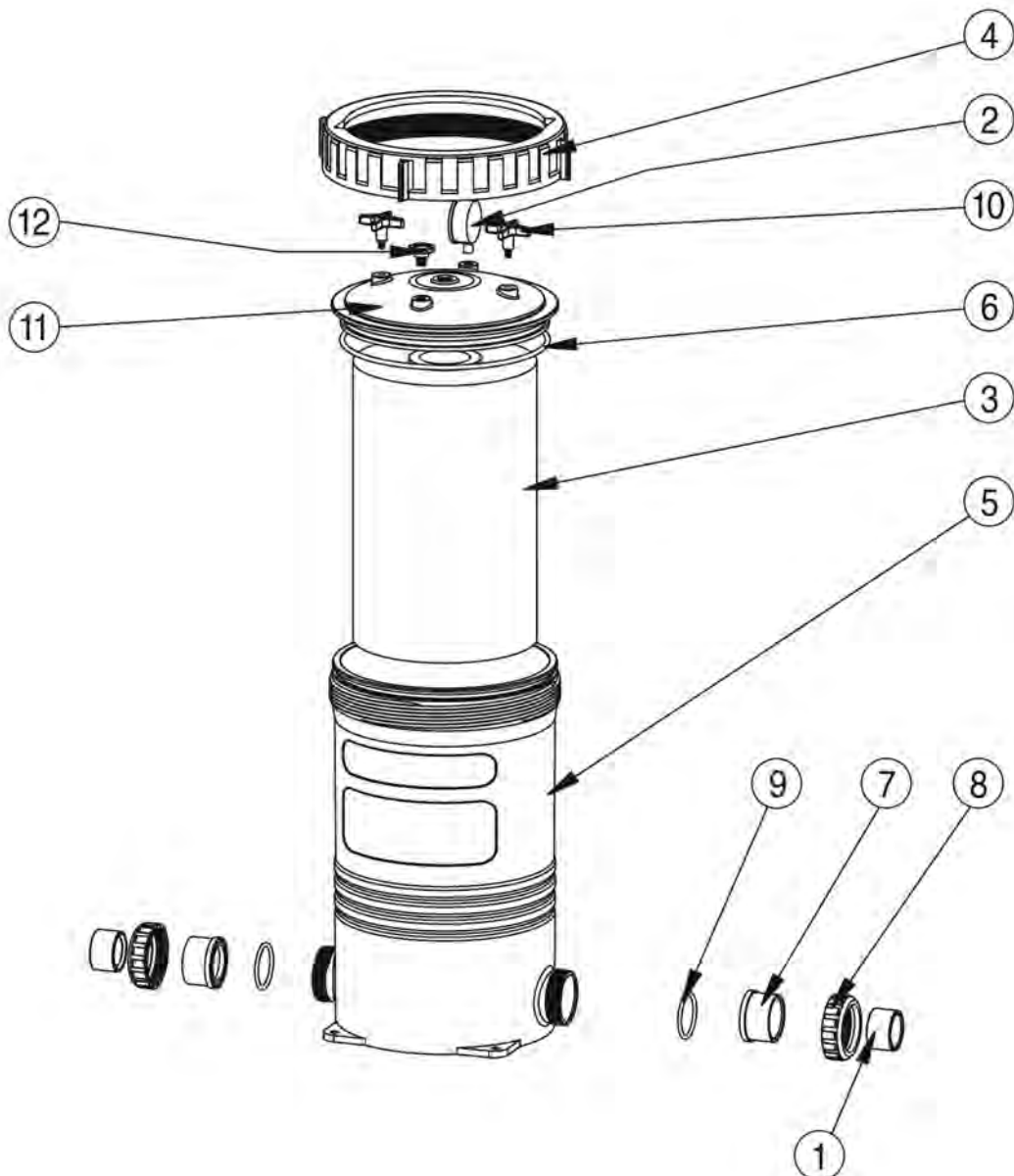


Opal Cartridge Filters

Product Codes: 2171350EUM, 2171800EUM

Part Number	Product Description	Diagram No.	LIST PRICE
12555BLK	Reducing bush 50 x 40mm Black	1	4.77 €
701033	Filter cartridge 120 sqft	3	330.60 €
701039	Filter cartridge 135 sqft	3	277.80 €
701034	Filter cartridge 150 sqft	3	330.60 €
701038	Filter cartridge 180 sqft	3	330.59 €
AXFI010	Opal tank lock ring	4	169.19 €
AXFI0120	Opal pewter tank only 3.5 bar	5	341.86 €
620271	ORING OPAL LID (P280 279.5 X 8.4)	6	18.98 €
AXFI014	Opal black union tail	7	5.15 €
AXFI016	Opal black lock ring	8	10.18 €
AXFI018	Opal union o'ring	9	3.65 €
W02629	Opal handle (2 per filter)	10	9.88 €
AXFI0083	Opal lid only (5mm smaller in diameter than AXFI081)	11	89.85 €
620221	Air relief valve	12	6.56 €

For pressure gauges - see page 14 of main price list

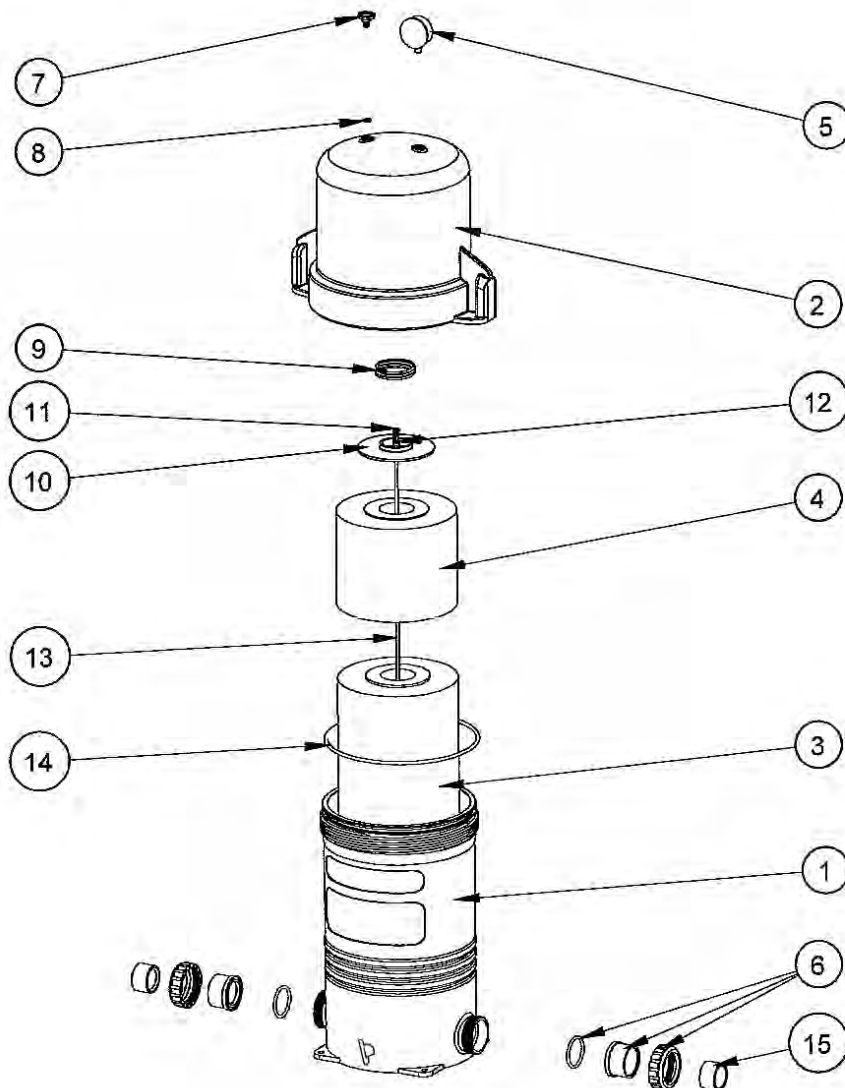


OPAL XL

Product Codes: 217225EUM, 217270EUM

Part Number	Product Description	Diagram No.	LIST PRICE
AXFI0121	Opal Tank PP Pewter	1	POA
AXFI0087	Opal Top Housing 270	2	257.82 €
AXFI0085	Opal Top Housing 225	2	203.02 €
701038	Cartridge Element 180 sq.ft.	3	330.59 €
701041	Cartridge Element 90 sq.ft.	4	211.99 €
701040	Cartridge Element 225sq.ft.	N/S	444.05 €
AXFI014	Opal Union Tail Black 2" imperial	6	5.15 €
AXFI015	Opal union tail black 63mm metric	6	5.15 €
AXFI016	Opal Cartridge Union Lock Ring Black	6	10.18 €
AXFI018	'O' Ring Union Opal Cartridge	6	3.65 €
620221	Air Release Valve (with o-ring)	7+8	6.56 €
AXFI0089	Spring	9	28.22 €
8223502	Top Adaptor	10	12.51 €
W02289	Air relief Screen	11	6.94 €
85251	Gulfstream Plug	12	1.23 €
W22205	Air bleed for 225sq. ft	13	1.10 €
W22206	Air bleed opal 760 (270sq.ft.)	13	1.47 €
620272	'O' Ring BS 454	14	33.63 €
12555BLK	Reducing Bush 63mm/50mm	15	4.77 €
61216	Opal element joiner (for 270sq.ft. only)	N/S	10.98 €

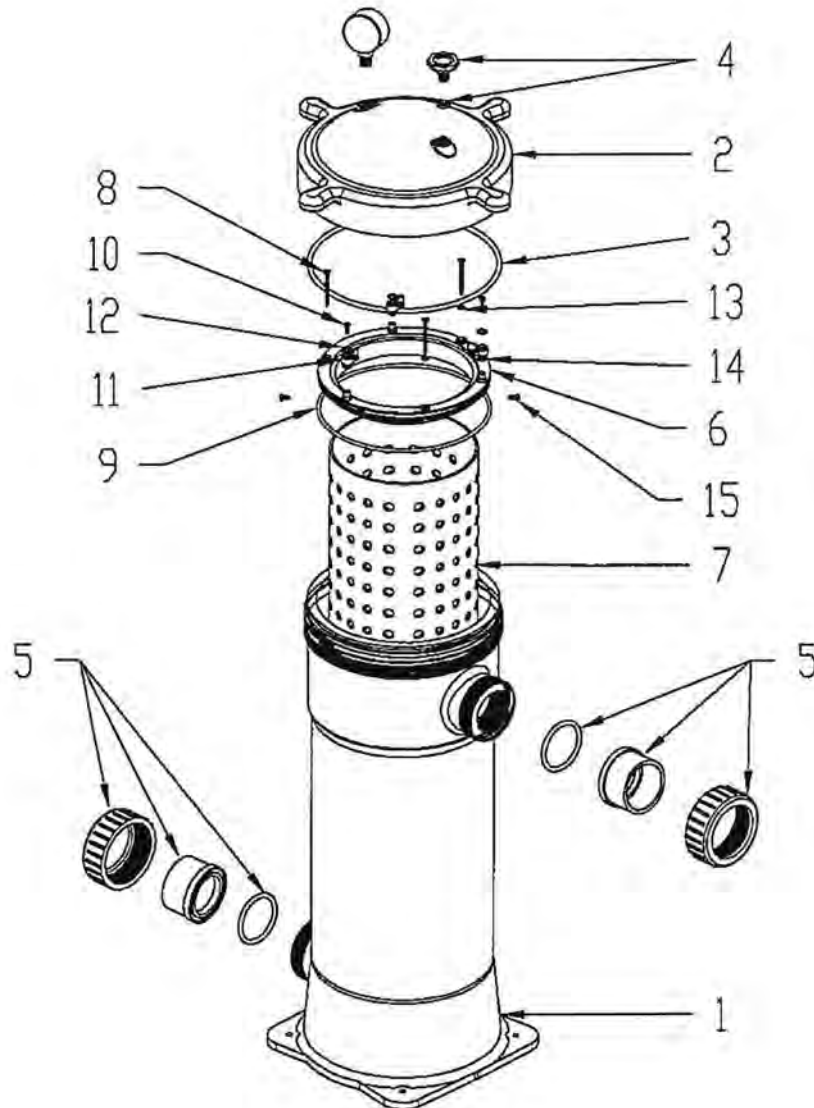
For pressure gauges - see page 14 of main price list



Leaf Trapper

Product Code: 3761053

Part Number	Product Description	Diagram No.	LIST PRICE
62044131	T/Line Bag Housing C50 W/Ext.Thread Port Only	1	POA
62044170	T/Line Bag Housing Lid Clear	2	POA
620262	'O' Ring G220	3	15.38 €
620221	Air Release Valve - Black Clear	4	6.56 €
634024B	Half Union with 'O' Ring - 50mm (2 required)	5	POA
620342	'O' Ring Half Union BS332 Viton	5	POA
620245	'O' Ring	5	POA
3651947	Case Ring	6	131.44 €
3651946	Support Cage Filter Bag	7	117.36 €
620292	Screw 10G X 2" CSK SS316 for TBF Cage Ring	8	1.54 €
620293	'O' Ring 205 X 4 for TBF Cage Ring	9	13.25 €
6340087	Screw PT#8 13MM S/S 316 For UWL	10	0.59 €
620291	Latch For TBF Cage Ring	11	POA
620294	Washer 3/16X1/2X20Flat SS316 TBF Cage Ring	12	1.72 €
82444204	'O' Ring BS 010	13	2.54 €
82444205	'O' Ring BS 011	14	0.38 €
63814277	Screw M3x6	15	POA

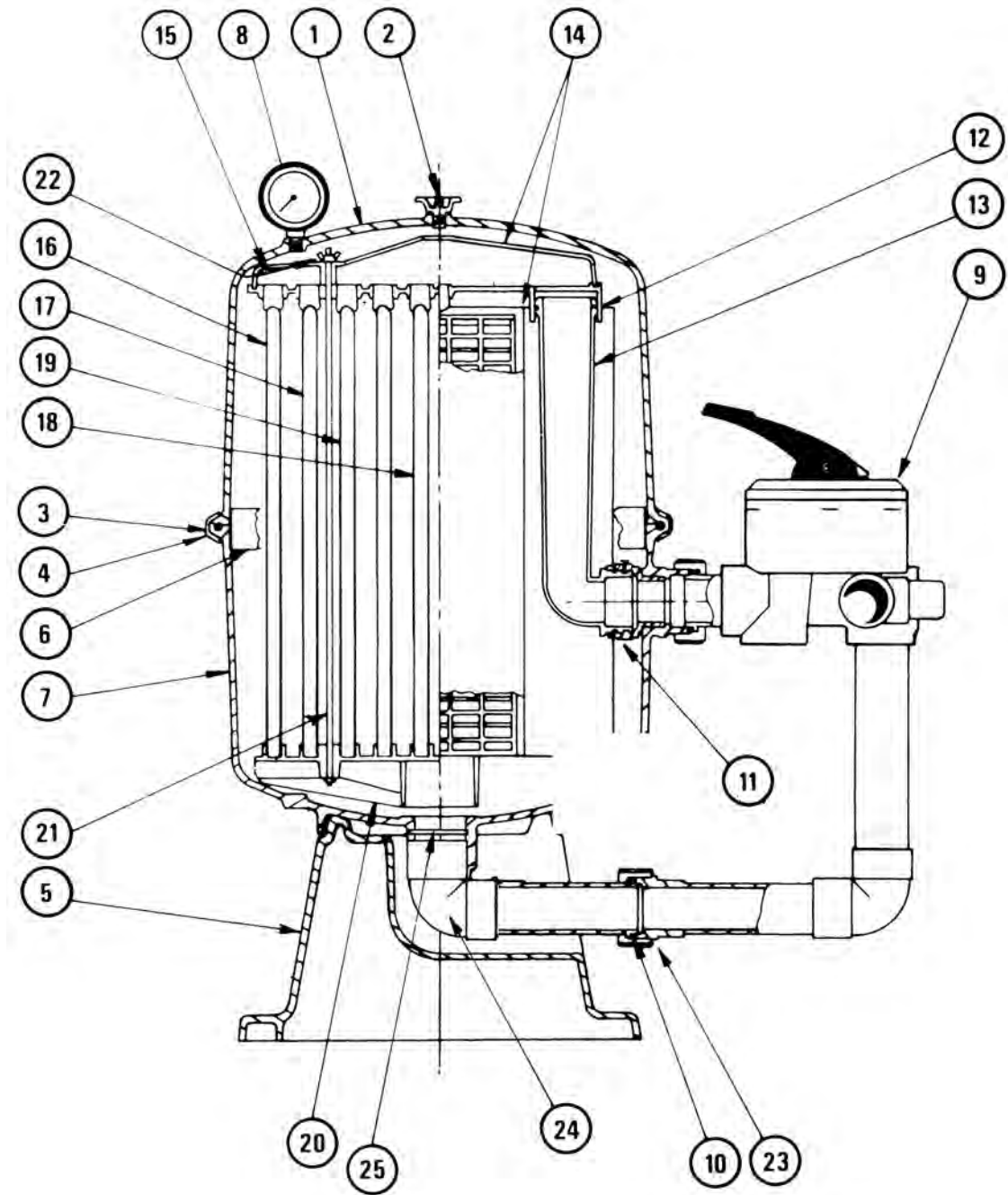


Astra Fulflo D.E. Filter

Part Number	Product Description	Diagram No.	LIST PRICE
62231PEW	Tank top low dome - P2016	1	167.43 €
62232PEW	Tank top high dome (grey) P2027,31	1	294.12 €
62233PEW	Tank top ultra high dome P2036,2048	1	327.01 €
620221	Air release Valve c/w O Ring	2	6.56 €
62202	P2145 clamp ring assy (c/w knob, bolt, lug)	3	267.18 €
622203	P2153 Nally tank clamp knob, bolt, lug	3	52.21 €
62250	P9109 Tank body O Ring	4	41.59 €
W01057	P2517 Inner band For P2027 / P2036 / P2048	6	77.47 €
8223152	Tank Body Bottom (P2027, P2036)	7	287.67 €
822343	Tank body ultra bottom (P2048)	7	POA
W02213	Union O ring (post 3/98)	10	5.03 €
W02280	Union O ring 50mm P2027 - 48 (BS332)	10	3.87 €
62248	Union adapter assy	11	36.14 €
822346	90 Deg elbow union - P2016,27,31	13	33.85 €
62206	P2124 90° elbow union assy P2036,48	13	43.80 €
62208	P2176 Complete septum - 2016	14	671.78 €
62209	P2146 Complete septum - P2027,31	14	671.78 €
62210	P2157 Complete septum - P2036	14	757.91 €
62211	P2206 Complete septum - P2048	14	941.15 €
62207	P2126 Manifold assy	15	78.33 €
62212	P2177 - 150 filter grid - P2016	16	69.31 €
62213	P2179 - 250 filter grid - P2016	17	73.55 €
62214	P2181 - 250 offset filter grid - P2016	18	73.55 €
62215	P2183 - 310 Filter grid - P2016	19	80.91 €
62216	P2147 - 150 filter grid - P2027,31 - 450 long 2 per filter	16	95.29 €
62217	P2148 - 250 filter grid - P2027,31 - 450 Long 2 per filter	17	114.49 €
62218	P2149 - 250 offset filter grid - P2027, 31 - 450 Long 2 per filter	18	114.49 €
62219	P2150 - 310 filter grid - P2027,31 - 450 long 4 per filter	19	127.25 €
62220	P2158 - 150 filter grid - P2036 - 630 long 2 per filter	16	96.92 €
62221	P2160 - 250 filter grid - P2036 - 630 long 2 per filter	17	116.08 €
62222	P2162 - 250 offset filter grid - P2036 - 630 long 2 per filter	18	116.08 €
62223	P2164 - 310 filter grid - P2036 - 630 long 4 per filter	19	132.80 €
62224	P2210 - 150 filter grid - P2048 - 810 long 2 per filter	16	150.70 €
62225	P2214 - 250 filter grid - P2048 - 810 long 2 per filter	17	203.47 €
62226	P2211 - 250 offset filter grid - P2048 - 810 long 2 per filter	18	203.47 €
62227	P2213 - 310 filter grid - P2048 - 810 long 4 per filter	19	213.63 €
W02198	P2337 Clamp Plate	20	13.22 €
62237	P2547 Tie rod - P2016	21	30.63 €
62238	P2521 Tie rod - P2027,31	21	37.02 €
62239	P2538 Tie rod - P2036	21	40.14 €
62240	P2545 Tie rod - P2048	21	44.53 €
122243B	Half Barrel Union 1/2" (post 03/98)	23	7.31 €
122245B	Half Barrel Union 50mm Metric (Pre 03/98)	23	7.52 €
634024BLK	Half Barrel Union 50mm 2027- 48 (Post 03/98)	23	11.28 €
634024EURO	Half Barrel Union 63mm Metric	23	11.28 €
823318	90 degree elbow threaded 1/2" (Pre 03/98)	24	12.19 €
822345BLK	90 degree elbow threaded 2" (Post 03/98)	24	16.81 €
823319	90 degree elbow O Ring (Pre 03/98)	25	4.56 €
622290	P2014/16 KIT top and bottom & clamp & inner band & knob	N/S	547.47 €
622291	P2027/31 KIT top & bottom & clamp & inner band & knob	N/S	585.92 €
622292	P2036 KIT top & bottom & clamp & inner band & knob	N/S	656.55 €
622301	P2048 KIT top & bottom & clamp & inner band & knob	N/S	727.15 €
2390495EU	P2027/P2031 M.P.V.-1/2" c/w plumbing kit	9	176.05 €
23905832EU	P2036 M.P.V.- 2" c/w plumbing kit	9	257.31 €

For pressure gauges - see page 14 of main price list

Astra Fulflo D.E. Filter



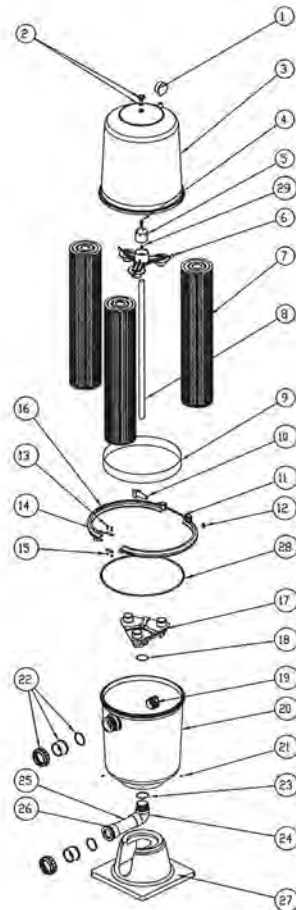
TANK PORT SIZE	MODEL	CODE	CONNECTION	
		MPV C/W Plumbing Kit	TANK	MPV
1.5" (50mm)	P2027	2390495 / 2390495EU	Top - Male	Top - Female
2" (63mm)	P2036	23905832 / 2390583EU		
2" (63mm)	P2048	23905932 / 2390593EU	Bottom - Male	Bottom - Female

Fulflo Tri-Cartridge Filter

Product Codes: 21655300EU, 2165400EU, 2165500EU

Part Number	Product Description	Diagram No.	LIST PRICE
620221	Air Release Valve	2	6.56 €
62233PEW	Tank Top Ultra High Dome	3	327.01 €
W02289	Air Relief Tube Screen	4	6.94 €
6220701	Adaptor M/Fold Tri-Cartridge	6	78.32 €
622810	Cartridge Element For TC300 (Qty 3 Needed)	7	243.12 €
622820	Cartridge Element For TC400 (Qty 3 Needed)	7	297.79 €
622830	Cartridge Element For TC500 (Qty 3 Needed)	7	321.04 €
W01057	S/S Inner Band 40	9	77.47 €
W02195TLJ	DE Knob w.0.6" head dia. brass insert	10	9.10 €
W02201	M8 x 100 S/S Stud	11	25.65 €
W02202	Brass Lug	12	3.81 €
827000	Screw 1/4 x 1" Hex	13	1.60 €
822528	Connecting Link	14	4.41 €
829227	Nut 1/4" Nylock	15	1.60 €
822526BLK	Clamp Band Half - 2 req. per filter	16	93.84 €
6220700	Manifold Tri Cartridge	17	37.26 €
6220702	O Ring	18	6.51 €
62268	Inlet Baffle 50mm	19	13.85 €
822343PEW	Tank Body Ultra Bottom	20	186.08 €
W02641	Screw	21	11.89 €
634024BLK	Half Union with O Ring 2" imperial	22	11.28 €
W02083BLK	Union Lock Nut -2"/63mm	22	4.09 €
W02081BLK	Union Plain End 2" imperial	22	3.03 €
6340244B	Union Plain end 63mm	23	3.03 €
W02280	O Ring 2"/63mm	22	3.87 €
W02691	O Ring	23	18.69 €
822345BLK	F/Fld Bim Elbow 63mm	24	16.81 €
W02087BLK	B/Union Threaded End	26	3.18 €
62228	PP Supportor Base	27	101.86 €
62250	Tank Body O Ring	28	41.59 €
85251	Gulfstream Plug	29	1.23 €

For pressure gauges - see page 14 of main price list



Micron / Thermoplastic / Exotuf Sand Filters - Common Parts

Part Number	Product Description	LIST PRICE
Micron / Exotuf Thermoplastic Common Parts		
W02115PP	Manifold threaded 1 1/2" / 50mm	46.61 €
W02116PP	Manifold threaded 2" / 63mm	87.51 €
W02111PP	Lateral threaded 75mm	4.13 €
W02112PP	Lateral threaded 110mm	4.79 €
W02113PP	Lateral threaded 145mm	5.05 €
W02114PP	Lateral threaded 200mm	8.19 €
W02117PP	Lateral threaded cap female	2.80 €
W02158PP	Lateral threaded plug male	4.33 €
W02026BLK	Drain plug assembly (15mm)	115.58 €
W04058BLK	Drain plug assembly (1 1/2"/50mm)	115.58 €
W02068	Valve Neck O Ring (suits 1 1/2" MPV)	12.45 €
W02571	Micron Valve Gasket (2")	66.01 €
62102-HBG	Micron S/S Dome Nut & Washer (set of 12)	62.20 €
122243B	1 1/2" Half Union (Black) c/w O Ring	7.31 €
122245B	50mm European metric Half Union (Black) c/w O Ring	7.52 €
W02213	1 1/2" Union O Ring	5.03 €
634024BLK	2" Half Union (Black) c/w O Ring	11.28 €
63402400	63mm European metric Half Union (Black) c/w O Ring	11.07 €
W02280	2" Union O Ring	3.87 €
T Filters - Clamp Band Type		
6226010	Clamp Band 6" Kit (T400, T450, T500)	38.68 €
620269	O'Ring 185 x 4mm for 6" Clamp Band	26.44 €

For multiport valves and pressure gauges - see page 12-14 of main price list

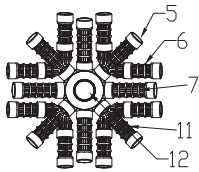
Part No:		W02115	W02116	W02111PP	W02112PP	W02113PP	W02114PP	W02117PP	6209226	6209227
Model		Manifold 50mm	Manifold 63mm	Lateral 75mm	Lateral 110mm	Lateral 145mm	Lateral 200mm	Lateral End Cap Nut	Extension Arm Assy Short	Extension Arm Assy Long
S500	Eco	1		8	4			16		4
S600	Eco	1		16	4			16		4
S602	Eco		1	16	4			16		4
S700	Eco	1		16			4	16	4	
S702	Eco		1	16			4	16	4	
S750	Eco		1	8	12	4		16	4	
S800	Eco		1	8	12	4		16	4	
S900	Eco		1	4	8	12		16	4	
E600 Plus. SM	Eco	1		12		4		16	4	
E602 Plus. SM	Eco		1	12		4		16	4	
E702 Plus. SM	Eco		1	12			4	16		4
E600 Plus. TM	Eco	1		12		4		16	4	
E602 Plus. TM	Eco		1	12		4		16	4	
E702 Plus. TM	Eco		1	12			4	16		4
T400 / E400	Std	1		8				8		
T450 / E450	Std	1			8			8		
T500 / E500	Std	1			8			8		
T600 / E600	Std	1				8		8		

Exotuf Plus Side Mount

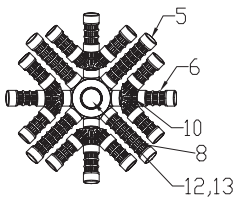
Part Number	Product Description	Diagram No.	LIST PRICE
6220208	Clamp Band 8" MKII	3i	107.35 €
622203	Screw Overmolded M8X60 S/S A2 Hex Bolt	3ii	52.21 €
W22280	Washer Flat M8 Brass (8.4 x 18 x 1.5mm)	3iii	9.00 €
W02195TLJ	DE Knob W0.6" Head Dia Brass Insert	3iv	9.10 €
62092911	Filter Clear Lid 8" Clamp Type	4	68.61 €
W02117PP	Lateral Cap Nut PP	5	2.80 €
W02111PP	Lateral Waterco 75mm PP	6	4.13 €
W02112PP	Lateral Waterco 110mm PP	7	4.79 €
W02113PP	Lateral Waterco 145mm PP	8	5.05 €
W02114PP	Lateral Waterco 200mm PP	9	8.19 €
6209226	Lateral Extension Arm Assembly Short	10	19.28 €
6209227	Lateral Extension Arm Assembly Long	11	22.49 €
W02115	Manifold Waterco 50mm for E500+ / E600+	12	POA
W02116	Manifold Waterco 63mm for E602+ / E702+	13	POA
121558	Threaded Sweep Elbow Kit 50mm / 1/2" for E500+ / E600+	14	POA
121559	Threaded Sweep Elbow Kit 63mm / 2" for E602+ / E702+	15	POA
121340	Elbow 90 Deg 50mm for E500+ / E600+ / E602+ / E702	16/17	7.63 €
W22316	O-Ring 180 x 4.5mm NBR Black Shore 70 for E500+ / E600+	19	11.82 €
W22479	O-Ring 198 x 4.5mm NBR Black Shore 70 for E602+ / E702+	20	11.82 €
W02066	Funnel For Side Mount Filters	21	15.85 €
W02289	Air Relief Tube Screen	22	6.94 €
85251	Gulfstream Plug	23	1.23 €
W02550	T/L Moulded Air Bleed 740mm C75	24	5.17 €

For multiport valves and pressure gauges - see page 12-14 of main price list

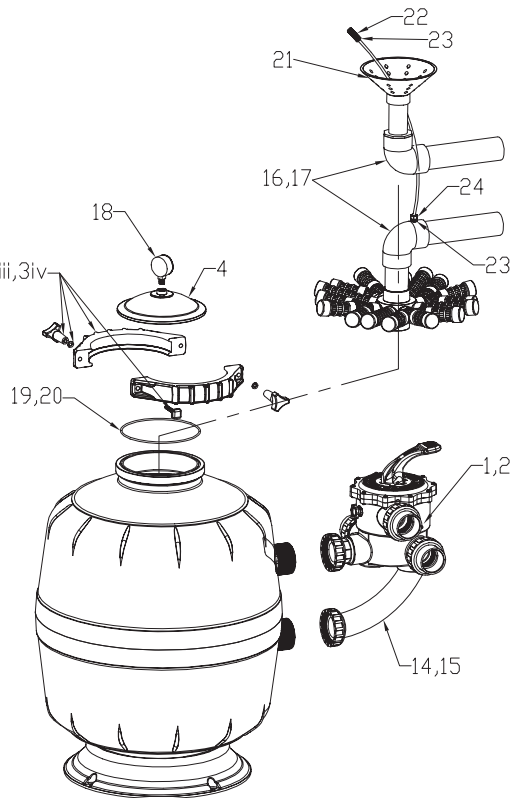
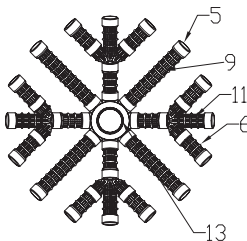
LATERAL CONFIGURATION FOR E500+



LATERAL CONFIGURATION FOR E600+ / 602+



LATERAL CONFIGURATION FOR E702+



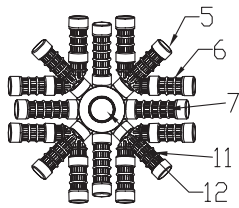
Part. No	Product Description	Qty			
		E500+	E600+	E602+	E702+
W02117PP	Lateral Cap Nut PP	16	16	16	16
W02111PP	Lateral Waterco 75 PP	8	12	12	12
W02112PP	Lateral Waterco 110mm PP	4			
W02113PP	Lateral Waterco 145mm PP		4	4	
W02114PP	Lateral Waterco 200mm PP				4
6209226	Lateral Extension Arm Assembly Short		4	4	
6209227	Lateral Extension Arm Assembly Long	4			4
W02115	Manifold Waterco 40mm	1	1		
W02116	Manifold Waterco 50mm			1	1

Exotuf Plus Top Mount

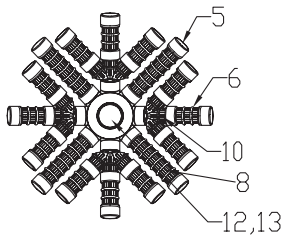
Part Number	Product Description	Diagram No.	LIST PRICE
6220208	Clamp Band 8" MKII for E602+ / E702+	3i	107.35 €
622203	Screw Overmoulded M8X60 s/s A2 Hex Bolt for E602+ / E702+	3ii	52.21 €
W22280	Washer Flat M8 Brass (8.4 x 18 x 1.5mm) for E602+ / E702+	3iii	9.00 €
W02195TLJ	DE Knob W0.6" Head Dia. Brass Insert for E602+ / E702+	3iv	9.10 €
62259	Clamp Band 6" MKII for E500+ / E600+	4i	51.44 €
621373	Bolt M6 x 55mm P/Head S/SS M/C for E500+ / E600+	4ii	5.09 €
W12783	Washes M6 Spring SS304 for E500+ / E600+	4iii	0.61 €
W22322	Square Nut M6 x 10mm x 1/2 SS304 for E500+ / E600+	4iv	9.88 €
W02117PP	Lateral Cap Nut PP	5	2.80 €
W02111PP	Lateral Waterco 75mm PP	6	4.13 €
W02112PP	Lateral Waterco 110mm PP	7	4.79 €
W02113PP	Lateral Waterco 145mm PP	8	5.05 €
W02114PP	Lateral Waterco 200mm PP	9	8.19 €
6209226	Lateral Extension Arm Assembly Short	10	19.28 €
6209227	Lateral Extension Arm Assembly Long	11	22.49 €
W02115PP	Manifold Waterco 50mm	12	POA
W02116PP	Manifold Waterco 63mm	13	POA
W22316	O-Ring 180 x 4.5mm NBR Black Shore 70	14	11.82 €
W22479	O-Ring 198 x 4.5mm NBR Black Shore 70	15	11.82 €

For multiport valves and pressure gauges - see page 12-14 of main price list

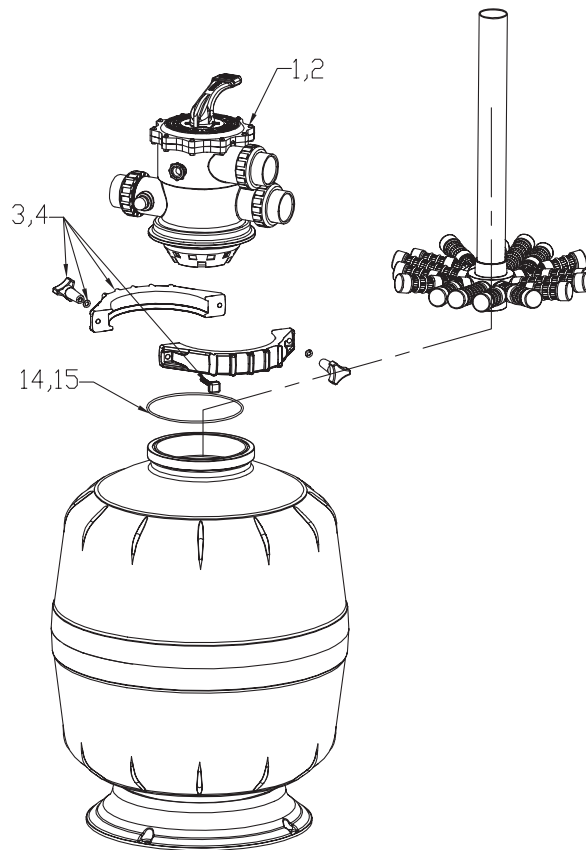
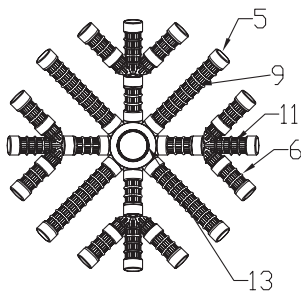
LATERAL CONFIGURATION FOR E500+



LATERAL CONFIGURATION FOR E600+ / 602+



LATERAL CONFIGURATION FOR E702+



Part. No	Product Description	Qty			
		E500+	E600+	E602+	E702+
W02117PP	Lateral Cap Nut PP	16	16	16	16
W02111PP	Lateral Waterco 75 PP	8	12	12	12
W02112PP	Lateral Waterco 110mm PP	4			
W02113PP	Lateral Waterco 145mm PP		4	4	
W02114PP	Lateral Waterco 200mm PP				4
6209226	Lateral Extension Arm Assembly Short		4	4	
6209227	Lateral Extension Arm Assembly Long	4			4
W02115PP	Manifold Waterco 40mm	1	1		
W02116PP	Manifold Waterco 50mm			1	1

Micron Side Mount Sand Filters

Part Number	Product Description	Diagram No.	LIST PRICE
620221	Air release valve	1	6.56 €
W02066	S/M Water Diffuser (Funnel)	2	15.85 €
6209291	SM 8" Lid	3	56.30 €
62024BLK	Lock Ring for 8" Lid	4	35.44 €
62026	SM Top Lid O ring 8"	5	16.94 €
121551	40mm x 80 Nipple WFE	6	POA
63032/W02209BLK	Barrel Union Nut 1 1/2"	8	2.96 €
W02213	Barrel Union O Ring 1 1/2"	n/s	5.03 €
W02083BLK	Barrel Union Nut 2"	8	4.09 €
W02280	Barrel Union O Ring 2"	n/s	3.87 €
121558	Threaded Sweep Elbow Kit 1 1/2"	6,7,8	POA
121559	Threaded Sweep Elbow Kit 2"	6,7,8	POA
W02026BLK	Drain Plug (up to & including SM900 with 2" Ports)	9	115.58 €
W02568	2" Bulk Head	n/s	37.55 €
6209430	S/M top lid clamp type	n/s	155.56 €
620269	S/M top lid o ring (clamp type)	n/s	26.44 €
620943	S/M top lid clamp & knob only	n/s	383.08 €
W02289	Air Relief Tube Screen	10	6.94 €
85251	Gulfstream Plug	11	1.23 €
W02549	Air Bleed Tube 500mm for SM500 / 600	12	4.25 €
W02550	Air Bleed Tube 740mm for SM750 / 900	12	5.17 €

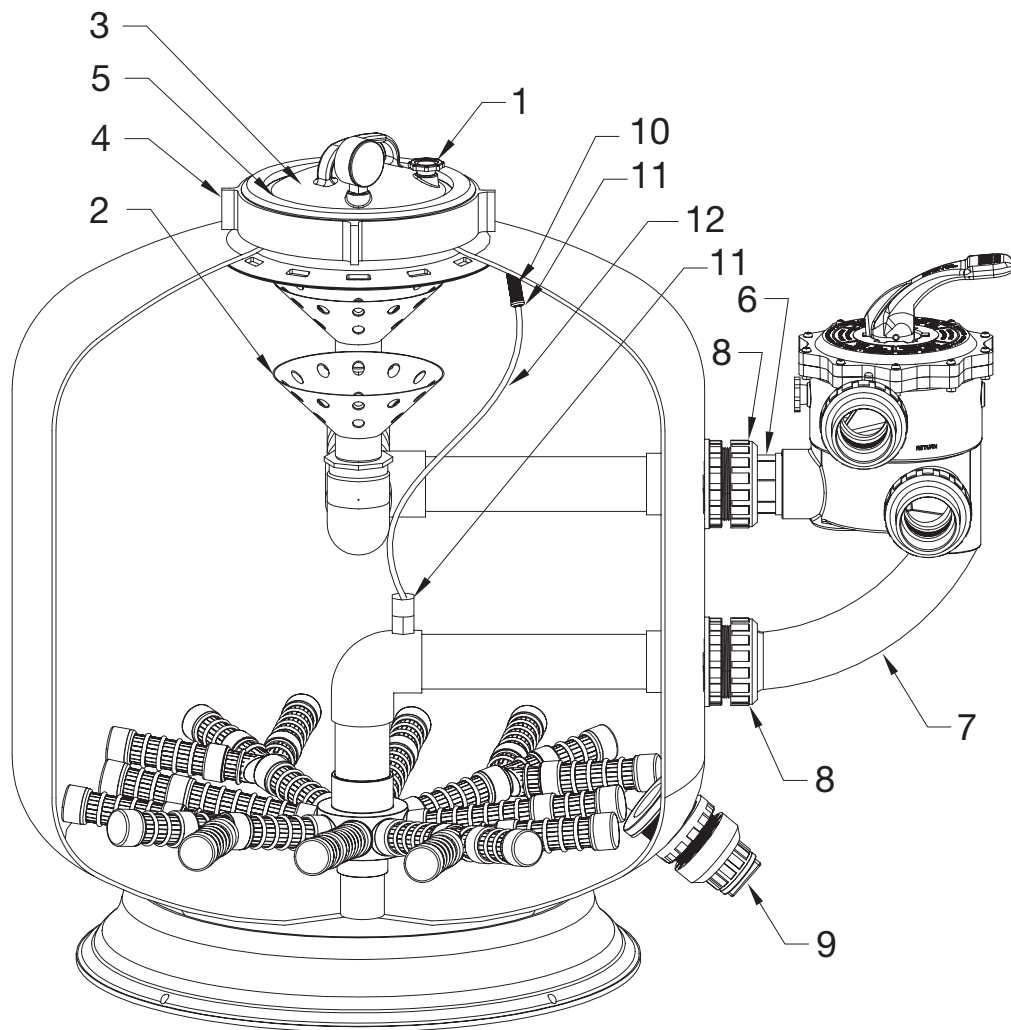
Micron/Thermoplastic Common Parts

W02115	Manifold threaded 1 1/2"		POA
W02116	Manifold threaded 2"		POA
W02111PP	Lateral threaded 75mm		4.13 €
W02112PP	Lateral threaded 110mm		4.79 €
W02113PP	Lateral threaded 145mm		5.05 €
W02114PP	Lateral threaded 200mm		8.19 €
W02117PP	Lateral threaded cap female		2.80 €
W02158PP	Lateral threaded plug male		4.33 €
W02026BLK	Drain plug assembly (15mm)		115.58 €
W04058BLK	Drain plug assembly (1 1/2"/50mm)		115.58 €
W02068	Valve Neck O Ring (suits 1 1/2" MPV)		12.45 €
W02571	Micron Valve Gasket (2")		66.01 €
62102-HBG	Micron S/S Dome Nut & Washer (set of 12)		62.20 €
122243B	1 1/2" Half Union (Black) c/w O Ring		7.31 €
122245B	50mm European metric Half Union (Black) c/w O Ring		7.52 €
W02213	1 1/2" Union O Ring		5.03 €
634024BLK	2" Half Union (Black) c/w O Ring		11.28 €
63402400	63mm European metric Half Union (Black) c/w O Ring		11.07 €
W02280	2" Union O Ring		3.87 €

For multiport valves and pressure gauges - see page 12-14 of main price list

Micron Side Mount Sand Filters

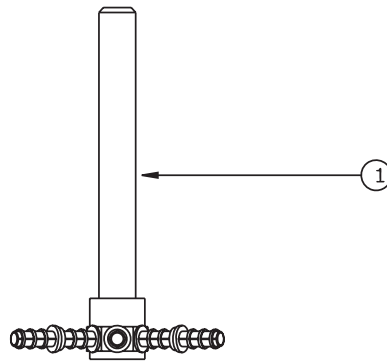
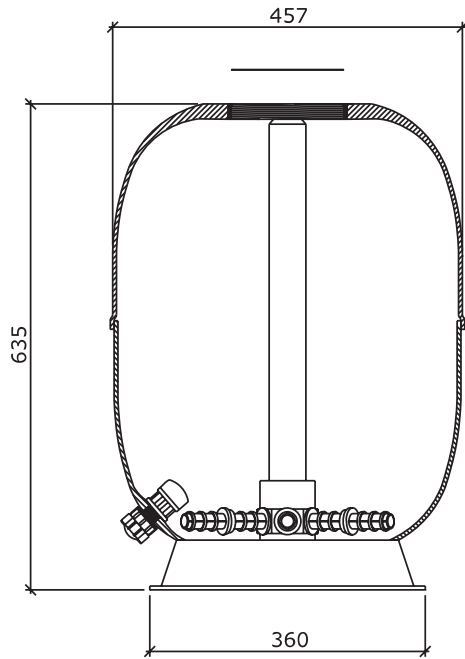
Part No:		WO2115	WO2116	WO2111PP	WO2112PP	WO2113PP	WO2114PP	WO2117PP	WO2158PP	WO2155
Model		Manifold 50mm	Manifold 63mm	Lateral 75mm	Lateral 110mm	Lateral 145mm	Lateral 200mm	Lateral End Cap Nut	Extension Arm Assy Short	Extension Arm Assy Long
SM500	Eco	1		12		4		16	4	
SM600	Eco	1		16	4			16		4
SM602	Eco		1	16	4			16		4
SM700	Eco	1		8	4		4	16		4
SM750	Eco		1	8	12	4		16	4	
SM800	Eco		1		20	4		16	4	
SM900	Eco		1	8		12	4	16	4	



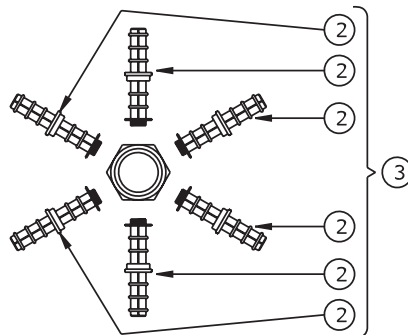
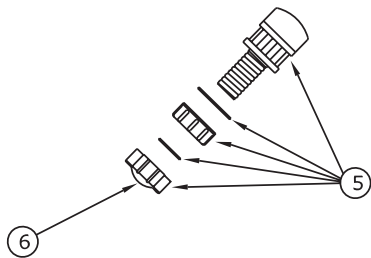
Lacron TMV-18"

Product Code: K2220180

Part Number	Product Description	Diagram No.	LIST PRICE
1366A (W12246)	18" Top Mount Internals (less candles)	1	68.15 €
62096007HBG	120mm Lateral (candle) (6)	2	14.98 €
1393 (W12247)	18" Lateral (candle) Set	3	68.15 €
1314	Top Mount Valve O Ring	4	12.45 €
620960015HBG	Drain Plug Complete	5	16.59 €
W02522C	Drain Plug Cap	6	9.63 €
621320	Centre Stem O Ring	n/s	8.57 €



SIDE VIEW

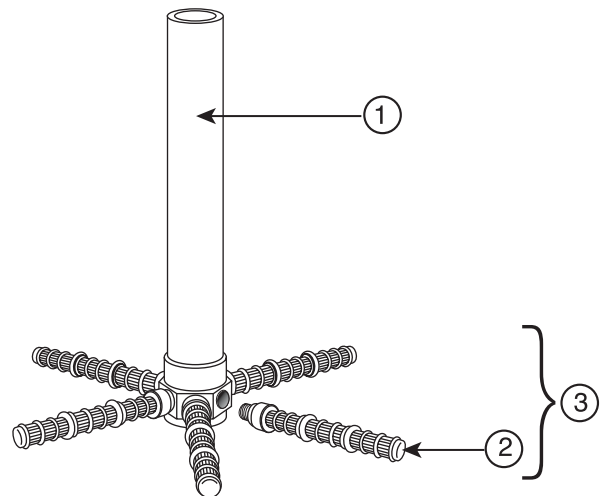
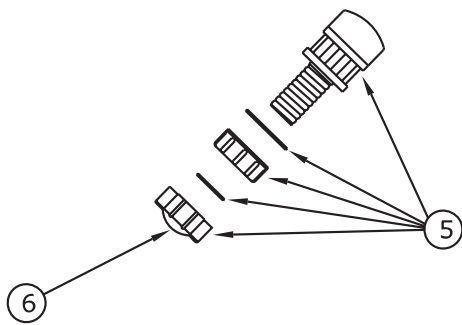
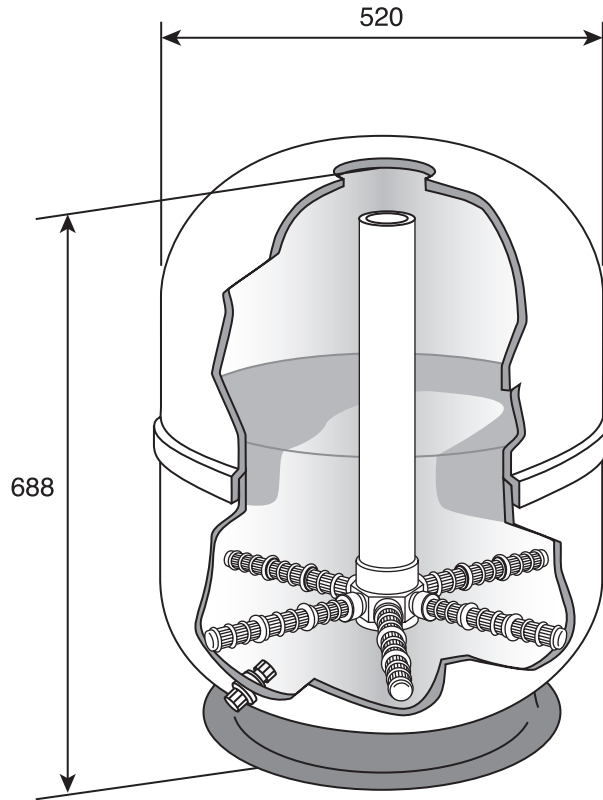


PLAN VIEW

Lacron TMV-20''

Product Code: K2220200

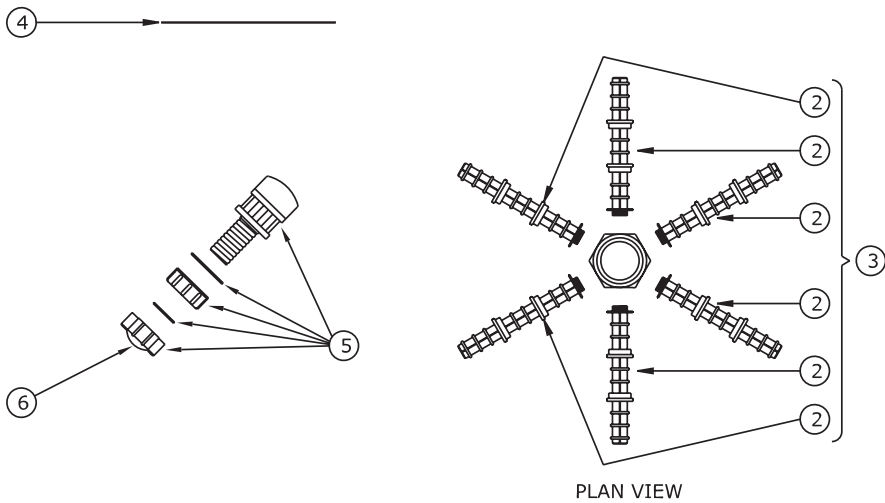
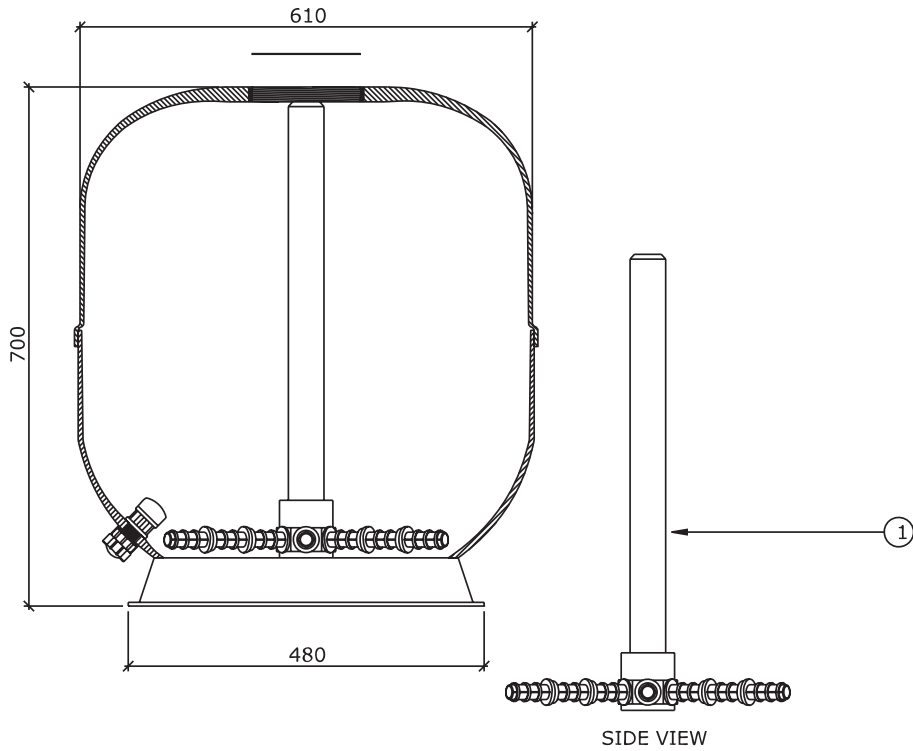
Part Number	Product Description	Diagram No.	LIST PRICE
W12274	20" Top Mount Internals (less candles)	1	71.62 €
62096008HBG	120mm + 40mm (candle) (x 6)	2	14.99 €
W12275	20" Lateral (candle) Set	3	58.47 €
1314	Top Mount Valve O Ring	4	12.45 €
620960015HBG	Drain Plug Complete	5	16.59 €
W02522C	Drain Plug Cap	6	9.63 €
621320	Centre Stem O Ring	n/s	8.57 €



Lacron TMV-24"

Product Code: K2220240

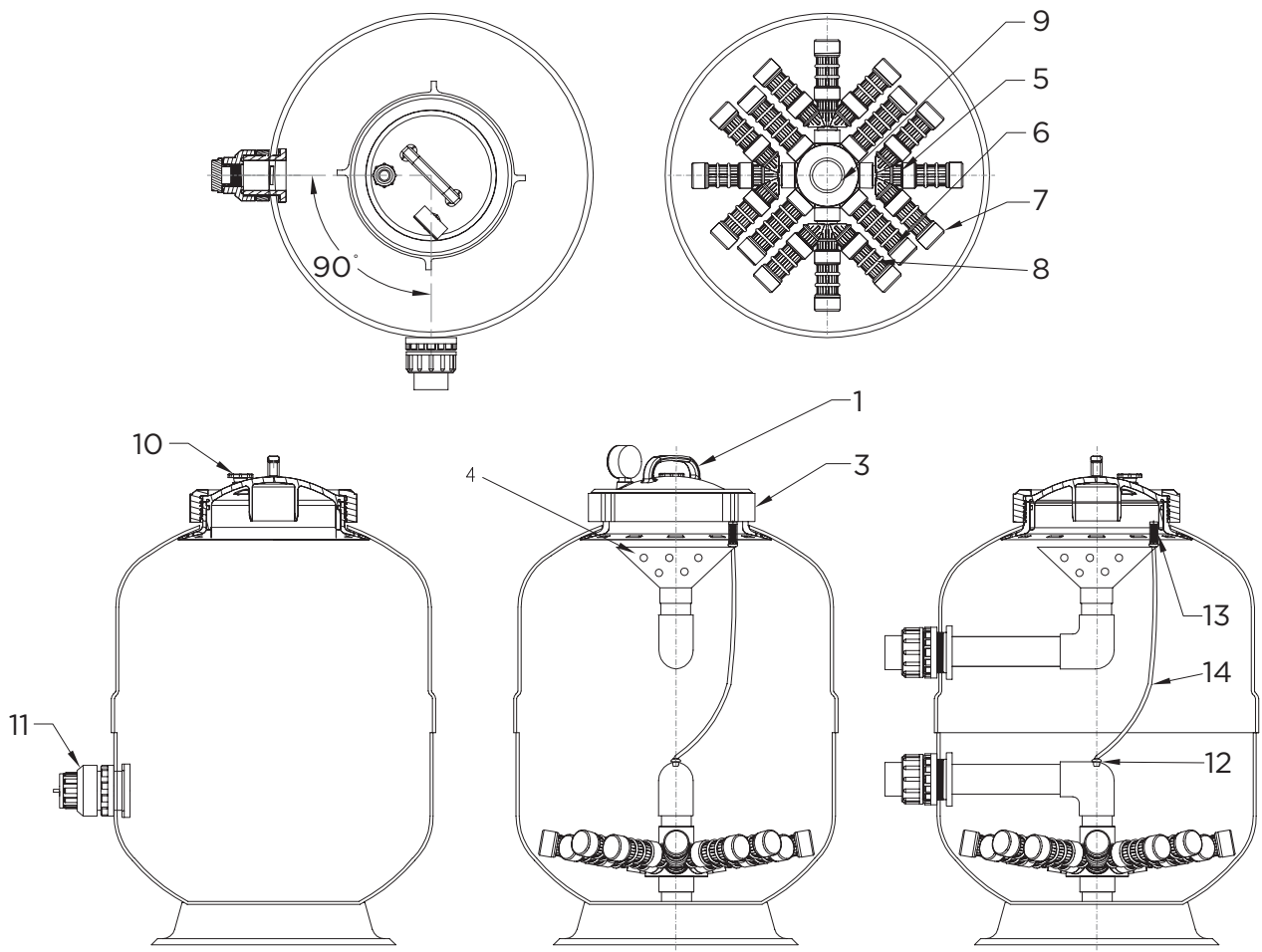
Part Number	Product Description	Diagram No.	LIST PRICE
W12243	24" Top Mount Internals (less candles)	1	71.62 €
62096008HBG	180mm Lateral (X 6)	2	14.99 €
W22218 (1394A)	24" Lateral (candle) Set	3	87.73 €
1314	Top Mount Valve O Ring	4	POA
620960015HBG	Drain Plug Complete	5	16.59 €
W02522C	Drain Plug Cap	6	9.63 €
621320	Centre Stem O Ring	n/s	8.57 €



Lacron Pure-20''

Product Code: K2220208L

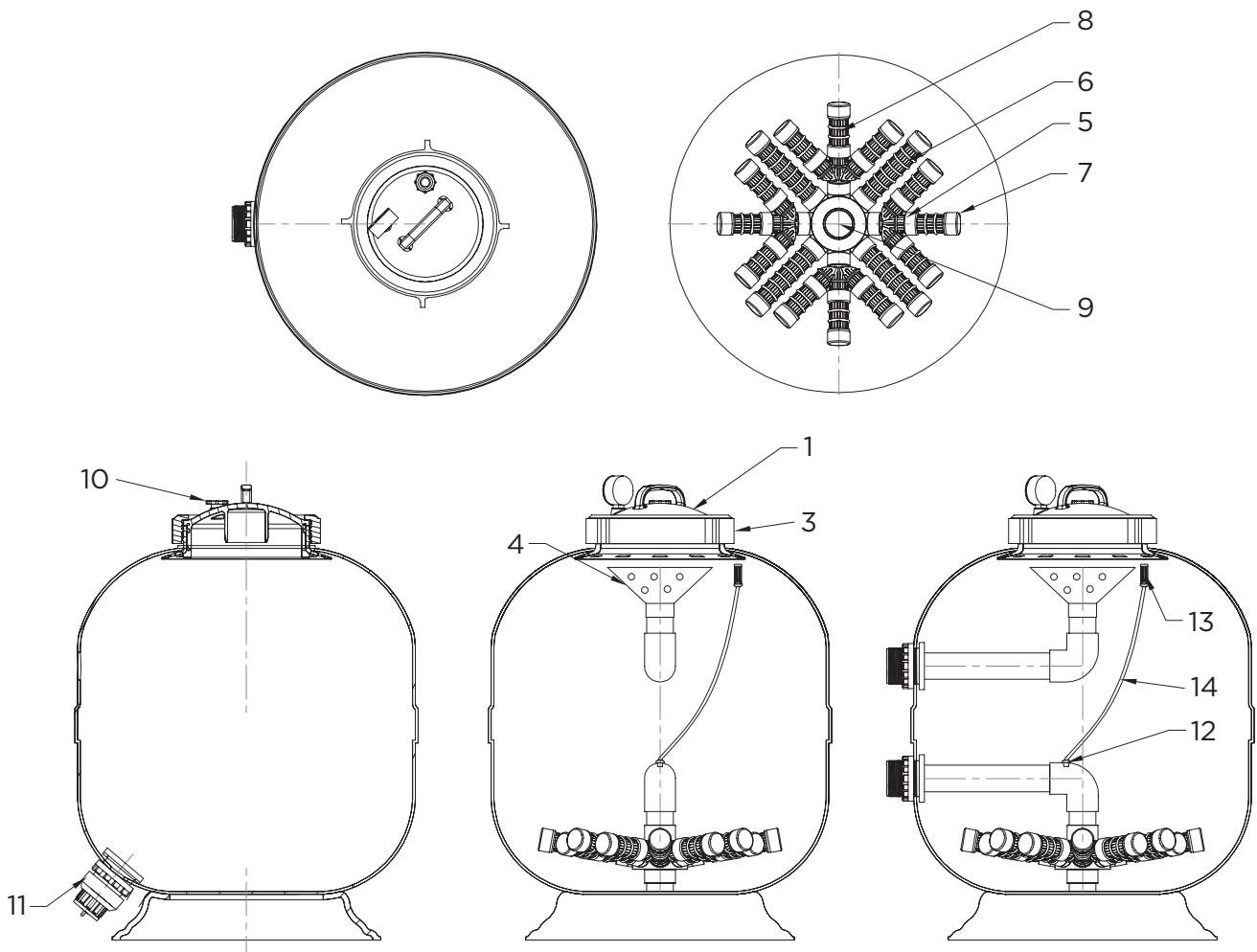
Part Number	Product Description	Diagram No.	LIST PRICE
6209291	Filter Lid 8" Clear	1	56.30 €
62026	T/L O-Ring	2	16.94 €
62024BLK	T/L Lock Ring Black	3	35.44 €
W02066	Funnel For Side Mount	4	15.85 €
6209226	Lateral Extention Arm Assembly Short (4 required per filter)	5	19.28 €
W02112PP	Lateral Waterco 110mm PP (4 required per filter)	6	4.79 €
W02117PP	Lateral End Cap Nut (16 required per filter)	7	2.80 €
W02111PP	Lateral Waterco 75mm PP (12 required per filter)	8	4.13 €
W02115	Manifold Waterco 50mm	9	POA
620221	Air Relief Valve New Style Black	10	6.56 €
W04058BLK	Drain Plug 50mm Complete	11	115.58 €
W02268	Gasket 50mm Bulkhead		11.48 €
W02271BLK	Bulkhead Lock Nut 50mm Black		6.11 €
W02272BLK	Bulkhead Threaded Body 50mm Black		4.76 €
W02158PP	Lateral End Cap Screw PP		4.33 €
W02213	O-Ring 50mm B/U EPDM		5.03 €
W02267	Drain Plug 50mm O-Ring		4.77 €
W02269BLK	Drain Plug Body 50mm Black		5.24 €
W02270BLK	Drain Plug End Cap 50mm Black		6.60 €
85251	Gulfstream Plug	12	1.23 €
W02289	Air Relief Tube Screen	13	6.94 €
W02549	T/L Moulded Air Bleed 500mm C50	14	4.25 €



Lacron Pure-24"

Product Code: K2220248L

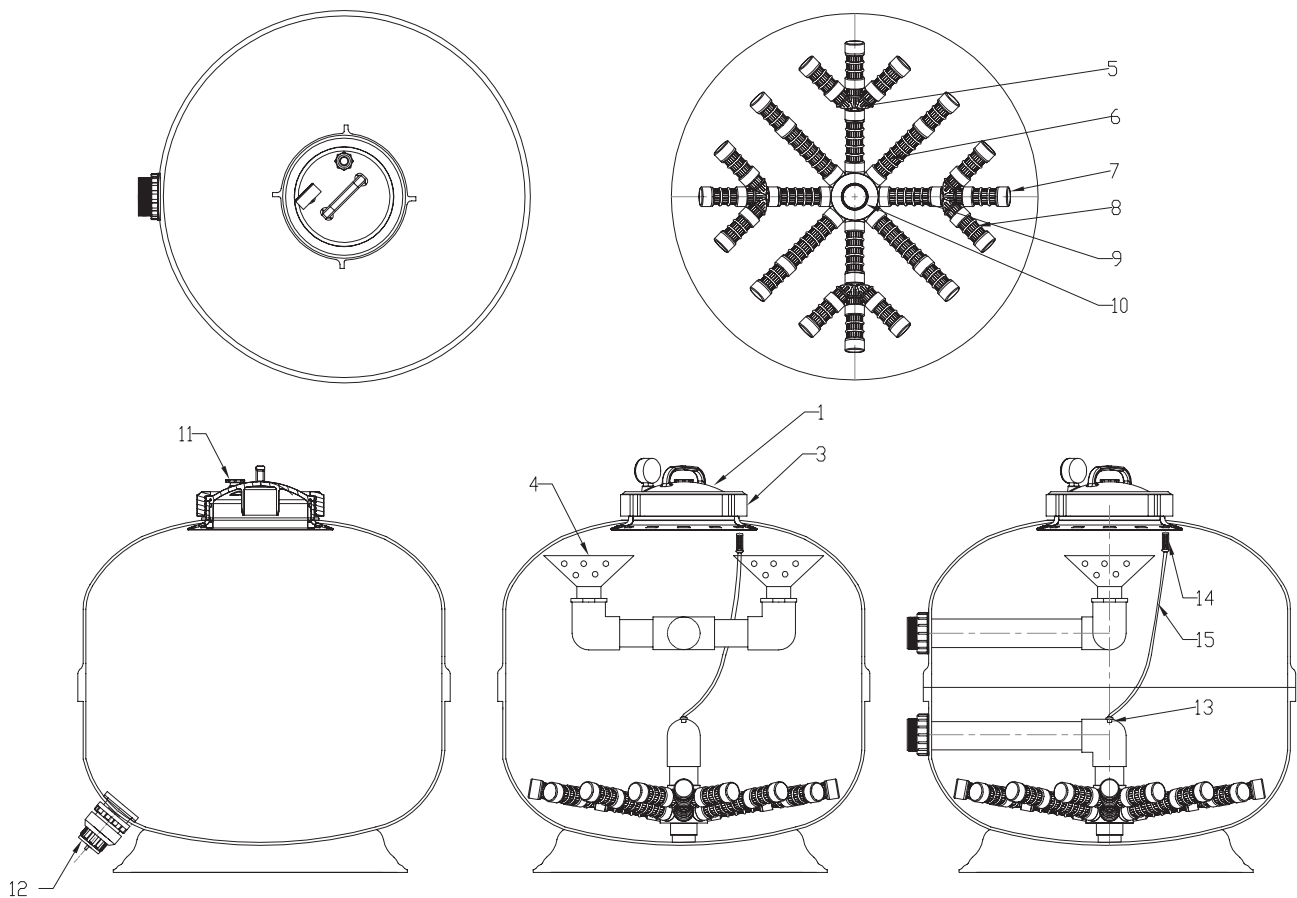
Part Number	Product Description	Diagram No.	LIST PRICE
6209291	Filter Lid 8" Clear	1	56.30 €
62026	T/L O-Ring	2	16.94 €
62024BLK	T/L Lock Ring Black	3	35.44 €
W02066	Funnel For Side Mount	4	15.85 €
6209226	Lateral Extention Arm Assembly Short (4 required per filter)	5	19.28 €
W02113PP	Lateral Waterco 145mm PP (4 required per filter)	6	5.05 €
W02117PP	Lateral End Cap Nut (16 required per filter)	7	2.80 €
W02111PP	Lateral Waterco 75mm PP (12 required per filter)	8	4.13 €
W02115	Manifold Waterco 50mm	9	POA
620221	Air Relief Valve New Style Black	10	6.56 €
W04058BLK	Drain Plug 50mm Complete	11	115.58 €
W02268	Gasket 50mm Bulkhead		11.48 €
W02271BLK	Bulkhead Lock Nut 50mm Black		6.11 €
W02272BLK	Bulkhead Threaded Body 50mm Black		4.76 €
W02158PP	Lateral End Cap Screw PP		4.33 €
W02213	O-Ring 50mm B/U EPDM		5.03 €
W02267	Drain Plug 50mm O-Ring		4.77 €
W02269BLK	Drain Plug Body 50mm Black		5.24 €
W02270BLK	Drain Plug End Cap 50mm Black		6.60 €
85251	Gulfstream Plug	12	1.23 €
W02289	Air Relief Tube Screen	13	6.94 €
W02549	T/L Moulded Air Bleed 500mm C50	14	4.25 €



Lacron Pure-30''

Product Code: K2220308L

Part Number	Product Description	Diagram No.	LIST PRICE
6209291	Filter Lid 8" Clear	1	56.30 €
62026	T/L O-Ring	2	16.94 €
62024BLK	T/L Lock Ring Black	3	35.44 €
W02066	Funnel For Side Mount	4	15.85 €
6209226	Lateral Extention Arm Assembly Short (4 required per filter)	5	19.28 €
W02113PP	Lateral Waterco 145mm PP (4 required per filter)	6	5.05 €
W02117PP	Lateral End Cap Nut (16 required per filter)	7	2.80 €
W02111PP	Lateral Waterco 75mm PP (12 required per filter)	8	4.13 €
W02112PP	Lateral Waterco 110mm PP (4 required per filter)	9	4.79 €
W02116	Manifold Waterco 63mm	10	POA
620221	Air Relief Valve New Style Black	11	6.56 €
W04058BLK	Drain Plug 50mm Complete	12	115.58 €
W02268	Gasket 50mm Bulkhead		11.48 €
W02271BLK	Bulkhead Lock Nut 50mm Black		6.11 €
W02272BLK	Bulkhead Threaded Body 50mm Black		4.76 €
W02158PP	Lateral End Cap Screw PP		4.33 €
W02213	O-Ring 40mm B/U EPDM		5.03 €
W02267	Drain Plug 50mm O-Ring		4.77 €
W02269BLK	Drain Plug Body 50mm Black		5.24 €
W02270BLK	Drain Plug End Cap 50mm Black		6.60 €
85251	Gulfstream Plug	13	1.23 €
W02289	Air Relief Tube Screen	14	6.94 €
W02549	T/L Moulded Air Bleed 740mm C75	15	4.25 €



Lacron LSR-16

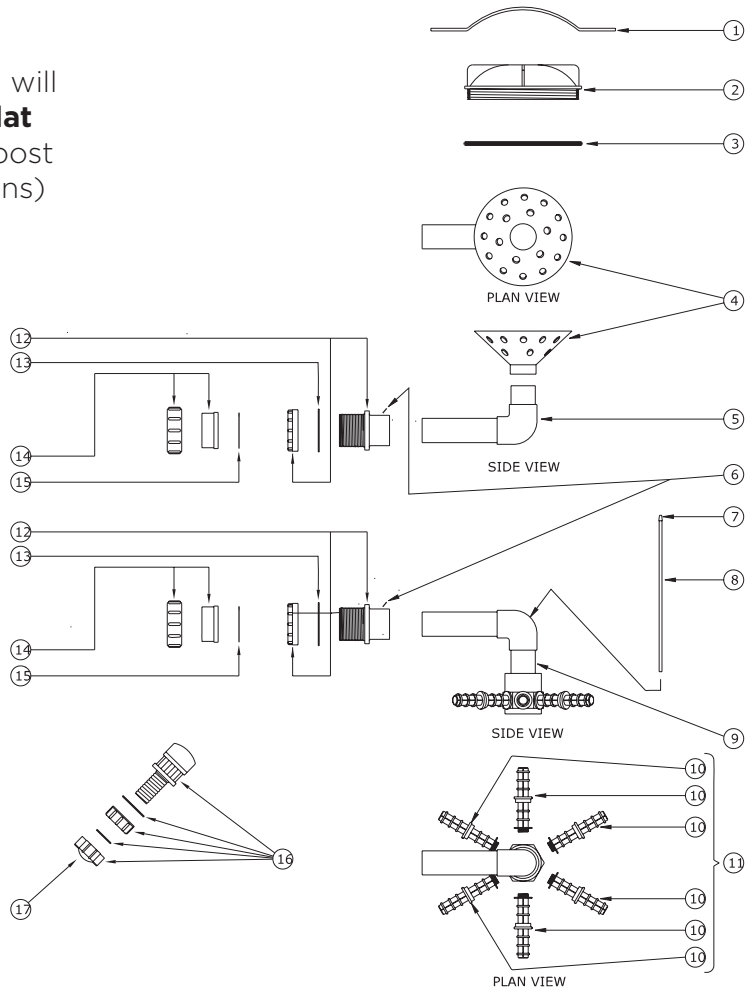
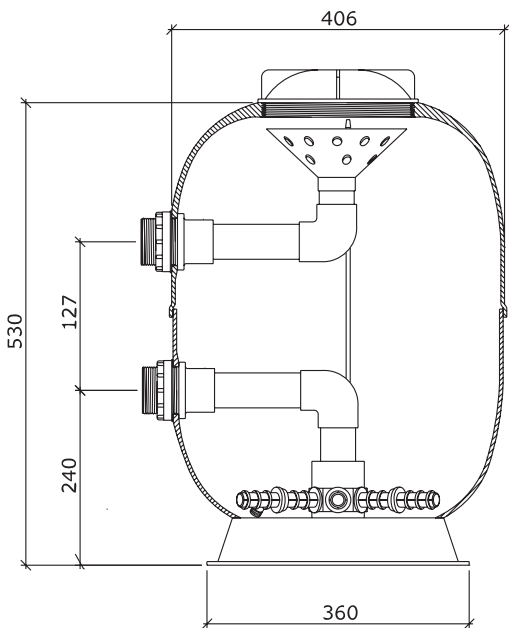
Product Code: K222016

Part Number	Product Description	Diagram No.	LIST PRICE
6012 (1304A)	Lacron lid removal tool (8" new type) Metal	1	68.92 €
W22235	Lid removal tool Plastic	n/s	26.29 €
62092920HBG	Lid (8" new type) Polycarbonate	2	105.19 €
621053HBG	Lid 'O' ring 8"	3	17.84 €
620221	Air relief tap	n/s	6.56 €
W02066B	Rose distributor 5.5"	4	15.85 €
1366 (W32363)	1.5" Header (less rose)	5	67.02 €
1671	3/4" Self tap screw (Pack of 10)	6	9.50 €
W12045	Air bleed cap. Also order 1 x 85251 Rubber Grommit @ 0.85	7	5.65 €
17100 (W02549)	16" Lacron air bleed tube	8	4.25 €
1363 (W12247)	16" - 1.5" Underdrain less candles	9	POA
62096007HBG	120mm Lateral (candle) (X 6 required per filter)	10	14.98 €
1393 (W12247)	lateral (candle) set	11	68.15 €
1222400HBG	1.5" Bulkhead fitting inc nut (Set of 2)	12	36.14 €
W02268HBG	1.5" Bulkhead Gasket (set of 2)	13	16.11 €
W32554-2HBG	1.5" Union Adaptor nut and sleeve (set of 2)	14	31.87 €
W32702-HBG	1.5" Union adaptor 'O' Ring (set of 2)	15	10.05 €
620960015HBG	Drain plug complete	16	16.59 €
W02522C	Drian plug - cap only	17	9.63 €
W04002PP	16"/18"/20" Base Stand	n/a	51.26 €

PRE 2006			
W02992-2HBG	1.5" Union adaptor inc sleeve (Set of 2)	14	31.88 €
W12332-2HBG	1.5" Union adaptor gasket (set of 2)	15	10.09 €
W02989	1.5" Bulkhead Fitting inc. Nut (Set of 2)	12	36.14 €
W02268HBG	1.5" Bulkhead gasket	13	16.11 €

PLEASE NOTE:

1.1/2" Lacron filters manufactured pre 2006 will have union adaptors (Barrel Unions) with **flat gaskets** 1.1/2" Lacron filters manufactured post 2006 will have union adaptors (Barrel Unions) with 'O' rings



Lacron LSR-18

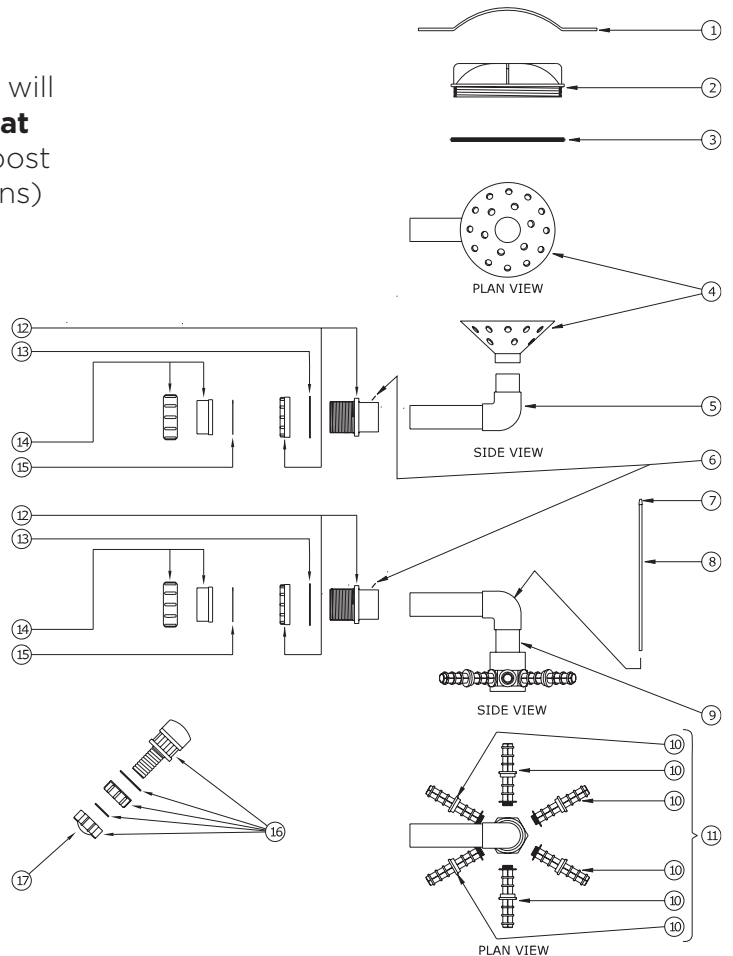
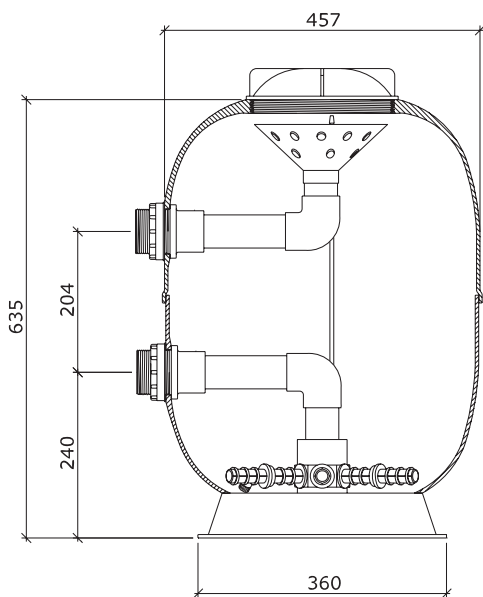
Product Code: K222018N

Part Number	Product Description	Diagram No.	LIST PRICE
6012 (1304A)	Lid removal tool (8" new type) Metal	1	68.92 €
W22235	Lid removal tool Plastic	n/s	26.29 €
62092920HGB	8" Lid Polycarbonate (Pre 2022)	2	105.19 €
621053HGB	Lid 'O' Ring 8" (Pre 2022)	3	17.84 €
6209291	SM 8" Lid (Post 2023)		56.30 €
62024BLK	Lock Ring for 8" Lid (Post 2023)		35.44 €
620929	6" Polycarbonate Lid	2	70.84 €
W02068	6" Lid 'O' Ring	3	12.45 €
620221	Air relief tap	n/s	6.56 €
W02066B	Rose distributor 5.5"	4	15.85 € </td
1366 (W32363)	1.5" Header (less rose)	5	67.02 €
1671	3/4" Self tap screw (Pack of 10)	6	9.50 €
W12045	Air bleed cap. Also order 1 x 85251 Rubber Grommit @ 0.85	7	5.65 €
17101 (W02549)	18" Airbleed tube	8	POA
W22510 (1365)	18" - 1.5" Underdrain (less candles)	9	64.07 €
62096007HGB	120mm Lateral (candle) (X 6 required per filter)	10	14.98 €
1393 (W12247)	Lateral (candle) set	11	68.15 €
1222400HGB	1.5" Bulkhead fitting including nut	12	36.14 €
W02268HGB	1.5" Bulkhead gasket (Set of 2)	13	16.11 €
W32554-2HGB	1.5" Union adaptor including sleeve (set of 2)	14	31.87 €
W32702-HBG	1.5" Union adaptor O-ring (set of 2)	15	10.05 €
620960015HGB	Drain plug complete	16	16.59 €
W02522C	Drain plug cap only	17	9.63 €
W04002PP	16"/18"/20" Base Stand	n/a	51.26 €

PRE 2006			
W02992-2HGB	1.5" Union Adaptor nut and sleeve (set of 2)	14	31.88 €
W12332-2HGB	1.5" Union adapter gasket (set of 2)	15	10.09 €
W02989	1.5" Bulkhead Fitting inc. Nut	12	36.14 €
W02268HGB	1.5" Bulkhead gasket	13	16.11 €

PLEASE NOTE:

1.1/2" Lacron filters manufactured pre 2006 will have union adaptors (Barrel Unions) with **flat gaskets** 1.1/2" Lacron filters manufactured post 2006 will have union adaptors (Barrel Unions) with 'O' rings



Lacron LSR-20

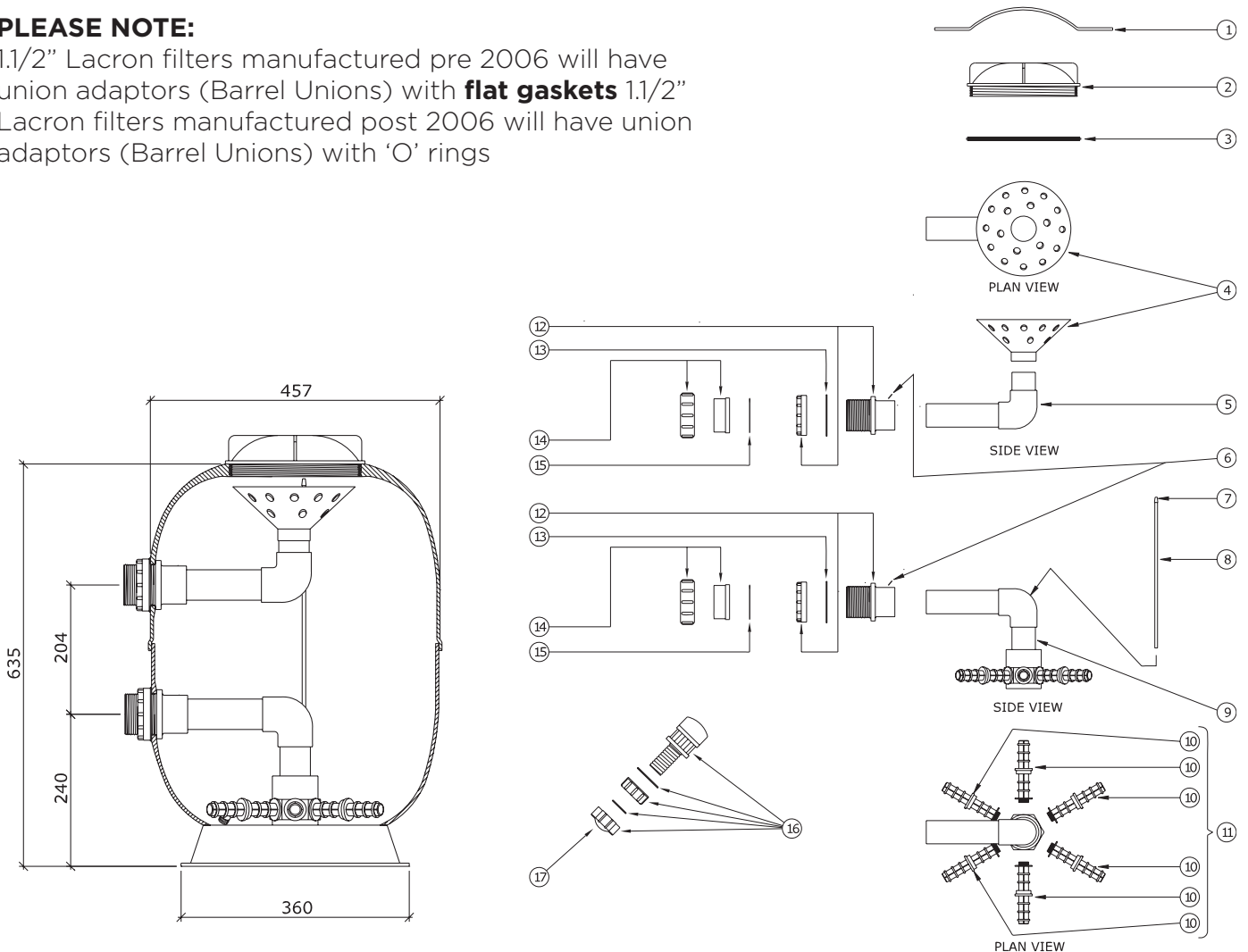
Product Code: K222020N

Part Number	Product Description	Diagram No.	LIST PRICE
6012 (1304A)	Lid removal tool (8" new type) Metal	1	68.92 €
W22235	Lid removal tool Plastic	n/s	26.29 €
62092920HBG	8" Lid Polycarbonate (Pre 2022)	2	105.19 €
621053HBG	Lid 'O' Ring 8" (Pre 2022)	3	POA
6209291	SM 8" Lid (Post 2023)		56.30 €
62024BLK	Lock Ring for 8" Lid (Post 2023)		35.44 €
W02066	Rose distributor	4	67.02 €
1366 (W32363)	1.5" Header (less rose)	5	9.50 €
1671	3/4" Self tap screw (Pack of 10)	6	5.65 €
W12045	Air bleed cap. Also order 1 x 85251 Rubber Grommit @ 0.85	7	10.82 €
17101A	20" Airbleed tube	8	POA
W22510 (1365A)	20" - 1.5" Underdrain (less candles)	9	14.98 €
62096007HBG	120mm Lateral (candle) (x 6 required per filter)	10	87.73 €
W12275 (1393A)	Lateral (candle) set	11	58.47 €
1222400HBG	1.5" Bulkhead fitting including nut	12	36.14 €
W02268HBG	1.5" Bulkhead gasket (Set of 2)	13	16.11 €
W32554-2HBG	1.5" Union Adaptor nut and sleeve (set of 2)	14	31.87 €
W32702-HBG	1.5" Union adaptor 'O' Ring (set of 2)	15	10.05 €
620960015HBG	Drain plug complete	16	16.59 €
W02522C	Drain plug cap only	17	9.63 €
W04002PP	16"/18"/20" Base Stand	n/a	51.26 €

PRE 2006			
W02992-2HBG	1.5" Union adaptor including sleeve (set of 2)	14	31.88 €
W12332-2HBG	1.5" Union adaptor gasket (set of 2)	15	10.09 €
W02989	1.5" Bulkhead fitting including Nut	12	36.14 €
W02268HBG	1.5" Bulkhead gasket	13	16.11 €

PLEASE NOTE:

1.1/2" Lacron filters manufactured pre 2006 will have union adaptors (Barrel Unions) with **flat gaskets** 1.1/2" Lacron filters manufactured post 2006 will have union adaptors (Barrel Unions) with 'O' rings



Lacron LSR-24

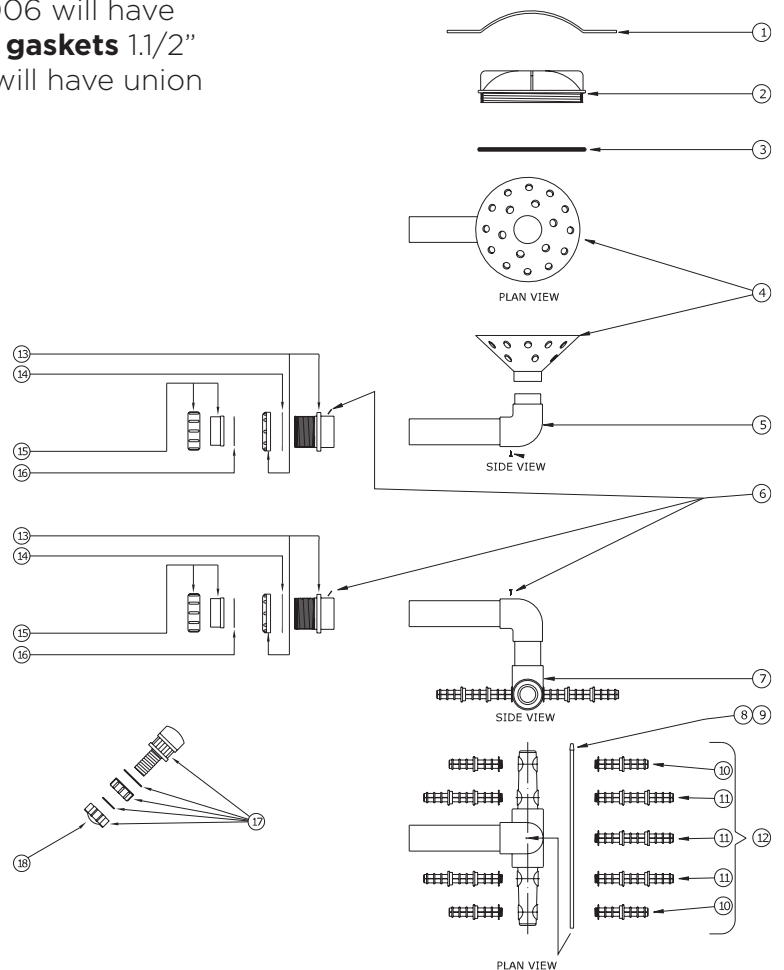
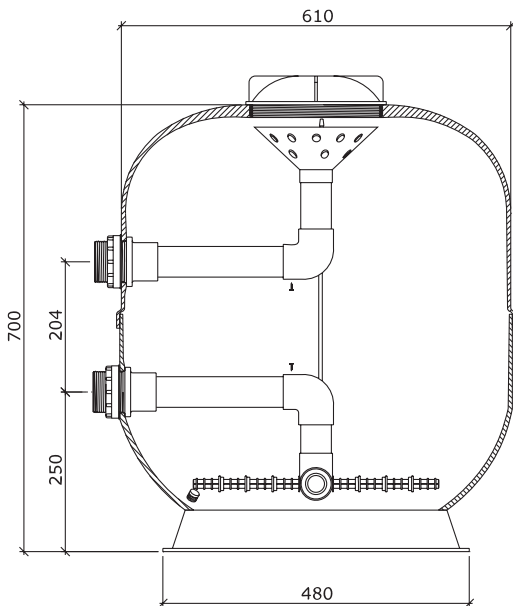
Product Code: K222024N

Part Number	Product Description	Diagram No.	LIST PRICE
6012 (1304A)	Lid Removal Tool (8" New Type) Metal	1	68.92 €
W22235	Lid removal tool Plastic	n/s	26.29 €
62092920HGB	8" Lid Polycarbonate (Pre 2022)	2	POA
621053HGB	Lid 'O' Ring 8" (Pre 2022)	3	POA
6209291	SM 8" Lid (Post 2023)		56.30 €
62024BLK	Lock Ring for 8" Lid (Post 2023)		35.44 €
W02066	Rose Distributor	4	15.85 €
1366 (W32363)	1.5" Header (Less Rose)	5	67.02 €
1671	3/4" Self Tap Screw (Pack Of 10)	6	9.50 €
W22216 (1367)	24" - 1.5" Underdrain Less Candles	7	71.63 €
W02549 (17102)	24" Lacron Airbleed	8	POA
W12045	Air Bleed Cap. Also order 1 x 85251 Rubber Grommit @ 0.85	9	5.65 €
62096007HGB	120Mm Lateral (Candle) (X 4 required per filter)	10	14.98 €
62096008HGB	180Mm Lateral (Candle) (X 6 required per filter)	11	14.99 €
W22218 (1394)	Lateral (Candle) Set	12	87.73 €
1222400HGB	1.5" Bulkhead Fitting (Plus Nut)	13	36.14 €
W02268HGB	1.5" Bulkhead Gasket (Set Of 2)	14	16.11 €
W32554-2HGB	1.5" Union Adaptor Nut And Sleeve (Set Of 2)	15	31.87 €
W32702-HBG	1.5" Union Adaptor 'O' Ring (Set Of 2)	16	10.05 €
620960015HGB	Drain Plug Complete	17	16.59 €
W02522C	Drain Plug Cap	18	9.63 €
W04003PP	24" Base Stand	n/a	46.18 €

PRE 2006			
W02992-2HGB	1.5" Adaptor Union (Plus Sleeve) (Set Of 2)	15	31.88 €
W12332-2HGB	1.5" Adaptor Gasket (Set Of 2)	16	10.09 €
W02989	1.5" Bulkhead Fitting Including Nut	13	36.14 €
W02268HGB	1.5" Bulkhead Gasket	14	16.11 €

PLEASE NOTE:

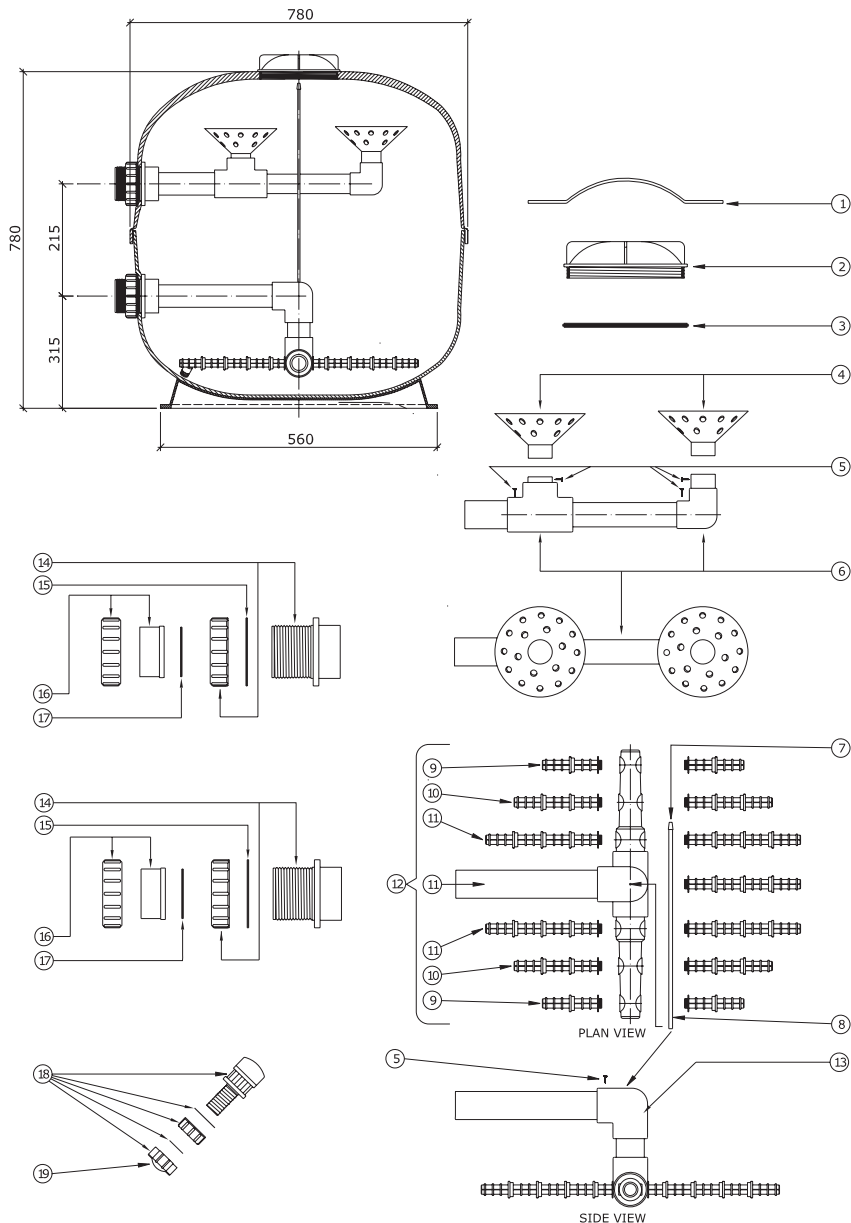
1.1/2" Lacron filters manufactured pre 2006 will have union adaptors (Barrel Unions) with **flat gaskets** 1.1/2" Lacron filters manufactured post 2006 will have union adaptors (Barrel Unions) with 'O' rings



Lacron LSR-30

Product Code: 222030N

Part Number	Product Description	Diagram No.	LIST PRICE
6012 (1304A)	Lacron Lid Removal Tool (8" New Type)	1	68.92 €
W22235	Lid Removal Tool Plastic	n/s	26.29 €
62092920HBG	8" Lid Polycarbonate (Pre 2022)	2	105.19 €
621053HBG	Lid 'O' Ring 8" (Pre 2022)	3	17.84 €
6209291	SM 8" Lid (Post 2023)		56.30 €
62024BLK	Lock Ring for 8" Lid (Pst 2023)		35.44 €
W02066	Rose Distributor	4	15.85 €
1671	$\frac{3}{4}$ " Self Tap Screw (Pack Of 10)	5	9.50 €
1370	2" Header (Less Rose)	6	109.28 €
W12045	Air Bleed Cap. Also order 1 x 85251 Rubber Grommit @ 0.85	7	5.65 €
W02550 (17103)	30" Lacron Airbleed	8	5.17 €
62096007HBG	120mm Lateral (Candle) (X 4 required per filter)	9	14.98 €
62096008HBG	180mm Lateral (Candle) (X 4 required per filter)	10	14.99 €
62096009HBG	240mm Lateral (Candle) (X 6 required per filter)	11	18.07 €
W22219 (1395)	Lateral (Candle) Set	12	189.04 €
W22217 (1369)	30" - 2" Underdrain Less Candles	13	125.05 €
62096014HBG	2" Bulkhead Fitting (Plus Nut)	14	43.13 €
W12252HBG	2" Bulkhead Gasket (Set Of 2)	15	8.44 €
W02990-2HBG	2" Adaptor Union (Plus Sleeve) (Set Of 2)	16	40.38 €
W12253-2HBG	2" Adaptor Gasket (Set Of 2)	17	16.59 €
620960015HBG	Drain Plug Complete	18	16.59 €
W02522C	Drain Plug Cap	19	9.63 €
W04004PP	30" Base Stand	n/a	57.52 €



Lacron LSR-36 - 2" Ports

Product Code: 2220361

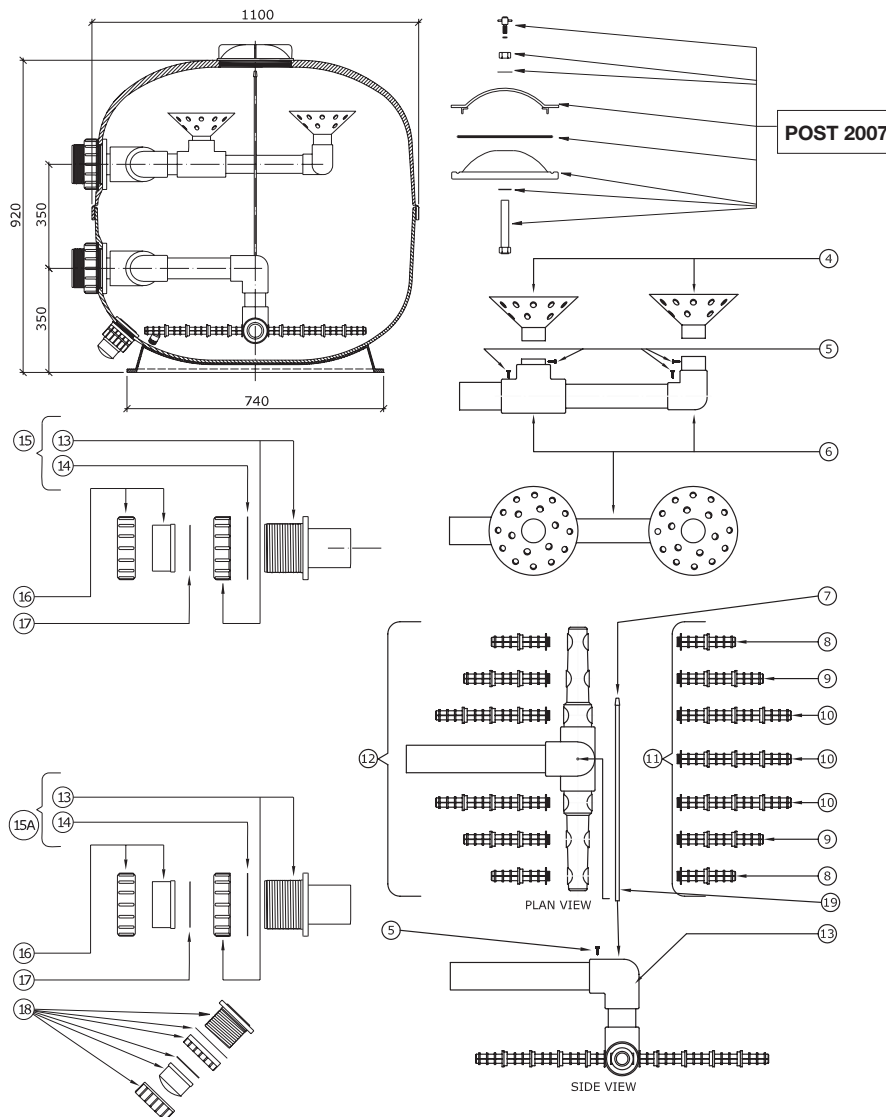
Part Number	Product Description	Diagram No.	LIST PRICE
W02066	Rose Distributor	4	15.85 €
1671	3/4" Self Tap Screw (Pack Of 10)	5	9.50 €
1370	2" Header (Less Rose)	6	109.28 €
W12045	Air Relief Tube Screen	7	5.65 €
17104	36" Lacron Airbleed (840mm)	19	19.38 €
62096007HBG	120mm Lateral (Candle) (X 4 required per filter)	8	14.98 €
62096008HBG	180mm Lateral (Candle) (X 4 required per filter)	9	14.99 €
62096009HBG	240mm Lateral (Candle) (X 6 required per filter)	10	18.07 €
1395A	Lateral (Candle) Set	11	209.81 €
1388B	2" Underdrain Less Candles	12a,12b,12c	347.28 €
62096014HBG	2" Bulkhead Fitting (Plus Nut)	13	43.13 €
W12252HBG	2" Bulkhead Gasket (Set Of 2)	14	8.44 €
W02990-2HBG	2" Adaptor Union (Plus Sleeve)	16	40.38 €
W12253-2HBG	2" Adaptor Gasket (Set Of 2)	17	16.59 €
W04058BLK	40mm Drain Plug Complete	18	115.58 €
W04854	36" Base Stand	n/s	234.01 €

For filters supplied prior to Clamp Style Lid

6012 (1304A)	Lacron Lid Removal Tool (8" New Type)	n/s	68.92 €
62092920HBG	Lacron Lid (Polycarbonate 8" New Type)	n/s	105.19 €
621053HBG	Lacron Lid 'O' Ring	n/s	17.84 €

Post 2007 'Clamp Lid'

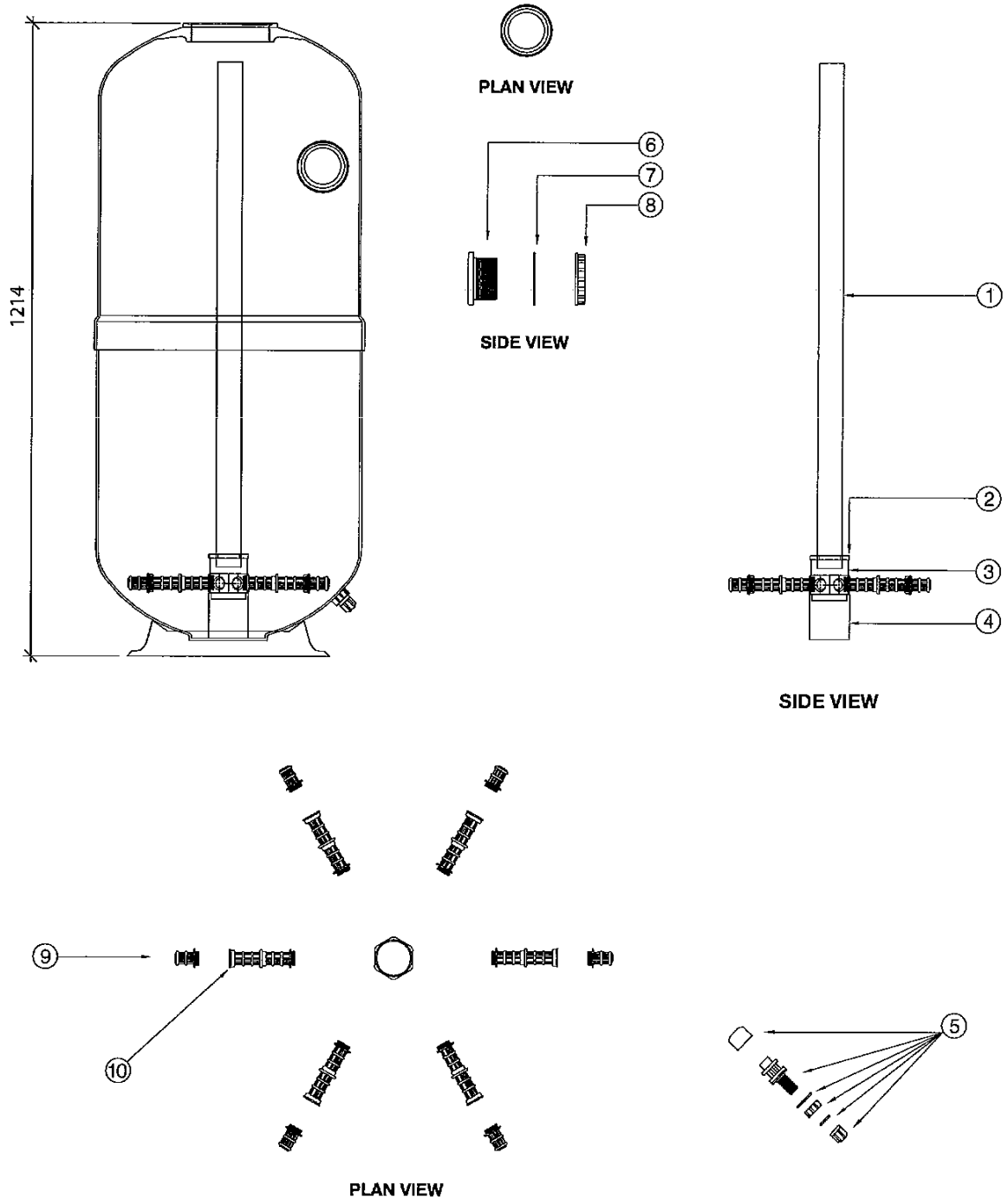
W12076	Nylon Air Relief Tap + 'O' Ring		16.69 €
W12248	Lid Retaining Clamp C/W Screw & Nut		174.44 €
W02933 (1993)	Small Oval Lid O Ring		22.59 €
W12135	Small Oval Lid		182.32 €



Lacron Plus Top Mount-20''

Product Code: 2220200

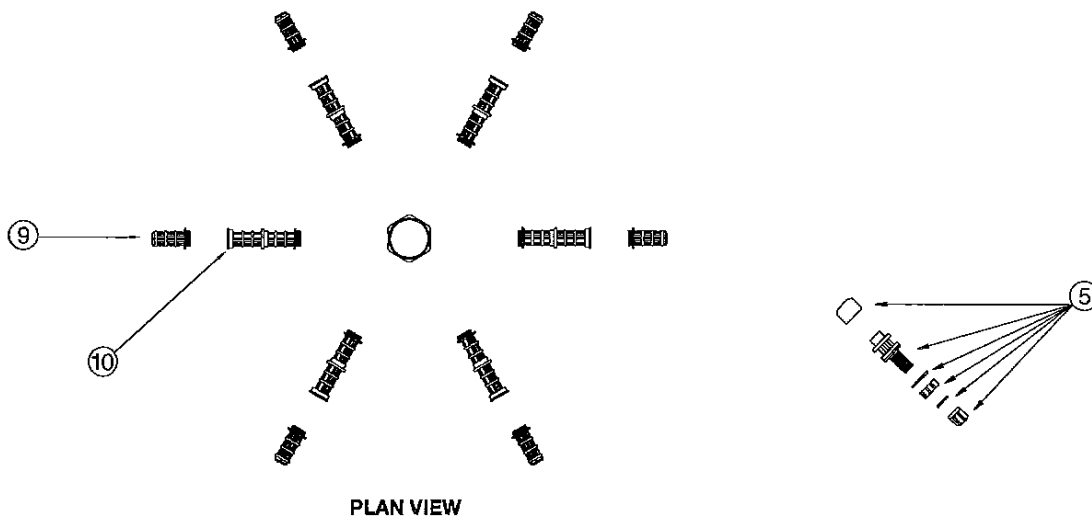
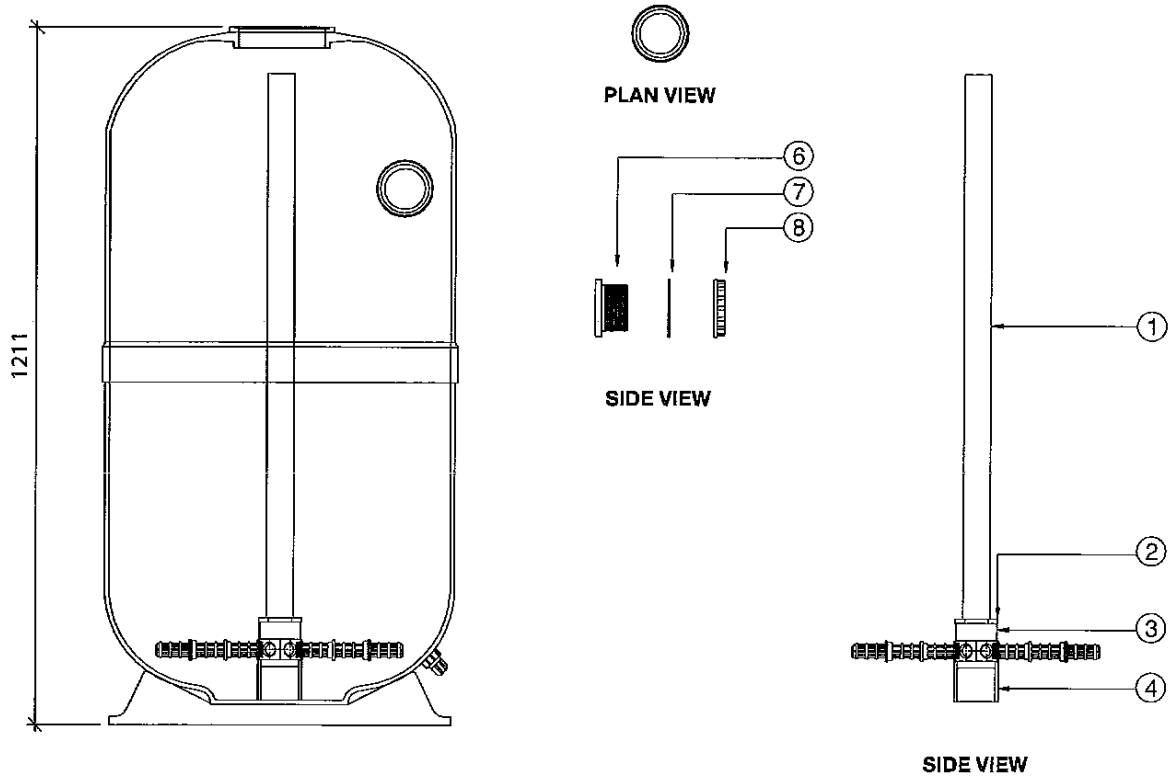
Part Number	Product Description	Diagram No.	LIST PRICE
W99019	Pipe 1.5"	1	1.40 €
12555BLK	REDUCING BUSH 50 X 40	2	4.77 €
W12241	Hexagonal Manifold	3	13.13 €
116512	Pipe 65mm CL 12	4	3.27 €
620960015HBG	Drain Plug Complete 15mm	5	16.59 €
W22314	Sight glass 2" moulded	6	22.44 €
W02080	Gasket sight glass 2"	7	18.17 €
W02567	B/H lock Nut 2"	8	16.79 €
W02986	Candle 40mm capped (6 required per filter)	9	3.75 €
W02991	Candle 120mm open (6 required per filter)	10	4.49 €



Lacron Plus Top Mount-24"

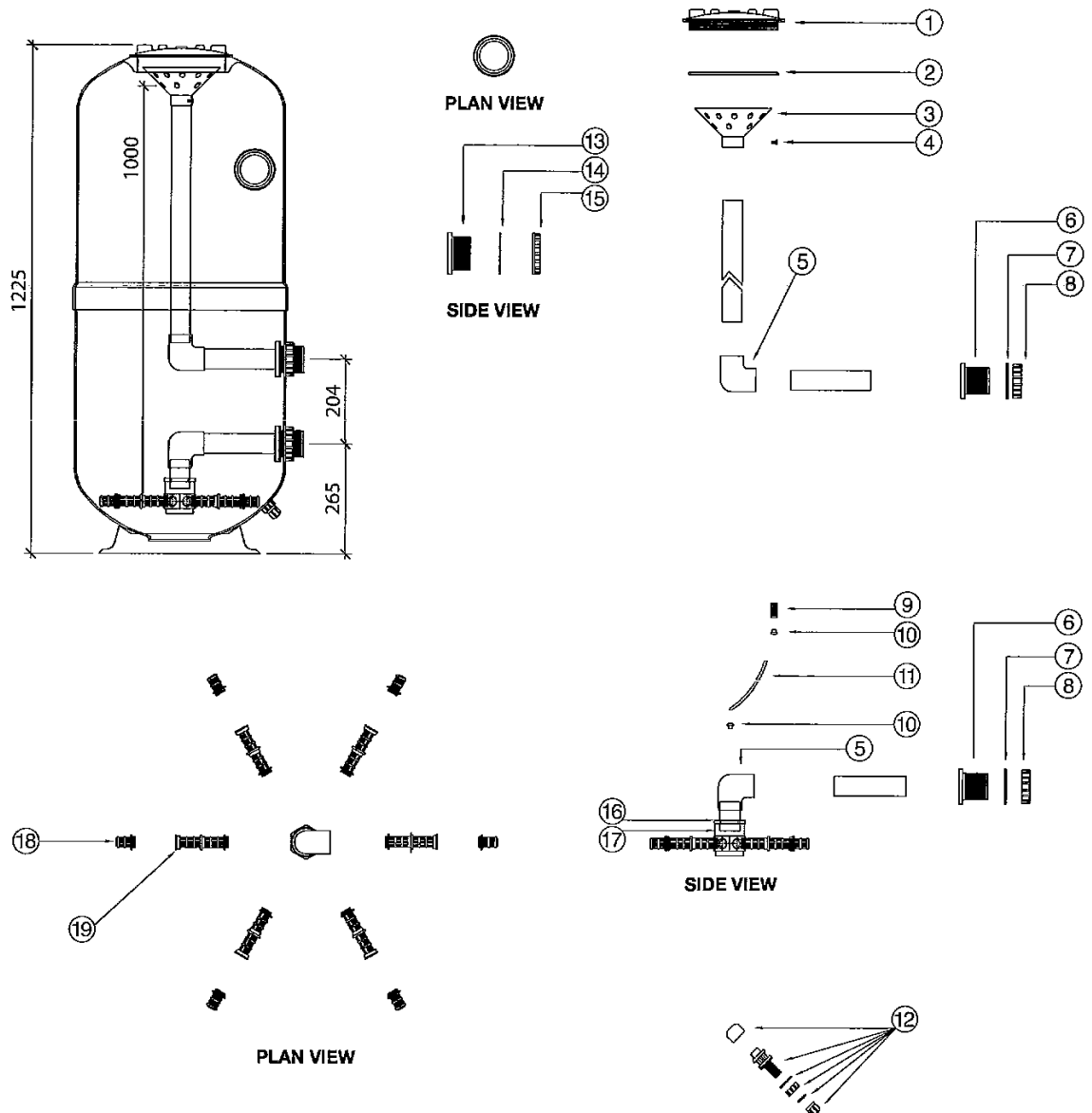
Product Code: 2220240

Part Number	Product Description	Diagram No.	LIST PRICE
W99019	Pipe 1.5"	1	1.40 €
12555BLK	REDUCING BUSH 50 X 40	2	4.77 €
W12241	Hexagonal Manifold	3	13.13 €
116512	Pipe 65mm CL 12	4	3.27 €
620960015HBG	Drain Plug Complete 15mm	5	16.59 €
W22314	Sight glass 2" moulded	6	22.44 €
W02080	Gasket sight glass 2"	7	18.17 €
W02567	B/H lock Nut 2"	8	16.79 €
W02984	Candle 40mm capped (6 required per filter)	9	13.89 €
W02991	Candle 120mm open (6 required per filter)	10	4.49 €



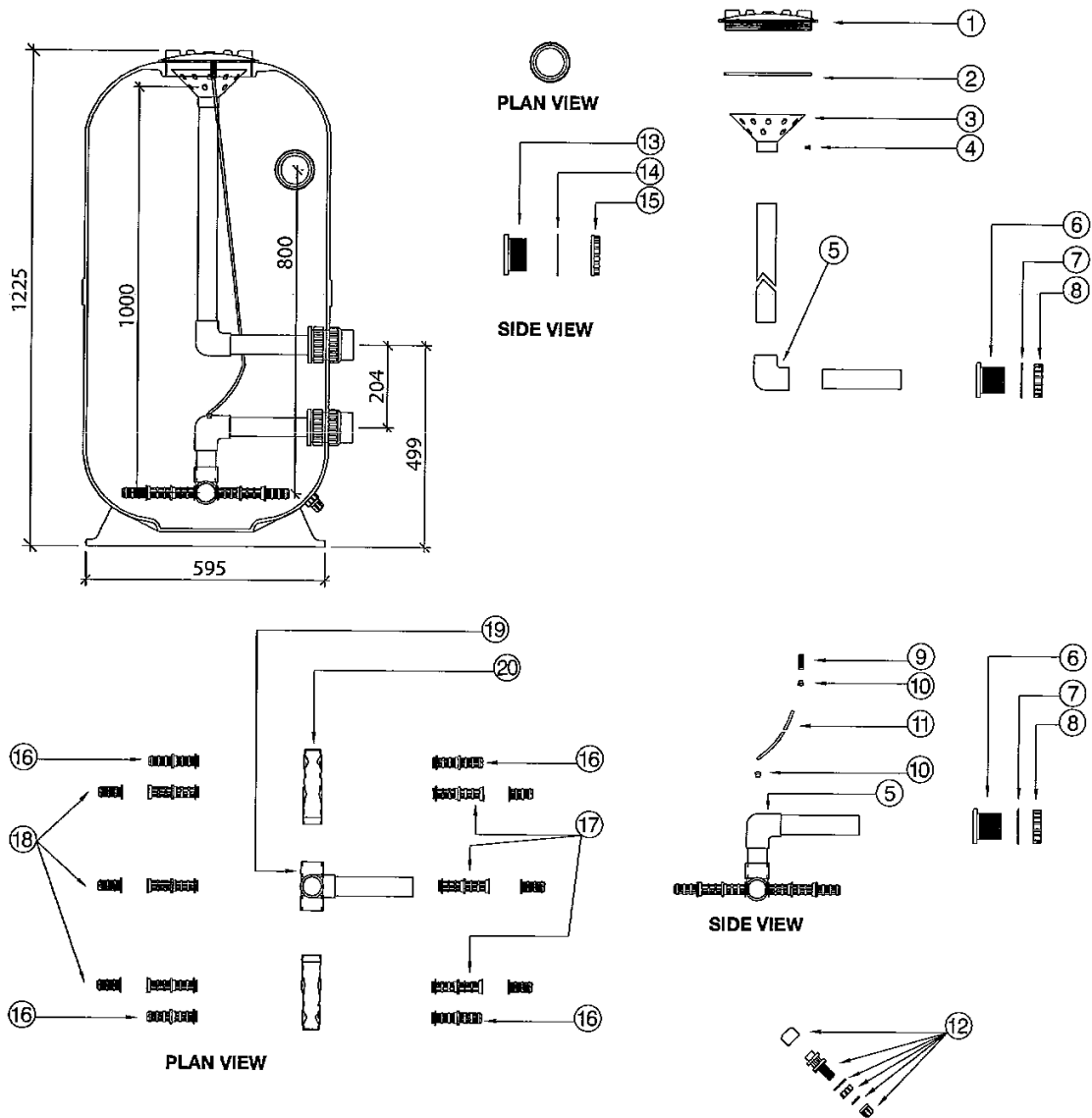
Lacron Plus Side Mount-20"

Part Number	Product Description	Diagram No.	LIST PRICE
6012 (1304A)	Lid removal tool (8" new type)		68.92 €
W22235	Lacron Lid removal tool - Plastic		26.29 €
62092920HBG	Lid (New type 8") Polycarbonate	1	105.19 €
621053HBG	Lid 'O' Ring	2	17.84 €
W02066	Rose distributor	3	15.85 €
W02214	Screw 8 x 5/8"	4	1.64 €
121340	Elbow 90deg. 50mm (Qty 2 required per filter)	5	7.63 €
W02272BLK	Bulkhead threaded body 50mm Black (Qty 2 required per filter)	6	4.76 €
W02268	Gasket Bulkhead body 50mm (Qty 2 required per filter)	7	11.48 €
W02271BLK	Bulkhead lock nut (Qty 2 required per filter)	8	6.11 €
W02289	Air Relief Tube Screen	9	6.94 €
85251	Gulfstream Plug (Qty 2 required per filter)	10	1.23 €
W02558	Airbleed Tube (1 m)	11	18.28 €
620960015HBG	Drain Plug complete 15mm	12	16.59 €
W22314	Sight glass 2" Moulded	13	22.44 €
W02080	Gasket Sight glass 2"	14	18.17 €
W02567	B/Head Lock Nut 2"	15	16.79 €
W1255BLK	Reducing Bush	16	3.69 €
W12087	Hexagonal manifold	17	10.05 €
W02986	Candle 40mm capped (Qty 6 required per filter)	18	3.75 €
W02991	Candle 120mm open (Qty 6 required per filter)	19	4.49 €



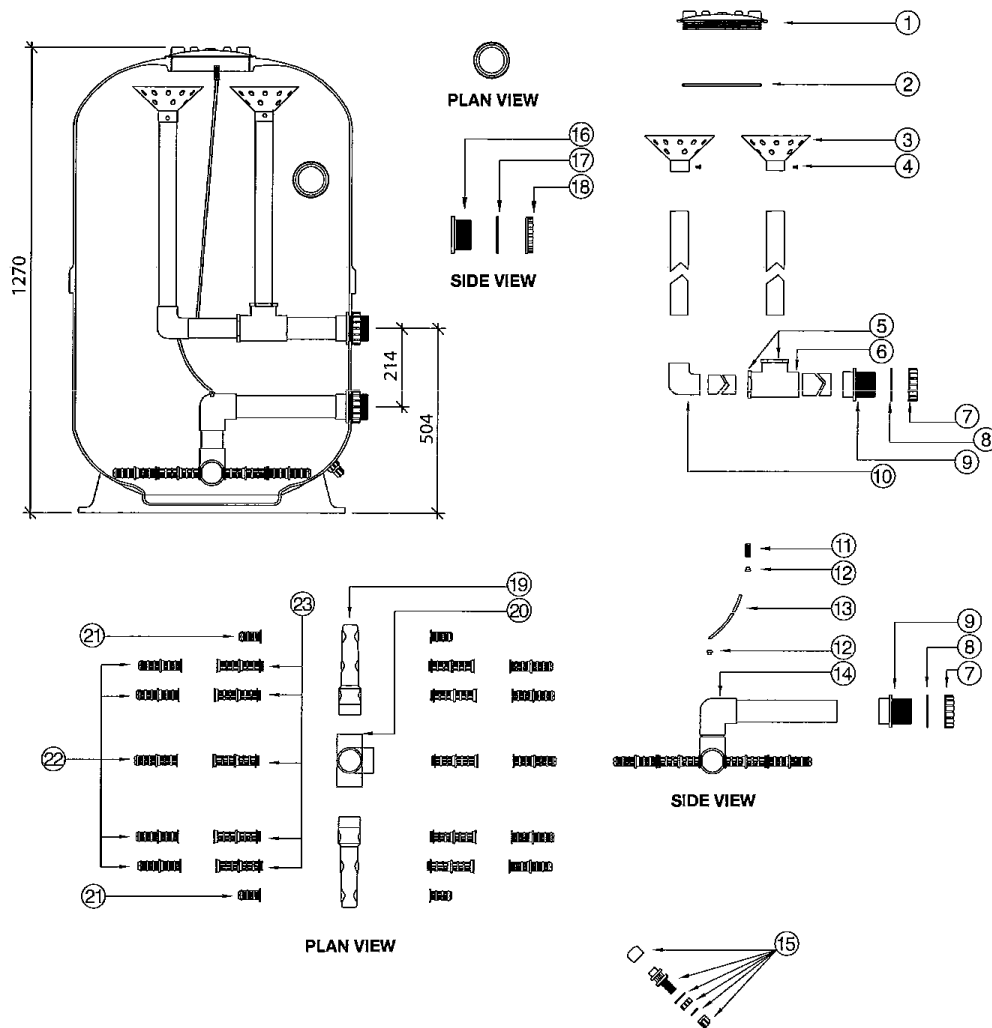
Lacron Plus Side Mount-24"

Part Number	Product Description	Diagram No.	LIST PRICE
6012 (1304A)	Lid removal tool (8" new type)	n/s	68.92 €
W22235	Lacron Lid removal tool - Plastic	n/s	26.29 €
62092920HBG	Lid (New type 8") Polycarbonate	1	105.19 €
621053HBG	Lid 'O' Ring	2	17.84 €
W02066	Rose distributor	3	15.85 €
W02214	Screw 8 x 5/8"	4	1.64 €
121340	Elbow 90deg. 50mm (Qty 2 required per filter)	5	7.63 €
W02272BLK	Bulkhead threaded body 50mm Black (Qty 2 required per filter)	6	4.76 €
W02268	Gasket Bulkhead body 50mm (Qty 2 required per filter)	7	11.48 €
W02271BLK	Bulkhead lock nut (Qty 2 required per filter)	8	6.11 €
W02289	Air Relief Tube Screen	9	6.94 €
85251	Gulfstream Plug (Qty 2 required per filter)	10	1.23 €
W02558	Airbleed Tube (1 M)	11	18.28 €
W02026BLK	Drain Plug complete 15mm	12	115.58 €
W22314	Sight glass 2" Moulded	13	22.44 €
W02080	Gasket Sight glass 2"	14	18.17 €
W02567	B/Head Lock Nut 2"	15	16.79 €
W02985	Candle 120mm capped (Qty 4 required per filter)	16	14.98 €
W02991	Candle 120mm open (Qty 6 required per filter)	17	4.49 €
W02984	Candle 60mm capped (Qty 6 required per filter)	18	13.89 €
W12086	Tapped Tee	19	9.72 €
W12088	Tapped 2 Hole collector	20	9.83 €



Lacron Plus Side Mount-30"

Part Number	Product Description	Diagram No.	LIST PRICE
6012 (1304A)	Lid removal tool (8" new type)	n/s	68.92 €
W22235	Lacron Lid removal tool - Plastic	n/s	26.29 €
62092920HGB	Lid (New type 8") Polycarbonate	1	105.19 €
621053HGB	Lid 'O' Ring	2	17.84 €
W02066	Rose distributor (Qty 2 required per filter)	3	15.85 €
W02214	Screw 8 x 5/8"	4	1.64 €
12555BLK	Reducing Bush	5	4.77 €
121950	2" Tee	6	6.22 €
W12066	B/head lock nut 2" (Qty 2 required per filter)	7	12.41 €
W12252	Gasket B/head (Qty 2 required per filter)	8	8.44 €
W12067	B/head body 2" (Qty 2 required per filter)	9	12.41 €
121340	Elbow 90deg. 50mm (Qty 2 required per filter)	10	8.44 €
W02289	Air Relief Tube Screen	11	12.41 €
85251	Gulfstream Plug (Qty 2 required per filter)	12	7.63 €
W02558	Airbleed Tube (1 M)	13	6.94 €
121350	Elbow 2"	14	7.15 €
W02026BLK	Drain Plug complete 15mm	15	115.58 €
W22314	Sight glass 2" Moulded	16	22.44 €
W02080	Gasket Sight glass 2"	17	18.17 €
W02567	B/Head Lock Nut 2"	18	16.79 €
W12089	Tapped 3-Hole Collector	19	17.96 €
W12119	Tapped Tee 2"	20	11.50 €
W02984	Candle 60mm capped (Qty 4 required per filter)	21	13.89 €
W02985	Candle 120mm capped (Qty 4 required per filter)	22	14.98 €
W02991	Candle 120mm open (Qty 6 required per filter)	23	4.49 €

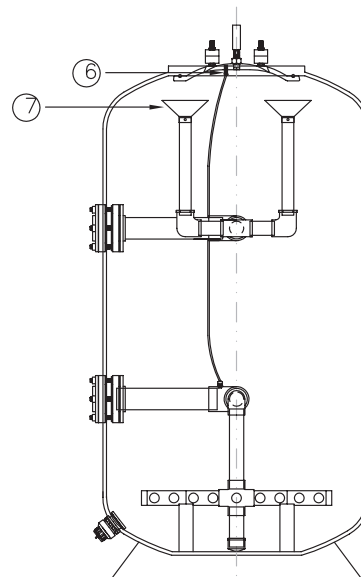
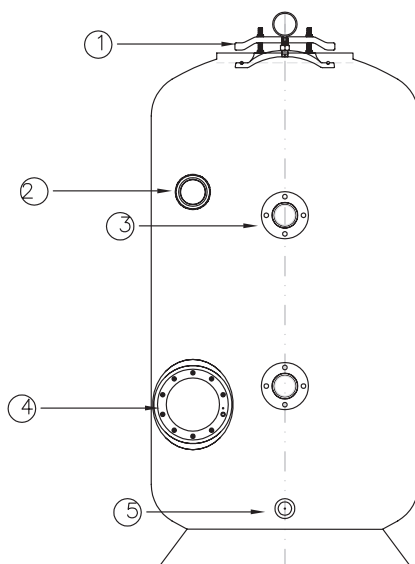
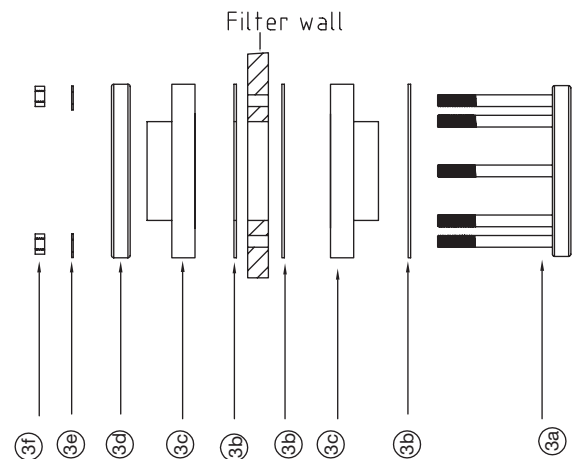


SMD / SMDD Side Mount Deep Bed Filters

Part Number	Product Description	Nos.	Diagram No.	LIST PRICE
W12720	Man Hole Cover 4 Stud Complete		1	2,114.98 €
6209430	Lid Yoke Lacron (2 required)			155.56 €
620266 (W02536)	O Ring Manhole Cover Oval 4 Stud - Waterco			POA
634080BLK	Barrel Union Lock Nut 80mm Black (2 required -SMD only)	3		44.32 €
6340801	Barrel Union Lock Nut 100mm Black (2 required O ring -SMD only)	3		93.52 €
W02249	O B/U 90mm O ring -SMD only	3		10.47 €
W02553	O B/U 110mm O ring - SMD only	3		27.60 €
62380	Sight Glass 3" Complete (Post 2008)	2		63.10 €
W12132	Sight Glass 3" Acrylic Cap (Pre 2008)	2		301.66 €
W12299	Side Manhole Cover 18 Hole Oval	4		845.41 €
W12050FG	Side Hatch Round 200mm	4		337.91 €
W12300	Gasket for Side Manhole Oval 18 Hole	4		53.23 €
W12216	O Ring G210 for Side Hatch Round 200mm	4		14.29 €
W02026BLK	Drain Plug complete 15mm	5		115.58 €
W04058BLK	Drain Plug complete 40mm	5		115.58 €
6209305	Drain Plug complete 50mm	5		64.60 €
620936	Drain Plug Assembly Connector 1" BSPT			56.71 €
W02066	Funnel For Port Size 3" & 4" (90mm & 110mm) (4 required) & 50mm	7		15.85 €
621013	Funnel for Port Size 6" (150mm) (4 required)	7		91.31 €
W02289	Air Relief Tube Screen	6		6.94 €
85251	Gulfstream Plug (2 required)	6		1.23 €
W02539	Bulkhead gasket 4"/110mm			6.01 €
12221006	Bulkhead locknut 4"/110mm			17.81 €
12221007	Bulkhead threaded body 4"/110mm			59.42 €
62096017HBG	3" bulk head (1per bag)			67.77 €
1560	3" gasket			24.13 €

For pressure gauges - see page 16 of main price list

Part Number	Product Description	Nos.	Diagram No.	Port Size
W22634	Flange Stud Ring	2	3a	3"
W22139		2		4"
W22140		2		6"
1216801	Gasket Flange	6	3b	3"
63453063		6		4"
W02251		6		6"
1216803	PVC Flange	4	3c	3"
12161004		4		4"
W12540		4		6"
W22633	Flange Clamp Ring	2	3d	3"
W22141		2		4"
W22142		2		6"
W12126	Washer SS304	8	3e	3"
W12126		16		4"
W12539		16		6"
W12912	Hex Nut SS304	8	3f	3"
W12912		16		4"
W12910		16		6"



SMD / SMDD Side Mount Deep Bed Filters

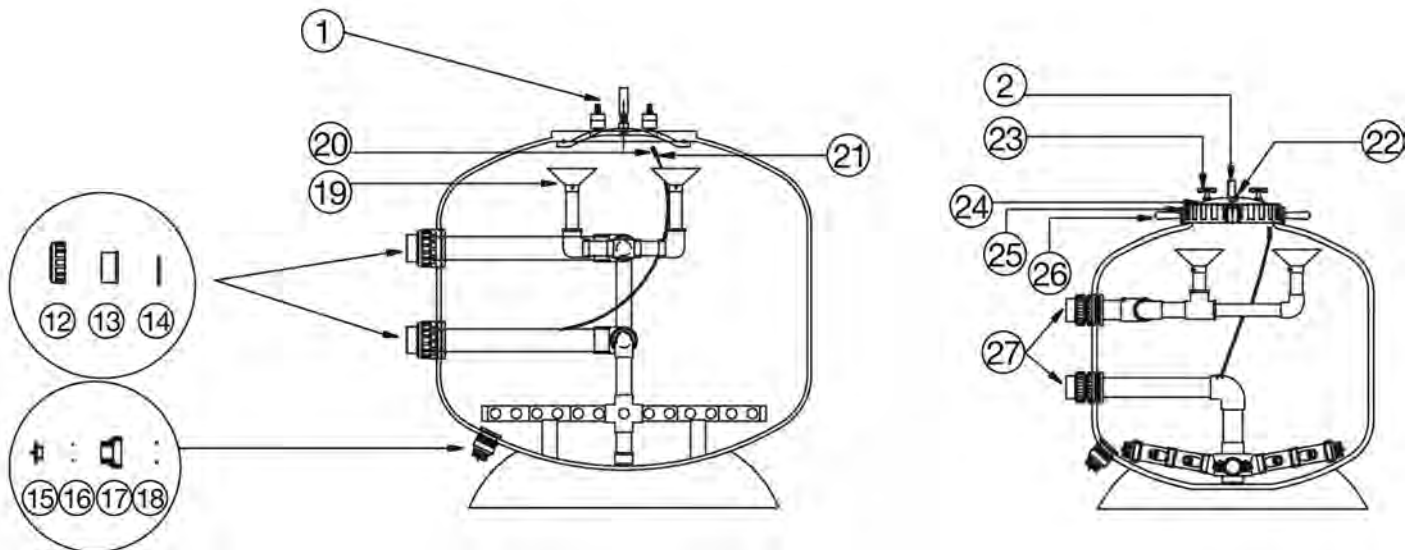
Part No:	Manifold	LATERALS				WO2117PP Lateral End Cap Nut	WO2158PP Lateral End Plug (male)	W12073 HRZ Cross Tee	WO2156 HRZ LCT Extension	WO2157 HRZ LCT End Cap	6200912 Extension Arm	WO2269BLK Cap Body	WO2270BLK Cap Nut
		WO2111PP 75mm	WO2112PP 110mm	WO2113PP 145mm	WO2114PP 200mm								
SMD/SMDD400	50mm	8	-	-	-	8	-	-	-	-			
SMD/SMDD500	50mm	-	-	8	-	8	-	-	-	-			
SMD/SMDD600	50mm	8	8	-	-	8	-	-	-	-			
SMD/SMDD750	63mm	8	-	8	-	8	-	-	-	-			
SMD/SMDD900 63mm Port	63mm	8	-	-	8	8	-	-	-	-			
SMD/SMDD900 90mm Port	-	4	22	4	2	36	4	2	8	4	-		
SMD/SMDD1050 63mm Port	63mm	-	8	8	-	8	-	-	-	-			
SMD/SMDD1050 75mm Port	75mm	8	16	-	12	20	-	-	-	8	4	4	
SMD/SMDD1050 90mm Port	-	8	20	10	4	32	4	2	8	4	-		
SMD/SMDD1200 63mm Port	63mm	8	-	-	16	8	-	-	-	-			
SMD/SMDD1200 75mm Port	75mm	16	4	20	12	28	-	-	-	12	4	4	
SMD/SMDD1200 90mm Port	-	2	26	8	6	32	4	2	8	4	-		
SMD/SMDD1200 90Port wLateral manhole#620947	-	3	6	25	6	32	4	2	8	4	-		
SMD/SMDD1200 110mm Port	-	4	4	4	36	-	48	-	-	-			
SMD/SMDD1400 90mm Port	-	8	8	36	14	48	4	2	12	4	-		
SMD/SMDD1400 110mm Port	-	10	8	12	32	-	52	-	-	-			
SMD/SMDD1600 90mm Port	-	4	16	42	18	48	4	2	12	4	-		
SMD/SMDD1600 110mm Port	-	10	22	22	38	-	60	-	-	-			
SMD/SMDD1600 160mm Port	-	18	8	80	14	-	68	-	-	-			
SMD/SMDD1800 110mm Port	-	8	42	22	68	-	76	-	-	-			
SMD/SMDD1800 150mm Port	-	46	4	22	68	-	76	-	-	-			
SMD/SMDD2000 110mm Port	-	2	52	20	74	-	80	-	-	-			
SMD/SMDD2000 160mm Port	-	22	54	30	68	-	80	-	-	-			
SMD/SMDD2000 160Port wLateral manhole #620947	-	22	53	29	68	-	80	-	-	-			
SMDD2200 160mm Port	-	64	34	30	88	-	96	-	-	-			
SMD/SMDD2350 160mm Port	-	4	62	42	122	-	104	-	-	-			
SMD/SMDD2500 160mm Port	-	54	4	20	160	-	108	-	-	-			

For prices, please see page 30

Micron Side Mount Commercial Filters

Part Number	Product Description	Diagram No.	LIST PRICE
W12720	Man Hole Cover 4 Stud Complete	1	2,114.98 €
6209430	Lid Yoke Lacron (2 required)		155.56 €
620266 (W02536)	O Ring Manhole Cover Oval 4 Stud - Waterco		18.02 €
634080BLK	3" Half Union Black (2 required)	12/13/14	44.32 €
634080EBLK	90mm half union black	12/13/14	33.84 €
6340801	110mm Half Union Black (2 required)	12/13/14	93.52 €
W02249	O Ring B/U 90mm	14	10.47 €
W02553	O Ring B/U 110mm	14	27.60 €
W04058BLK	Drain Plug complete 40mm	15/16/17/18	115.58 €
W02066	Funnel For Port Size 3" & 4" (90mm & 110mm) (4 required)	19	15.85 €
W02289	Air Relief Tube Screen	20	6.94 €
85251	Gulfstream Plug (2 required)	21	1.23 €
620221	Air Relief Valve	22	6.56 €
6202321	Handle for lid 12" (2 required)	23	52.20 €
W02630	Lid 12"	24	46.10 €
620232	Lock Ring 12"	25	231.83 €
6202321	Screwed handle for 12" lock ring (4 required)	26	52.20 €
62027	lid o ring 12"	26	33.63 €
63406565BLK	Half union 65mm c/w O ring (2 required)	27	32.64 €
W02539	Bulkhead gasket 4"/110mm		6.01 €
12221006	Bulkhead locknut 4"/110mm		17.81 €
12221007	Bulkhead threaded body 4"/110mm		59.42 €

For pressure gauges - see page 14 of main price list



Part No:	Manifold	W0211PP	W02112PP	W02113PP	W02114PP	W02117PP	W02158PP	W12073	W02156	W02157	6200912	W02269BLK	W02270BLK
		LATERALS				Lateral End Cap Nut	Lateral End Plug (male)	Hzr Cross Tee	Hzr LCT Extension	Hzr LCT End Cap	Extension Arm	Cap Body	Cap Nut
Model		75mm	110mm	145mm	200mm								
SM1050 75mm Port	65mm	8	16	-	12	20	-	-	-	-	8	4	4
SM1050	80mm	8	20	10	4	32	4	2	8	4	-		
SM1200 75mm Port	65mm	16	4	20	12	28	-	-	-	-	12	4	4
SM1200	-	2	26	8	6	32	4	2	8	4	-		
SM1400	-	8	8	36	14	48	4	2	12	4	-		
SM1600 90mm Port	-	4	16	42	18	48	4	2	12	4	-		
SM1600 110mm Port	-	10	22	22	38	-	60	-	-	-	-		
SM1800	-	8	42	22	68	-	76	-	-	-	-		
SM2000	-	2	52	20	74	-	80	-	-	-	-		
SM2200 110mm Port	-	20	34	78	88		96						
SM2200 160mm Port	-	64	34	30	88	-	96	-	-	-	-		

SPDD Side Mount Deep Bed Commercial Filters

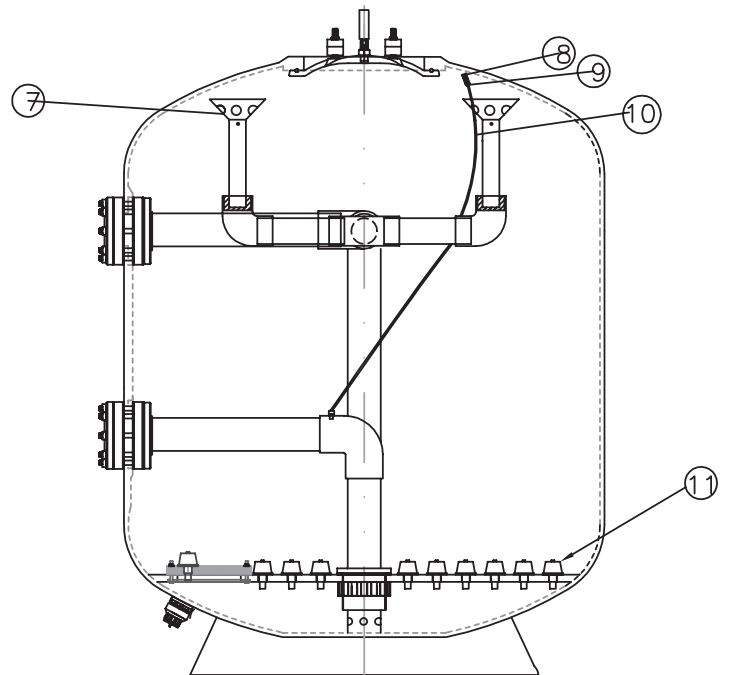
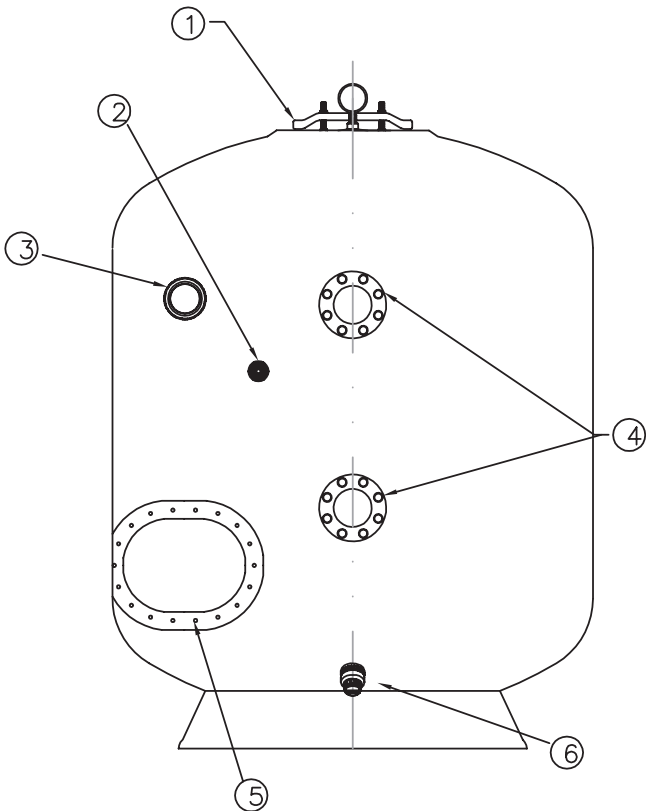
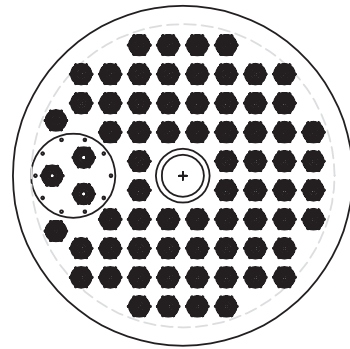
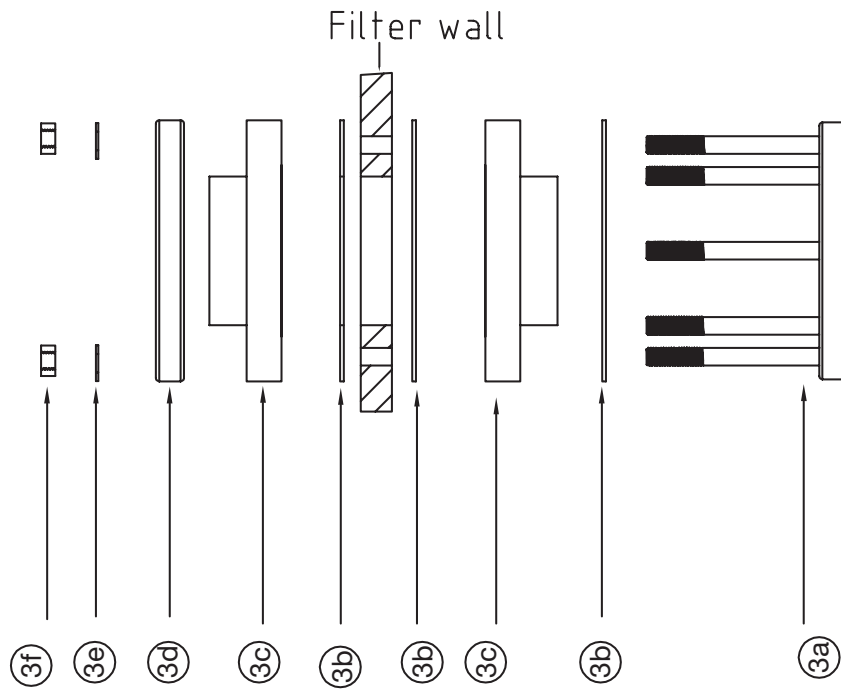
Part Number	Product Description	Nos.	Diagram No.	LIST PRICE
W12720	Man Hole Cover 4 Stud Complete		1	2,114.98 €
6209430	Lid Yoke Lacron (2 required)			155.56 €
620266 (W02536)	O Ring Manhole Cover Oval 4 Stud - Waterco			18.02 €
634080BLK	Union Black (2 required)			44.32 €
6340801	Half Union Black (2 required)			93.52 €
W02249	O B/U 90mm			10.47 €
W02553	O B/U 110mm			27.60 €
62380	Sight Glass 3" Complete (Post 2008)	3		63.10 €
W12132	Sight Glass 3" Acrylic Cap (Pre 2008)	3		301.66 €
W12299	Side Manhole Cover 18 Hole Oval	5		845.41 €
W12050FG	Side Hatch Round 200mm	5		337.91 €
W12300	Gasket for Side Manhole Oval 18 Hole	5		53.23 €
W12216	O Ring G210 for Side Hatch Round 200mm	5		14.29 €
W02026BLK	Drain Plug complete 15mm	6		115.58 €
W04058BLK	Drain Plug complete 40mm	6		115.58 €
6209305	Drain Plug complete 50mm	6		64.60 €
620936	Drain Plug Assembly Connector 1" BSPT			56.71 €
W02066	Funnel For Port Size 3" & 4" (90mm & 110mm) (4 required) & 50mm	7		15.85 €
621013	Funnel for Port Size 6" (160mm) (4 required)	7		91.31 €
W02289	Air Relief Tube Screen	8		6.94 €
85251	Gulfstream Plug (2 required)			1.23 €
1547	Filter Nozzle			22.45 €
	Numbers of nozzles required for model:-			
	SPDD1050 (80mm port) - 59 required			
	SPDD1200 (80mm port) - 71 required			
	SPDD1400 (100mm port) - 101 required			
	SPDD1600 (100mm port) - 139 required			
	SPDD1800 (150mm port) - 187 required			
	SPDD2000 (150mm port) - 207 required			
	SPDD2200 (150mm port) - 263 required			
	SPDD2350 (150mm port) - 317 required			

For pressure gauges - see page 14 of main price list

* For diagram and flange fittings please see next page

Part Number	Product Description	Nos.	Diagram No.	Port Size
W22634	Flange Stud Ring	2	3a	3"
W22139		2		4"
W22140		2		6"
1216801	Gasket Flange	6	3b	3"
63453063		6		4"
W02251		6		6"
1216803	PVC Flange	4	3c	3"
12161004		4		4"
W12540		4		6"
W22633	Flange Clamp Ring	2	3d	3"
W22141		2		4"
W22142		2		6"
W12126	Washer SS304	8	3e	3"
W12126		16		4"
W12539		16		6"
W12912	Hex Nut SS304	8	3f	3"
W12912		16		4"
W12910		16		6"

SPDD Side Mount Deep Bed Commercial Filters



Micron Horizontal Commercial Sand Filters

Part Number	Product Description	M Series	MD Series	Diagram No.	LIST PRICE
W24319	Manhole Cover 600 Oval MK2 Complete			1	2 1,675.31 €
W12557	Manhole Cover 4-Stud Oval Pewter Complete	1		2	1,005.86 €
W22110	Nut Hex M22 S/S304		8	3	4.51 €
W12127	Nut Hex M16 S/S304	4		3	11.26 €
W22109	Washer M22 Full Face SS304		8	4	1.19 €
W12126	Washer M16 Full S/304	8		4	1.67 €
W24321	Manhole Cover Clamp 600mm Hole 24mm		2	5	204.61 €
6209430	Lid Yoke Lacron	2		5	155.56 €
W12324	Hex Thin Nut S/S M16	4		6	17.68 €
W12114	Manhole Cover 600mm O-Ring 674 x 534 x 12		1	7	39.83 €
W12304	O-Ring M/H Cover 4-Stud Lacaron L2611	1		7	75.67 €
W24320	Manhole Cover 600mm Oval 24mm Hole		1	8	679.45 €
W12558	Manhole Cover 4-Stud Oval Pewter	1		8	425.64 €
W22118L	Sand Drain 90mm Long Complete		1	9	122.63 €
W02253BLK	B/U Locking Nut 90mm Black		1	10	10.00 €
W22117	Sand Drain Cap 90mm		1	11	71.49 €
W02249	O-Ring 90mm BU EDPM		1	12	10.47 €
W02254B	Bulkhead Lock Nut 90mm Black		1	13	5.85 €
W02250	Gasket 90mm Bulkhead Rubber		1	14	12.06 €
W02252BL	Bulkhead Threaded Body 90mm Black Long		1	15	22.63 €
6209305	Drain Plug 50mm Complete Black		1	16	64.60 €
W04058BLK	Drain Plug Complete 50mm Black	1		16	115.58 €
W02270BLK	Drain Plug End Cap 50mm Black	1	1	17	6.60 €
W02267	Drain Plug 50mm "O" Ring	1	1	18	4.77 €
W02971	Drain Plug Body 63mm Black		1	19	5.95 €
W02269BLK	Drain Plug Body 50mm Black	1		19	5.24 €
W02280	O Ring 63mm B/U Nitrile		1	20	3.87 €
W02213	O Ring 50mm B/U EPDM	1		20	5.03 €
620921	Lateral Waterco 75mm	1	1	21	4.53 €
6209251	Lateral End Cap Screw	1	1	22	0.40 €
W02567	Bulkhead Locking Ring 63mm BLK		1	23	16.79 €
W02271BLK	Bulkhead Locknut 50mm Black	1		23	6.11 €
W02080	Gasket 100 x 81 x 3mm Rubber		1	24	18.17 €
W02268	Gasket 50mm Bulkhead	1		24	11.48 €
W02970	Bulkhead Threaded Body 63mm Long Black		1	25	9.02 €
W02272BLK	Bulkhead Threaded Body 50mm Black	1		25	4.76 €
W32284	Gland Nut Screw PG7	1	1	26	22.57 €
W32283	Gland Nut Stud	1	1	27	18.47 €
W32286	Air Bleed Rigid PVC Black	2.5	2.5	28	2.93 €
85251	Gulfstream Plug	1	1	29	1.23 €
W02289	Air Relief Tube Screen	1	1	30	6.94 €

For pressure gauges - see page 14 of main price list

	Funnel				Lateral Under Drain				
Part No:	W22224	W02214	620921	620922	620923	620924	6209251	W22540	W22539
Description	Funnel Plastic 3" Hydrodome	UWL Screw #8 x 5/8 S/S	75mm	110mm	145mm	200mm	End Cap Screw	Lateral Socket 11/2 BSP x 25mm PVC	TEE Lateral Thread x 25mm PVC
M2500 (T-Style, Post 2011)	3	9	-	4	-	64	34	16	16
M3750 150mm (T-Style, Post 2011)	6	18	-	-	6	134	70	34	34
M5000 (T-Style, Post 2011)	10	30	-	-	6	134	70	34	34
MD5000 (T-Style, Post 2011)	5	15	28	12	26	72	38	18	18
MD5500 6" (T-Style, Post 2011)	6	18	36	-	38	76	38	18	18
MD5500 8" (T-Style, Post 2011)	6	18	28	-	30	60	30	14	14
MD6500 8" (T-Style, Post 2011)	6	18	36	-	38	76	38	18	18
MD8000 (T-Style, Post 2011)	8	24	52	-	58	116	58	28	28
MD10000 (T-Style, Post 2011)	10	30	-	68	70	140	70	34	34
Flange Inner Stud Ring 10" ANSI SS316									2

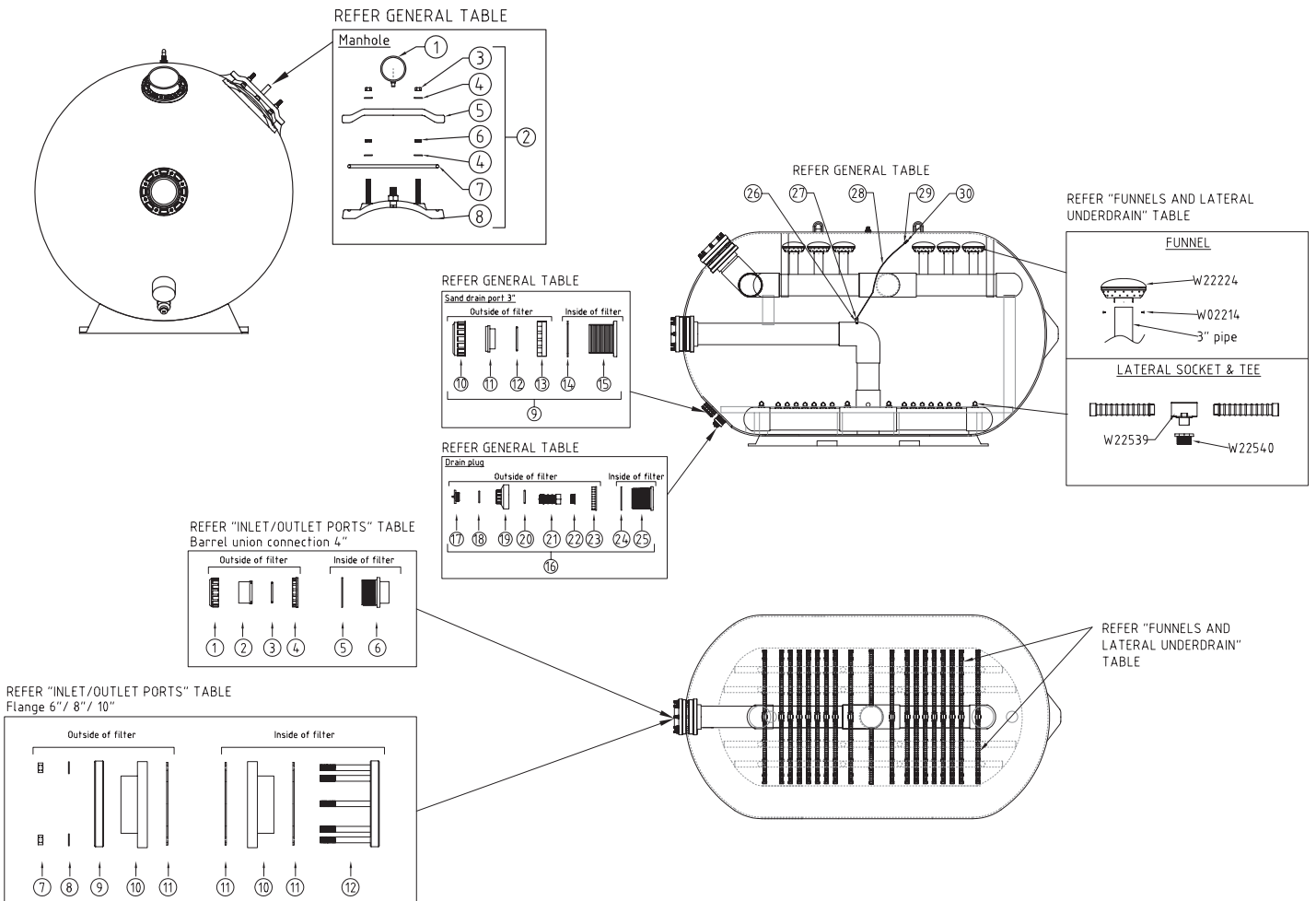
Micron Horizontal Commercial Sand Filters

Inlet / Outlet	Part No:	Description	M2500 (T-Style, Post 2011)
Barrel Union Connection 4"	12221009	Barrel Union Lock Nut 100mm Black	2
	12221011	Barrel Union Plain End 100mm Black	2
	W02553	O Ring 100mm B/U Nitrile	2
	12221006	Bulkhead Lock Nut 100mm Black	2
	W02539	Gasket 100mm Bulkhead	2
	12221007	Bulkhead Body 100mm Black	2

Inlet / Outlet	Part No:	Description	M3750 150mm (T-Style, Post 2011)	M5000 (T-Style, Post 2011)	MD5000 (T-Style, Post 2011)	MD5500 6" (T-Style, Post 2011)
Flange 6"	W12910	Nut Hex 3/4" BSW SS304	16	16	16	16
	W12539	Washer M20 x 50mm x 3mm Flat S/S304	16	16	16	16
	W22142	Flange Clamp Ring 6"	2	2	2	2
	W22545	PVC Flange 6" ANSI SCH80 Vanstone NSF	6	4	4	4
	W02251	Gasket HRZ Filter 280 x 4.5mm	6	6	6	6
	W22140	Flange Inner Stud Ring 6" ANSI	2	2	2	2

Inlet / Outlet	Part No:	Description	MD5500 8" (T-Style, Post 2011)	MD6500 8" (T-Style, Post 2011)	MD8000 (T-Style, Post 2011)
Flange 8"	W12910	Nut Hex 3/4" BSW SS304	16	16	16
	W12539	Washer M20 x 50mm x 3mm Flat S/S304	16	16	16
	W22343	Flange Clamp Ring 8"	2	2	2
	W22936	PVC Flange 8" SCH80 Vanstone NSF	4	4	4
	W12147	Gasket Flange PVC 343 x 5mm	6	6	6
	W22342	Flange Inner Stud Ring 8" ANSI	2	2	2

Inlet / Outlet	Part No:	Description	MD10000 (T-Style, Post 2011)
Flange 10"	W22959	Hex Nut 7/8" UNC SS316	24
	W22960	Washer 7/8" UNC SS316	24
	W22963	Flange Clamp Ring 10"	2
	W22877	PVC Flange 10" SCH80 Vanstone NSF	4
	W22228	Gasket Flange 10" ANSI	6
	W22962	Flange Inner Stud Ring 10" ANSI SS316	2



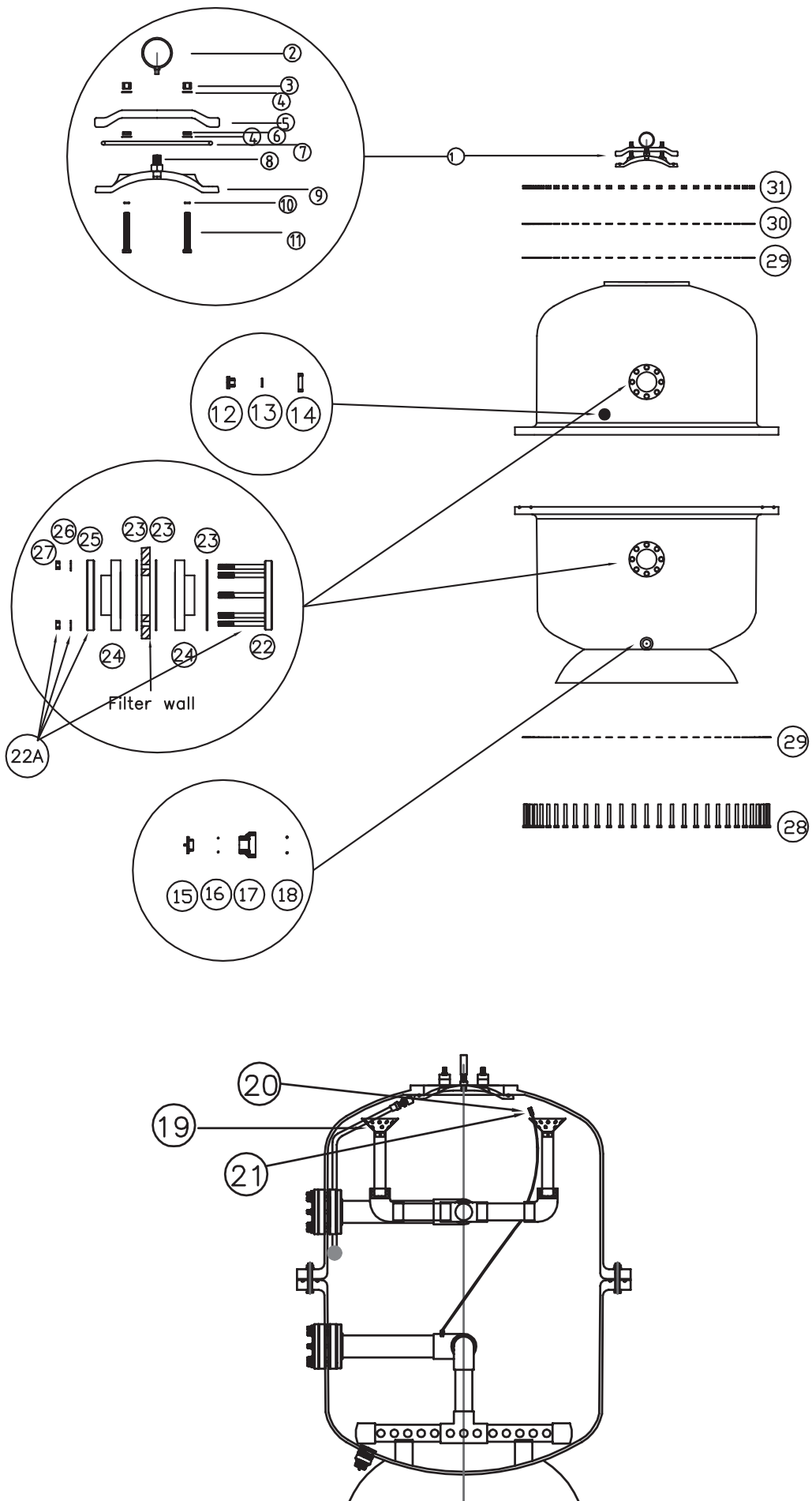
Hydron Split Tank Filter

Product Codes: 23912008014, 223914008014, 223916008014, 223918008014

Part Number	Product Description	Diagram No.	LIST PRICE
W12720	Manhole cover 4 stud complete	1	2,114.98 €
W12127	Hex nut M16 (4 Req.)	3	11.26 €
W12126	Washer M16 s/s304 (8 Req.)	4	1.67 €
6209430	Lid yoke Lacron (2 Req.)	5	155.56 €
W12324	Hex thin nut (4 Req.)	6	17.68 €
W12723	O-ring Manhole Cover Oval 4-stud	7	54.03 €
W12724	s/s screw 1" BSW male 1/4" BSP Female thread	8	198.83 €
W12722	Manhole Oval 4 stud	9	820.77 €
W12301	O-ring BS113 (4 Req.)	10	0.44 €
W12125	Hex Bolt (4 Req.)	11	29.45 €
W22348	End Plug 3/4" BSP	12	24.01 €
72591213	o-ring BS213	13	1.34 €
W22349	Lock nut 1 1/2" BSP	14	22.44 €
W02270BLK	Drain Plug 40mm Cap	15	6.60 €
W02267	Drain Plug o-ring 40mm	16	4.77 €
W02269BLK	Drain Plug Body 40mm	17	5.24 €
W02213	o-ring B/U 40mm	18	5.03 €
W02066	Funnel for side mount filters (3" & 4" / 90mm & 110mm)	19	15.85 €
621013	Funnel for side mount filters (6" / 160mm)	19	91.31 €
W02289	Air relief tube screen	20	6.94 €
85251	Gulfstream plug (2 Req.)	21	1.23 €
W22161	Steel flange 3" port	22A	389.93 €
W22139	Inner flange stud ring 4" port (2 Req.)	22	367.69 €
W22140	Inner flange stud ring 6" port (2 Req.)	22	473.15 €
1216801	Flange Gasket 3" (6 Req.)	23	9.39 €
63453063	Flange Gasket 4" (6 Req.)	23	44.74 €
W02251	Flange Gasket 6" (6 Req.)	23	43.83 €
1216803	PVC Stud flange 3" (2 Req.)	24	161.78 €
12161004	PVC Stud flange 4" (2 Req.)	24	168.30 €
W12540	PVC Stud flange 6" (2 Req.)	24	223.02 €
W22141	Flange clamp ring 4"	25	59.16 €
W22142	Flange clamp ring 6"	25	63.70 €
W12126	Washer M16 Full face (3" & 4") (16 Req.)	26	1.67 €
W12539	Washer M20x40x3 (6") (16 Req.)	26	4.13 €
W12912	Hex nut (3" & 4") (16 Req.)	27	8.92 €
W12910	Hex nut (6") (16 Req.)	27	8.92 €
W12090	Bolt 3/4" BSW x 5.5" THRD 50mm	28	97.35 €
	60 Req. for 1200 & 1400 72 Req. for 1600 90 Req. for 1800		
W12539	Washer -flat	29	4.13 €
	120 Req. for 1200 & 1400 144 Req. for 1600 180 Req. for 1800		
W22422	Spring washer M20	30	1.83 €
	60 Req. for 1200 & 1400 72 Req. for 1600 90 Req. for 1800		
W12910	Hex Nut 3/4" BSW SS304	31	8.92 €
	60 Req. for 1200 & 1400 72 Req. for 1600 90 Req. for 1800		

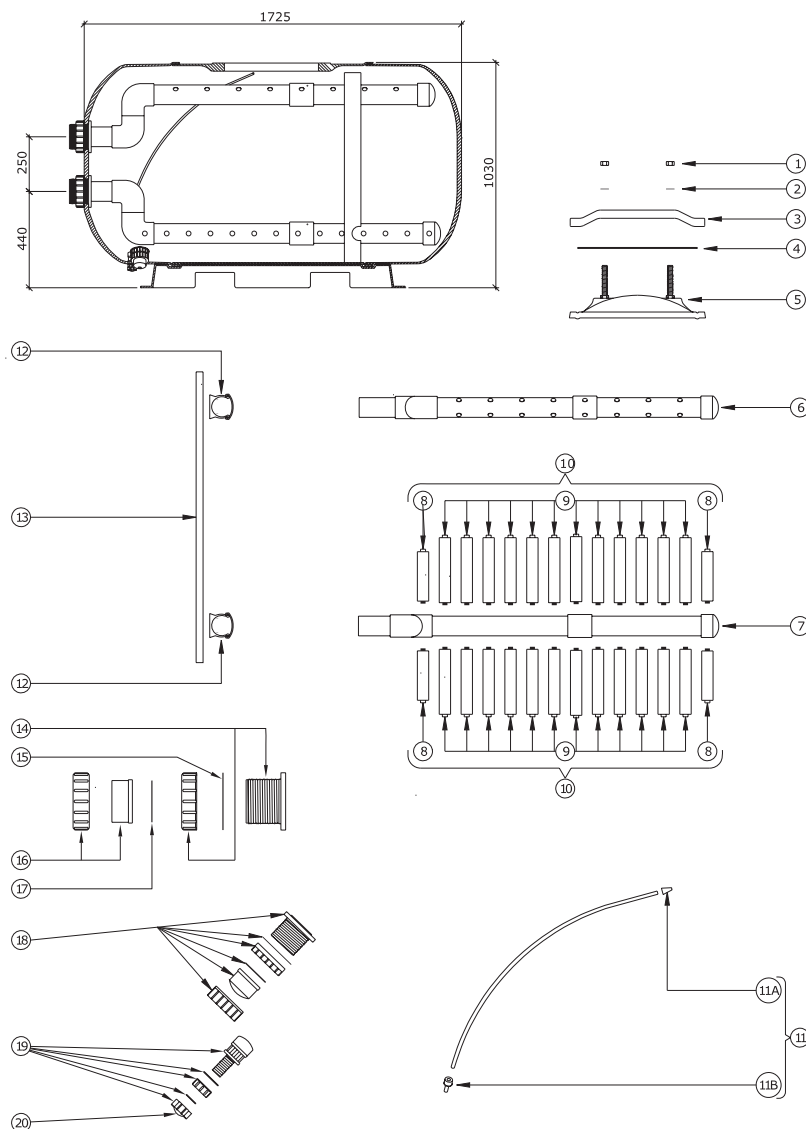
For pressure gauges - see page 14 of main price list

Hydron Split Tank



Lacron HZC-36

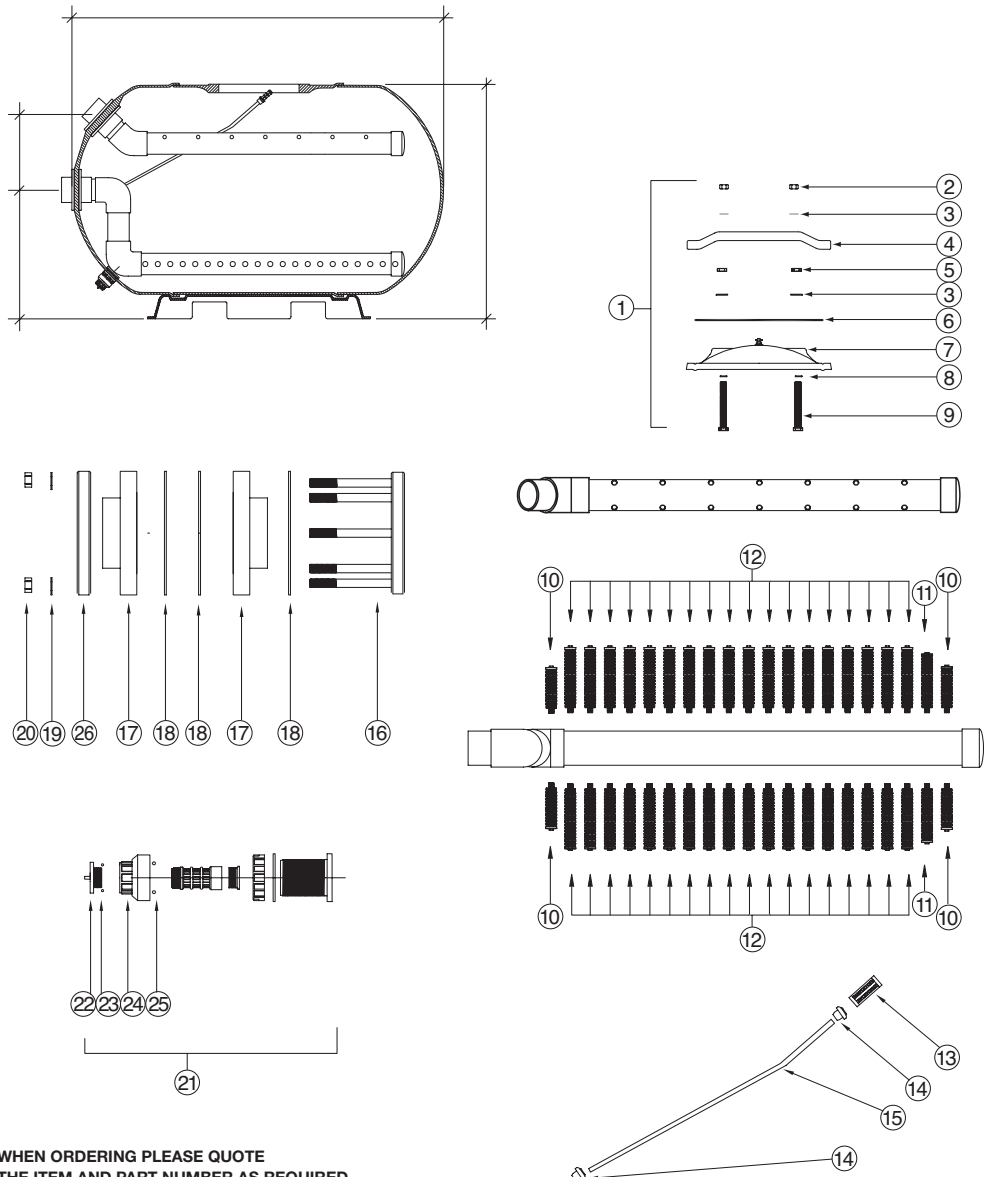
Part Number	Product Description	Diagram No.	LIST PRICE
1762	M16 S/S Hex Nut	1	4.53 €
1769	M16 S/S Washer (Pack Of 5)	2	9.14 €
6209430	Lacron Lid Yoke Each	3	155.56 €
W12304	Lacron Oval Lid 'O' Ring (Old Square)	4	75.67 €
620266 (W02536)	Lacron Oval Lid 'O' Ring (New Round)	4A	18.02 €
W12722	Lacron 4 Stud Oval Lid	5	820.77 €
W12308	Manhole Lid 4 Stud Complete With Yoke, Nuts, Bolts 'O' Ring	1 to 5	863.52 €
1387F	HZC 36 Header Assy Complete	6	680.65 €
1387E	HZC 36 Underdrain Assy Complete	7	767.68 €
1319	Heavy Duty Laterals 206mm (X 4 required per filter)	8	30.12 €
1320	Heavy Duty Laterals 238mm (X 24 required per filter)	9	33.92 €
1387J	Heavy Duty Lateral Set Complete	10	840.79 €
17104A	HZC 36 Airbleed Assy Complete	11	67.01 €
W12045	Airbleed Cap	11A	5.65 €
1474	1/4" Airbleed Adaptor Fixing	11B	29.24 €
2613	3" Pipe Clamp Set Complete (Each)	12	20.72 €
2618	1 M Variable Brace Bar	13	92.61 €
62096017HBG	3" Bulkhead & Nut	14	67.77 €
1560	3" Bulkhead Gasket (Set Of 2)	15	24.13 €
6018 (W02253BLK / W02255BLK / W02255EBLK)	3"/90mm Adaptor Union (Plus Sleeve) 'O' Ring Type	16	55.80 €
6020	3"/90mm Adaptor Gasket (Set Of 2) Pre 2007	17	20.35 €
6302550-HBG	3"/90mm Adaptor o ring (Set Of 2) Post 2007	17	20.15 €
W04058BLK	Drain plug complete 40mm black	18	115.58 €
620960015HBG	Drain Plug Complete	19	16.59 €



Lacron HZC-42

Product Code: 222942423

Part Number	Product Description	Diagram No.	LIST PRICE
W12303	Manhole Cover 4-Stub Oval Lido Blue Complete	1	863.52 €
W12127	Nut Hex M16 S/S304	2	11.26 €
W12126	Washer M16 S/S304	3	1.67 €
6209430	Lid Yoke Lacron	4	155.56 €
W12324	Hex Thin Nut S/S M16	5	17.68 €
W12304	O-Ring M/H Cover 4-Stub Lacron L2611A	6	75.67 €
W12772 (W14896)	Manhole Cover 4-Stub w Air Relief Valve	7	POA
W12301	ORing BS113	8	0.44 €
W12125	Bolt Hex Full Thread M16 x 120 S/S304	9	29.45 €
W12232	Heavy Duty Candle 206mm L1319 (4 required per filter)	10	30.12 €
W12229	Heavy Duty Candle 268mm L1275 (2 required per filter)	11	37.67 €
W12230	Heavy Duty Candle 300mm L1277 (36 required per filter)	12	38.45 €
W02289	Air Relief Tube Screen	13	6.94 €
85251	Gulfstream Plug	14	1.23 €
W02558	Air Bleed Tube (1m length)	15	18.28 €
W22139	Flange Stud Ring 4" ANSI	16	367.69 €
12161004	PVC Stud Flange 4" ANSI (gf-PP Ring)	17	168.30 €
63453063	Flange Gasket 4" ANSI	18	44.74 €
W12126	Washer M16 Full S/S304	19	1.67 €
W12912	Nut Hex 5/8" BSW SS304	20	8.92 €
W04058BLK	Drain Plug Complete 40mm Black	21	115.58 €
W02270BLK	Drain Plug End Cap 40mm Black	22	6.60 €
W02267	Drain Plug 40mm O-Ring	23	4.77 €
W02269BLK	Drain Plug Body 40mm Black	24	5.24 €
W02213	O-Ring 40mm B/U EPDM	25	5.03 €
W22141	Flange Clamp Ring 4" ANSI	26	59.16 €

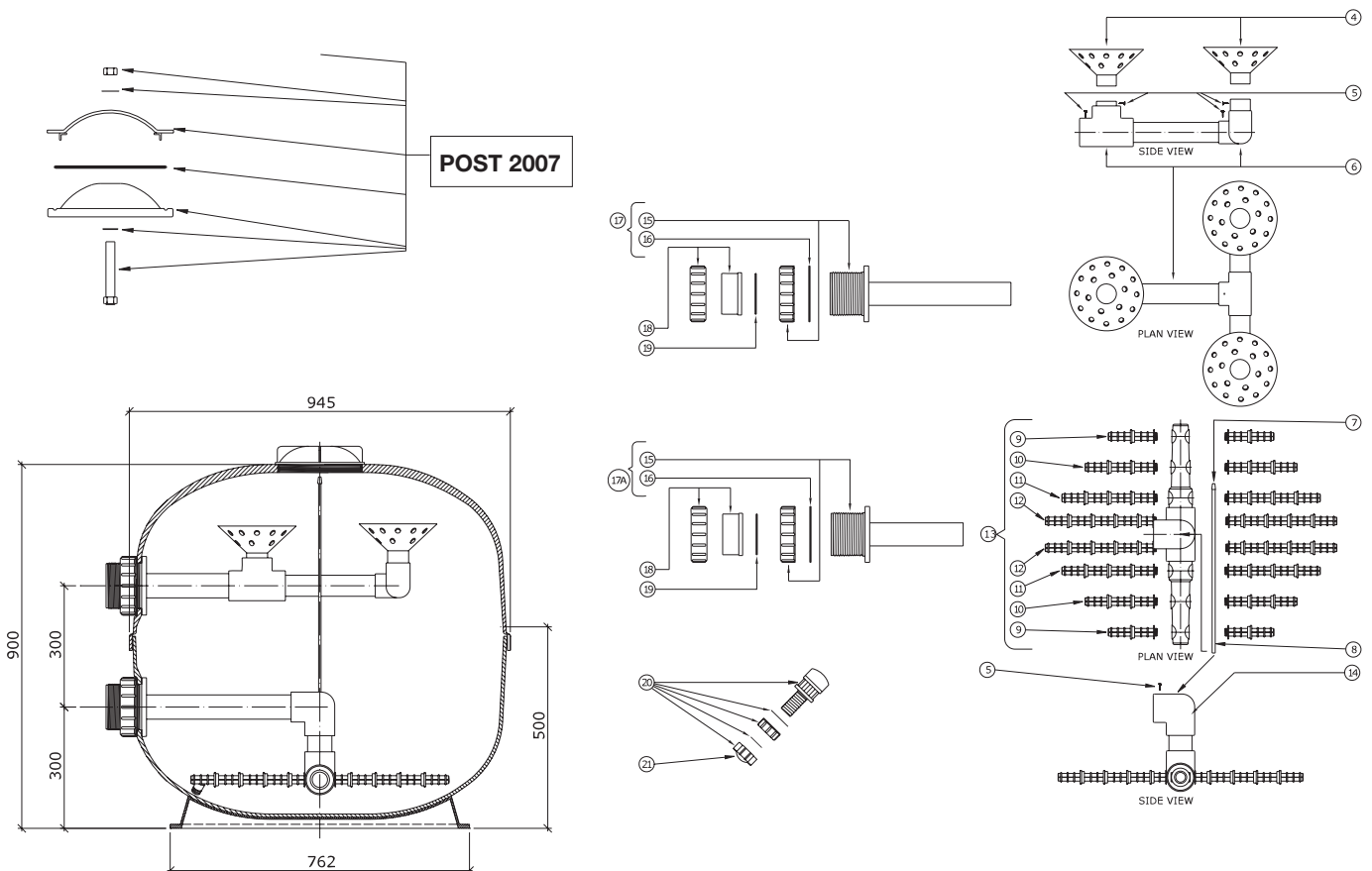


WHEN ORDERING PLEASE QUOTE
THE ITEM AND PART NUMBER AS REQUIRED

Lacron LSC-36"- 3" Ports

Product Code: 22037

Part Number	Product Description	Diagram No.	LIST PRICE
1671	3/4" Self Tap Screw (Pack Of 10)	5	9.50 €
W02289	Air Relief Tube Screen	7	6.94 €
W04058BLK	40mm Drain Plug Complete	20	115.58 €
17104	36" Lacron Airbleed (840mm)	8	19.38 €
W12292	36" - 3" Header (Less Rose)	6	342.78 €
W02066	Rose Distributor (Funnel For SM)	4	15.85 €
W02249	O Ring For 3" / 90mm Half Union	19	10.47 €
634080EBLK	Half Union 90mm metric C/W O Ring	18+19	33.84 €
62096017HBG	Bulkhead 3" Bulkhead Fitting (Plus Nut)	15	67.77 €
W12295	Underdrain Complete Less Candles	14	357.82 €
62096007HBG	120mm Lateral (Candle) (X 4 required per filter)	9	14.98 €
62096008HBG	180mm Lateral (Candle) (X 4 required per filter)	10	14.99 €
62096009HBG	240mm Lateral (Candle) (X 4 required per filter)	11	18.07 €
62096010HBG	280mm Lateral (Candle) (X 4 required per filter)	12	20.11 €
85251	Gulf Stream Plug	n/s	1.23 €
W04854	36" Base Stand	n/s	234.01 €
6018 (W02253BLK / W02255BLK / W02255EBLK)	half union 3" imperial c/w o ring	18+19	55.80 €
6020	3"/90mm Adaptor Gasket (Set Of 2) Pre 2007	19	20.35 €
W02026BLK	Drain Plug Complete 15mm	20	23.02 €
W04058BLK	Drain plug complete 40mm	20	115.58 €
For filters supplied prior to Clamp Style Lid			
6012 (1304A)	Lacron Lid Removal Tool (8" New Type)		68.92 €
62092920HBG	Lacron Lid (Polycarbonate 8" New Type)		105.19 €
621053HBG	Lacron Lid 'O' Ring		17.84 €
Post 2007 'Clamp Lid'			
W12076	Nylon Air Relief Tap + 'O' Ring		16.69 €
W12248	Lid Retaining Clamp C/W Screw & Nut		174.44 €
W02933	Small Oval Lid O Ring		22.59 €
W12135	Small Oval Lid		182.32 €



Lacron LSC-42

Product Code: 222042

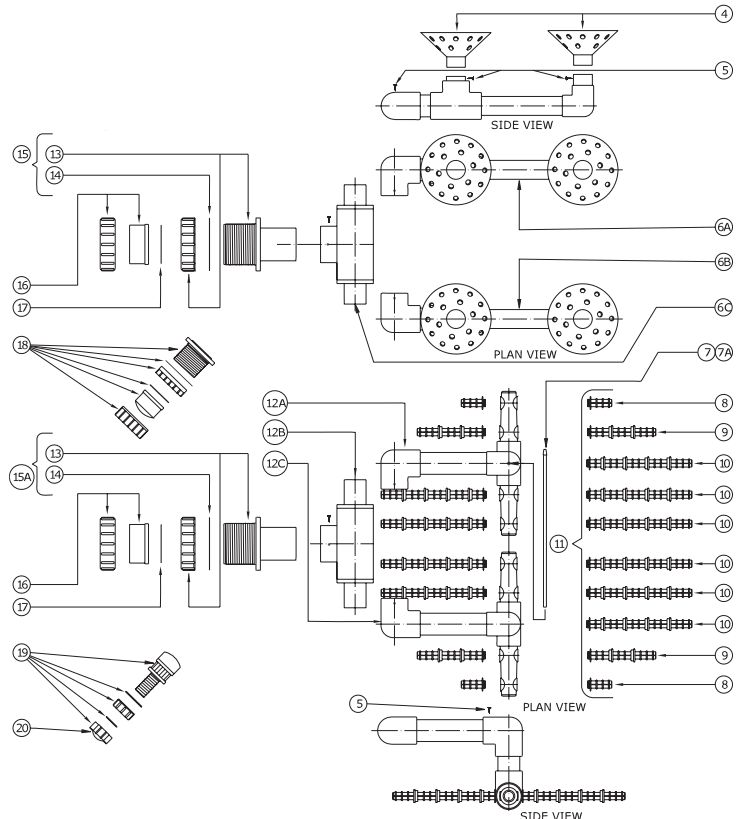
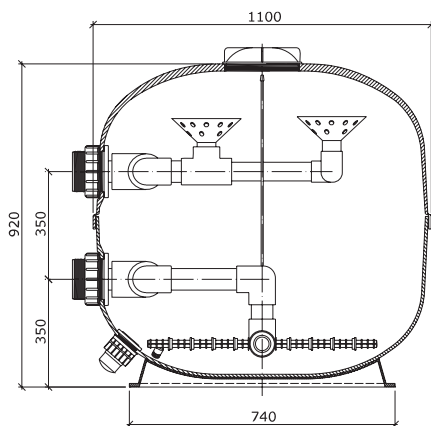
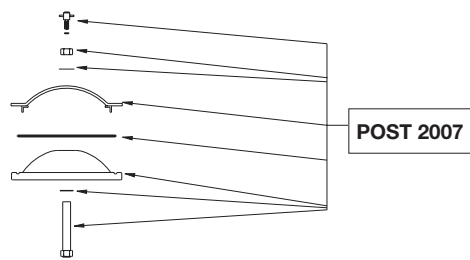
Part Number	Product Description	Diagram No.	LIST PRICE
85251	Gulf Stream Plug	n/s	1.23 €
W02066	Rose Distributor	4	15.85 €
1671	3/4" Self Tap Screw (Pack Of 10)	5	9.50 €
1372 (W22204)	42" Lhs Header (Less Rose)	6A	140.13 €
1372A (W22746)	42" Rhs Header (Less Rose)	6B	140.13 €
1372B (W12287)	42" Main Header 'T'	6C	197.40 €
W12045	Air Bleed Cap. Also order 1 x 85251 Rubber Grommit @ 0.85	7	5.65 €
17105	42" Lacron Airbleed	7A	20.63 €
W02984 (62096006HBG)	60mm Lateral (Candle) (X 4 required per filter)	8	POA
62096008HBG	180mm Lateral (Candle) (X 4 required per filter)	9	14.99 €
62096010HBG	280mm Lateral (Candle) (X 12 required per filter)	10	20.11 €
1396	Lateral (Candle) Set	11	331.06 €
1371 (W12288)	42" Lhs Underdrain (Less Candles)	12A	167.98 €
1371B (W12289)	42" Main Underdrain 'T' & Con Pipe	12B	POA
1371A (W12290)	42" Rhs Underdrain (Less Candles)	12C	167.98 €
62096017HBG	3" Bulkhead Fitting (Plus Nut)	13	67.77 €
6019 (1560)	3" Bulkhead Gasket (Set Of 2)	14	24.13 €
1525A	42" - 3" Bulkhead Fitting (Top)	15	80.42 €
1525B	42" - 3" Bulkhead Fitting (Bottom)	15A	82.86 €
6018 (W02253BLK / W02255BLK / W02255EBLK)	3"/90mm Adaptor Union (Plus Sleeve) 'O' Ring Type	16	55.80 €
6020	3"/90mm Adaptor Gasket (Set Of 2) Pre 2007	17	20.35 €
6302550-HBG	3"/90mm Adaptor 'O' Ring (Set Of 2) Post 2007	17	20.15 €
W04058BLK	Sand Drain Complete 40mm	18	115.58 €
620960015HBG	Drain Plug Complete	19	16.59 €
W02270BLK	Drain Plug Cap 40mm	20	6.60 €
W04846	42" Base Stand	n/a	249.47 €

For filters supplied prior to Clamp Style Lid

6012 (1304A)	Lacron Lid Removal Tool (8" New Type)	68.92 €
62092920HBG	Lacron Lid (Polycarbonate 8" New Type)	105.19 €
621053HBG	Lacron Lid 'O' Ring	17.84 €

Post 2007 'Clamp Lid'

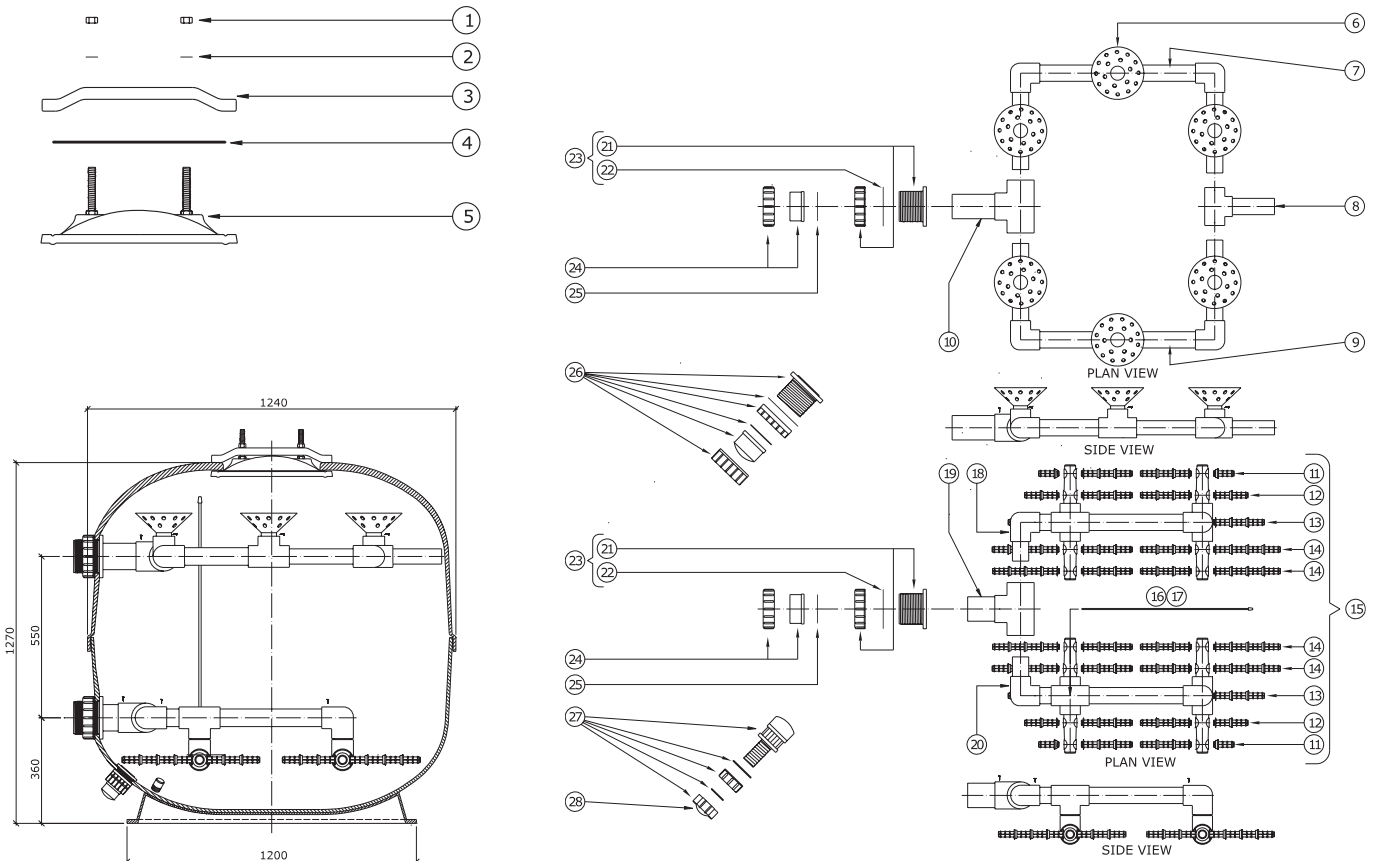
W12076	Nylon Air Relief Tap + 'O' Ring	16.69 €
W12248	Lid Retaining Clamp C/W Screw & Nut	174.44 €
W02933	Small Oval Lid O Ring	22.59 €
W12135	Small Oval Lid	182.32 €



Lacron LSC-48

Product Code: 222048

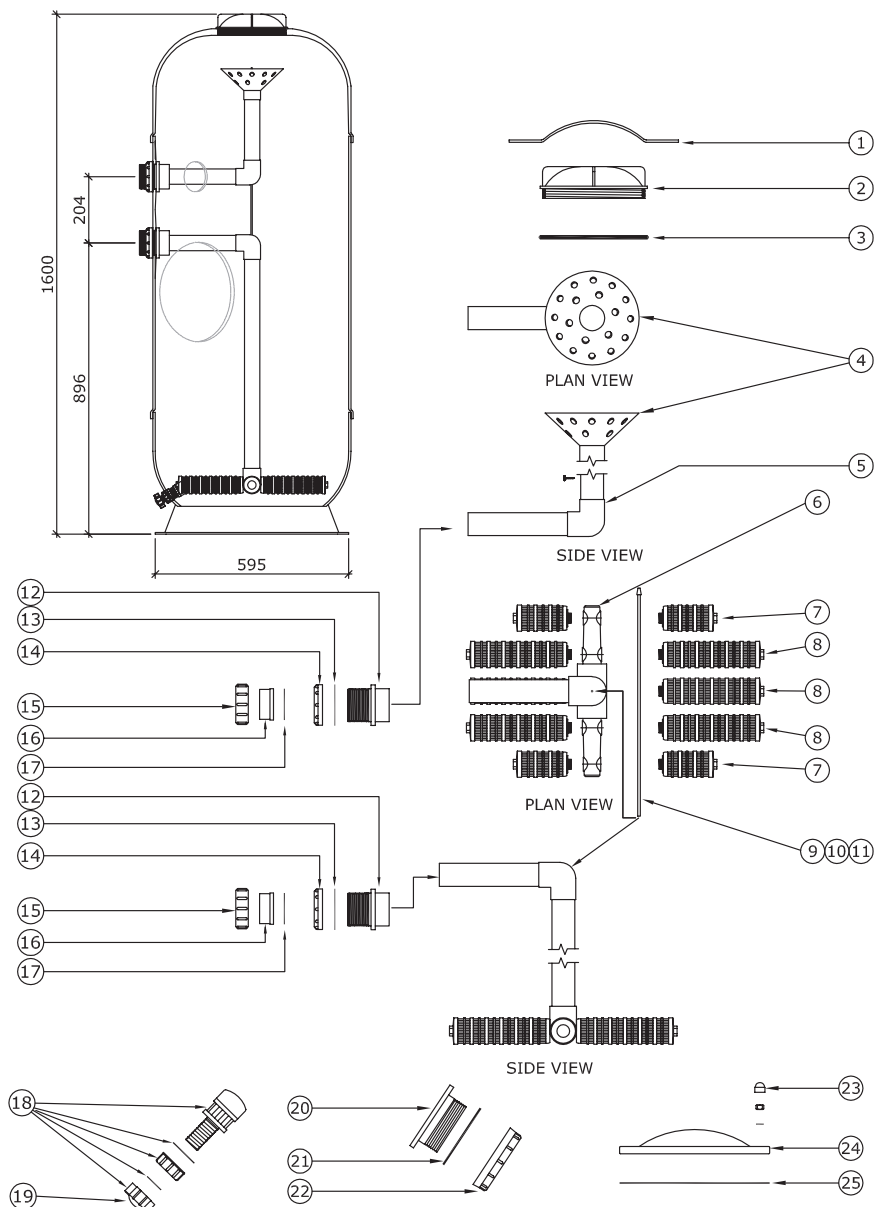
Part Number	Product Description	Diagram No.	LIST PRICE
W12076	Nylon Air Relief Tap + 'O' Ring	1	16.69 €
W12248	Small Oval Lid Retaining Clamp C/W Screw & Nut	3	174.44 €
W12284	Small Oval Lid 'O' Ring	4	22.60 €
W12135	Small Oval Lid	5	182.32 €
WO2066	Rose Distributor	6	15.85 €
W12344	48" LHS Header (Less Rose)	7	210.90 €
W12346	48" Main Header Pipe Support 'T'	8	18.29 €
W12345	48" RHS Header (Less Rose)	9	210.90 €
W12347	48" Main Header Pipe Inlet 'T'	10	222.24 €
WO2984 (62096006HBG)	60mm Lateral (Candle) (X 4 required per filter)	11	POA
62096007HBG	120mm Lateral (Candle) (X 4 required per filter)	12	14.98 €
62096008HBG	180mm Lateral (Candle) (X 24 required per filter)	13	14.99 €
62096009HBG	240mm Lateral (Candle) 9 X 8 required per filter)	14	18.07 €
1396A	48" Lacron Lateral (Candle) Set	15	331.08 €
W12045	Air Bleed Cap. Also order 1 x 85251 Rubber Grommit @ 0.85	16	5.65 €
17106	48" Lacron Airbleed (Set Of 2)	17	20.81 €
W12348	48" LHS Underdrain (Less Candles)	18	207.20 €
W12350	48" Main Underdrain 'T' & Con Pipe	19	259.91 €
W12349	48" RHS Underdrain (Less Candles)	20	207.20 €
62096017HBG	3" Bulkhead Fitting (Plus Nut)	21	67.77 €
6019	3" Bulkhead Gasket (Set Of 2)	22	24.13 €
1524C	48" - 3" Bulkhead Fitting Inc Pipe	23	92.29 €
6018 (WO2253BLK / WO2255BLK / WO2255EBLK)	3"/90mm Adaptor Union (Plus Sleeve) 'O' Ring Type	24	55.80 €
6020	3"/90mm Adaptor Gasket (Set Of 2) Pre 2007	25	20.35 €
6302550-HBG	3"/90mm Adaptor 'O' Ring (Set Of 2) Post 2007	25	20.15 €
WO4058BLK	Sand Drain Complete 40mm	26	115.58 €
620960015HBG	Drain Plug Complete 15mm	27	16.59 €
WO2270BLK	Drain Plug Cap 40mm	28	6.60 €
1671	3/4" Self Tap Screw (Pack Of 10)	29	9.50 €



Lacron MBF-24"

Product Code: 2220588

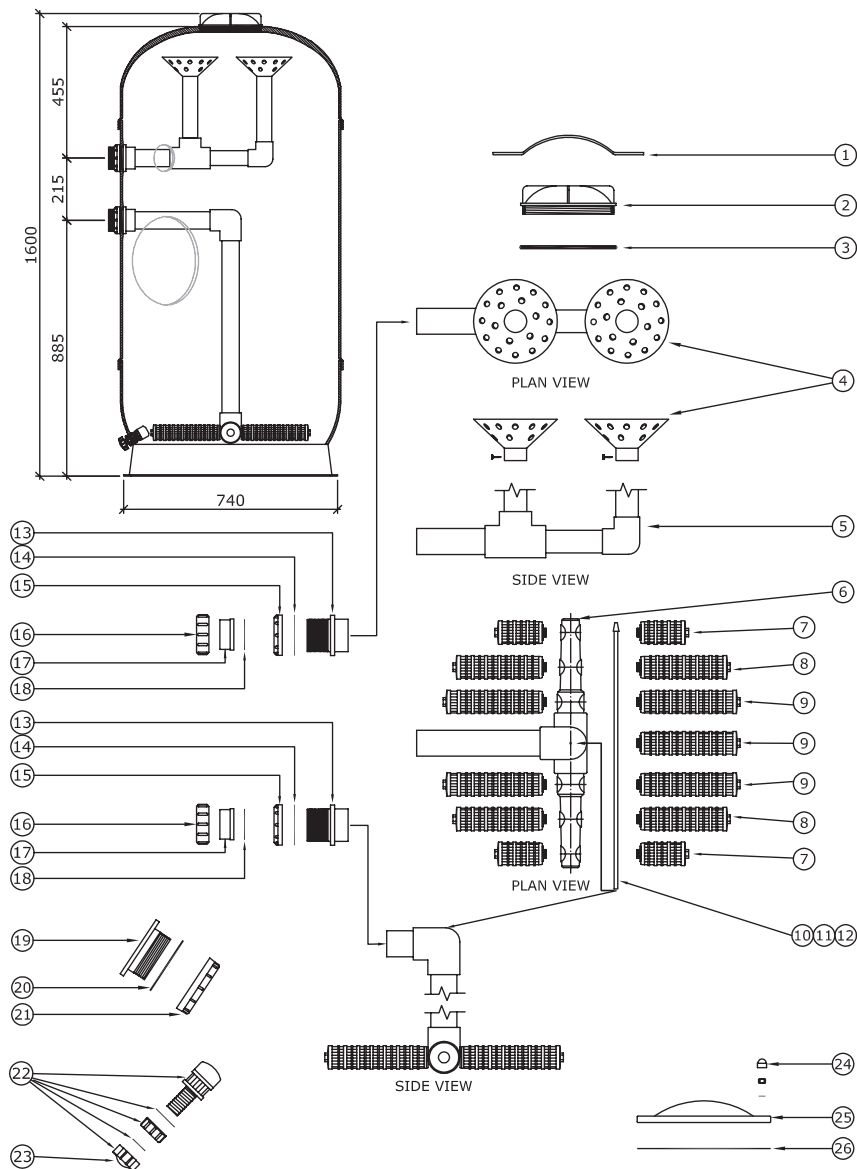
Part Number	Product Description	Diagram No.	LIST PRICE
W22235	Lid Tool	1	26.29 €
62092920HBG	8" Clear Lid	2	105.19 €
621053HBG	O-Ring for 8" Clear Lid	3	17.84 €
W02066	Rose Distributor	4	15.85 €
121340	Elbow 1 1/2" x 90 Deg	5	7.63 €
W12088	LCT Extension 1 1/2" x 2 Holes	6	9.83 €
1318 (W12231)	113mm Heavy Duty Lateral	7	18.86 €
1319 (W12232)	206mm Heavy Duty Lateral	8	30.12 €
W02550 (17131)	Air Bleed Tube 740mm	9	5.17 €
W02289	Air Relief Tube Screen	10	6.94 €
85251	Gulf Stream Plug	11	1.23 €
W02272BLK	Bulkhead Threaded Body 50mm Black	12	4.76 €
W02268	Gasket 50mm Bulkhead	13	11.48 €
W02271BLK	Bulkhead Locknut 50mm Black	14	6.11 €
W02209BLK	B/U Locking Nut 50mm	15	2.96 €
W02210BLK	B/UP / End 50mm Black	16	2.96 €
W02213	O-Ring 50mm B/U EPDM	17	5.03 €
W02026BLK	Drain Plug Complete 15mm	18	23.02 €
W02522C	Drain Plug Wing Nut 15mm	19	8.05 €
W22314	Sight Glass 50mm Moulded	20	22.44 €
W02080	Gasket 100 x 81 x 3mm Rubber	21	18.17 €
W02567	Bulkhead Locking Ring 50mm BLK	22	16.79 €
W12236	Cap Black M8 Nut Lacron L1766	23	1.55 €
W12050B	Lid 10-Hole black - without centre hole	24	POA
W12216	O-Ring G210 (5.7 x 209.3mm)	25	14.29 €



Lacron MBF-30"

Product Code: 2220598

Part Number	Product Description	Diagram No.	LIST PRICE
W22235	Lid Tool	1	26.29 €
62092920HBG	8" Clear Lid	2	105.19 €
621053HBG	O-Ring for 8" Clear Lid	3	17.84 €
W02066	Rose Distributor	4	15.85 €
121340	Elbow 1 1/2" x 90 Deg	5	7.63 €
W12089	LCT Extension 2" x 3 Holes	6	17.96 €
1318 (W12231)	113mm Heavy Duty Lateral (4 required per filter)	7	18.86 €
1319 (W12232)	206mm Heavy Duty Lateral (4 required per filter)	8	30.12 €
1320 (W12233)	237mm Heavy Duty Lateral (8 required per filter)	9	33.92 €
W02550	Air Bleed Tube 740mm	10	5.17 €
W02289	Air Relief Tube Screen	11	6.94 €
85251	Gulf Stream Plug	12	1.23 €
W12067	Bulkhead Body 2" Lacron 1268A	13	12.41 €
W12252	Gasket Bulkhead 2" Lacron L1521	14	8.44 €
W12066	Bulkhead Locking Nut 2" Lacron 1268A	15	12.41 €
W02982	B/U Locking Nut 2" Lacron 1270A	16	12.19 €
W02983	B/U Plain End S/S 2" Lacron 1270B	17	7.22 €
W12253	B/U Gasket 2" Lacron L1523	18	3.89 €
W22314	Sight Glass 50mm Moulded	19	22.44 €
W02080	Gasket 100 x 81 x 3mm Rubber	20	18.17 €
W02567	Bulkhead Locking Ring 50mm Blk	21	16.79 €
W02026BLK	Drain Plug Complete 15mm	22	23.02 €
W02522C	Drain Plug Wing Nut 15mm	23	8.05 €
W12236	Cap Black M8 Nut Lacron L1766	24	1.55 €
W12050B	Lid 10-Hole black	25	POA
W12216	O-Ring G210 (5.7 x 209.3mm)	26	14.29 €

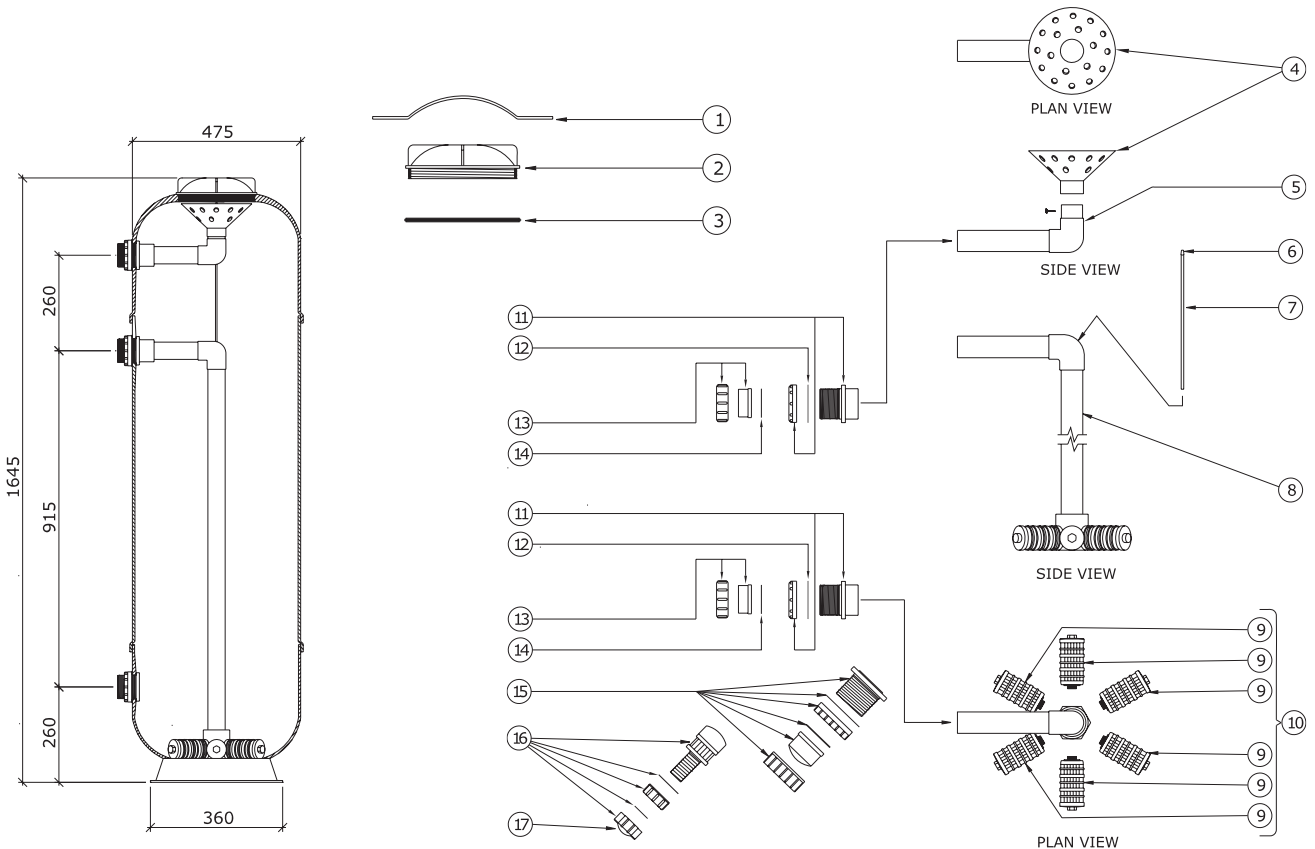


Lacron DBF-18"

Part Number	Product Description	Diagram No.	LIST PRICE
6012 (1304A)	Lacron Lid removal tool (new type - 8")	1	68.92 €
62092920HBG	Lacron Lid (new type 8")	2	105.19 €
621053HBG	Lacron Lid 'O' ring	3	17.84 €
W02066	Rose distributor	4	15.85 €
17160	18" x 1 1/2" Header (less rose)	5	327.01 €
W12045	Air bleed cap (old style)	6	5.65 €
17130	18" DBF airbleed tube	7	18.28 €
1365 (W22217)	18" Underdrain (less candles)	8	POA
1318 (W12231)	113mm Heavy duty Lateral (candle) (X 6 required per filter)	9	18.86 €
1393B	18" DBF Lateral (candle) set	10	92.61 €
1222400HBG	1 1/2" Bulkhead fitting including nut	11	36.14 €
W02268HBG	1 1/2" Bulkhead gasket (set of two)	12	16.11 €
W02992-2HBG	1 1/2" Union adaptor & nut (set of 2)	13	31.88 €
W12332-2HBG	1 1/2" Union adaptor gasket (set of 2)	14	10.09 €
W04058BLK	1 1/2" Sand drain complete	15	115.58 €
620960015HBG	Drain plug complete	16	16.59 €
W02522C	Drain plug cap only	17	9.63 €
1671	3/4" S/S self tapping screw (set of 10)	18	9.50 €
W12050SB	Side Hatch Cover		POA
W12216	Side Hatch Cover 'O' Ring		14.29 €
POST 2004			
W32554-2HBG	1.5 Union Adaptor Nut and Sleeve (Set of 2)		31.88 €
W32702-HBG	1.5" Union adaptor 'O' Ring (set of 2)		10.05 €
CLAMP LID			
W12076	NYLON AIR RELIEF TAP + 'O' RING		16.69 €
W12248	LID RETAINING CLAMP c/w SCREW & NUT		174.44 €
W02933	SMALL OVAL LID O RING		22.59 €
W12135	SMALL OVAL LID		182.32 €

PLEASE NOTE:

1.1/2" Lacron filters manufactured pre 2006 will have union adaptors (Barrel Unions with **flat gaskets** 1.1/2" Lacron filters manufactured post 2006 will have union adaptors (Barrel Unions) with 'O' rings



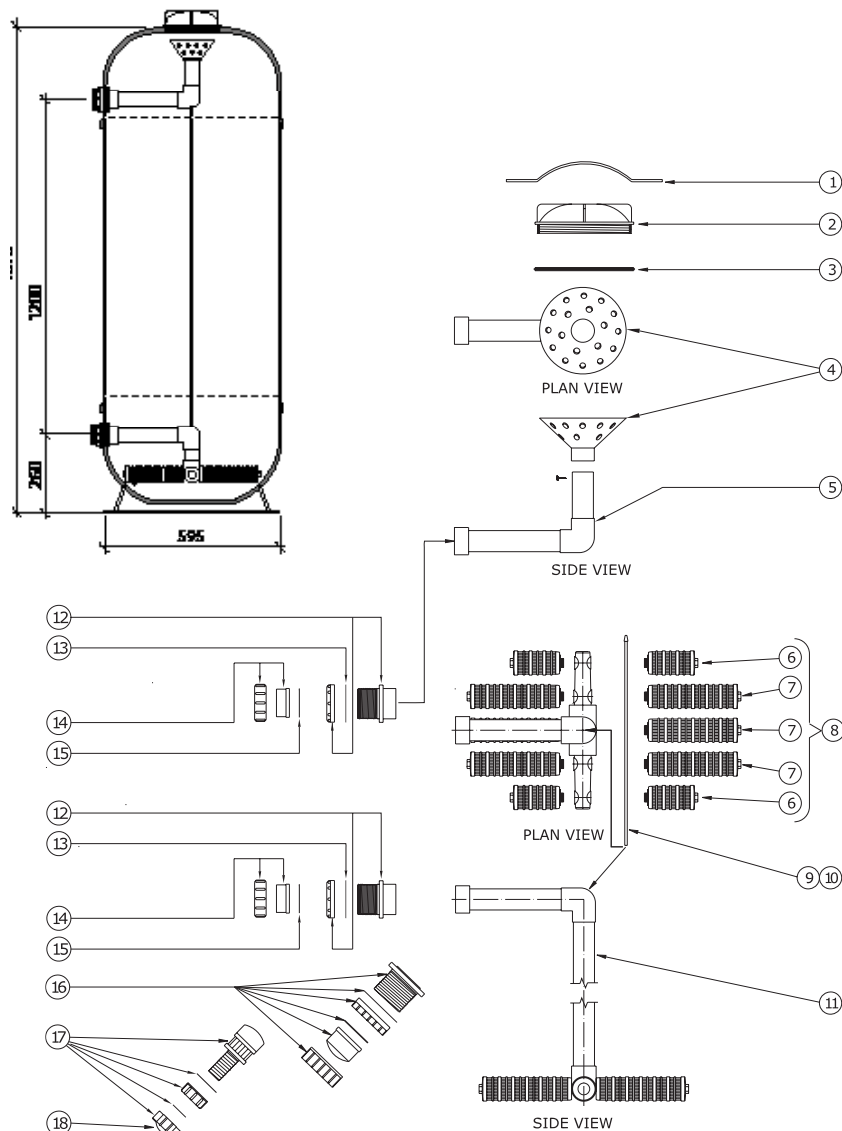
Lacron DBF-24"

Product Code: 222041624

Part Number	Product Description	Diagram No.	LIST PRICE
6012 (1304A)	Lacron Lid removal tool (new type - 8")	1	68.92 €
62092920HBG	Lacron Lid (new type 8")	2	105.19 €
621053HBG	Lacron Lid 'O' ring	3	17.84 €
W02066	Rose distributor	4	15.85 €
1368A	24" - 2" Header (less rose)	5	67.01 €
W12231	113mm Heavy duty Lateral (candle) (X 4 required per filter)	6	18.86 €
W12232	206mm Heavy duty lateral (candle) (X 6 required per filter)	7	30.12 €
1394B	24" DBF - Lateral (candle) set	8	149.47 €
W12045	Air bleed cap (old type)	9	5.65 €
W02550 (17131)	Airbleed tube	10	5.17 €
1382	1.5" Underdrain (less candles)	11	199.65 €
62096014HBG	2" Bulkhead fitting including nut	12	43.14 €
W12252HBG	2" Bulkhead gasket (set of two)	13	8.44 €
W02990-2HBG	2" Union adaptor inc sleeve (set of 2)	14	40.38 €
W12253-2HBG	2" Union adaptor gasket (set of 2)	15	16.60 €
W04058BLK	1.5" Sand drain complete	16	115.58 €
620960015HBG	Drain plug complete	17	16.59 €
W02522C	Drain plug cap only	18	9.63 €
1671	3/4" S/S self tapping screw (set of 10)		9.50 €
W12050SB	10 Hole side hatch cover		POA
W12216	10 Hole Cover 'O' Ring		14.29 €

CLAMP LID

W12076	NYLON AIR RELIEF TAP + 'O' RING	16.69 €
W12248	LID RETAINING CLAMP c/w SCREW & NUT	174.44 €
W02933	SMALL OVAL LID O RING	22.59 €
W12135	SMALL OVAL LID	182.32 €



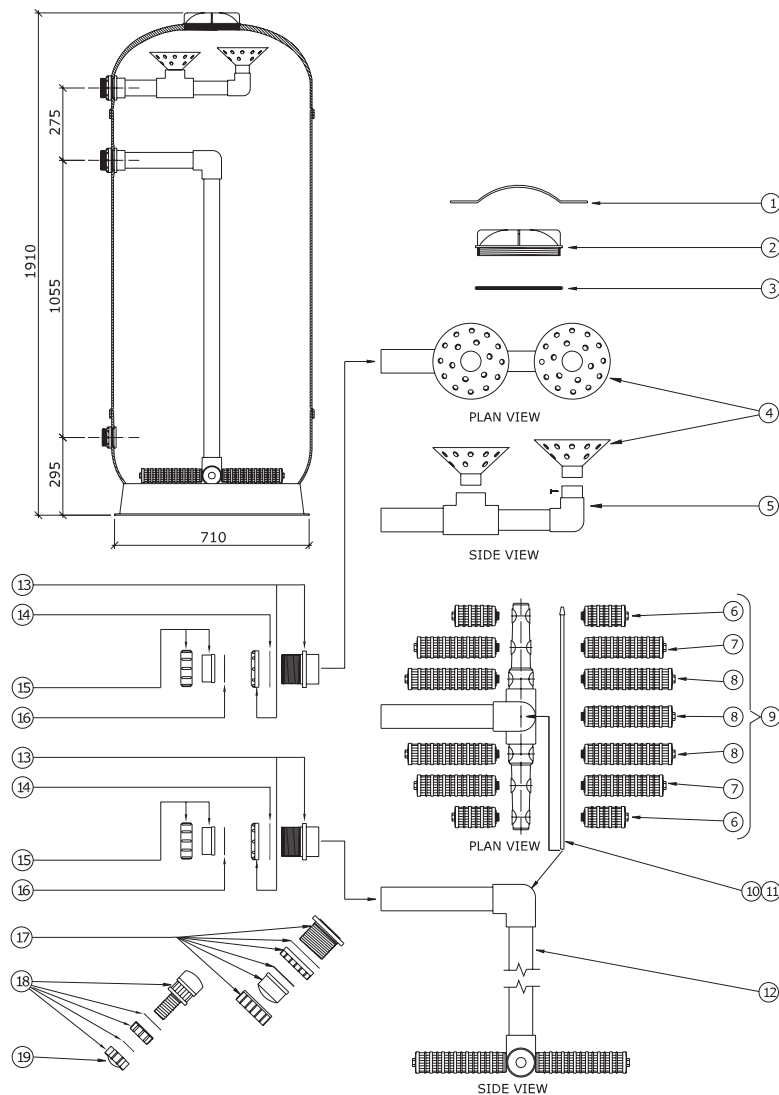
Lacron DBF-30"

Product Code: 222041630

Part Number	Product Description	Diagram No.	LIST PRICE
6012 (1304A)	Lacron Lid removal tool (new type - 8")	1	68.92 €
62092920HBG	Lacron Lid (new type 8")	2	105.19 €
621053HBG	Lacron Lid 'O' ring	3	17.84 €
W02066	Rose distributor (each)	4	15.85 €
1370 (W22072)	30" - 2" Header (less rose)	5	109.28 €
1318 (W12231)	113mm Heavy duty Lateral (candle) (X 4 required per filter)	6	18.86 €
1319 (W12232)	206mm Heavy duty lateral (candle) (X 4 required per filter)	7	30.12 €
1320 (W12233)	238mm Heavy duty lateral (candle) (X 6 required per filter)	8	33.92 €
1395B	30 x 2" DBF - Lateral (candle) set	9	149.47 €
W12045	Air bleed cap (old type)	10	5.65 €
17131	30" DBF airbleed tube	11	24.54 €
1383	2" Underdrain (less candles)	12	238.83 €
62096014HBG	2" Bulkhead fitting including nut	13	43.14 €
W12252HBG	2" Bulkhead gasket (set of two)	14	8.44 €
W02990-2HBG	2" Union adaptor inc sleeve (set of 2)	15	40.38 €
W12253-2HBG	2" Union adapter gasket (set of 2)	16	16.59 €
W04058BLK	1 1/2" Sand drain complete	17	115.58 €
620960015HBG	Drain plug complete	18	16.59 €
W02522C	Drain plug cap only	19	9.63 €
1671	3/4" S/S self tapping screw (set of 10)	n/s	9.50 €
W12050SB	Side Hatch Cover		POA
W12216	Side Hatch Cover 'O' Ring		14.29 €

CLAMP LID

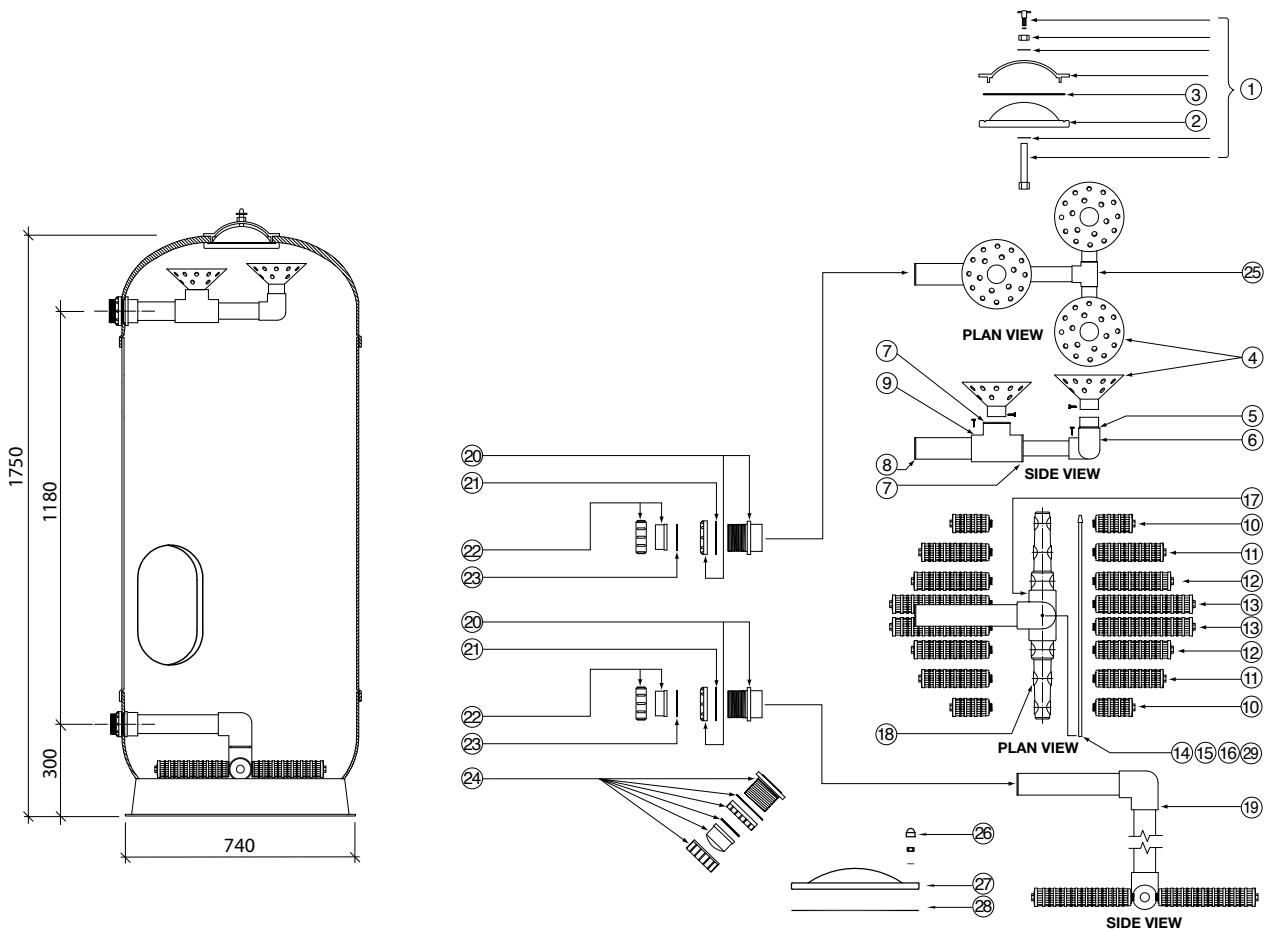
W12076	NYLON AIR RELIEF TAP + 'O' RING	16.69 €
W12248	LID RETAINING CLAMP c/w with screw and nut	174.44 €
W02933	SMALL OVAL LID 'O' RING	22.59 €
W12135	SMALL OVAL LID	182.32 €



Lacron DBF-36"

Product Code: 222041636

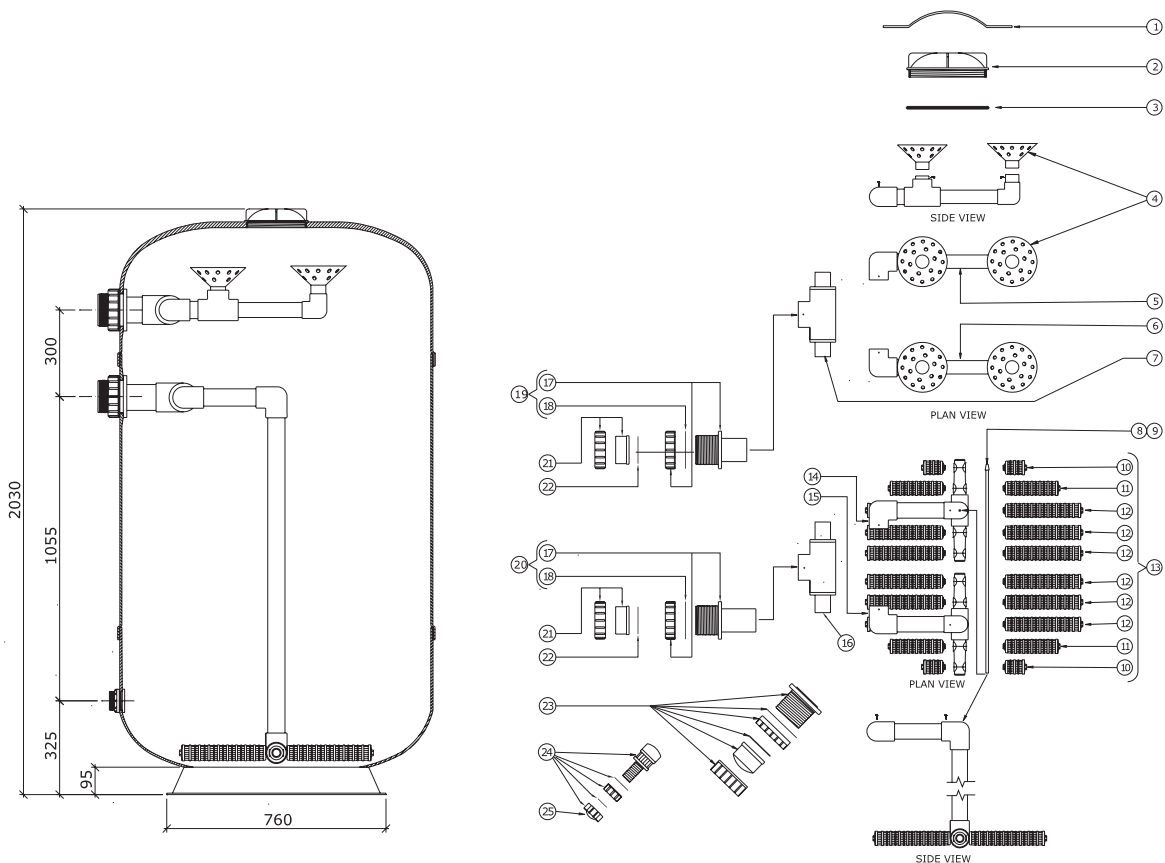
Part Number	Product Description	Diagram No.	LIST PRICE
W12248	9" x 6" Clamp Assembly (inc. nuts, washers, clamp & airtap)	1	174.44 €
W12135	9" x 6" Lid Oval	2	182.32 €
W02933	O-ring G225	3	22.59 €
W02066	Rose distributor	4	15.85 €
12555BLK	Reducing bush 2" x 1 1/2"	5	4.77 €
121350	Elbow 50mm	6	7.15 €
12566	Reducing Bush 65 x 50	n/s	12.71 €
12588	Reducing bush 3" x 2 1/2"	n/s	6.56 €
121962	Tee 65mm	9	17.17 €
1318 (W12231)	113mm Heavy Duty Lateral (candle) (X 4 required per filter)	10	18.86 €
1319 (W12232)	206mm Heavy Duty Lateral (candle) (X 6 required per filter)	11	30.12 €
1320 (W12233)	238mm Heavy Duty Lateral (candle) (X 6 required per filter)	12	33.92 €
1275 (W12229)	268mm Heavy Duty Lateral (candle) (X 4 required per filter)	13	37.67 €
1395C	36" DBF - Lateral (candle) set		394.99 €
W02289	Air relief tube screen	14	6.94 €
85251	Gulf stream plug	15	1.23 €
W02558	Air bleed tube	16	18.28 €
W12297	Tapped Tee 2 1/2"	17	29.88 €
W12089	LCT extension 3 hole	18	17.96 €
121365	Elbow 65mm	19	32.64 €
W12955	Bulkhead Body + Lock Nut 3" Blk	20	67.77 €
W02250	Gasket Bulkhead Body 3"	21	12.06 €
W12954	B/U Lock But + Plain End 3" Black	22	55.80 €
W02249	O-ring 3" B/U	23	10.47 €
W04058BLK	Drain Plug Complete 40mm Complete	24	115.58 €
121950	Tee 50mm	25	6.22 €
W12956	Black Cap Nut M12	26	42.14 €
W12311	Large Oval Hatch 18-Hole	27	447.45 €
W12300	Gasket Oval 18-Hole	28	53.23 €
W22173	Gland PG7 (3 - 6.5)	26	10.94 €



Lacron DBF-42"

Product Code: 222041642

Part Number	Product Description	Diagram No.	LIST PRICE
6012	Lacron Lid removal tool (new type - 8")	1	68.92 €
62092920HBG	Lacron Lid (new type 8")	2	105.19 €
621053HBG	Lacron Lid 'O' ring	3	17.84 €
W02066	Rose distributor (each)	4	15.85 €
1372	42" LHS - Header (less rose)	5	140.13 €
1372A	42" RHS - Header (less rose)	6	140.13 €
1372B	42" Main header 'T' (inc connect pipe)	7	197.40 €
W12045	Air bleed cap (old style)	8	5.65 €
17133	Air bleed tube	9	54.16 €
W12228	82mm Heavy duty Lateral (candle) (X 4)	10	16.96 €
1320 (W12233)	238mm Heavy duty lateral (candle) (X 4)	11	33.92 €
1277 (W12230)	300mm Heavy duty lateral (candle) (X 12)	12	38.45 €
1396B	42" DBF - Lateral (candle) set	13	406.48 €
1371	42" LHS Underdrain (less candles)	14	167.98 €
1371A	42" RHS Underdrain (less candles)	15	167.98 €
1371B	42" Main underdrain 'T' (incl connecting pipe)	16	197.40 €
62096017HBG	3" Bulkhead fitting including nut	17	67.77 €
6019 (W02250)	3" Bulkhead gasket (set of two)	18	24.13 €
1525A	42" Bulkhead fitting (top)	19	80.42 €
1525B	42" Bulkhead fitting (bottom)	20	82.86 €
6018 (W02253BLK /W02255BLK /W02255EBLK)	3" Union adaptor inc sleeve (each) 'O' Ring type	21	55.80 €
6020	3" Union adaptor gasket (set of 2) Pre 2007	22	20.35 €
6302550-HBG	3"/90mm ADAPTOR 'O' RING (Set of 2) POST 2007		20.15 €
W04058BLK	1/2" Sand drain complete	23	115.58 €
W02026BLK	Drain plug complete	24	23.02 €
1671	3/4" S/S self tapping screw (set of 10)		9.50 €
W12311	Oval hatch 18 hole		447.45 €
W12300	Oval Gasket 18 hole		53.23 €
POST 2007 'CLAMP LID'			
W12076	NYLON AIR RELIEF TAP + 'O' RING		16.69 €
W12248	LID RETAINING CLAMP c/w SCREW & NUT		174.44 €
W02933	SMALL OVAL LID O RING		22.59 €
W12135	SMALL OVAL LID		182.32 €



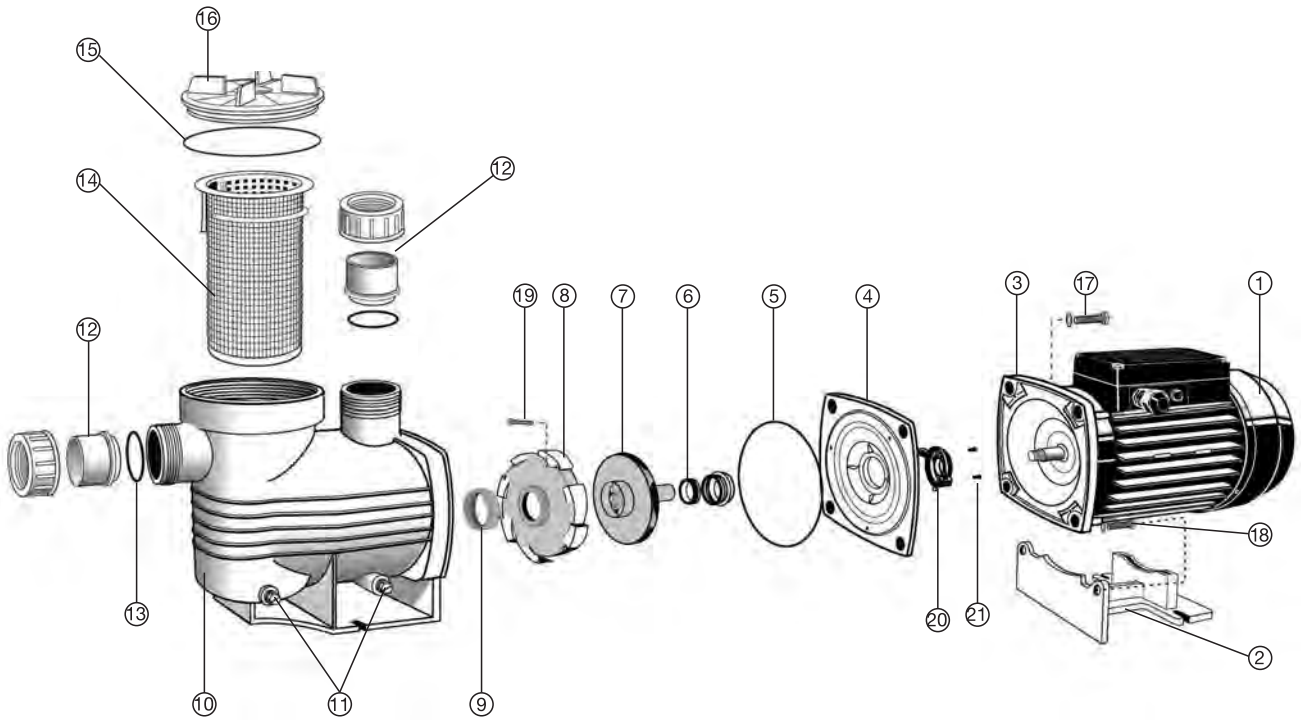
Aquamite

Product Codes: 2402033PNR-M, 2402050PNR-M, 2402075PNR-M,2402100PNR-M, 2402125PNR-M

Part Number	Product Description	Diagram No.	LIST PRICE
	Motor	1	N/A
631781	Motor slinger (for 635034E)	n/s	4.73 €
6340222	Pump Foot (Post November 2015)	2	18.28 €
634021	Pump Foot Insert (Post November 2015)	n/s	11.18 €
S1226911	Pump body o ring	5	4.07 €
6340162	Mechanical seal (316 S/S)	6	65.00 €
63401625	Mechanical seal (Silicon Carbide S/S Viton)	6	204.00 €
635064	Impeller (Aquamite 33)	7	66.36 €
635065	Impeller (Aquamite 50)	7	66.36 €
635066	Impeller (Aquamite 75)	7	66.36 €
635067	Impeller (Aquamite 100)	7	66.36 €
635068	Impeller (Aquamite 125)	7	66.36 €
635061	Diffuser	8	31.97 €
635060	Diffuser gasket	9	5.58 €
635082	Pump face Hair/Lint pot body	10	167.89 €
63402302	Drain plug	11	2.96 €
620193	O-Ring BS112	n/s	3.78 €
122243B	1 1/2" half union c/w o ring	12	7.31 €
122245B	50mm European metric half union c/w o ring	12	7.52 €
W02213	Half union o ring	13	5.03 €
6350850	H/L pot basket	14	POA
635084	H/L pot lid o ring	15	6.63 €
635083	H/L Pot lid	16	45.35 €
63505321	Aquamite multi pack M8 bolts & washers	17/18	11.83 €
	2 x 635053 (M8 x 30 bolt)		
	4 x 630218 (M8 washer)		
	2 x 6350540 (M8 x 40 bolt)		
63506351	Aquamite/Aquastream Adaptor Kit:-		138.22 €
	63506340 - Square bracket kit	4/19	
	S1290816 - Screw M3x30mm Pan Head SS (each, 4 required)	19	
	6340165 - Flange Protector kit	20	
	63400833 - Screw # 4 x 3/8" pan head SS (each, 2 required)	21	
	6340162 - Mechanical Seal SS 316	6	
85517	Solar Insert Check Valve	22	7.88 €
634086	Lid Toolbar (suits all pumps)	n/s	11.37 €
For pumps with fan covers including screw fixings:			
6340451	Capacitors for Aquamite 033 & 050	n/s	60.15 €
6340452	Fans for Aquamite 033 & 050	n/s	10.26 €
63404440	Fan covers for Aquamite 033 & 050	n/s	POA
6340446	Capacitors for Aquamite 075, 100 & 125	n/s	67.48 €
6340454	Fans for Aquamite 075, 100 & 125	n/s	12.87 €
6340440	Fan covers for Aquamite 075, 100 & 125		22.34 €
634044704	Capacitor For Aquamite 0.33HP - 1.25HP (Post November 2015)		60.78 €
For pumps with push on fan covers:			
634044	Fan cowling (100,125,150)	n/s	22.34 €
63404411	Fan cowling (50,75)	n/s	22.34 €
634045	Fan (100,125,150)	n/s	12.09 €
63404502	Fan (50,75)	n/s	27.16 €
634044701	Capacitor (100,125)	n/s	85.78 €
63404472	Capacitor (150)	n/s	85.68 €
634044601	Capacitor (50, 75)	n/s	101.78 €

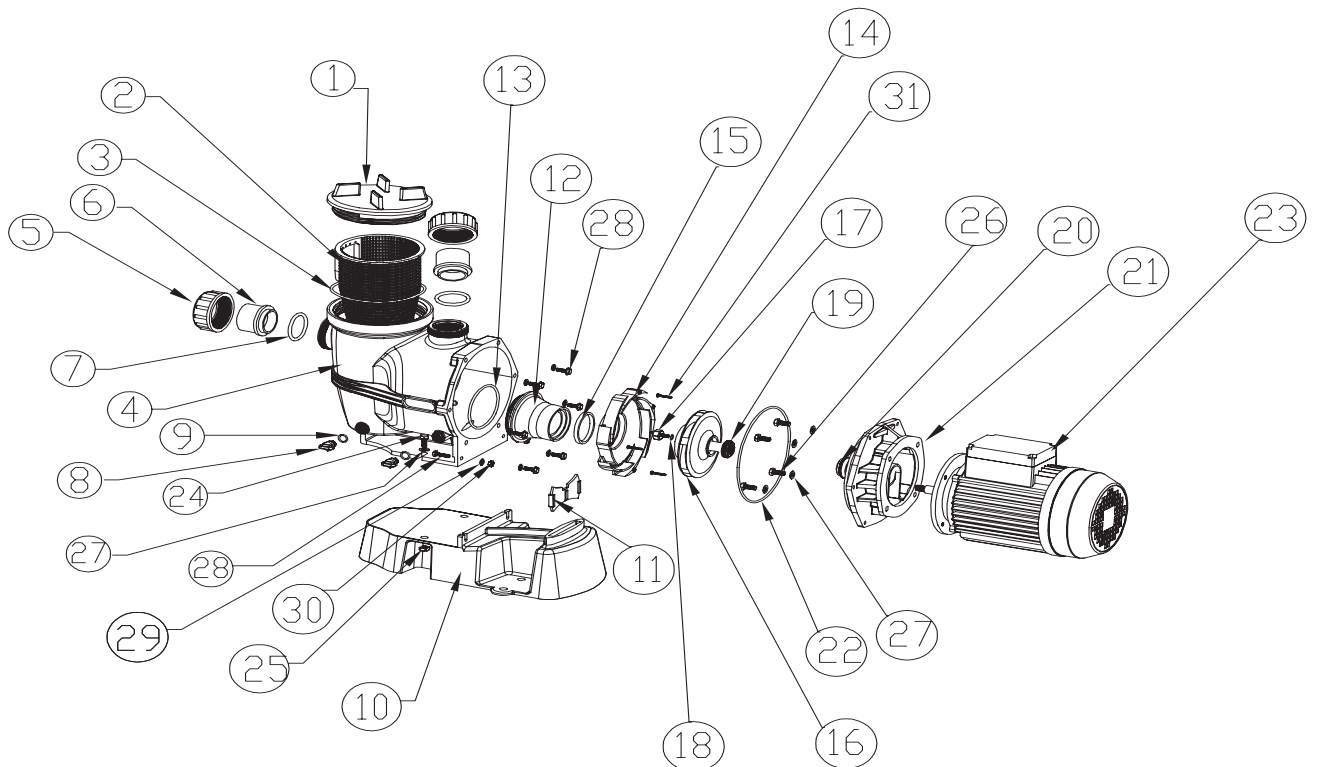
Aquamite

Product Codes: 2402033PNR-M, 2402050PNR-M, 2402075PNR-M, 2402100PNR-M, 2402125PNR-M



Lacronite Pump

Product Codes: 24070050, 24070075, 24070100, 24070150



Lacronite Pump

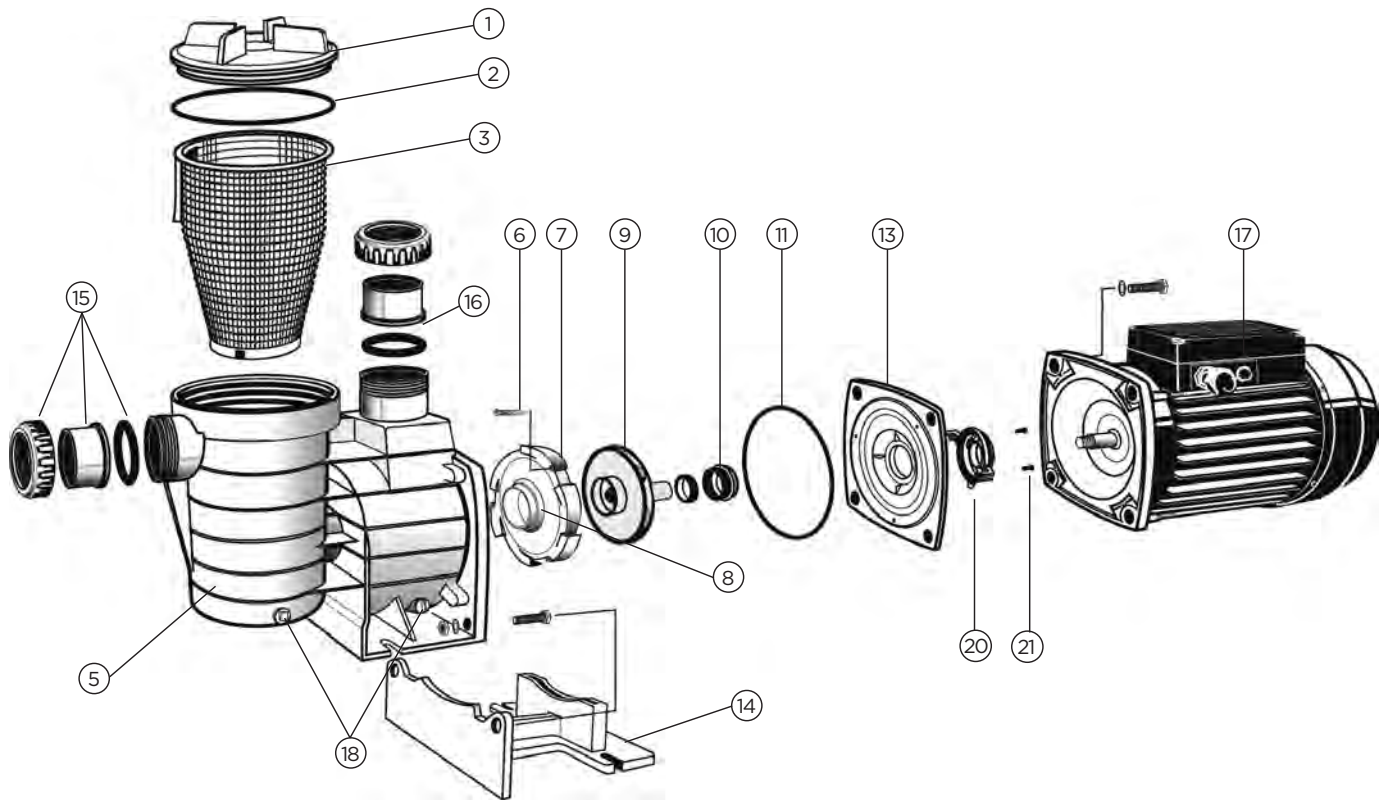
Product Codes: 24070050, 24070075, 24070100, 24070150

Part Number	Product Description	Diagram No.	LIST PRICE
63400821	Screw PT SS316 M4x25mm	31	2.84 €
6340060	H&L Pot Foot Nut M6 Ss316	30	4.16 €
6340030	H&L Pot Foot Washer M6 SS316	29	9.24 €
6340040	H&L Pot foot bolt (x20) SS316	28	1.61 €
6302180	Mounting Washer SS316 5/16x5/8	27	0.62 €
63401830	Hex set M8x20 SS316 (bracket to motor)	26	0.97 €
W22039	Nut M8 Heat Pump	25	9.63 €
W22424	Bolt M8x25mm SS316	24	6.56 €
	Motor	23	N/A
634017	Bracket O-Ring	22	9.61 €
63402031	Bracket Assembly MK3	21	112.80 €
6340162	Mechanical Seal SS316	19 & 20	65.00 €
82444205	O-Ring BS011	18	0.38 €
W22912	L/H Cap Screw Moulded	17	14.36 €
63401255	050 Impeller	16	68.05 €
63401256	050, 075 Impellor	16	68.05 €
63401257	100 Impellor (with hole)	16	73.14 €
6340130	125 Impellor (with hole)	16	73.14 €
63401430	150 Impellor (with hole)	16	73.14 €
6340145	200 Impellor (with hole)	16	73.14 €
634011	Diffuser Gasket	15	7.34 €
634010	Diffuser	14	68.26 €
6340113	Diffuser O-Ring	13	6.39 €
634079	Suction Nozzle	12	20.11 €
634021	Pump Foot Insert	11	11.18 €
6340892	Lacronite Pump Base	10	72.91 €
620193	O-Ring BS112	9	3.78 €
63402301	Drain Plug 1 1/4" NPT	8	2.96 €
122243B	1 1/2" Union Complete with O-Ring	5,6 & 7	7.31 €
122245B	50mm Union Complete with O-Ring	5,6 & 7	7.52 €
6340894	Lacronite Pump Housing 1 1/2 Port	4	139.73 €
63151	H&L Pot Lid O-Ring	3	9.33 €
6340891	Lacronite H&L pot	2	24.13 €
634000	H&L Pot Lid	1	53.35 €
For pumps with fan covers including screw fixings:			
6340451	Capacitors for Aquamite 033 & 050	n/s	60.15 €
6340452	Fans for Aquamite 033 & 050	n/s	10.26 €
63404440	Fan Covers for Aquamite 033 & 050	n/s	22.34 €
6340446	Capacitors for Aquamite 075, 100 & 125	n/s	67.48 €
6340454	Fans for Aquamite 075, 100 & 125	n/s	12.87 €
6340440	Fan Covers for Aquamite 075, 100 & 125		22.34 €
For pumps with push on fan covers:			
634044	Fan Cowling (100,125,150)	n/s	22.34 €
63404411	Fan Cowling (50,75)	n/s	22.34 €
634045	Fan (100,125,150)	n/s	12.09 €
63404502	Fan (50,75)	n/s	27.16 €
634044701	Capacitor (100,125)	n/s	85.78 €
63404472	Capacitor (150)	n/s	85.68 €
634044601	Capacitor (50, 75)	n/s	101.78 €

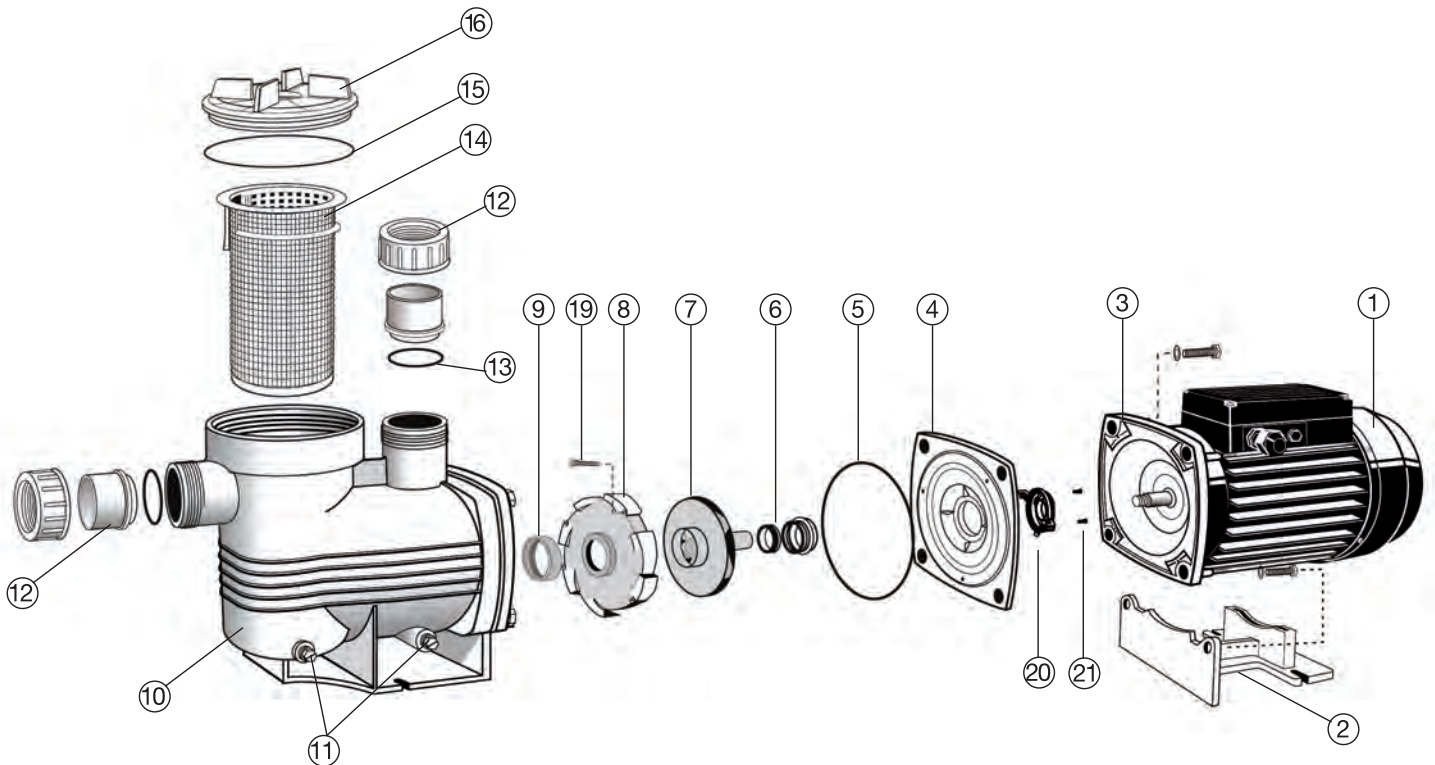
Supatuf

Part Number	Product Description	Diagram No.	LIST PRICE
634000	H/L pot lid	1	53.35 €
63151	H/L pot lid o ring	2	9.33 €
6350011	H/L pot basket mk2	3	21.52 €
6350191	Pump face H/L pot body (Supatuf 50 - 200)	5	145.52 €
63501912	Pump face H/L pot (Supatuf 250 - 300)	5	145.52 €
635017	Diffuser (Supatuf 50 - 200)	7	47.67 €
635022	Diffuser (Supatuf 250 - 300)	7	49.47 €
634011	Diffuser gasket	8	7.34 €
635015	Impeller (Supatuf 50)	9	81.25 €
635010	Impeller (Supatuf 75)	9	81.25 €
63501100	Impeller (Supatuf 100)	9	81.25 €
635014	Impeller (Supatuf 125)	9	81.25 €
63501200	Impeller (Supatuf 150)	9	81.25 €
6350134	Impeller (Supatuf 200)	9	81.25 €
6350230	Impeller (Supatuf 250)	9	81.25 €
6350160	Impeller (Supatuf 300) (suit screw type)	9	81.25 €
6340162	Mechanical seal (316 s/s)	10	65.00 €
63401625	Mechanical seal (Silicon Carbide S/S Viton)	10	204.00 €
635028	Pump body o ring	11	4.07 €
6340222	Pump foot (Supatuf 75 -125)	14	18.28 €
6340223	Pump foot (Supatuf 150 - 250)	14	18.28 €
634024BLK	2" Half union c/w o ring	15	11.28 €
634024EBLK	63mm European metric Half union c/w o ring	15	11.28 €
W02280	Half union o ring	16	3.87 €
	Motor	17	N/A
63402301	Drain Plug	18	2.96 €
6340020	Supatuf M6 multi pack bolts & washers	n/s	5.56 €
	2 x 6340060 (M6 nut)		
	2 x 6340030 (M6 washer)		
	2 x 63400410 (M6 x 25 bolt)		
63401812	Supatuf M8 multi pack bolts & washers(2003 current body)	n/s	7.51 €
	4 x 6302180 (M8 washer)		
	4 x 6350530 (M8 x 30 bolt)		
634086	Lid Toolbar (suits all pumps)	n/s	11.37 €
6350212	Adaptor kit for Supatuf/Supaflo (50 - 200)		136.93 €
	6350215 -Square Bracket	13	
	S1290816 - Screw M3x30mm Pan Head SS (each, 3 required)	6	
	6340165 - Flange Protector Kit	20	
	63400833 - Screw # 4 x 3/8" Pan Head SS (each, 2 required)	21	
6350215	Square Bracket	13	33.56 €
63400835	Screw M3x45 SS304 Pan Head SS (each, 3 required)	6	POA
6340165	Flange Protector Kit	20	POA
63400833	Screw # 4 x 3/8" Pan Head SS (each, 2 required)	21	POA
6350215	Adapter plate	13	33.56 €
634086	Lid Toolbar (suits all pumps)	n/s	11.37 €
6340451	Capacitors for Supatuf 050	n/s	60.15 €
6340452	Fans for Supatuf & 050	n/s	10.26 €
63404440	Fan covers for Supatuf 050	n/s	22.34 €
6340446	Capacitors for Supatuf 075, 100 & 125	n/s	67.48 €
6340454	Fans for Supatuf 075, 100 & 125	n/s	12.87 €
6340440	Fan covers for Supatuf 075, 100 & 125	n/s	22.34 €
6340447	Capacitors for Supatuf 150, 200 & 250	n/s	67.49 €
6340455	Fans for Supatuf 150, 200 & 250	n/s	12.87 €
6340443	Fan covers for Supatuf 150, 200 & 250	n/s	22.34 €

Supatuf



Supastream



Supastream

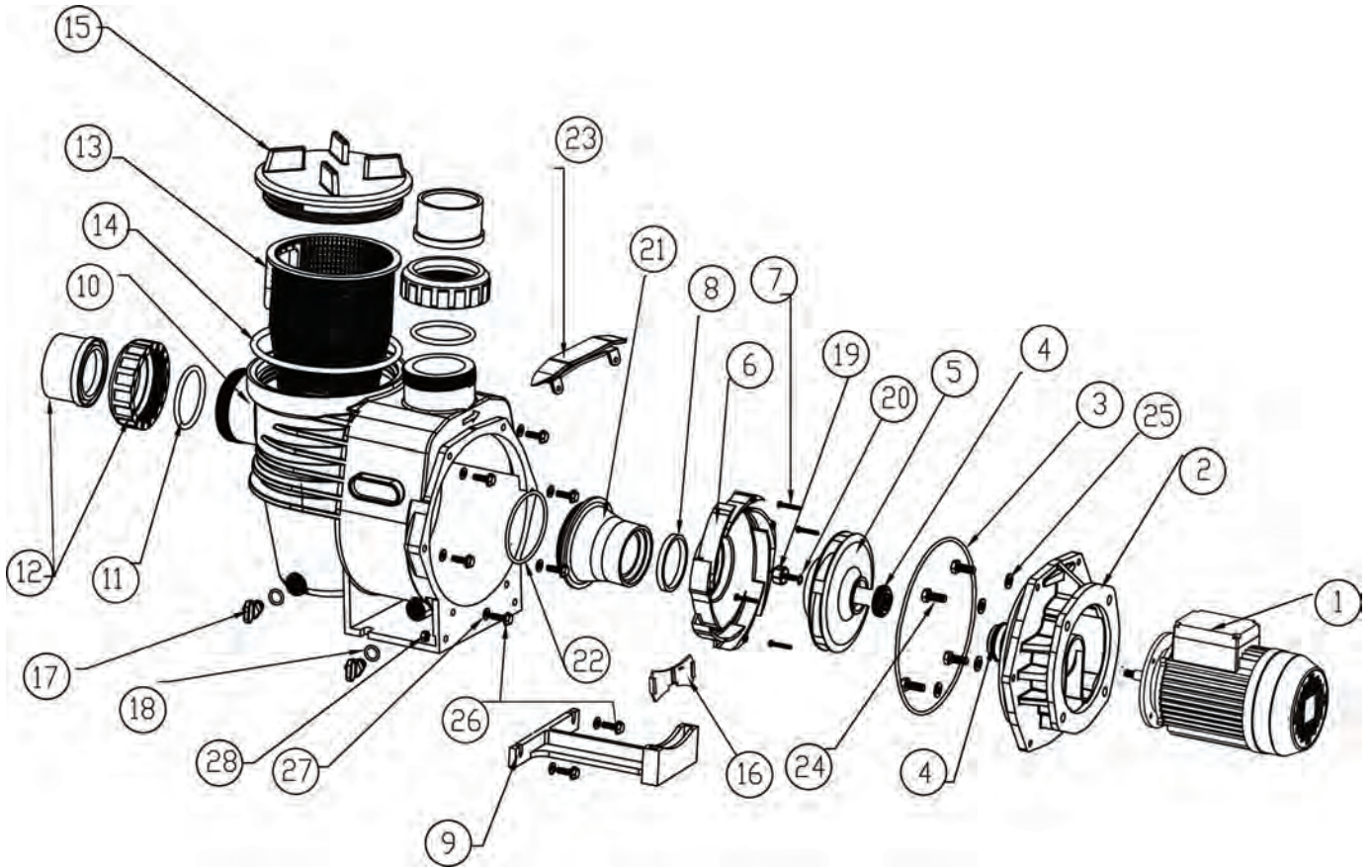
Product Codes: 2340305PNR-M / 2403075PNR-M / 2403100PNR-M / 2403150PNR-M

Part Number	Product Description	Diagram No.	LIST PRICE
	Motor	1	N/A
635072	Motor Pump Foot (Pre July 2014)	2	13.62 €
635074	Pump Foot Insert (Supastream 75, 100 & 125) (Pre July 2014)	n/s	3.23 €
6340222	Pump Foot (Pre July 2014)		18.28 €
634021	Pump Foot Insert 0.5Hp - 1Hp)		11.18 €
63506350	Square Bracket With Brass Insert	4	48.96 €
S1226911	Pump Body O Ring	5	4.07 €
6340162	Mechanical Seal (316 S/S)	6	65.00 €
63401625	Mechanical Seal (Silicon Carbide S/S Viton)	6	204.00 €
635065	Impeller (Supastream 50)	7	66.36 €
635096	Impeller (Supastream 75)	7	66.36 €
635097	Impeller (Supastream 100)	7	66.36 €
6350980	Impeller (Supastream 125)	7	66.36 €
635099	Impeller (Supastream 150)	7	66.36 €
635061	Diffuser	8	31.97 €
635060	Diffuser Gasket	9	5.58 €
W12963	Pump Face H/L Pot Body	10	167.89 €
63402302	Drain Plug 1/4" BSP	11	2.96 €
122243B	1 1/2" Half Union C/W O Ring	12	7.31 €
122245B	50mm European Metric Half Union C/W O Ring	12	7.52 €
W02213	Half Union O-Ring	13	5.03 €
635087	H/L Pot Basket	14	19.64 €
635052	H/L Pot Lid O Ring	15	6.63 €
635051	H/L Pot Lid	16	47.67 €
S1160963	Supastream M8 Multi Pack Bolts & Washers	17	8.87 €
	2 X 6350530 (M8 X 30 Bolt) (Pre July 2014)		
	4 X 6302180 (M8 Washer) (Pre July 2014)		
	2 X 6350530 (M8 X 30 Bolt) (Pre July 2014)		
	4 X 6350540 (M8 X 40 Bolt) (Post July 2014)		
	4 X 6302180 (M8 Washer) (Post July 2014)		
634086	Toolbar (suit all pumps)	n/s	11.37 €
635063510	Adaptor kit		138.23 €
	63506350 - Square Bracket Kit	4 & 19	
	S1290816 - Screw M3 x 30mm Pan Head SS (each, 4 required)	19	
	6340165 - Flange Protector Kit	20	
	63400833 - Screw#4x3/8" Pan Head SS (each, 2 required)	21	
	6340162 - Mechanical Seal SS 316	6	
	63813922 - O-Ring BS029		
6340446	Capacitors for Supastream 075, 100 & 125	n/s	67.48 €
6340454	Fans for Supastream 075, 100 & 125	n/s	12.87 €
6340440	Fan covers for Supastream 075, 100 & 125	n/s	22.34 €
6340447	Capacitors for Supastream 150, 200 & 250	n/s	67.49 €
6340455	Fans for Supastream 150, 200 & 250	n/s	12.87 €
6340443	Fan covers for Supastream 150, 200 & 250	n/s	22.34 €
For pumps with fan covers including screw fixings:			
6340451	Capacitors for Supastream 033 & 050	n/s	60.15 €
6340452	Fans for Supastream 033 & 050	n/s	10.26 €
6340444	Fan covers for Supastream 033 & 050	n/s	22.34 €
6340446	Capacitors for Supastream 075, 100 & 125	n/s	67.48 €
6340454	Fans for Supastream 075, 100 & 125	n/s	12.87 €
6340440	Fan covers for Supastream 075, 100 & 125		22.34 €
634044704	Capacitor For Supastream 0.5 - 1.5HP (Post July 2014)		60.78 €
For pumps with push on fan covers:			
634044	Fan cowling (100,125,150)	n/s	22.34 €
63404411	Fan cowling (50,75)	n/s	22.34 €
634045	Fan (100,125,150)	n/s	12.09 €
63404502	Fan (50,75)	n/s	27.16 €
634044701	Capacitor (100,125)	n/s	85.78 €
63404472	Capacitor (150)	n/s	85.68 €
634044601	Capacitor (50, 75)	n/s	101.78 €

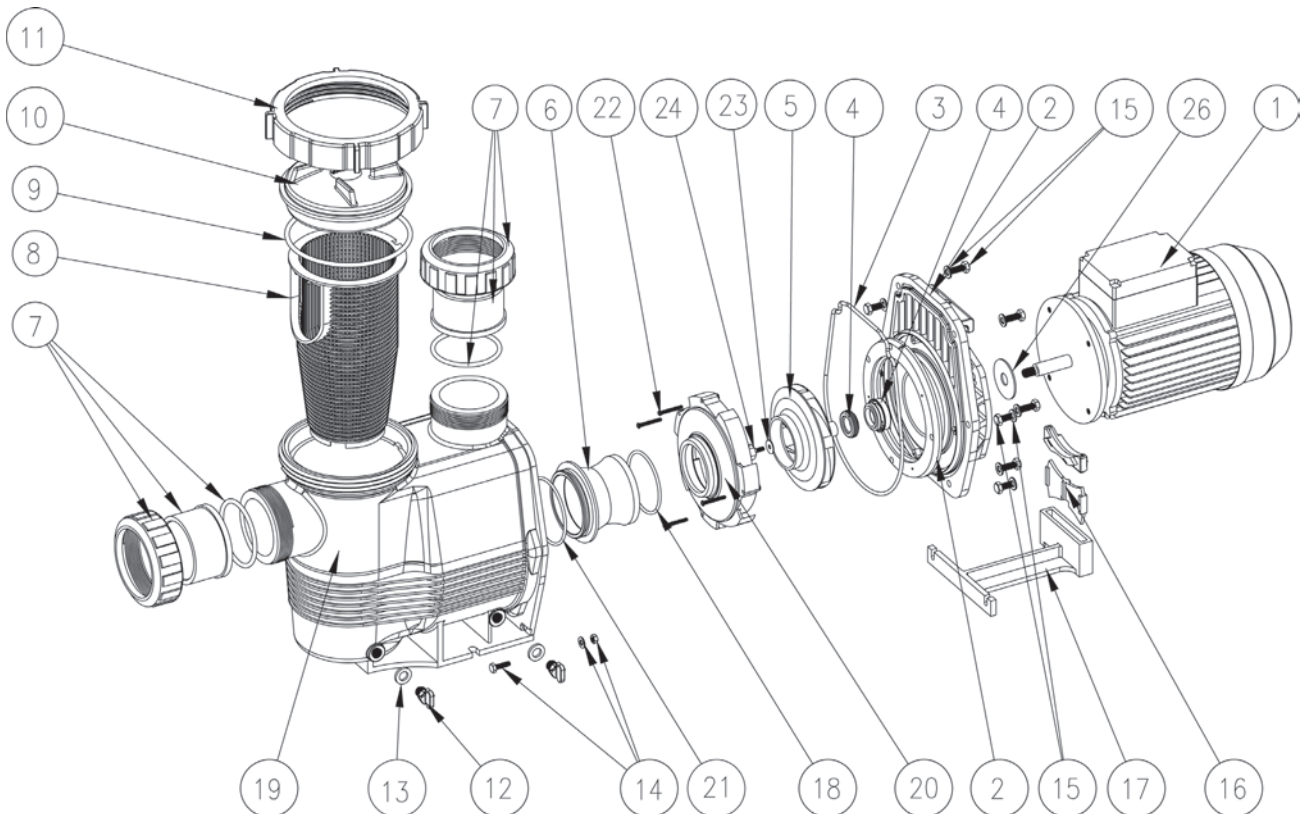
Hydrostorm

Part Number	Product Description	Diagram No.	LIST PRICE
	Motor	1	N/A
6340203	Mounting Bracket/Adaptor Plate	2	143.86 €
634017	Pump Body O-Ring	3	9.61 €
6340162	Mechanical Seal (316 S/S)	4	65.00 €
63401625	Mechanical Seal (Silicon Carbide S/S Viton)	4	204.00 €
6340120	Impeller (Hydrostorm 75)	5	73.14 €
6340130	Impeller (Hydrostorm 100)	5	73.14 €
63401430	Impeller (Hydrostorm 150)	5	73.14 €
6340145	Impeller (Hydrostorm 200)	5	73.14 €
6340157	Impeller (Hydrostorm 250)	5	73.14 €
63401534	Impeller (Hydrostorm 300)	5	73.14 €
63401533	Impeller (Hydrostorm 350)	5	94.27 €
W22912	L/Hand Screw Moulded M5 x 18	19	14.36 €
634010	Diffuser (Hydrostorm 75, 100, 150, 200, 250)	6	68.26 €
6340103	Diffuser (Hydrostorm 300, 350)	6	51.48 €
W22841	Diffuser Screw (set of 4)	7	3.89 €
82444205	O-Ring BS011	20	0.38 €
634011	Diffuser Gasket	8	7.34 €
6340113	Diffuser O-Ring 3.50hp	8	6.39 €
634022	Pump Foot	9	19.75 €
634021	Pump Foot Insert (Hydrostorm 300-350 & All 3 Phase)	16	11.18 €
6340052	H/L Pot Body & Pump Face	10	209.59 €
W02280	2" Half Union O-Ring	11	3.87 €
634024BLK	2" Half Union C/W O Ring	12	11.28 €
63402400	63Mm European Metric Half Union C/W O Ring	12	11.07 €
1222570	2" X 1 1/2" Half Union (Suit 1.00, 1.25Hp 2002)	12	12.10 €
634001	H/L Pot Basket	13	22.17 €
63151	H/L Pot Lid O-Ring	14	9.33 €
634000	H/L Pot Lid	15	53.35 €
63402301	Drain Plug 1/4" NPT	17	2.96 €
620193	O-Ring BS112	18	3.78 €
634086	Lid Toolbar (Suits All Pumps)	n/s	11.37 €
6340446	Capacitors For Hydrostorm 075, 100 & 125	n/s	67.48 €
6340454	Fans For Hydrostorm 075, 100 & 125	n/s	12.87 €
6340440	Fan Covers For Hydrostorm 075, 100 & 125	n/s	22.34 €
6340447	Capacitors For Hydrostorm 150, 200 & 250	n/s	67.49 €
6340455	Fans For Hydrostorm 150, 200 & 250	n/s	12.87 €
6340443	Fan Covers For Hydrostorm 150, 200 & 250	n/s	22.34 €
6340790	Suction Nozzle (1HP - 2.5HP)	21	20.10 €
6340810	Suction Nozzle (3HP - 3.5HP)	21	21.67 €
6340113	O-Ring BS234	22	6.39 €
63402030	Hydrostorm Bracket Handle	23	10.35 €
63401830	Bolt M8 x 20 x 4	24	0.97 €
6302180	Washer M8 x 4	25	0.62 €
63400410	Bolt M6 x 25 x 6	26	1.22 €
6340030	Washer M6 x 8	27	9.24 €
6340060	Nut M6	28	4.16 €

Hydrostorm



Hydrostorm Plus

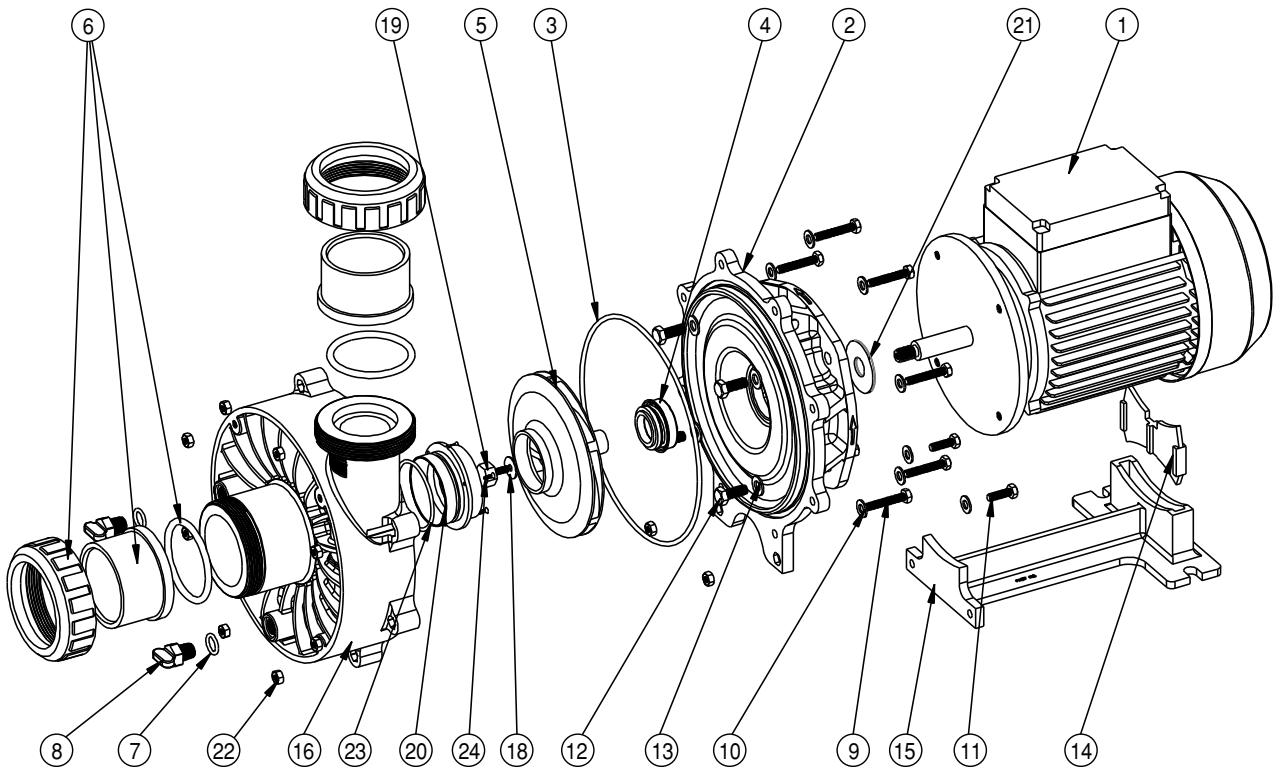


Hydrostorm Plus

Part Number	Product Description	Diagram No.	LIST PRICE
	Motor	1	N/A
63406813	Bracket Assembly	2	238.25 €
634070	Pump Body O-Ring	3	21.88 €
6340162	Mechanical Seal (316 S/S)	4	65.00 €
63401625	Mechanical Seal (Silicon Carbide S/S Viton)	4	204.00 €
6340120	Impeller (Hydrostorm Plus 100)	5	73.14 €
6340130	Impeller (Hydrostorm Plus 125)	5	73.14 €
63401430	Impeller (Hydrostorm Plus 150)	5	73.14 €
6340145	Impeller (Hydrostorm Plus 200)	5	73.14 €
6340157	Impeller (Hydrostorm Plus 250)	5	73.14 €
63401534	Impeller (Hydrostorm Plus 300)	5	73.14 €
63401533	Impeller (Hydrostorm Plus 350)	5	94.27 €
634015350	Impeller With Flats (Hydrostorm Plus 400)	5	93.93 €
634079	Suction Nozzle (100 - 250)	6	20.11 €
634081	Suction Nozzle (300 - 400)	6	20.11 €
634024BLK	2" Half Union C/W O Ring	7	11.28 €
63402400	63Mm European Metric Half Union C/W O Ring	7	11.07 €
W02280	2" Half Union O-Ring	7	3.87 €
63406550BLK	2 1/2" / 2" Half Union (Suit 6340783)	7	32.64 €
63406565EBLK	2 1/2" Half Union C/W 75Mm Metric Tail Piece C/W O Ring	7	32.64 €
644490	2 1/2" / 3" Half Union Plain End Only (Suit 6340783)	7	33.71 €
12780	Coupling 3"	N/S	15.61 €
634085	H/L Pot Basket	8	26.95 €
61214	H/L Pot O Ring	9	10.70 €
634082	H/L Pot Lid	10	21.13 €
61209	H/L Pot Lock Ring	11	34.53 €
63402301	Drain Plug	12	2.96 €
620193	O-Ring Bs112	13	3.78 €
634004211	Hydrostorm M6 Multi Pack Bolts & Washers (316 S/S)	14	20.35 €
	2 X 6340040 (M6 X 20 Bolt)		
	2 X 6340030 (M6 Washer)		
	2 X 6340060 (M6 Nut)		
63401830	10 X (M8 X 20 Bolt)		0.97 €
6302180	10 X (M8 Washer)		0.62 €
634021	Pump Foot Insert (100 - 350)	16	11.18 €
634073	Pump Foot Insert (400 Only)	16	11.19 €
634022	Pump Foot (100 - 350)	17	19.75 €
634072	Pump Foot (400 Only)	17	62.78 €
634011	Diffuser Gasket (100 - 250)	18	7.34 €
6340113	Diffuser Gasket (300 - 400)	18	6.39 €
634076	Pump Face H/L Pot Body 50Mm (Hydrostorm Plus 100 - 250)	19	549.19 €
634078	Pump Face H/L Pot Body 65Mm (Hydrostorm Plus 300, 350)	19	549.19 €
634010	Diffuser (Hydrostorm Plus 100 - 250)	20	68.26 €
6340103	Diffuser (Hydrostorm Plus 300, 400)	20	51.48 €
6340113	Suction Nozzle O-Ring	21	6.39 €
W22841	Diffuser Screw (Set Of 4) (100 - 250)	22	3.89 €
S1290816	Diffuser Screw (Set Of 4) (300 - 400)	22	4.97 €
82444205	O-Ring Bs011 (1Hp - 3Hp)	23	0.38 €
6340412	O Ring Bs113 (400 Only)	23	0.38 €
W22912	4 Hand Screw M5 X 18 Moulded	24	14.36 €
6340411	Nut M10 Overmoulded	24	15.62 €
631782	Motor Slinger (1Hp - 2.5Hp)	26	6.29 €
634086	Lid Toolbar (Suits All Pumps)	N/S	11.37 €

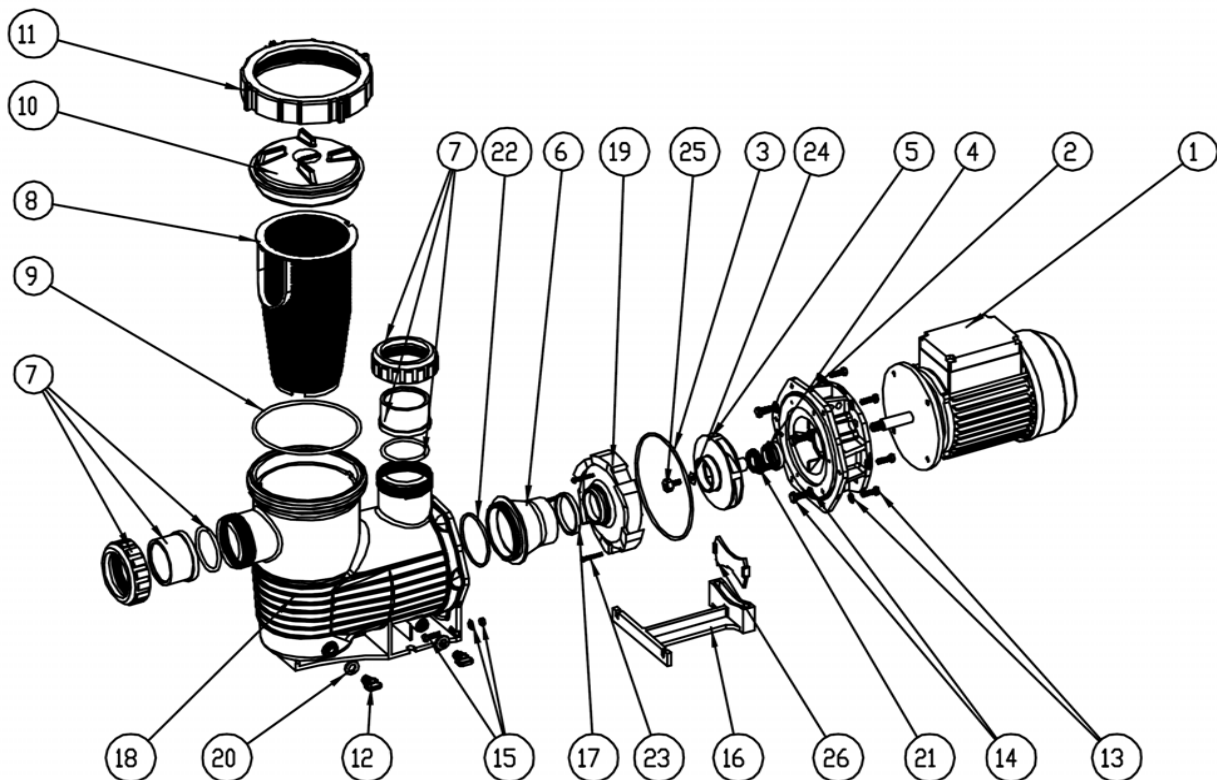
Turboflo

Part Number	Product Description	Diagram No.	LIST PRICE
	Motor	1	N/A
634101	Bracket	2	131.43 €
61307	Bracket O-Ring	3	7.35 €
6340162	Mechanical seal	4	65.00 €
634012	Impeller - 1.0hp	5	73.14 €
6340143	Impeller - 1.5hp	5	73.14 €
6340145	Impeller - 2.0hp	5	73.14 €
6340157	Impeller - 2.5hp	5	73.14 €
63401534	Impeller - 3.0hp	5	73.14 €
634055	Impeller - 4.0hp	5	86.65 €
634024BLK	Half Union 50mm with O Ring (x2)	6	11.28 €
620193	Drain Plug O Ring - BS112 (x2)	7	3.78 €
63402301	Drain Plug (x2)	8	2.96 €
63400411	Hex Set Screw - M6x35 SS316 (x8)	9	1.77 €
6340030	Washer - 1/4x9 SS316 (x10)	10	9.24 €
6340040	Hex Set Screw - M6x20 SS316 (x2)	11	1.61 €
63401830	Hex Set Screw - M8x20 SS316 (x4)	12	0.97 €
6302180	Washer - 5/16x5 SS316 (x4)	13	0.62 €
63402122	Foot Insert (alternate)*	14	11.18 €
634106	Pump Foot	15	12.05 €
634100	Pump Body	16	115.22 €
82444205	O-Ring BS011 (3HP & Below)	18	0.38 €
6340412	O Ring (for 4.0hp)	18	0.38 €
W22912	H/Hand Screw M5 x 18 Moulded (3HP & Below)	19	14.36 €
6340411	Nut M10 Overmoulded 4.0hp	19	15.62 €
634104	Suction Nozzle - 1.0hp to 2.5hp	20	4.38 €
631781	Motor Slinger - 1.0hp to 2.5hp	21	4.73 €
631782	Motor Slinger - 3.0hp, 4.0hp	21	6.29 €
72591133	Suction Nozzle O Ring - BS138 (1.0hp to 2.5hp)	23	2.71 €
63612642	PT Screw 3Gx6.5, Countersunk SS316 (x3)	24	0.47 €



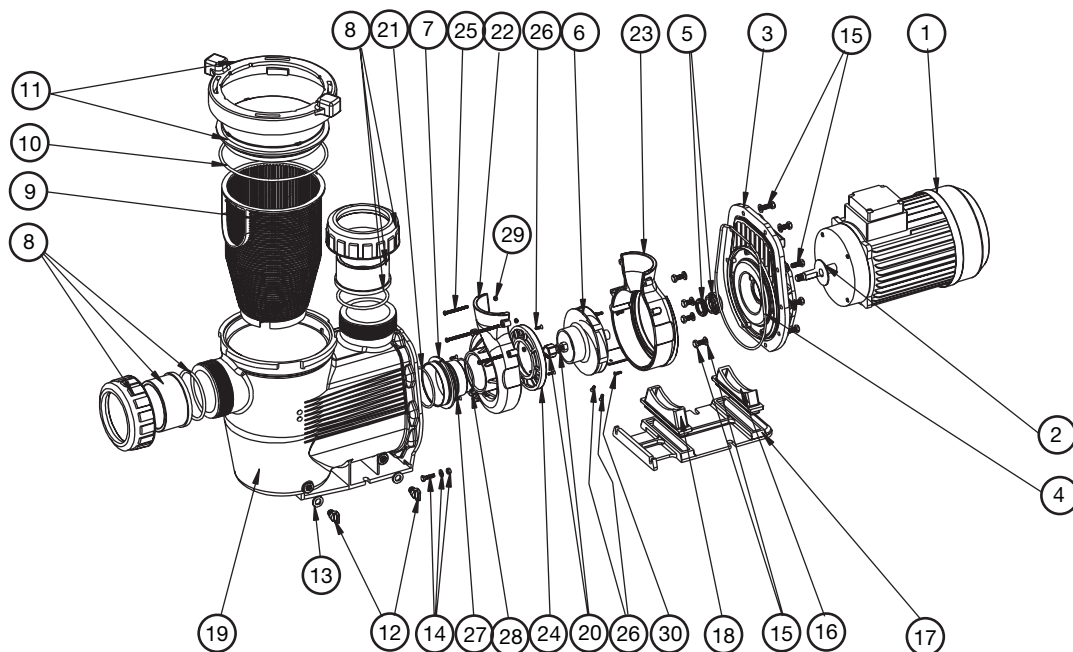
Hydrotuf

Part Number	Product Description	Diagram No.	LIST PRICE
	Motor	1	N/A
6350216	Hydrotuf Bracket	2	53.55 €
635028	Pump Body O ring	3	4.07 €
6340162	Mechanical Seal	4	65.00 €
63501625	Mechanical seal (silicone carbide s/s viton)	4	204.00 €
63501103	Impeller 100	5	81.25 €
63501403	Impeller 125	5	76.00 €
63501201	Impeller 150	5	76.00 €
6350232	Impeller 250	5	76.00 €
6350162	Impeller 300	5	76.00 €
634079	Suction Nozzle	6	20.11 €
634024BLK	2" imperial Half Union C/W O-Ring	7	11.28 €
63402400	63mm Metric Half Union C/W O-Ring	7	11.07 €
634085	H/L Pot Basket	8	26.95 €
61214	H/L Pot O ring	9	10.70 €
634082	H/L Pot Lid	10	21.13 €
61209	H/L Pot Lock Ring	11	34.53 €
63402301	Drain Plug 1/4" NPT (2 required)	12	2.96 €
620193	O-Ring BS112		3.78 €
6302180	10 x M8 Washer (4 required)		0.62 €
63401830	10 x M8 x 20 Bolt (4 required)		0.97 €
634004211	M6 Multi Pack Bolts & Washers 316 S/S 2 x 6340030 M6 Washer (8 required) 2 x 6340040 M6 x 20 Bolt (8 required) 2 x 6340060 M6 Nut (2 required)	15	20.35 €
6340223	Pump Foot	16	18.28 €
634011	Diffuser Gasket	17	7.34 €
63501915	Pump Face H/L Pot Body 50mm	18	239.13 €
635017	Diffuser	19	47.67 €
6340212	Pump Foot Insert (150, 200)	26	27.33 €
63402123	Pump Foot Insert (075, 100, 125)	26	27.33 €
634086	Lid Toolbar (suits all pumps)	n/s	11.37 €
6340113	O-Ring BS234	22	6.39 €
S1290816	Diffuser Screw (Require 4)	23	4.97 €
82444205	O-Ring BS011	24	0.38 €
W22912	L/Hand Screw Moulded	25	14.36 €



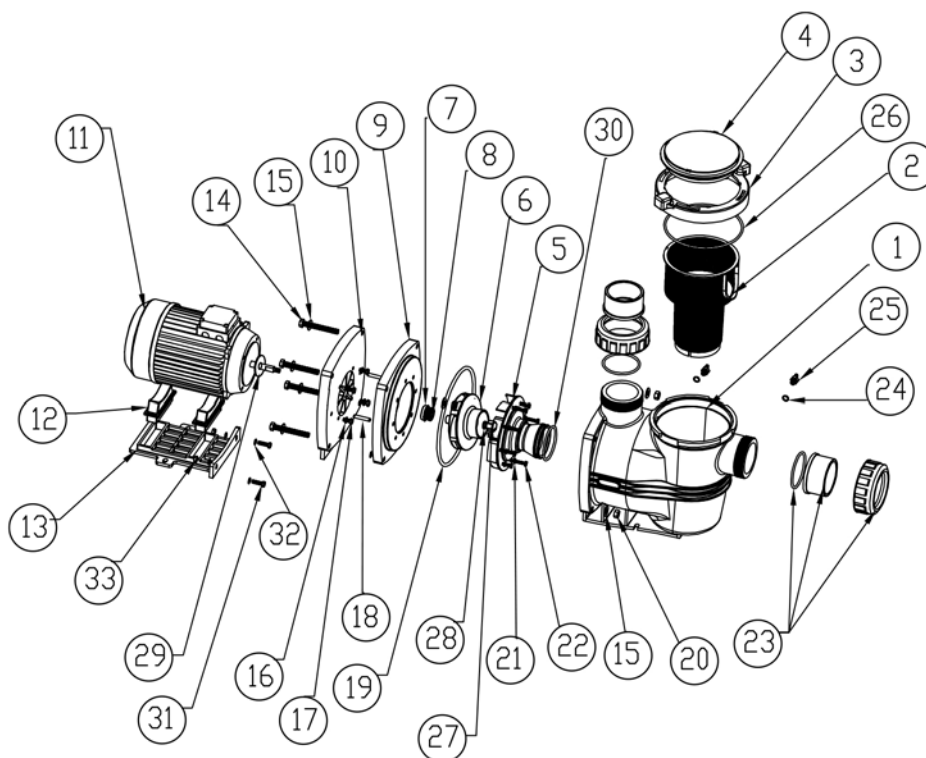
Hydrostar Commercial MK3 (Post 08/2006)

Part Number	Product Description	Diagram No.	LIST PRICE
	Motor	1 & 2	N/A
631782	Motor Slinger 52 X 16 X 2	2	6.29 €
6340682	Hydrostar Bracket	3	146.70 €
6340700	Bracket O Ring	4	21.89 €
6340162	Mechanical Seal (316 S/S)	5	65.00 €
63401625	Mechanical Seal (Silicon Carbide S/S Viton)	5	204.00 €
6340550	Impeller (Hydrostar 400 Mk2) To Suit Keyshaft	6	86.68 €
6340560	Impeller (Hydrostar 500 Mk2) To Suit Keyshaft	6	86.68 €
6340570	Impeller (Hydrostar 600 Mk2) To Suit Keyshaft	6	86.68 €
6340580	Impeller (Hydrostar 700 Mk2) To Suit Keyshaft	6	86.68 €
6340543	Hydrostar Volute Nozzle	7	9.82 €
634080BLK	3" Half Union C/W O Ring	8	44.32 €
634080EBLK	90Mm European Metric Half Union C/W O-Ring	8	33.84 €
W02249	3" Half Union O-Ring	8	10.47 €
6340630	Basket Pump Hydrostar Commercial	9	47.56 €
634075	H/L Pot Lid O-Ring	10	18.81 €
6340651	H/L Pot Quarter Turn Lid And Lock Ring	11	223.14 €
63402301	Drain Plug 1/4" Npt (2 Required)	12	2.96 €
620193	O-Ring BS112	13	3.78 €
634004211	M6 Multi Pack S/S 316 (Pack Of 2)	14	20.35 €
	2 X 6340040 (Screw M6 X 20 Hex Set SS316)		1.61 €
	2 X 6340030 (Washer Ss316 1/4" X 9/16" X 18G)		9.24 €
	2 X 6340060 (Nut M6 Hex Ss316)		4.16 €
63401830	14 X Screw Hex Set M8 X 20 S/S316		0.97 €
6302180	14 X Washer S/S 316 5/16" X 5/8" X 18G		0.62 €
634073	Pump Foot Insert (Hydrostar 400 - 600)	16/18	11.19 €
6340741	Pump Foot Insert (Hydrostar 700)	16/18	11.19 €
634072	Pump Foot (All Models)	17	62.78 €
6340514	Hydrostar Body 3" Port Mk2	19	406.09 €
6340411	Nut M10 Overmoulded (For Mk2 Motors)	20	15.62 €
6340412	O-Ring (BS113)	20	0.38 €
663393	O-Ring (BS152)	21	5.75 €
6340540	Volute Front	22	76.54 €
6340541	Volute Rear	23	68.02 €
6340542	Volute Insert (400, 500)	24	11.82 €
6340825	Screw M4 X 40Mm P/Head SS304 (4 Required)	25	1.53 €
6340828	Screw 8G X 5/8" Countersunk SS304 (5 Required)	26	1.53 €
W12276	1/2" X4g SS316 Screw	27	0.41 €
6340115	O-Ring (Bs145)	28	5.44 €
6340826	Nut M4 Nyloc Hex SS304 (4 Required)	29	1.53 €
6340827	Screw 8G X 13Mm Countersunk Ss304 (3 Required)	30	1.53 €



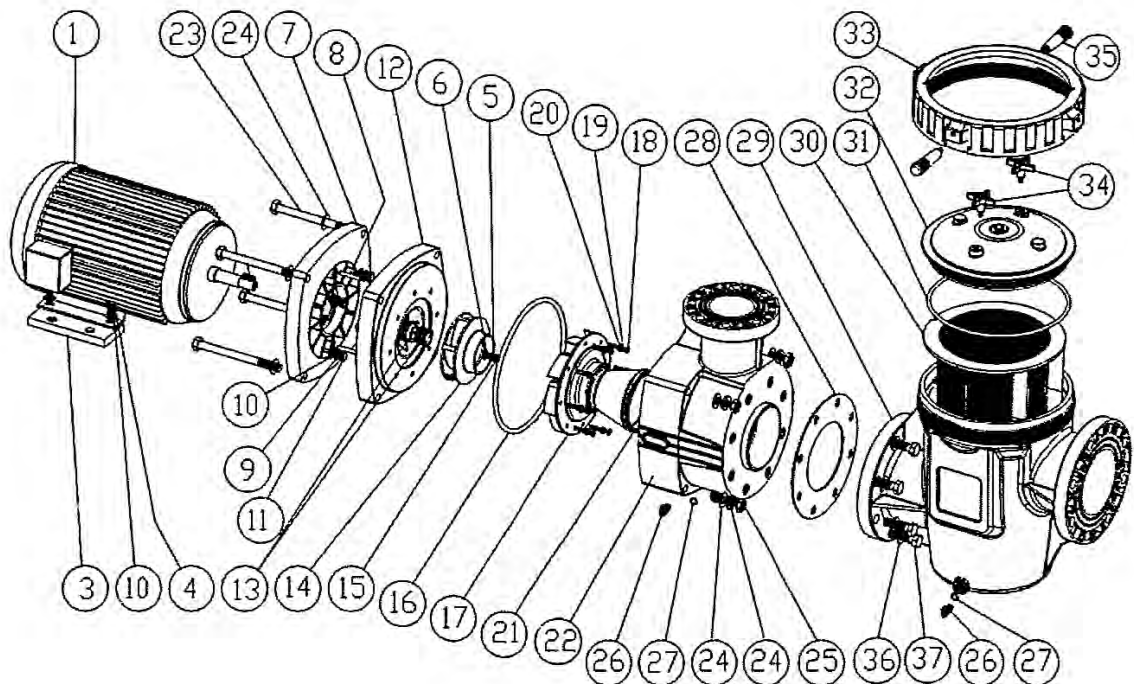
Hydrostar Commercial MK4

Part Number	Product Description	Diagram No.	LIST PRICE
6340516	Pump Housing 3"Port H/Star MK4	1	POA
6340630	Basket Pump H/Star Comm & S/Steel Pump	2	47.56 €
634065	Hydrostar Lock Ring	3	POA
634067	Hydrostar H&L Pot Lid	4	POA €
6346020	Diffuser W/Brass Ring H/Star MK4	5	POA
6340550	Hydrostar Impeller 4HP Key Way Shaft	6	86.68 €
6340570	Hydrostar Impeller 6HP	6	86.68 €
6340580	Hydrostar Impeller 7HP	6	86.68 €
634016201	Mech Seal Primary Seal Ring 6A Matte 316	7	POA
634016202	Mech Seal Mating Ring 6A Matte S/S 316	8	POA
6340162	Mechanical Seal 316SS G-0750-00-A1 7/	7/8	65.00 €
6346010	Pump Seal Plate W/In H/Star MK4	9	POA
6346000	Motor Adaptor Plate H/Star MK4	10	POA
	Motor	11	N/A
6340740	Pump Foot Insert 550-700 H/Star MK4	12	POA
6340744	Pump Foot Insert 400 H/Star MK4	12	POA
6340720	Pump Foot 400-700 H/Star MK4	13	POA
63409201	Bolt M12x100mm Hex HD SS316 Full Thread	14	POA
W32467	Washer Plain 1/2" UNC SS316	15	POA
6302180	T'Tuf Mounting Washer S/S316 5/16 x 5/8	16	0.62 €
6350545	Bolt M8 x 45mm Hex HD SS316	17	POA
6346500	Dowell Pin 8x47.5mm	18	POA
634607	O'Ring 258mm ID x 8mm	19	POA
63409391	Nut Hex STD M12 Brass NI Plated	20	POA
6340030	T'Tuf H/L Pot Foot Washer M6* S/S316	21	9.24 €
6346520	Bolt Hex HD 1/4" UNC x 1 3/4"SS316	22	POA
6340803	Half Union 80mm w/o'ring - Black	23	POA
620193	O'Ring BS112 ID12.37x2.62	24	3.78 €
63402301	Drain Plug 1/4" NPT	25	2.96 €
634075	Hydrostar Lid O'Ring G200 NBR 70SH	26	18.81 €
6340411	Nut Moulded M10 H/Star IMP	27	15.62 €
6340412	O'Ring Nut Moulded BS113 ID13.95x2.62	28	0.38 €
631782	Motor Slinger 52x16x2mmth	29	6.29 €
634608	O'Ring BS346	30	POA
63401840	Screw M8x30 SS316 Allen Key Head	31	POA
6302180	T'Tuf Mounting Washer S/S316 5/16 x 5/8	32	0.62 €
W32054	Hexagon Nut SS316 M8x1.25	33	POA



Hydrostar Plus

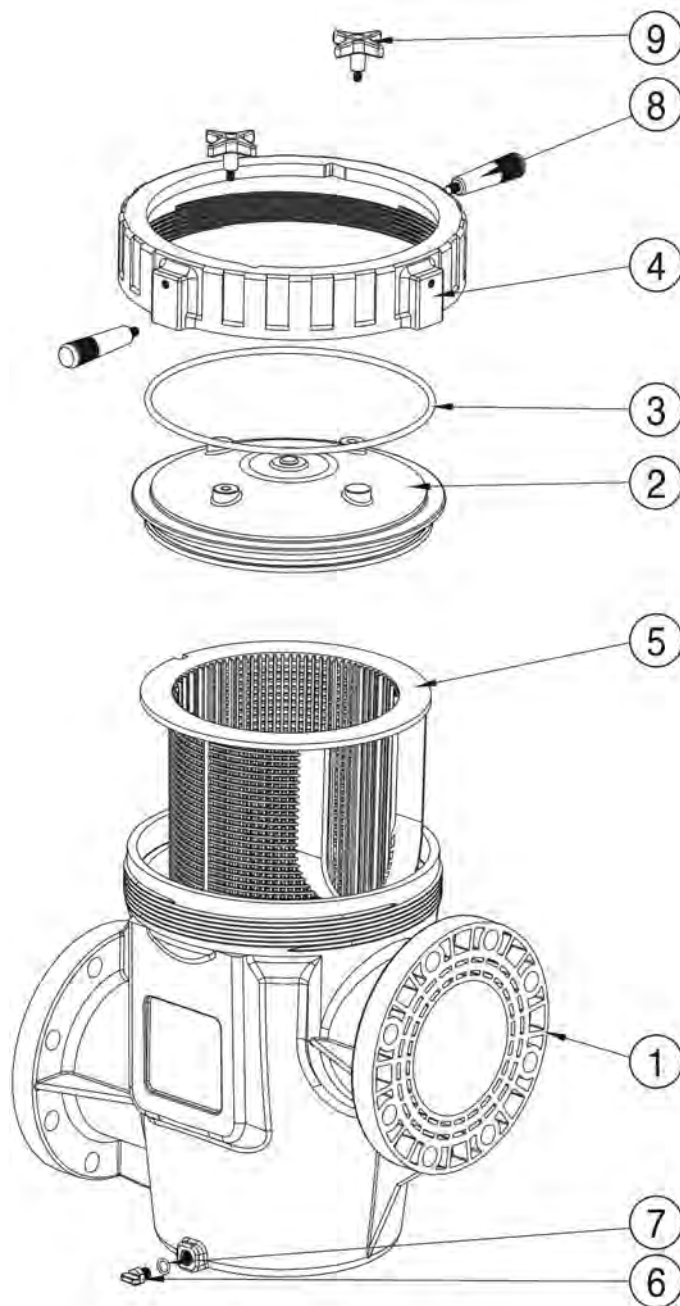
Part Number	Product Description	Diagram No.	LIST PRICE
	Motor	1	N/A
6340742	Motor Support Spacer	3	60.48 €
6340920	Bolt M12X25 Hex HD SS304	4	1.49 €
6345035	Spring Washer 3/8" S/Steel	5	0.95 €
6302181	M10 Washer SS	6	0.95 €
634600	Motor Adaptor Plate	7	56.79 €
6340650	Dowel Pin 5/16"X54mm SS316	8	3.95 €
W12769	Spring Washer 1/2" S/Steel	9	11.18 €
6340936	Plain Washer	10	2.89 €
W12768	Bolt 3/8" UNC x 1 S/Steel	11	4.03 €
634601	Pump Seal Plate w/Inserts	12	70.97 €
63401629	Mech Seal Type 2100 1" DIA	13	108.82 €
63401624	Marine Grade Mechanical Seal 1" DIA	13	239.15 €
634610	Impeller 10HP w/Insert	14	101.86 €
634611	Impeller 7.5 HP w/Insert	14	101.86 €
634651	Screw S/Head 3/8"-UNCX1"SS304	15	1.98 €
634605	O'Ring 286 ID X 9.5MM	16	17.10 €
634602	Diffuser w/Brass Ring	17	85.80 €
634652	Bolt Hex HD 1/4"-UNC X 1 3/4"SS304	18	1.82 €
645461	Salty/SS 1/4" Spring Washer	19	0.91 €
6340030	Washer	20	9.24 €
634606	O'Ring BS354	21	2.96 €
634604	Pump Housing H/Star + 10HP 4" JIS Flange	22	216.28 €
63409380	Bolt Hex 3/8"-UNC X 8" SS304	23	17.69 €
63409370	Washer 5/8"X 1 1/4"X 14G SS304	24	1.29 €
63402302	Drain Plug 1/4" BSP	26	2.96 €
620193	O'Ring BS112 Air R Vlv/Drain	27	3.78 €
63453064	Flange Gasket 6" Bore	28	31.54 €
63450580	PP Strainer Housing 6"FL Port B/Hydro	29	273.53 €
63450520	Strainer Basket Polypropylene Mk2	30	151.10 €
W32672	O'Ring Opal Lid	31	33.63 €
63450500	Strainer Lid PC Clear	32	182.05 €
620232	Filter Lock Ring 12"	33	231.83 €
W02629	Opal Cartridge Handle (AXFI168)	34	9.88 €
6202321	Handle 12" & 16" Lockring	35	52.20 €
63409370	Washer 5/8"X 1 1/4"X 14G SS304	36	1.29 €



Hydro Commercial Strainer

Product Codes: 2409058, 2409057, 2408054

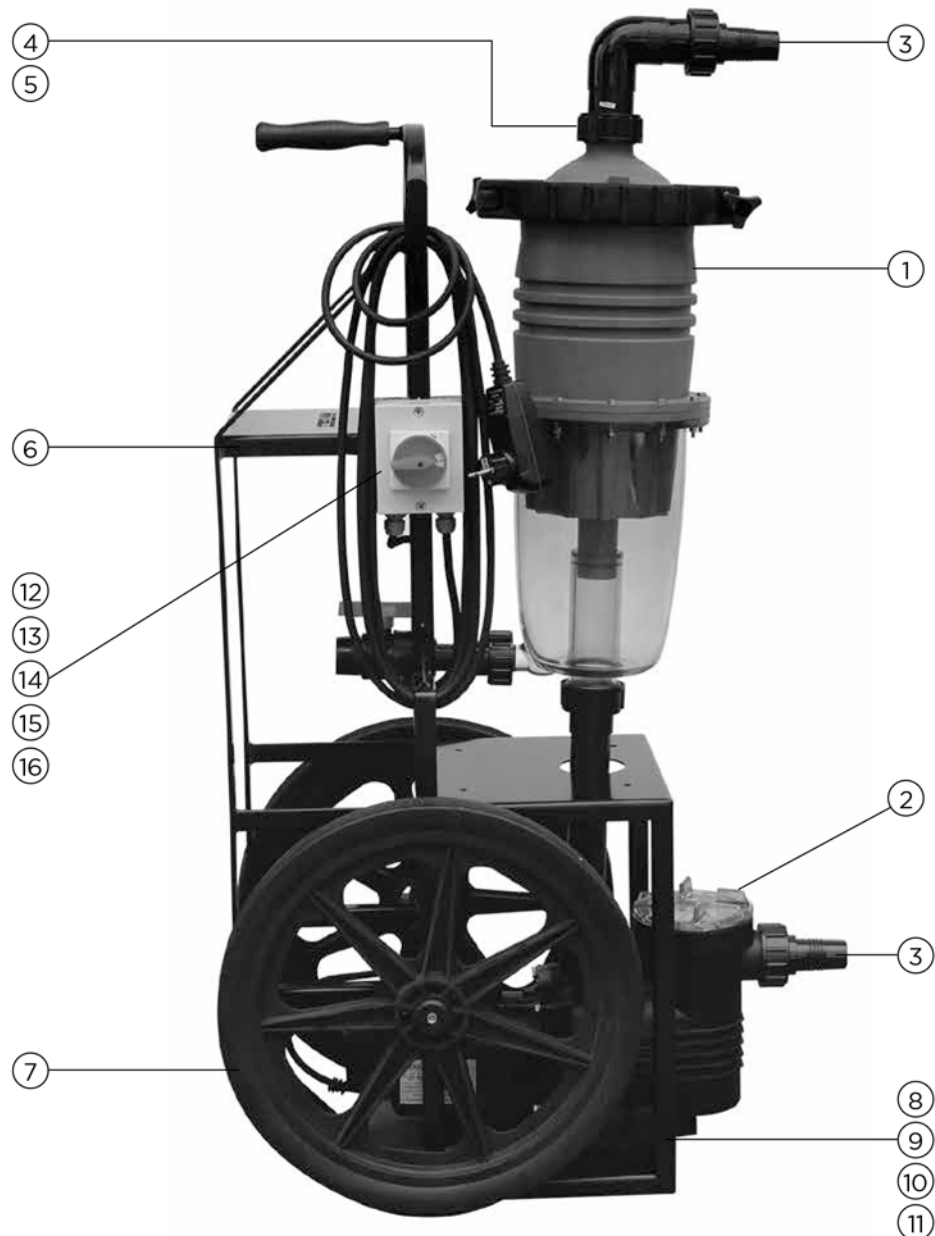
Part Number	Product Description	Diagram No.	LIST PRICE
63409031	PP Strainer Housing 4" Threaded Port SS	1	264.16 €
63409032	PP Strainer Housing 6" Flange Port SS	1	267.15 €
63450581	PP Strainer Housing 4" Flange Port B/Hydro	1	273.53 €
63450582	PP Strainer Housing 4" Threaded Port B/Hydro	1	39.91 €
63450580	PP Strainer Housing 6" Flange Port B/Hydro	1	273.53 €
63450500	Hair & Lint Pot Lid 12" PC Clear	2	182.05 €
W32672	Lid O Ring AS452A NBR 50 Shore	3	33.63 €
620232	Filter Lock Ring 12"	4	231.83 €
63450520	Strainer Basket PP	5	151.10 €
63402302	Drain Plug 1/4" BSP	6	2.96 €
620193	O Ring BS112	7	3.78 €
6202321	Handles x 2, Opal Lid/12" + 16" lock ring	8	52.20 €
W02629	CF Knob	9	9.88 €



Ultra Portable Cart

Product Codes: 200400UK, 200400EU

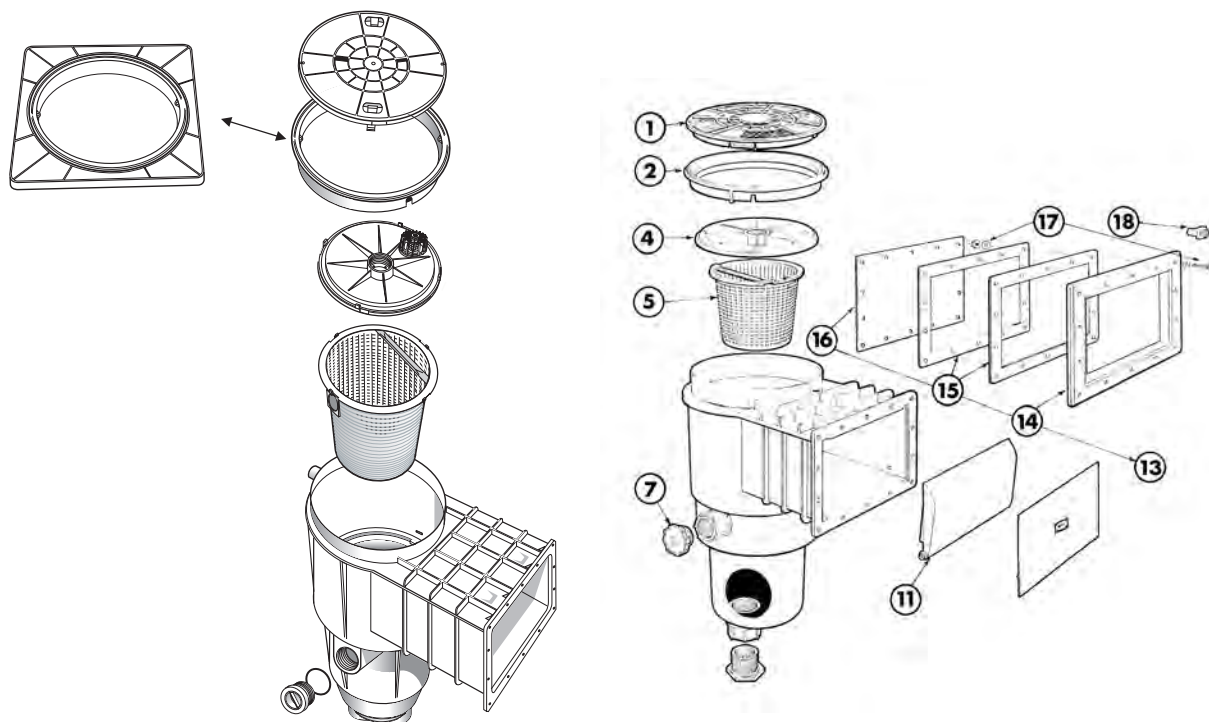
Part Number	Product Description	Diagram No.	LIST PRICE
200380	Multicyclone 12 Plus C40 Cart 50mm Metric EUM - See main pricelist	1	POA
2403050PNR-M	Supastream Pump 050 PNR Metric - see main pricelist	2	See Main Plist
122312	Hose Adaptor Barbed 1" x 1 1/2" Union	3	5.17 €
W02213	O-Ring 40mm B/U EPDM	4	5.03 €
W02208B	B/U Threaded End Slip / THRD 40mm Black	5	9.45 €
W32483	Metal Trolley Rack	6	2,093.00 €
W32487	Hollow Tread Wheel with PP Spoked Rim 20" x 13/4"	7	276.90 €
6340040	Bolt M6 x 20 SS316 For Pump Foot Mounting	8	1.61 €
W32478	Washer M6 SS304 For Pump Foot Mounting	9	0.62 €
W32479	Nut Hex M6 SS316 For Pump Foot Mounting	10	0.25 €
6340040	Washer M6 SS316 For Pump Foot Mounting	11	1.61 €
W32480	Screw M4 x 40 Allen Cap SS316 For Isolator Mounting	12	0.72 €
6340826	Nut M4 Nyloc Hexagonal SS304 For Isolator Mounting	13	1.53 €
W32482	Washer M4 SS316 For Isolator Mounting	14	0.06 €
S13314A	Wire Loom 1.5 x 300 Green For Grounding	15	1.74 €
W32484	Isolator 32A 230V - 440V & RCD Plug & Cable Assembly Suit UK Plug	16	441.24 €



Waterco Supaskimmer

Part	Product Description	Diagram No.	LIST
62411S	Deck lid Sandstone colour	1	60.93 €
624171S	Deck lid MK2 (Suit T/lock type) Sandstone	1	74.48 €
6241119S	Commercial deck lid assembly T/lock Sandstone GFABS - See main pricelist	1+2	POA
6241019S	Commercial dress ring T/lock Sandstone GFABS - See main pricelist	1+2	POA
62410S	Dress ring Sandstone colour - See main pricelist	2	POA
624181S	Square dress ring T/lock Sandstone	2	65.00 €
624191S	Round dress ring T/lock Sandstone	2	69.55 €
624105	Dress Ring Extension - 60mm		POA
624024	Supa skimmer leaf basket	5	39.94 €
62408	Supa skimmer vacuum plate / Skimtrol Assy	4	57.12 €
62469	Vacuum plate o ring BS 272		12.58 €
62407	Weir door assembly	11	39.94 €
62412	Weir door clip		4.25 €
62404	Plug 1/2"	7	22.40 €
29260	Escutcheon Assembly Kit	13	44.59 €
292631	Face plate standard	14	31.27 €
829111	Gasket set (2)	15	16.72 €
62444	Stainless steel screw each	17	1.17 €
62439	Escutcheon Clip	18	5.95 €
62426	Widemouth Escutcheon Kit		111.86 €
62438	Nutserts (Each)		1.80 €
W22579	Skimmer deck lid latch s/stone post Oct 2012		1.20 €
W22580	Skimmer deck lid slider s/stone post Oct 2012		1.20 €
SKIMTROL - CONTROL VACUUM PLATE			
W02266	Valve Spring		13.24 €
32731	Valve Stem		16.85 €
32732	Valve Strainer		8.52 €

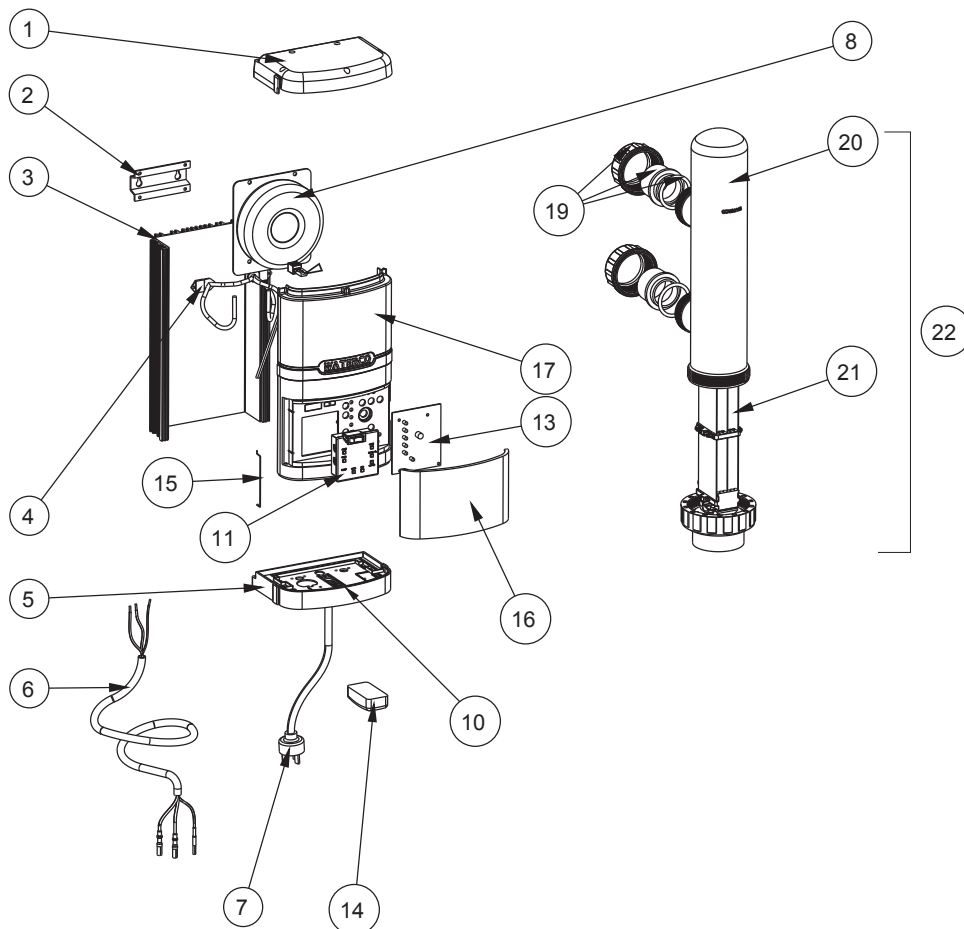
Post Oct 2012 additional interlocking mechanism is added



Hydrochlor

Product Code: 6450131

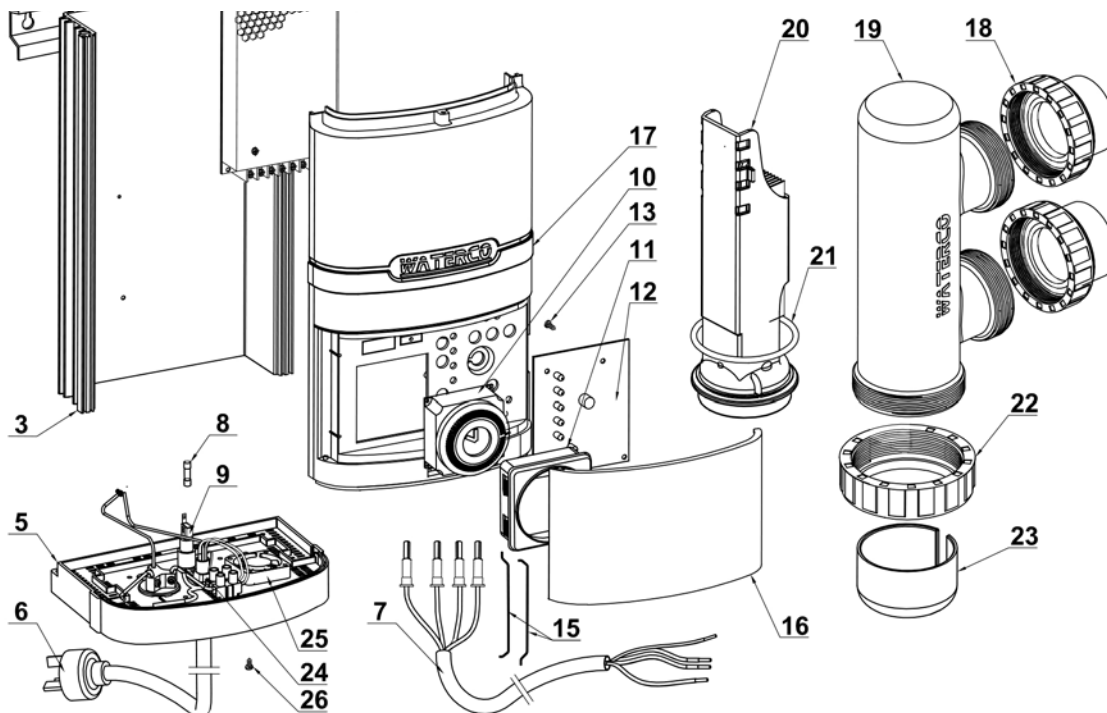
Part Number	Product Description	Diagram No.	LIST PRICE
6440232	Hydrochlor P/PAK Top	1	45.06 €
6440713	Mounting Bracket	2	21.71 €
6440710	Heatsink Power Pack	3	65.68 €
W24570	SCR Assembly 20A SC - 30A SC	4	217.49 €
644024	Chlorinator P/P Bottom Housing	5	40.94 €
64134	Mains Lead 10A 240V	7	20.55 €
644915	Cell Lead Assembly	6	65.68 €
641162	Toroidal Transformer 250VA 240V/8.5V	8	273.20 €
641160	Toroidal Transformer 400VA 240V/8V	8	359.01 €
641326	Fuse Slow Blow 4A 5 x 20mm	10	2.92 €
6440813	24 Hour Timer Hydrochlor	11	308.83 €
6450756	PC Board SC Hydrochlor	13	459.00 €
64128	Junction Box (suits all)	14	52.02 €
6440250	Spring Housing Window Top	15	1.30 €
6440251	Spring Housing Window Bottom	15	1.30 €
644025	Chlorinator P/P Housing Window	16	7.40 €
6440222	Hydrochlor P/Pk Front	17	95.61 €
634024BLK	Half Union Black 50mm c/w O'Ring	19	11.28 €
644509	Cell Housing 20A, 25A & 30A	20	83.45 €
64428614	Cell Plates Ass'y Hydrochlor 20A SC (nut not included)	21	531.44 €
64428615	Cell Plates Ass'y Hydrochlor 25A SC (nut not included)	21	684.21 €
64428616	Cell Plates Ass'y Hydrochlor 30A SC (nut not included)	21	843.71 €
6449620	Cell & Housing Ass'y Hydrochlor 20A SC	22	644.64 €
6449625	Cell & Housing Ass'y Hydrochlor 25A SC	22	757.17 €
6449630	Cell & Housing Ass'y Hydrochlor 30A SC	22	941.75 €
6450020	Hydrochlor 20A SC Power Pack	23	1,348.96 €
6450026	Hydrochlor 25A SC Power Pack	23	1,348.96 €
6450030	Hydrochlor 30A SC Power Pack	23	1,360.39 €
6450821	Current Sensing Harness		45.59 €
641360	Fuse Holder 20x5mm		28.48 €



Hydrochlor MKIII

Product Codes: 25140120, 25140125, 2540130

Part Number	Product Description	Diagram No.	LIST PRICE
6440232	Hydrochlor P/PAK Top	1	45.06 €
6440713	Mounting Bracket	2	21.71 €
6440710	Heatsink Power Pack	3	65.68 €
641181	SM Power Supply LRS 15-24	4	POA
644024	Chlorinator P/P Bottom Housing	5	40.94
64134	Mains Lead 10A 240V	6	20.55
644917	Lead Ass'y SMP Chlorinator	7	POA
641321	Fuse 3.15A Slow 20mm	8	POA
641360	Fuse Holder 20 x 5 mm	9	28.48 €
6440720	Time Switch Module 24H W/Battery Backup	10	POA
6440723	Timer w/o Battery Back-up	10	POA
644073	Bracket For Timer	11	POA
641187	PCB SMP Chlorinator Control	12	POA
S1120815	Screw 4Gx3/8" Phead SS 13	13	POA
6440251	Spring Housing Window Bottom	15	1.30 €
6440250	Spring Housing Window Top	15	1.30 €
644025	Chloe P/P Housing Window	16	7.40 €
6440222	Hydrochlor P/Pack Front	17	95.61 €
634024B	Half Union 50mm W/O'Ring (2 required) - Black	18	POA
644509	Cell Housing 20A, 25A & 30A	19	83.45 €
85529	O'ring 85x5	21	POA
63406551BLK	H/U Lock Nut 65mm Black	22	POA
644513	Chlorinator Series Cell Term Cap	23	POA
S123811	Cord Grip Heyco 1214	24	POA
644086	Fan 12v DC RS4010S12H	25	POA
72511884	Screw 6Gx1/2" Pan PH HD ST	26	POA
6450821	Harness Set Ass'y SMP H/Chl		45.59 €
64428720	Cell Plates Assy 2000 Standard		POA
64428725	Cell Plates Assy 2500 Standard		POA
64428730	Cell Plates Assy 3000 Standard		POA
64428820	Cell Plates Assy 2000 Premium		POA
64428825	Cell Plates Assy 2500 Premium		POA
64428830	Cell Plates Assy 3000 Premium		POA



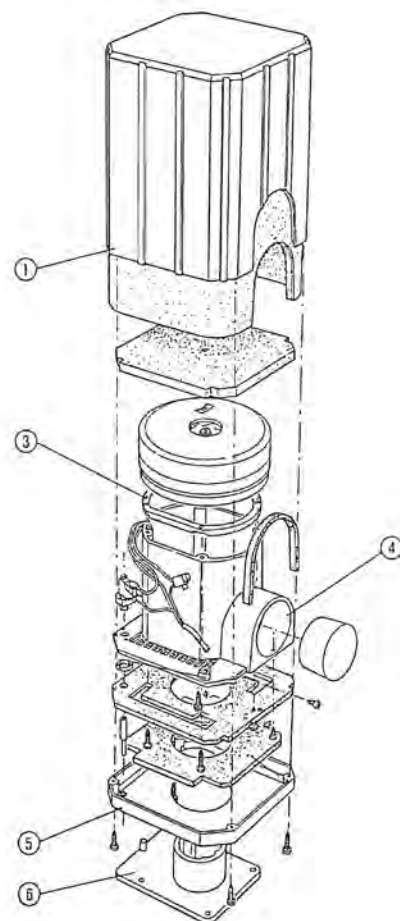
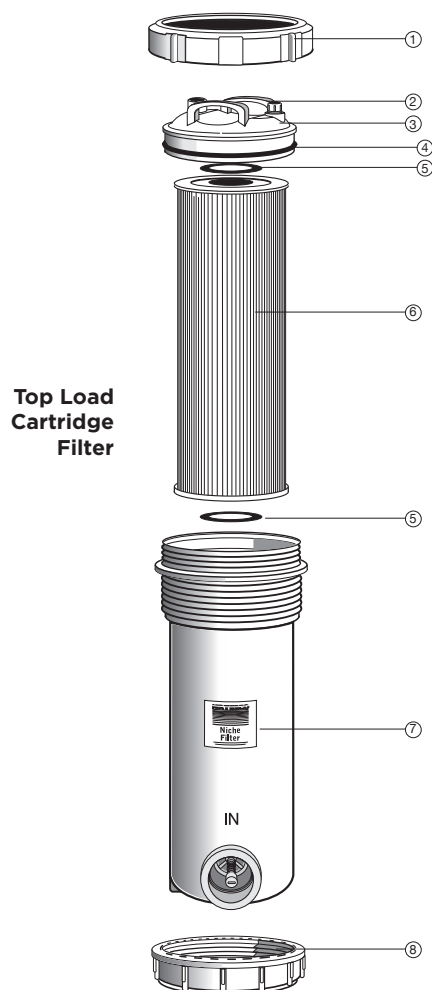
Top Load Cartridge Filter

Part Number	Product Description	Diagram No.	LIST PRICE
61209	Lid lock ring	1	34.53 €
61206	Air release valve	2	5.73 €
61207	Air release o ring	n/s	2.87 €
61205	Lid	3	26.41 €
61208	Lid o ring	4	10.70 €
61213	Spacer ring	5	4.31 €
62010	50sq ft cartridge	6	128.65 €
62009	75sq ft cartridge	6	176.06 €
61210	Top load filter tank 50	7	86.13 €
61211	Top load filter tank 75	7	118.42 €
61212	Body lock ring	8	22.98 €
61200	Bi-pass valve	n/s	20.67 €

Whisper Air / Airflo Blowers

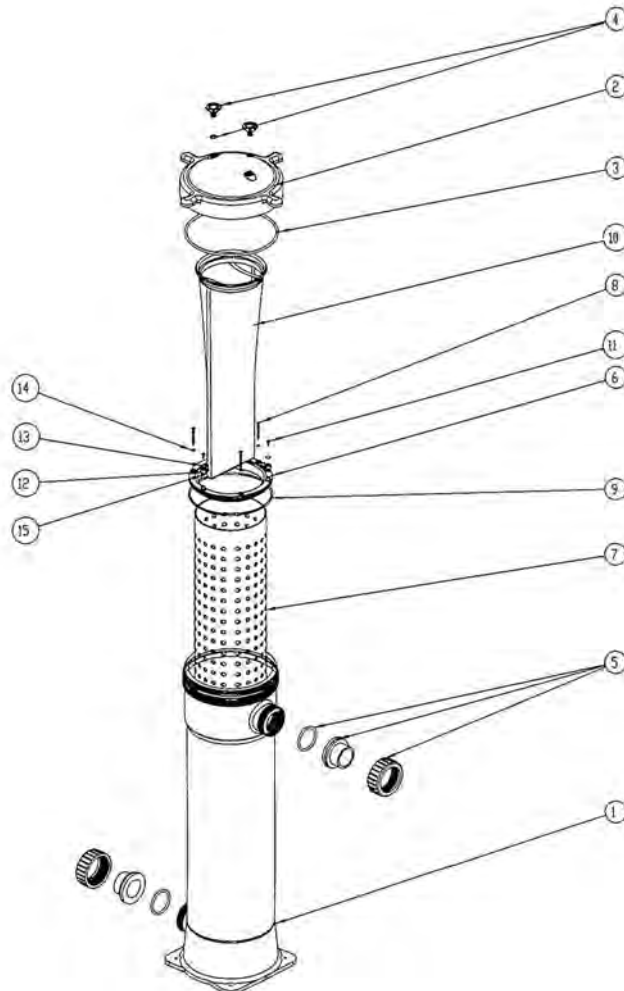
Product Code: 282410

Part Number	Product Description	Diagram No.	LIST PRICE
S130501	Blower outer housing	1	65.02 €
S130551	Blower motor mounting gasket	2	9.24 €
S130581	Internal motor mount	3	46.69 €
S130531	Blower bottom cowl	4	32.70 €
S130511	Blower base (stand)	5	23.01 €
S13785	Blower motor brushes (each)	6	74.83 €
S12811	Air Switch Latch	7	113.10 €
82443911	Fair-Rite Suppression Core		13.96 €
82443905	EMI Filter		58.68 €



Commandomatic Trimline Filters

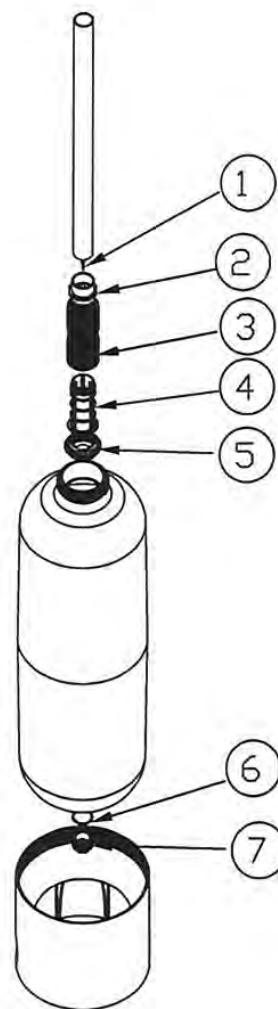
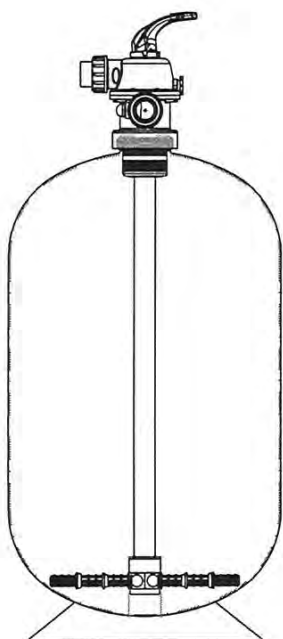
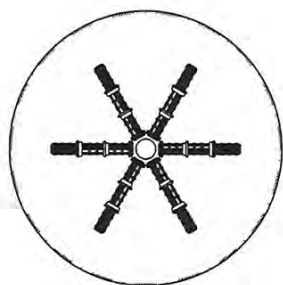
Part Number	Product Description	Diagram No.	LIST PRICE
COMMANDOMATIC BAG FILTER (TBF)			
3651931	1 micron filter bag - C50	10	See Main P.102
36519310	1 micron filter bag - C75	10	See Main P.102
3651924	5 micron filter bag - C50	10	See Main P.102
36519240	5 micron filter bag - C75	10	See Main P.102
3651925	25 micron filter bag - C50	10	See Main P.102
36519250	25 micron filter bag - C75	10	See Main P.102
3651926	50 micron filter bag - C50	10	See Main P.102
36519260	50 micron filter bag - C75	10	See Main P.102
36519265	800 micron filter bag - C50	10	See Main P.102
36519266	800 micron filter bag - C75	10	See Main P.102
62044180	Trimline Bag Filter C75 Tank Drilled	1	568.34 €
6204417	Trimline Bag Housing Lid	2	181.12 €
620262	O Ring G220	3	15.38 €
620261	O Ring G220 - Viton	3	33.47 €
620221	Air release valve (x1)	4	6.56 €
6201931	Air release valve - Viton (O Ring)	4	8.64 €
122256BLK	Half Union Trimline 2"/50mm Black (2 required)	5	10.18 €
122257BLK	Half Union Trimline 2"/1.5" Black (2 required)	5	12.10 €
W02647BLK	Lock nut 2" (2 required)	5	4.30 €
6340246BLK	Tail end 2" x 50mm (2 required)	5	3.56 €
W02648BLK	Tail end 2" x 1.5" (2 required)	5	4.60 €
W02280	O Ring BS332 Half Union 2"	5	3.87 €
3651947	Cage Ring	6	131.44 €
3651946	T/L Bottle with drill Hole - C50	7	117.36 €
36519460	T/L Bottle with drill Hole -C75	7	225.13 €
620292	Screw - CSK 10g x 50 SLD TPPNG	8	1.54 €
620293	O Ring 205 x 4	9	13.25 €
6340087	Screw - CSK 8g x 13 SLD TPPNG	11	0.59 €
620291	latch	12	3.72 €
620294	washer	13	1.72 €
82444204	o ring BS 011	14	2.54 €
82444205	o ring BS 010	15	0.38 €



W & WD Series Deep Bed Filter

Part	Product Description	Diagram No.	LIST PRICE
W02026BLK	Drain Plug 15mm Assembly		23.02 €
W02936	Pressure Gauge 110mm - 6 Bar		45.27 €
855172	Adaptor A15 Clack Valve (Auto Valve)		21.53 €
62093021	40mm End Plug	7	1.87 €
823319	DE Screw Elbow O-Ring 40mm	6	4.56 €
W22279	Locater + Bayonet Assembly	5	5.01 €
6209222	Lateral Diverter MK2	4	2.53 €
6209211	Lateral W300	3	4.39 €
6209252	Lateral Socket MK2	2	3.43 €
W22208	Screw G8 x 1" Stainless Steel 316 P/Head	1	0.61 €

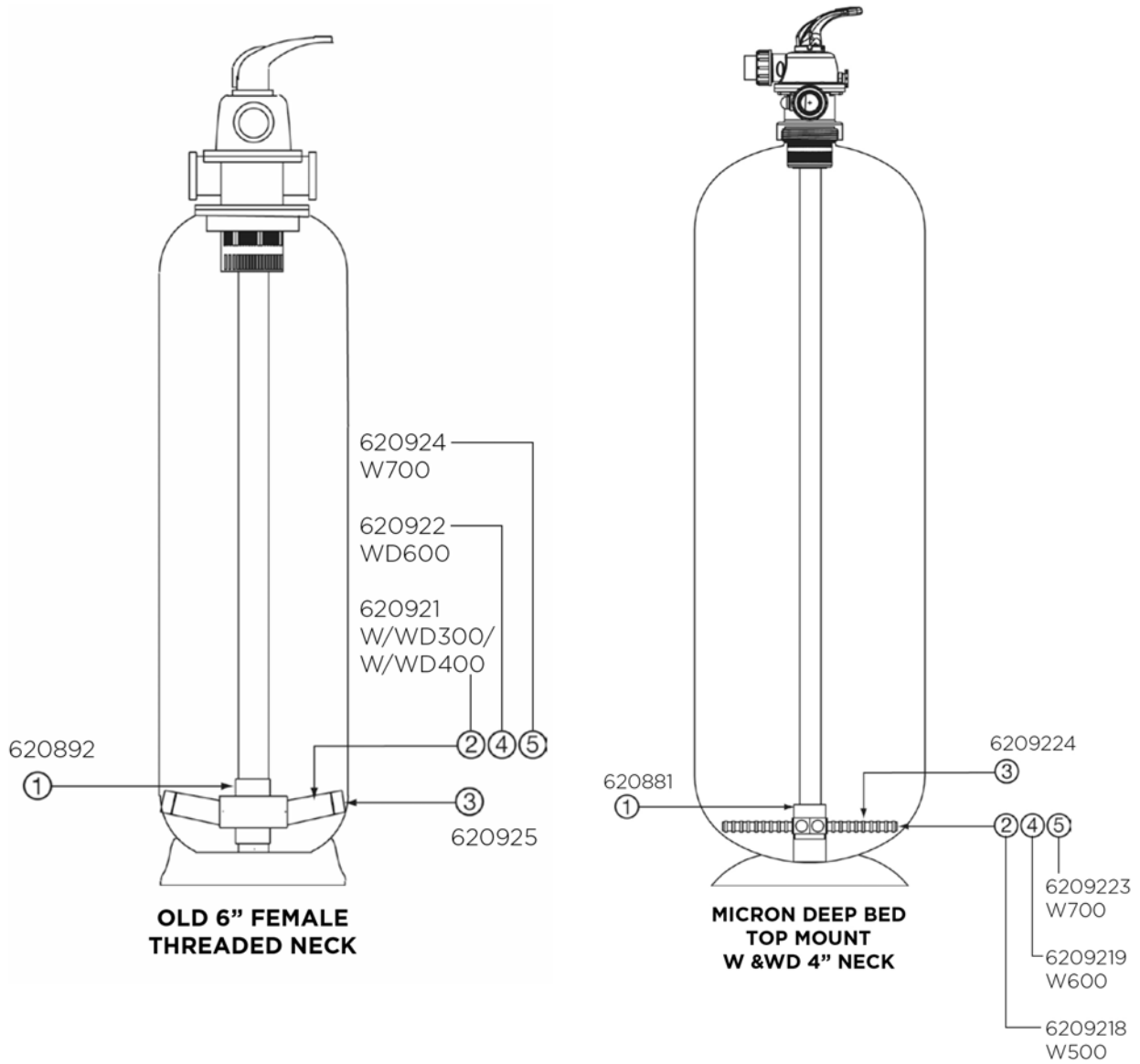
W & WD Series Deep Bed Filter



Model W250 & W300

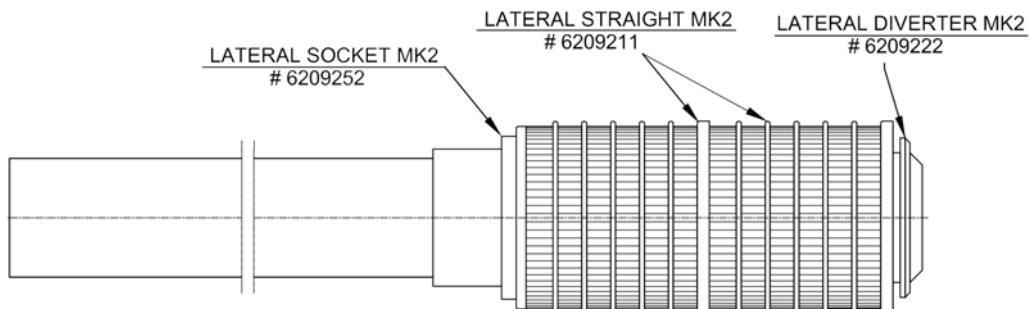
Part No:	Hexagonal Manifold	W02986	W02984	W02985	W02991
		LATERALS			
Model		40mm	60mm	120mm	120mm
W400/WD400	1	-	-	6	-
W500/WD500	1	6	-	-	6
W600/WD600	1	-	6	-	6
W700/WD700	1	-	-	6	6

W & WD Series Deep Bed Filter (Continued)



Underdrain Assembly

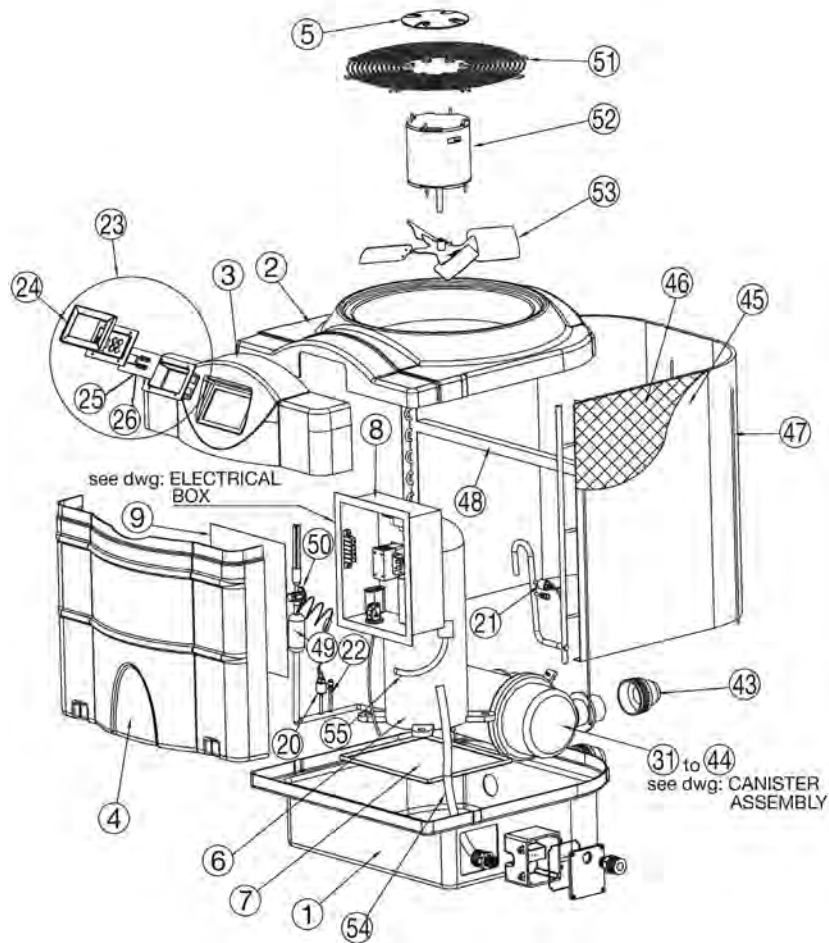
Part Number	Product Description	LIST PRICE
6209263	WD350 under drain assembly MK2	POA
6209262	WD300 under drain assembly MK2	POA
6209261	W350 under drain assembly MK2	POA
6209260	W250/W300 MK2 under drain assembly MK2	POA



Electroheat Plus MKII Models 85,105,125 150 Three Phase

Part Number	Product Description	Diagram No.	LIST PRICE
20-1524	Cabinet Ventilation Cap	5	31.36 €
10-1038	Compressor Scroll 5HP R407C (85)	6	1,786.87 €
10-1014	Compressor Scroll 6HP R407C (105)	6	2,307.83 €
10-1040	Compressor Scroll 7HP R407C (125)		POA
10-1047	Compressor Scroll 8HP R407C (150)	6	POA
ELECTRICAL BOX			
50-1103	5mf - 370 VAC	10	20.07 €
40-1006	Water Pressue Switch	11	52.64 €
80-1512	Retaining Ring Pressure Switch	11	2.05 €
50-1009	Contactora	12	189.03 €
40-0001	Transformer	13	63.51 €
40-0002	Fan Relay 24V	14	25.00 €
40-1017	Phase Monitor	15	333.78 €
20-1303	Clear Rubber Hose - 1m Length	16	3.13 €
SWITCH			
40-1002FV	425 - 325 PSI Flare R407C	20	58.14 €
40-1003V	25 - 50 PSI Flare R407C	21	58.14 €
10-1319	Acces Valve Schrader	22	6.76 €
CONTROLLER			
40-2000	EH Control Assy - All Models (40-1032)	23	318.47 €
20-1527	Escutcheon White	24	POA
40-1030	Defrost Sensor Probe - Yellow	25	22.82 €
40-1031	Water Temperature Sensor Probe - Black	26	34.68 €
HEAT EXCHANGER			
10-1236M	56' Large Align W/Dcoil 19/23kW	34	1,125.63 €
10-1225	16' Small Opposite - In (Right) (105)	35	530.80 €
10-1226	16' Small Opposite - Out (Left) (105)	36	550.82 €
10-1227	20' Small Opposite - In (Right) (125)	37	749.47 €
10-1228	20' Small Opposite - Out (Left) (125)	38	749.47 €
10-1231	24' Large Opposite - In (Right) (150)	39	841.53 €
10-1232	24' Large Opposite - Out (Left) (150)	40	989.40 €
122243B	40mm Half Union c/w O Ring Black	43	7.31 €
05-1359	Connecting Tube	44	POA
FILTER DRYER			
10-1345	1/2" X 1 5/8" OD (85) (30-1106P)	49	66.57 €
10-1339	1/2" ODF 5 Tons (105, 125 & 150)	49	53.54 €
EXPANSION VALVE			
10-1359	Expansion Valve 4 Tons R407C	50	259.33 €
10-1372	Expansion Valve 5 Tons R407C (85)	50	291.55 €
10-1365	Expansion Valve 6 Tons R407C (105)	50	291.55 €
FAN GUARD			
60-1103	Round Medium (85)	51	95.39 €
60-1104	Round Large (105, 125 & 150)	51	108.47 €
FAN MOTOR			
30-1006	1/6 hp 900/1075 RPM (85)	52	331.26 €
30-1004	1/4 hp 900 RPM (105, 125 & 150)	52	465.98 €
FAN BLADES			
30-1106	Fan Blades 20" (85) (30-1106P)	55	98.53 €
30-1107	Fan Blades 22" (105, 125 & 150)	55	101.37 €
CANISTER			
20-1359	Plastic Clamp Band (one piece)	64	50.69 €
80-1504	Rubber O Ring	65	13.33 €
20-1300	Cable Gland 3/4 NPT	66	22.12 €
20-1306	Hose Nipple	67	1.94 €
20-1357	Hose Nipple O Ring	67	1.27 €
20-1319	Thermostat Well 67.5 mm	68	1.35 €
20-1320	Thermostat Well O Ring		1.35 €
50-1205	Light Indicator (85)	N/S	22.43 €

Electroheat Plus MKII Models 85,105,125 150 Three Phase

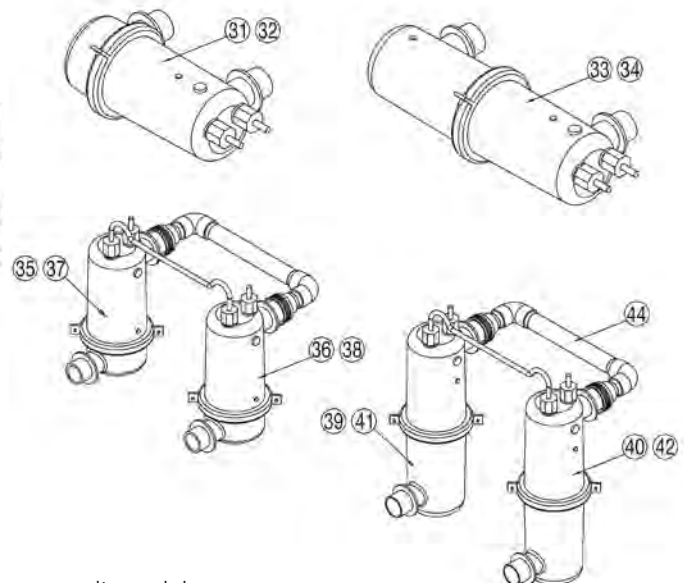
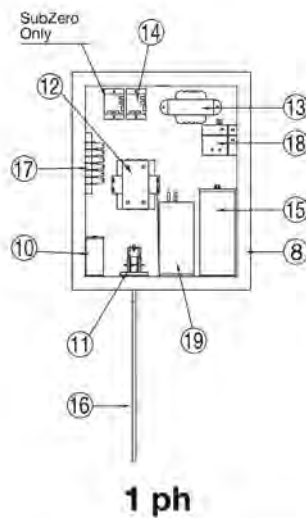
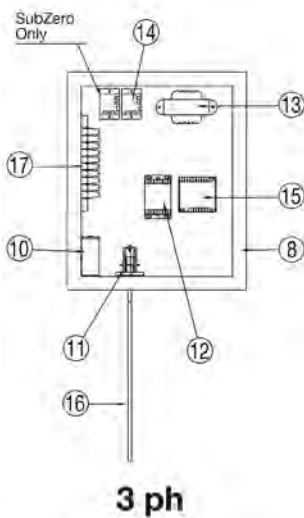


Electrical Box

(all models)

Canister Assembly

(all models)

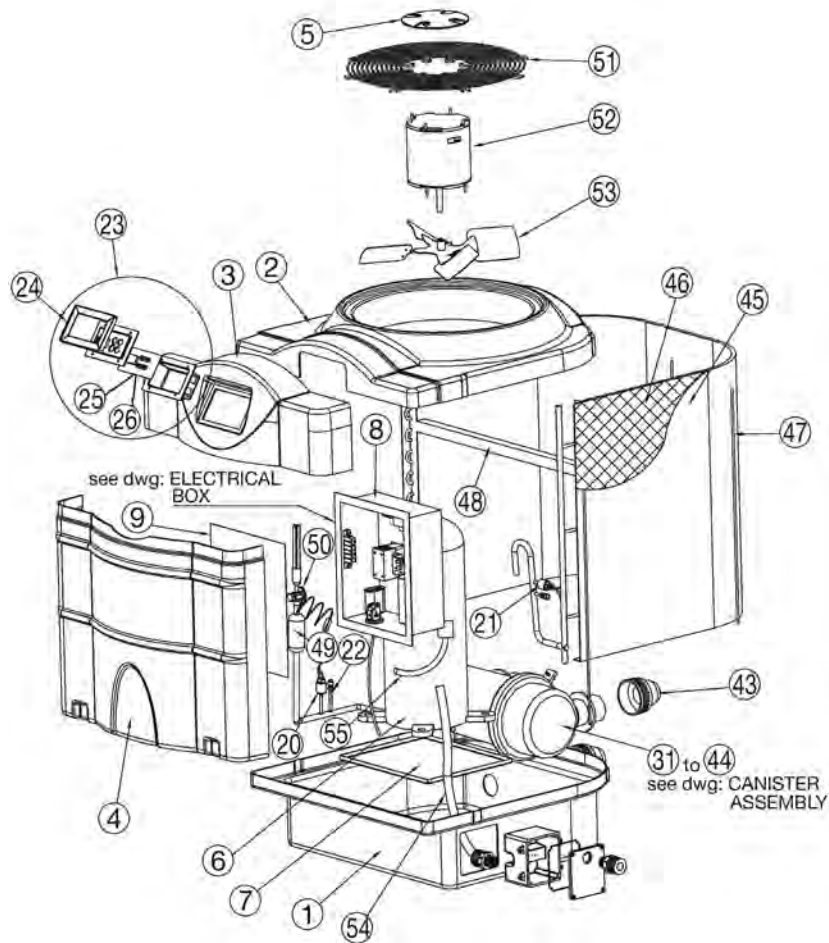


The images are for illustration only and may differ slightly to your unit model.

Electroheat Plus MKIII Models 25kW, 31kW, 37kW & 44kW Three Phase

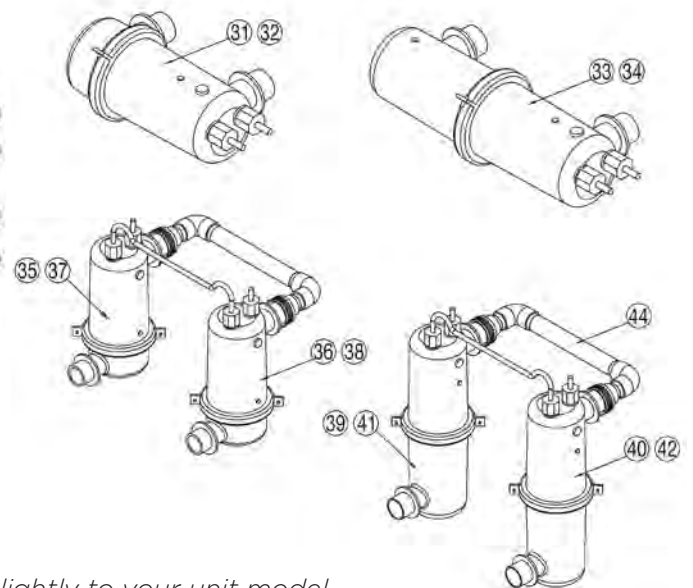
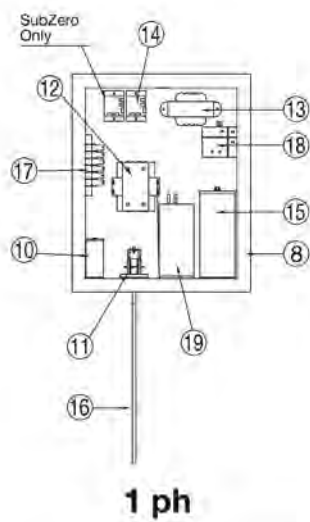
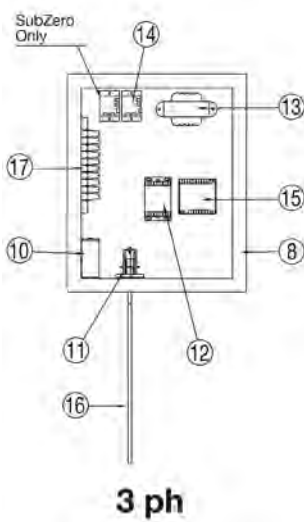
Part Number	Product Description	Diagram No.	LIST PRICE
20-1524	Cabinet Ventilation Cap	5	31.36 €
10-1065	Compressor Scroll 6hp R410A (25KW)	6	1,653.70 €
10-1070	Compressor Scroll 7hp R410A (31KW)	6	1,786.88 €
10-1071SA	Compressor Scroll 8hp R410A (37KW)	6	3,810.41 €
10-1072SA	Compressor Scroll 10hp R410A (44KW)	6	4,021.75 €
ELECTRICAL BOX			
50-1103	Capacitor 5MFD 370 VAC E/H80 - 150BTU	10	20.07 €
40-1006	Pressure switch	11	52.64 €
80-1512	Flat Washer	11	2.05 €
50-1009	Contactora (40A 24V 3-POLE)	12	189.03 €
40-0001	Transformer	13	63.51 €
40-0002	Relay 24V	14	25.00 €
40-1017	Phase Monitor	15	333.78 €
20-1303	Clear Rubber Hose	16	3.13 €
SWITCH			
40-1041	565 - 400 PSI Flare R410A	20	81.22 €
40-1033V	55 - 75 PSI Flare R410A	21	85.68 €
10-1311	Acces Vavle Schrader 5/16"	22	16.24 €
CONTROLLER			
40-2000	EH Control Assy - All Models (40-1032)		318.47 €
20-1527	Escutcheon White	24	POA
40-1030	Defrost Sensor Probe - Yellow	25	22.82 €
40-1031	Water Temperature Sensor Probe - Black	26	34.68 €
HEAT EXCHANGER			
10-1236M	56' Large Align W/Dcoil 19/23kW	34	1,125.63 €
10-1227	20' Small Opposite - In (Right) (31KW, 37KW)	37	749.47 €
10-1228	20' Small Opposite - Out (Left) (31KW, 37KW)	38	749.47 €
10-1233	28' Large Opposite - In (Right) (44KW)	41	841.53 €
10-1234	28' Large Opposite - Out (Left) (44KW)	42	940.97 €
122243B	40mm Half Union c/w O Ring Black	43	7.31 €
05-1359	Connecting Tube (31KW, 37KW & 44KW)	44	POA
FILTER DRYER			
10-1345	1/2" X 1 5/8" OD (25KW)	49	66.57 €
10-1339	1/2" ODF 5 Tons (31KW, 37KW & 44KW)	49	53.54 €
EXPANSION VALVE			
10-1377	Expansion Valve 5 Tons R410A (25KW)	50	611.98 €
10-1378	Expansion Valve 6 Tons R410A (31KW)	50	611.97 €
10-1379	Expansion Valve 8 Tons R410A (37KW)	50	654.66 €
10-1380	Expansion Valve 9 Tons R410A (44KW)	50	654.66 €
FAN GUARD			
60-1103	Round Medium (25KW)	51	95.39 €
60-1104	Round Large (31KW, 37KW & 44KW)	51	108.47 €
FAN MOTOR			
30-1006	1/6 hp 900/1075 RPM (25KW)	52	331.26 €
30-1004	1/4 hp 900 RPM (31KW, 37KW & 44KW)	52	465.98 €
FAN BLADES			
30-1106	Fan Blades 20" (16, 25KW) (30-1106P)	55	98.53 €
30-1107	Fan Blades 22" (31KW, 37KW & 44KW)	55	101.37 €
CANISTER			
20-1359	Plastic Clamp Band (one piece)	64	50.69 €
80-1504	Rubber O Ring	65	13.33 €
20-1300	Cable Gland 3/4 NPT	66	22.12 €
20-1306	Hose Nipple	67	1.94 €
20-1357	Hose Nipple O Ring	67	1.27 €
20-1319	Thermostat Well 67.5 mm	68	1.35 €
20-1320	Thermostat Well O Ring	68	1.35 €
50-1205	Light Indicator	N/S	22.43 €

Electroheat Plus MKIII Models 25kW, 31kW, 37kW & 44kW Three Phase



Electrical Box (all models)

Canister Assembly (all models)

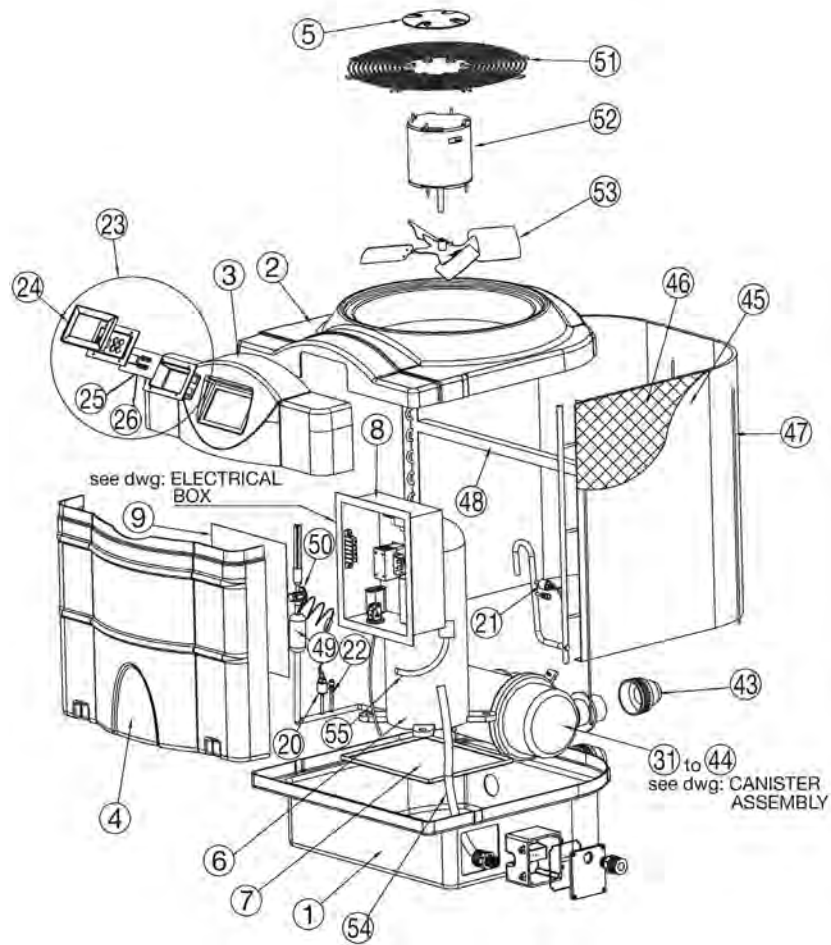


The images are for illustration only and may differ slightly to your unit model.

Electroheat Titanium MKIII Models 16kW & 23kW Single Phase

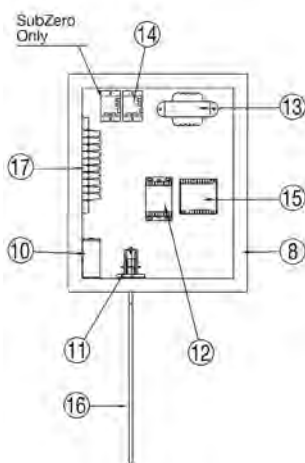
Part Number	Product Description	Diagram No.	LIST PRICE
20-1524	Cabinet Ventilation Cap	5	31.36 €
10-008DS	Compressor Scroll 4hp R407C (16KW)	6	1,836.06 €
10-1078CS	Compressor Scroll 4hp R410A (16KW)	6	2,497.75 €
10-1075DS	Compressor Scroll 5hp R410A (23KW)	6	1,814.38 €
10-1076DS	Compressor Scroll 6hp R410A (25KW)	6	5,641.24 €
ELECTRICAL BOX			
50-1103	5mf - 370 VAC	10	20.07 €
40-1006	Water Pressure Switch	11	52.64 €
80-1512	Retaining Ring Pressure Switch	11	2.05 €
50-1008	Contactora (40A 24V 2-POLE)	12	81.62 €
40-0001	Transformer	13	63.51 €
40-0002	Fan Relay 24V	14	25.00 €
50-1110	70 mf - 440 VAC (16KW)	15	60.67 €
50-1127	80 mf - 440 VAC (16KW)	15	129.03 €
50-1106	55 mf - 440 VAC (23KW)	15	58.56 €
20-1303	Tube PVC 30"	16	3.13 €
50-1333	Terminal Block 10 Poles (16KW, 23KW)	17	16.57 €
50-1119	Start Assist (16KW, 23KW)	19	60.68 €
SWITCH			
40-1002FV	425 - 325 PSI Flare R407C (16KW)	20	58.14 €
40-1041	565 - 400 PSI Flare R410A	20	81.22 €
40-1003V	25 - 50 PSI Flare R407C (16KW)	21	58.14 €
40-1033V	55 - 75 PSI Flare R410A	21	85.68 €
10-1311	Acces Valve Schrader 5/16"	22	16.24 €
CONTROLLER			
40-2000	EH Control Assy - All Models (40-1032)		318.47 €
20-1527	Escutcheon White	24	POA
40-1030	Defrost Sensor Probe - Yellow	25	22.82 €
40-1031	Water Temperature Sensor Probe - Black	26	34.68 €
HEAT EXCHANGER			
10-1230	20' Small Align (16KW)	32	665.56 €
10-1236M	56' Large Align W/Dcoil 19/23kW	34	1,125.63 €
122243B	40mm Half Union c/w O Ring Black	43	7.31 €
FILTER DRYER			
10-1345	1/2" X 1 5/8" OD	49	66.57 €
CAPILLARIES & EXPANSION VAIVE			
10-1425	Capillaries 6 X 34" TC 54 R407C (16KW)	50	POA
10-1451	Capillaries 6 X 41" TC 64 R410A (16KW)	50	POA
10-1405	Capillaries 6 X 24" TC 64 R410A (23KW)	50	2.00 €
10-1377	Expansion Valve 5 Tons R410A (25KW)	50	611.98 €
FAN GUARD			
60-1128	Compact Small (16KW)	51	128.48 €
60-1129	Compact Large (23KW)	51	37.32 €
60-1103	Round Medium (25KW)	51	95.39 €
FAN MOTOR			
30-1008	1/8 hp 900 (16KW, 23KW)	52	465.99 €
30-1006	1/6 hp 900/1075 RPM (25KW)	52	331.26 €
FAN BLADES			
30-1110P	Fan Blades 14" (13KW)	53	21.70 €
30-1103P	Fan Blades 16" (23KW) - old	53	112.84 €
30-1106P	Fan Blades 20" (25KW)	53	98.54 €
CANISTER			
05-1351	Inlet large (25KW)	56	1,059.73 €
20-1344	Stabilization Bar 9" (25KW) Required 1 each for both inlet & outlet	56	POA
05-1353	Outlet Large (25KW)	57	130.48 €
20-1359	Plastic Clamp Band (one piece)	64	50.69 €
80-1504	Rubber O Ring	65	13.33 €
20-1300	Cable Gland 3/4 NPT	66	22.12 €
20-1306	Hose Nipple	67	1.94 €
20-1357	Hose Nipple O Ring	67	1.27 €
20-1319	Thermostat Well 67.5 mm	68	1.35 €
20-1320	Thermostat Well O Ring	68	1.35 €
50-1205	Light Indicator	N/S	22.43 €

Electroheat Titanium MKIII Models 16kW & 23kW Single Phase

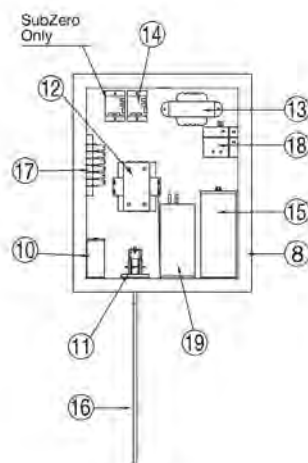


Electrical Box

(all models)



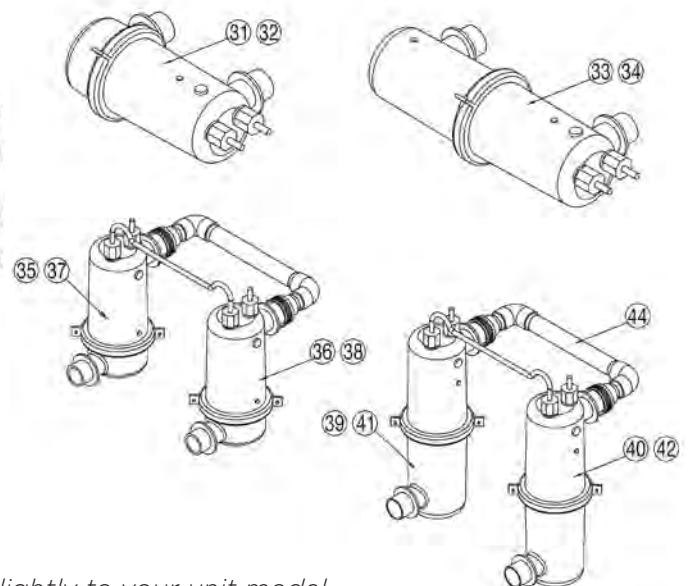
3 ph



1 ph

Canister Assembly

(all models)



The images are for illustration only and may differ slightly to your unit model.

Electroheat Inverter 12kW

Product Code: 2781210EU

Part Number	Product Description	List Price
COMPRESSOR		
69405523	Compressor Rotary Inverter Mitsubishi R410A	POA
69405524	Thermoacoustic Compressor Jacket	POA
SWITCHES		
69405525	High Pressure Switches OFF 3.6MPA (522 PSI)	POA
69405526	High Pressure Switches OFF 0.09MPA 13 PSI)	POA
69101311	Access Valve 5/16"	55.61 €
69401035	Adjustable Water Pressure Switch	52.63 €
CONTROLLER		
69405527	Inverter Controller System 3HP	POA
69405528	Inverter Controller Cover	POA
69405543	Controller Display Inverter	POA
69405544	PCB Inverter Controller Board	POA
69405545	Communication cable inverter	POA
69405546	Temperature sensor 10k L725mm Inverter	POA
69405547	Temperature Sensor x 3-L 1.2m 10k L0.7m (10k & 50k) inverter	POA
69405548	Temperature sensor 10k L2m inverter	POA
69405549	Inductor 500uH/25A inverter	POA
HEAT EXCHANGER		
69101235M	Heat Exchanger 28" Small Align with Double Coil	727.63 €
122243B	Half Union 40mm c/w 'O' Ring Black	7.31 €
W22125	plug 1/8 BSP Heat Pump	1.31 €
69201319	Thermostat Well 67.5mm	1.35 €
69801504	o-ring canister	POA
69405529	Nipple o-ring	POA
69405530	Thermostat Well o-ring	55.82 €
69405531	Clamp Band Heat Pump	POA
69201306	1/8" Barb nipple heat pump	1.94 €
69201300	3/4" Liquid tight connector 16mm dia. Seal	22.12 €
69405532	Canister outlet small	POA
FILTER DRIER & ACCUMULATOR		
69405533	Filter Drier 5 Tonne	POA
69405534	Accumulator	POA
CAPPILARIES & EXPANSION VALVE		
69405542	Electronic Expansion Valve	POA
FAN		
69601102	Fan Guard	POA
69801619	Rubber Grommit	POA
69405535	Fan Motor DC280V 8P IP44	POA
69405536	Fan blade 19.5" 3 blade plastic	POA
69405537	Fan cover black	POA
4 WAY REVERSING VALVES		
69405538	4 Way Reversing Valves	POA
PANELS		
69405539	Front Panel Inverter Grey	POA
OTHERS		
69405540	Flat Bar Support SS318	POA
69801024N	Cap Large - black Screws	POA
69801025	Cap Base for Big Screw Cap	POA
69405541	Nylon Screw Cover	POA

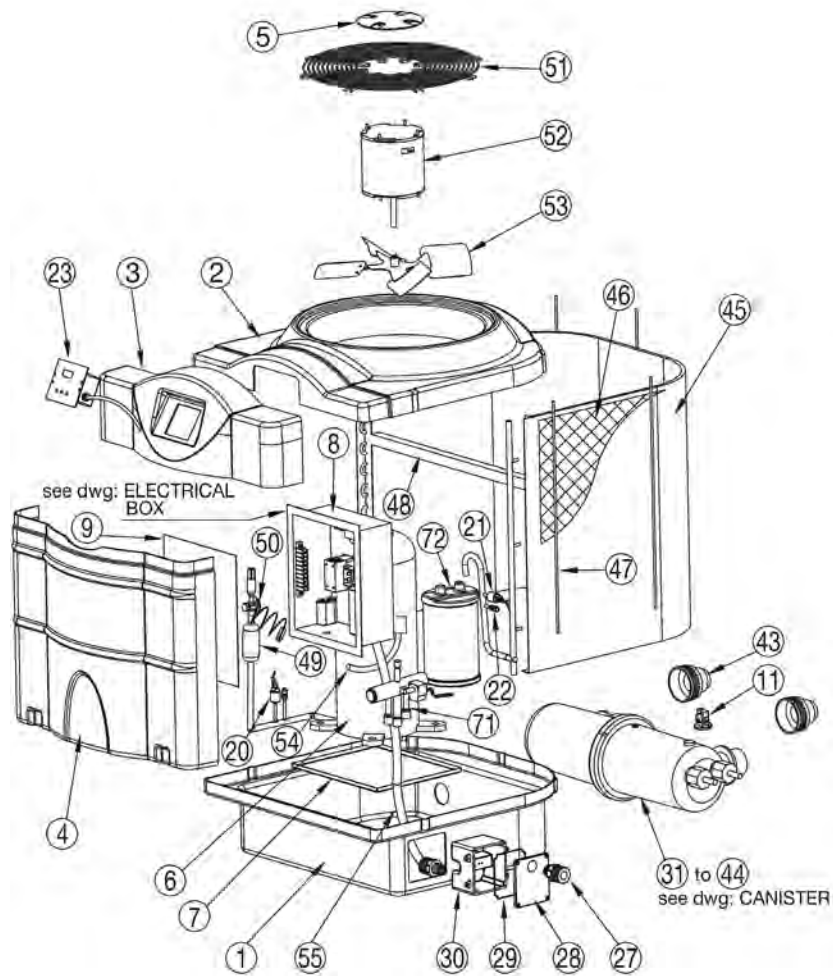
ElectroHeat Eco V Inverter 17,21,25kW

Part Number	Product Description	List Price
COMPRESSOR		
69405512	Compressor H42D5VZAAC2 Panasonic 25kW	2,151.15 €
69405550	Compressor 5V330ZAA21 Panasonic 17&21kW	POA
SWITCH		
69405509	Temperature sensor	7.13 €
69405510	Temperature sensor	10.73 €
69405511	Temperature sensor	7.26 €
69405507	Water Flow switch (2013)	50.12 €
69405517	High pressure switch	19.66 €
64905518	Low pressure switch	POA
CONTROLLER		
6940550	Variable frequency drive module 25kW	POA
6940551	Variable frequency drive module KLT1329 4.7kW 17 & 21kW	POA
69405501	Circuit board	214.81 €
69405502	Wired controller	127.29 €
HEAT EXCHANGER		
69101236M	Heat exchanger 56' Large Align with double coil	1,148.47 €
WATER CONNECTIONS		
69405522	Water inlet / outlet slip 1½ / 50mm	16.90 €
FAN		
69405506	Fan Motor YDK-200-6	362.28 €
69405521	Fan O560 169	99.53 €
ELECTRICAL		
69405503	Contactator 35A 5.5kW	159.42 €
69405504	Transformer 24V	21.46 €
69405505	Fan Mtr Capacitor 10QF/450V CBB61C	15.23 €
69405508	Relay JQX-105F- 4/220AC	18.89 €
69405513	Electronic expansion valve	127.81 €
69405514	Electronic expansion valve coil	56.42 €
OTHERS		
69405519	Needle valve R410A	10.35 €
69405520	Gas pressure gauge R410A	37.59 €
69405515	Four Way Valve STF	POA
69405516	Four Way Valve Coil	POA

Electroheat Ultra Models 22kW, 29kW & 44kW Three Phase

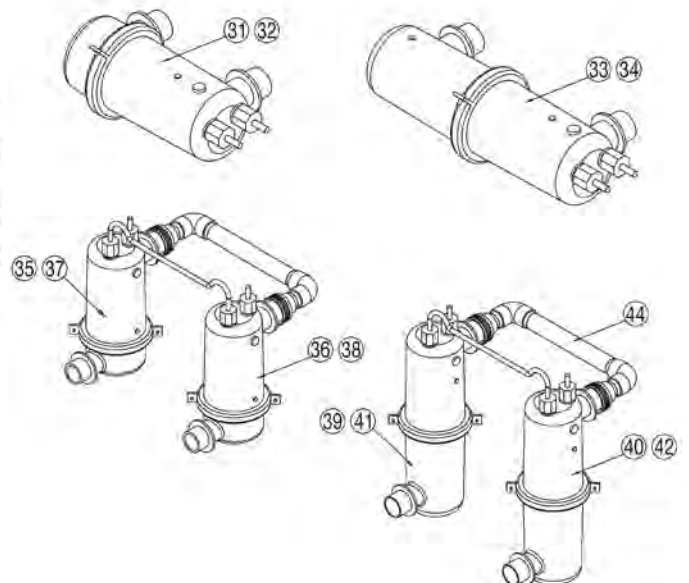
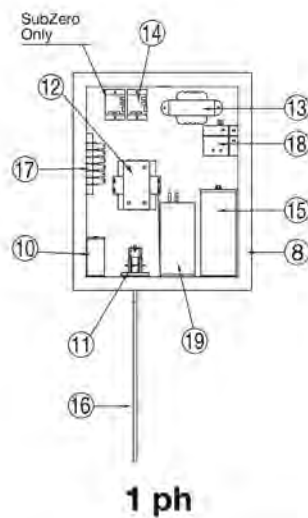
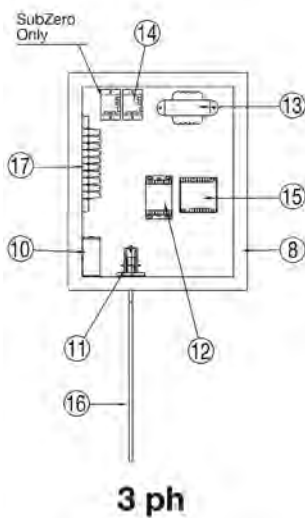
Part Number	Product Description	Diagram No.	List Price
20-1525	Ventilation Cap	5	41.39 €
10-1065SA	Compressor Scroll 6 HP R410A (22kW)	6	1,653.71 €
10-1070SA	Compressor Scroll 7 HP R410A (29kW)	6	1,786.87 €
70-1208EC	Compressor Support Scroll 4 Holes	7	21.69 €
10-1072SA	Compressor Scroll 10 hp (44kW)	6	4,021.75 €
ELECTRICAL BOX			
50-1103	5 mf - 370 VAC	10	20.07 €
40-1006A	Pressure Switch	11	52.63 €
50-1009	Contactator	12	189.03 €
40-0001	Transformer	13	63.51 €
40-0002	Relay 24 V	14	25.00 €
40-1017	Phase Monitor	15	333.78 €
50-1333	Terminal Block 10 poles	17	16.57 €
SWITCH			
40-1040	50 - 25 PSI R410A (All Models) - Low Pressure	20	81.91 €
40-1041	565 - 400 PSI R410A (all Models) - High Pressure	20	81.22 €
10-1311	Acces Valve Schrader 5/16"	22	16.24 €
CONTROLLER			
40-5000M2	Control Assembly Multi function	23	318.48 €
HEAT EXCHANGER			
05-1305R	16' Small Opposite - In (Right) 22KW	35	2,529.02 €
05-1305L	16' Small Opposite - Out (Left) 22KW	36	2,529.02 €
05-1306R	20' Small Opposite - In (Right) 29KW	37	2,644.46 €
05-1306L	20' Small Opposite - Out (Left) 29KW	38	2,644.46 €
122243B	40mm Half Union c/w O Ring Black	43	7.31 €
10-1236MR	Large Opposite in (Right) 44KW		1,098.88 €
10-1236L	Large Opposite out (Left) 44KW		1,098.88 €
05-1362	Connecting Tube PVC	44	19.53 €
FILTER DRYER			
10-1340	Bi-Flow 1/2" ODF 5 Tons (22kW & 29kW)	49	243.51 €
10-1376	Bi Flow 3/8" ODF 10 Tons (44kW)	49	280.40 €
EXPANSION VALVE			
10-1381	Expansion Valve 4 Ton R410A (22kW)	50	611.98 €
10-1378	Expansion Valve 6 Ton R410A (29kW)	50	611.97 €
10-1380	Expansion Valve 9 Ton R410A (44kW)	50	654.66 €
FAN GUARD			
60-1104	Round Large (All Models)	51	108.47 €
FAN MOTOR			
30-1004	1/4 hp 900 RPM (All Models)	52	465.98 €
FAN BLADES			
30-1107	Fan Blades 22"	53	101.37 €
CANISTER			
W22041	Plastic Clamp Band (one piece)	64	7.95 €
W12419	Rubber O Ring	65	13.33 €
20-1300	Cable Gland 3/4 NPT	66	22.12 €
20-1306	Nipple 1/8" Barb	67	1.94 €
W22031	Hose Nipple O Ring	67	3.37 €
20-1319	Thermostat Well 67.5 mm	68	1.35 €
W22038	Thermostat Well O Ring	68	3.37 €
OTHERS			
50-1205	Light Indicator	70	22.43 €
10-1362	4 Way Reversing Valve	71	140.07 €
10-1501	Suction Line Accumulator	72	366.52 €

Electroheat SubZero and Ultra



Electrical Box
(all models)

Canister Assembly
(all models)



Electroheat MKIV & Ultra

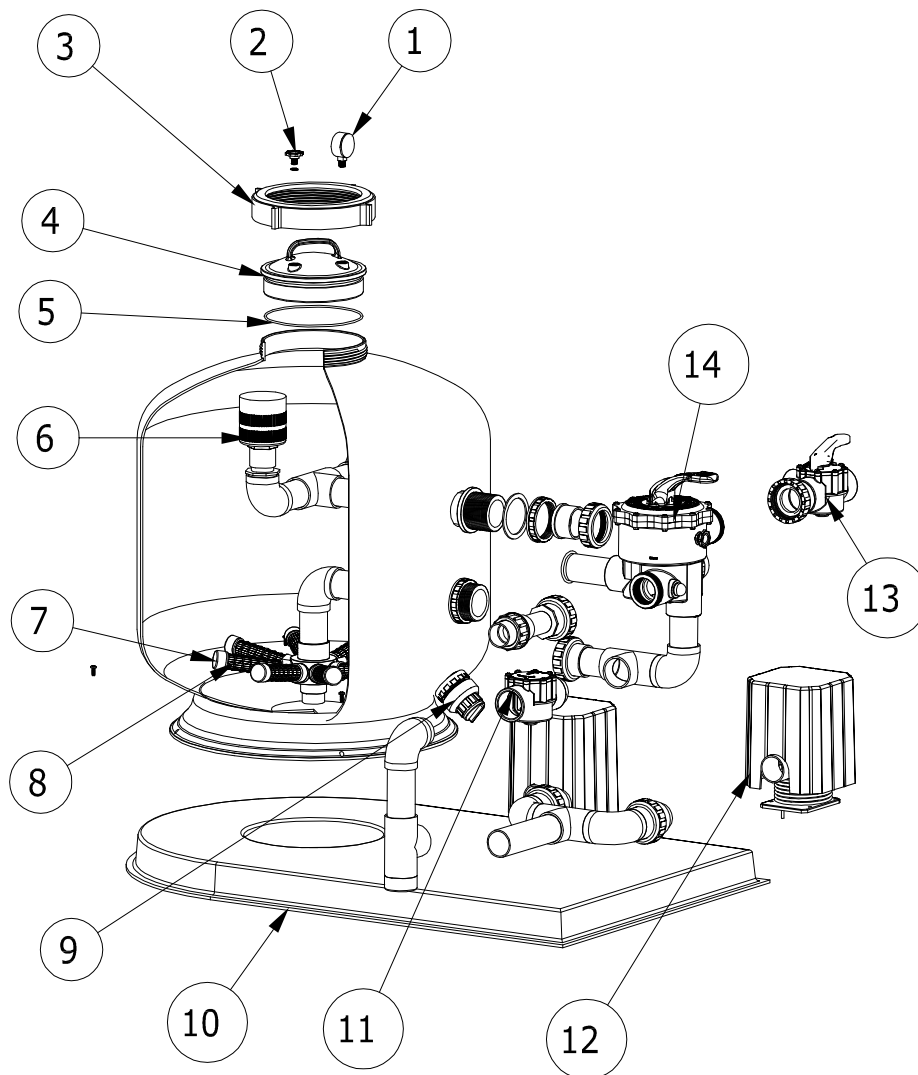
Product Codes: 278092, 278094, 278122, 278151, 278191, 278231, 2781911, 2782311

Part Number	Product Description	List Price
COMPRESSOR		
10-1024HI	Compressor Rotary 2.4HP R410 240V 50HZ (9kW)	1,317.60 €
10-1084HI	Compressor Rotary 3.2 HP R410 240V 50HZ (12kW & 15kW)	841.59 €
10-1074SA	Compressor Scroll 4.5 hp R410A (19kW)	1,667.00 €
10-1076DS	Compressor Scroll 6.0 hp R410 (23kW)	5,641.24 €
HEAT EXCHANGER		
10-1235M	Heat Exchanger 28' Sml Align with Double Coil (9KW - 278094 / 12KW / 15kW)	2,915.51 €
10-1236M	Heat Exchanger 56' Large Align with Double Coil (19kW/23kW)	1,125.63 €
20-1300	3/4" Liquid Tight Connector H/Pump	22.12 €
122243B	40mm Half Union C/W O'ring - Black	7.31 €
20-1319	Thermostat Well 67.5 mm	1.35 €
W22038	Thermostat Well O Ring	3.37 €
CAPILLARY		
W22891	Capillary Kit with Distributor 3x21" TC54	247.56 €
10-1388	Bi Flow Distributor Assembly #89 with strainer 3/8" (19kW)	262.20 €
10-1389	Bi Flow Distributor Assembly #102 with strainer 3/8" (23kW)	270.92 €
10-1385	Reversing Valve Assy Ultra	126.01 €
ELECTRICAL		
40-1006AV	Flow Switch Adjustable - Flare 3/4 NPT	71.64 €
30-1023	Fan Motor 45W 208-230 50/60hZ 6P	239.38 €
30-1116	Fan Blades 18" 12.7mm PP + Fibre	178.79 €
60-1131	Fan Guard 18"	213.14 €
50-1008	Contactator	81.62 €
40-0001	Transformer	63.51 €
40-0002	Fan Relay 24V	25.00 €
40-2000	Heat Pump Control Assy W Diagnostics	318.47 €
40-5000M2	Heat Pump Control Assy Reversing W/Diagnostics 40-1036 (Ultra, 19kW & 23kW)	318.48 €
20-1531	Escutcheon Assy Black Tinted Clear Cover	11.47 €
40-1040	Low Press Switch R410 25 - 50 PSI	81.91 €
40-1041	High Press Switch R410 565 - 400 PSI	81.22 €
40-2005M2	Defrost Sensor Probe - Yellow	22.83 €
40-2007M2	Water Temperature Sensor Probe - Black	34.68 €
BODY PANELS		
W44529	Base Panel - Black	185.29 €
20-1942	Top Panel - Black	185.29 €
60-1117	Support Rod Small	7.27 €

Aquabiome Skid Pack (SM400 - SM900)

Part Number	Product Description	Diagram No.	LIST PRICE
14862	Wat 50/652W valve (SM700, Sm900)	13	58.05 €
14852	FPI 2 way valve white (SM400, SM500, SM600)	13	51.48 €
282400	Spa blow air flow 1000 (SM750, SM900) - 2 Nos required Spa blow air flow 1000 (SM400, SM500, SM600) - 1 Nos required	12	441.36 €
14651	Check valve 50/60mm 180DG	11	See Main Plist
455569	Skid base T/P T600 (SM400, SM500)	10	86.80 €
620822	Base bead Filter 24" (SM600)	10	260.81 €
620823	Base bead filter 30"/36" (SM750, SM900)	10	289.83 €
W04058BLK	D/P complete 40mm Black	9	115.58 €
6209240	Lateral 1.1 x 200mm (SM900) - 8 Nos required	8	4.66 €
6209220	Lateral 1.1 x 110mm (SM600) - 8 Nos required	8	2.85 €
6209230	Lateral 1.1 x 145mm (SM500, SM750)	8	3.69 €
6209210	Lateral 1.1 x 75mm (SM400, SM600, SM750, SM900) - 8 Nos required	8	2.46 €
W02117PP	Lateral end cap nut PP - 8 Nos required	7	2.80 €
6209412	Diffuser 0.5mm slot short (SM750, SM900) - 2 Nos required Diffuser 0.5mm slot short (SM400, SM500, SM600) - 1 Nos required	6	13.22 €
62026	T/L lid 'O' ring	5	16.94 €
6209291	Filter lid 8" clear	4	56.30 €
62024BLK	TCF lock ring black	3	35.44 €
620221	Air relief valve - new - 2 Nos required	2	6.56 €

For multiport valves and pressure gauges see page 14-16 of the main pricelist



Exotuf Aquabiome Skid Pack (E500, E600, E702)

Part Number	Product Description	Diagram No.	LIST PRICE
282410	Blower Airflo Europe (E500+, E600+)	14	See Main Plist
282501	Spa blower Whisperair 1200 Watt motor (E702+)	14	627.14 €
14642	Spring ball check valve 40mm (E500+, E600+)	13	51.60 €
W32979	Spring ball check valve 50mm F/Threaded (E702+)	13	72.44 €
620221	Air relief valve - new style - black	12	6.56 €
6409412	Diffuser 0.5mm slot short	11	13.22 €
6209240	Lateral 1.1 x 200mm (E702+) - 8 Nos required	10	4.66 €
6209220	Lateral 1.1 x 110mm (E500+, E600+) - 8 Nos required	10	2.85 €
6209210	Lateral 1.1 x 75mm (E600+) - 8 Nos required	10	2.46 €
W02117PP	Lateral end cap nut PP - 8 Nos required	9	2.80 €
W02026BLK	Drain plug complete 15mm - black	7	23.02 €
6220208	Clamp band 8" - 2 Nos required	6	107.35 €
62092911	Filter clear lid 8" clamp type	5	68.61 €
622203	Screw overmolded M8 x 60 S/S hex bolt - 2 Nos required	4	52.21 €
W22479	'O' ring 197.2 x 4.5mm NBR black Shore70	3	11.82 €
W22280	Washer flat M8 brass (8.4 x 18 x 1.5mm) - 2 Nos required	2	9.00 €
W02195TLJ	De knob w0.6" head DIA brass insert - 2 Nos required	1	9.10 €

For multiport valves and pressure gauges see page 14-16 of the main pricelist

