

WATERCO

water, the liquid of life

Manufacturing Power House

Waterco's R&D division has led to the development of innovative products, meeting the challenges of change in the market place. The key to Waterco's success has been its pioneering fibreglass and plastic moulding techniques, as well as its efficient manufacturing processes.

Waterco acquired Lacron Limited, at the time the UK's largest and most progressive manufacturer of pressure sand filters. Since this acquisition, Waterco has used this UK base for all its European operations.

Mission Statement

To be a proactive company with a strong international presence in the water treatment and related industries. To provide outstanding customer service and technological support for its growing product range.

Waterco exports to over 40 countries via branches operating in Australia, New Zealand, Malaysia, China, the United Kingdom, United States of America, Canada and Indonesia as well as through international distributors.



DAVEY



Waterco is proud to announce the aquisition of Davey Water Products

To view the extensive range of Davey pool products available in Europe, head to daveywater.com/eu.

Depend on Davey.



SILENSOR PRO

With an 8 star energy rating, and iOS and Android app control via Bluetooth®, the robust and super quiet SilensorPro Premium pool pump has fully variable speed control and is suited to a wide range of pumping applications such as filtration, solar heating, gas and heat pump heating, as well as suction and in-floor cleaning systems.



PROMATIC LIFEGUARD

The ProMatic Lifeguard is a complete pool chlorination and chemistry control system. WiFi enabled with a fully integrated app, the ProMatic Lifeguard allows for remote monitoring and control of the pool and offers the flexibility of salt or mineral chlorination.

Davey. Proudly Australian since 1934.

daveywater.com/eu

Conversion Tables

SOME USEFUL CONVERSIONS

Kilowatts	x 3412	=	B.T.U.	Ft ³	x 0.0283	=	m ³
Kg	x 2.205	=	Pounds	Ft ³	x 6.2288	=	Gallons (imperial)
H.P.	x 0.7457	=	Kilowatts	m ³	x 220	=	Gallons (imperial)
Inches	x 2.540	=	Centimetres	imp Gallons	x 4.5461	=	Litres
Feet	x 0.3048	=	Metres	Ft ³	x 28.317	=	Litres
Sq. Ft.	x 0.0929	=	Sq. Metres	m ³	x 1000	=	Litres

Imperial Gallon	= 1.201	US Gallons	1m ³	= 220	Imperial Gallons
	= 0.004546	m ³		= 264.20	US Gallons
	= 4.546	litres		= 1,000	litres
US Gallons	= 0.833	Imperial Gallons	1 Litre	= 0.2200	Imperial Gallons
	= 0.003785	m ³		= 0.2640	US Gallons
	= 3.785	litres		= 0.0010	m ³

UPVC & ABS IMPERIAL PIPE - DIMENSIONS AND FLOW RATES

PIPE SIZE	PIPE CLASS	OUTSIDE DIAMETER	INTERNAL DIAMETER	CROSS SECTION AREA	SUCTION FLOWRATE		RETURN FLOWRATE	
					MAX FLOW AT 1.2m/sec VELOCITY	MAX FLOW AT 2.0m/sec VELOCITY	MAX FLOW AT 1.2m/sec VELOCITY	MAX FLOW AT 2.0m/sec VELOCITY
inches		inches	inches	square inches	gal/hour	m ³ /hour	gal/hour	m ³ /hour
0.5"	E	0.842	0.692	0.376	232	1.1	386	1.5
0.75"	E	1.053	0.888	0.619	381	1.7	634	2.4
1"	E	1.321	1.102	0.954	587	2.7	978	3.7
1.25"	E	1.663	1.409	1.559	959	4.4	1598	6.0
1.5"	C	1.900	1.609	2.032	1250	5.7	2084	7.8
2"	C	2.375	2.137	3.586	2206	10.0	3677	13.9
3"	E	3.500	3.012	7.124	4382	19.9	7305	27.6
4"	E	4.500	3.846	11.615	7145	32.5	11910	45.0

HEAD AND PRESSURE

1ft Head	= 0.3048	metres head	1metre Head	= 3.281ft	ft Head
	= 0.4335	psi		= 1.422	psi
	= 0.02989	bar		= 0.09807	bar
	= 0.8827	inch/hg vacuum		= 2.896	inch/hg vacuum
	= 0.03048	kgf/cm ²		= 0.1000	kgf/cm ²

EQUIVALENT

METRIC		IMPERIAL	
Outside Dia.	Outside Dia. (Imperial)	Nominal Bore	Outside Dia. (Imperial)
20mm	0.67"	3/8"	0.675"
None	-	1/2"	0.842"
25mm	0.98"	3/4"	1.053"
32mm	1.26"	1"	1.321"
40mm	1.58"	1 1/4"	1.663"
50mm	1.97"	1 1/2"	1.900"
63mm	2.48"	2"	2.375"
75mm	2.95"	2 1/2"	2.960"
90mm	3.54"	3"	3.500"
110mm	4.33"	4"	4.500"
125mm	4.92"	none	-
140mm	5.51"	5"	5.520"
160mm	6.30"	6"	6.625"

IMPORTANT NOTE: When referring to pipe sizes, metric pipe is quoted by its actual outside diameter. Imperial pipe is quoted by its nominal bore or inside diameter.

Index

Product Catalogue

8 Terms & Conditions of Sale

9-14 Valves

Flow Check Non Return Valves
FPI Valves
Actuator Valves
Multiport Valves
Commercial Multiport Valves
Pressure Gauges

15-20 Multicyclone Prefilters

Multicyclone
Multicyclone Plus / Ultra
Multicyclone PRO
Base Stands
Multicyclone MC70XL

21-30 Filters

Micron Top
Micron Side
Lacron LSR Side
Lacron TMV Top
Lacron LSR Pure Side
Exotuf Top
Moulded Skid Base
Trimline Cartridge Filter
Opal XL Cartridge
Fulflo Tri-Cartridge
Trimline Leaf Trapper

31-44 Commercial Filters

Micron SMD
Micron SMDD
Micron SPDD Nozzle Plate
Micron SPDD DIN
Hydron Split Tank
Micron Horizontal
Lacron HZC Horizontal
Lacron LSC
Finaflow MBF
Finaflow DBF
Valve Batteries
Pressure Gauge Panel

45-48 Filtration Media

EcoPure Glass Media
Glass Pearls

49-58 Pumps

Aquamite
Supastream
Lacronite / Lacronite ECO
Supatuf / Supatuf ECO V
Hydrostorm
Hydrostorm Plus
TurboFlo

59-70 Commercial Pumps

Hydrostar MKIII
Hydrostar MKIV
Hydrostar Plus 2940 rpm
Hydrostar Plus 1450 rpm
Pump Specifications Table
Hydro Commercial Strainer
Flange Kits
Air Release Valve
Sight Glass
Variable Frequency Drive (VFD)

71-78 Maintenance Equipment

Ultravac Portable Filtration Cart
PRO Pool Care
Aquafingers

79-80 Pool Water recirculation

Skimmers
Hydrostatic valve

81-86 Sanitisation

Hydrochlor MK3 Mineral Chlorinator
UV-C Disinfection System

87-92 Heating

ElectroHeat Ultra ECO V
ElectroHeat XL
ElectroHeat XL ECO-V
ElectroHeat Pumps MKIII

93-98 Aquaculture

Exotuf Aquabiome Bead Filter
Micron Aquabiome Bead Filter
Airflo Air Blower
UV-C Disinfection System

99-102 Purification Systems

Micron W / WD Series
Commandomatic TCF Cartridge Filter
Commandomatic TBF Bag Filter

103-106 Warranty Terms and Conditions

Index

Spare Parts Catalogue

2-14 MPVs

4 way 1.5" / 50mm
6 way 1.5" / 50mm
6 way 2" / 63mm
6 way 2.5" / 75mm
6 way 3" / 90mm
Commercial 4" / 110mm

15-19 MultiCyclone

MultiCyclone 12 (standard)
MultiCyclone 16 (standard)
MultiCyclone 12 Plus / Ultra
MultiCyclone 16 Plus / Ultra
MultiCyclone 70 XL Commercial

20-48 Domestic Filters

Trimline Cartridge TCF
Opal Cartridge
Opal XL Cartridge
Leaf Trapper
Fulflo Tri-Cartridge
Fulflo DE (Astra)
Waterco TM Micron/Exotuf
Exotuf Plus SM
Exotuf Plus TM
Micron SM
LacronTM
Lacron Pure
Lacron SM
Lacron Plus

49-69 Commercial Filters

Micron SMD / SMDD
Micron SPDD
Micron Horizontal
Hydron Split Tank
Lacron Horizontal
Lacron Commercial SM
Lacron MBF
Lacron DBF

70-83 Pumps

Aquamite
Lacronite
Supatuf
Supastream
Hydrostorm
Hydrostorm Plus
Turboflo
Hydrotuf
Hydrostar
Hydrostar Plus

84-93 General Equipment

Commercial Strainer
Ultra Vac Cart
Supaskimmer
Hydrochlor
Top Load Cartridge Filter
Air Blowers
Commandomatic Trimline Filter
W & WD Deep Bed Filter

94-104 Heat Pumps

ElectroHeat Plus
ElectroHeat Titanium
ElectroHeat Inverter
ElectroHeat Ultra / Subzero

105-106 Aquaculture

Aquabiome SM400-900
Exotuf Aquabiome E500, E600, E702

Terms and Conditions of Sale

1. PURCHASES

We request that orders be made in writing using product code numbers and descriptions as published in our price list. This will minimise the possibilities of errors.

2. DELIVERY

Delivery time will be 14 days from receipt of orders in the case of material available ex-stock. Where items are out of stock, we will specify supply date immediately upon receipt of order. Supply date is the date materials leave our warehouses as we cannot be held responsible for changes in shipping schedules or shipping delays.

3. PAYMENT

Payment in advance by telegraphic transfer unless credit arrangements have been approved.

4. MINIMUM ORDER

Minimum order value is 50.00€ (excluding taxes and freight) or a surcharge of 20.00€ will apply.

5. PRICES

Prices are inclusive of standard packing ex-warehouse and in €. Waterco Europe Ltd reserve the right to change the price without prior notice.

6. SPECIFICATIONS

All specifications are for guidance only and dimensions are subject to tolerance (+/-1%). Designs may be modified without notice. Please contact Waterco to confirm current product dimensions.

7. WARRANTY

All Waterco Europe Ltd products are manufactured using the finest quality materials available and are subject to the most stringent quality and performance tests. For full details of our Warranty Terms and Conditions, please see page 107-110.

8. ORDERS

The customer shall, within fourteen (14) days upon receipt of a completed order, report to Waterco Europe Ltd in writing, all incorrect deliveries. Deliveries shall be assumed to be correct and no adjustment shall be made unless such notice is provided to Waterco Europe Ltd within fourteen (14) days of the date of receipt of the goods. No stock returns will be accepted without prior written agreement from Waterco Europe Ltd.

9. RESTOCKING FEES

PRODUCT	RESTOCKING FEES
Commercial Filters	250€
Heat Pump	250€
Commercial Pumps	150€
All other products	25% of value

PLEASE NOTE THESE ARE RE-STOCKING FEES ONLY AND NOT APPLICABLE TO WARRANTY RETURNS.

Return carriage charges and arrangements will be the responsibility of the customer wishing to return the goods, and no carriage charges will be included in any subsequent refund issued.

No credit will be issued unless goods are returned in a resalable condition including all packaging, and after the product has been tested/inspected and approved.

10. OWNERSHIP OF GOODS

Ownership of the goods in all cases shall be retained by Waterco Europe Ltd until payment is made for such goods and for all goods supplied by Waterco Europe Ltd to the customer and such payment is received in full. In the event that the customer fails to make payment within the due date stipulated by Waterco Europe Ltd, Waterco Europe Ltd shall have the right to enter upon the premises of the customer and to regain possession of the said goods. In the event that such goods are sold by the customer prior to payment thereof, or if they shall become constituents of other goods, then the proceeds of sale thereof shall be the property of Waterco Europe Ltd.

11. DISPUTES

Any dispute must be received in writing by Waterco Europe Ltd within 14 days of receipt of goods.

12. The Waterco (Europe) Ltd Terms & Conditions of Sale are correct at the time of print. These terms & conditions can be updated at any time and are available to download from our Waterco Ltd Website; www.waterco.eu or by scanning the QR code.



Contents

VALVES

MULTICYCLONE

FILTERS

COMMERCIAL FILTERS

MEDIA

PUMPS

COMMERCIAL PUMPS

MAINTENANCE EQUIPMENT

POOL WATER RECIRCULATION

SANITISATION

HEATING

AQUACULTURE

PURIFICATION SYSTEMS

SPARES



CLIMATE CARE
CERTIFIED

THE NEW BENCHMARK IN
ENVIRONMENTAL SUSTAINABILITY
FOR SWIMMING POOLS & SPAS



The Climate Care Certification Program is an initiative of the Swimming Pool & Spa Association of Australia Ltd (SPASA Australia).

It is the industry's efficiency and sustainability certification program.

A CLIMATE CARE CERTIFIED PRODUCT, SYSTEM OR INSTALLATION / RETROFIT / CONSTRUCTION IS ONE THAT CREATES A NEW BENCHMARK FOR SWIMMING POOLS AND SPAS WHICH UTILISES:

- ✓ WATER EFFICIENCY / SUSTAINABILITY
- ✓ ENERGY EFFICIENCY
- ✓ NOISE REDUCTION MEASURES
- ✓ ENVIRONMENTALLY SUSTAINABLE DESIGNS
- ✓ EFFICIENCY / SUSTAINABILITY / INNOVATION

WATERCO
EUROPE LTD
water, the liquid of life

Valves



Valves



Flow Check Valve 180°

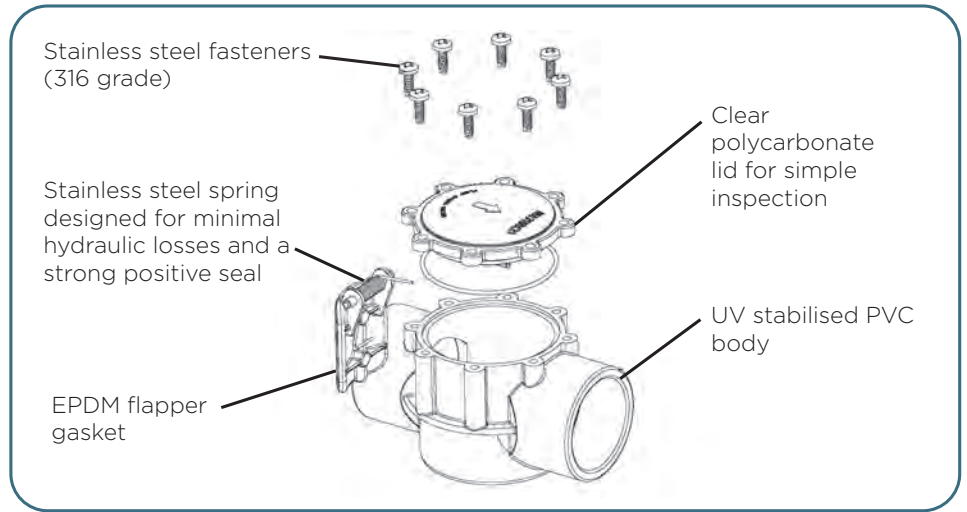


Flow Check Valve 90°

FLOW CHECK NON RETURN VALVE

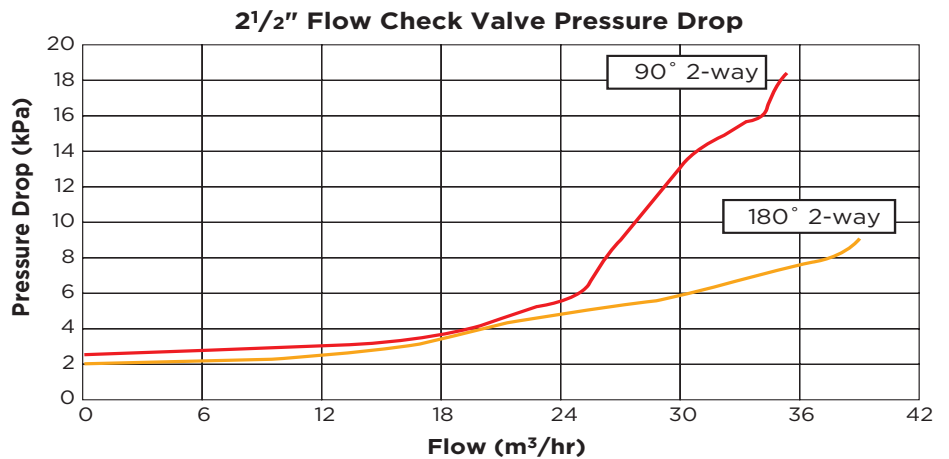
Part No.	Product Description	Nom. Size	Price
14653	Flow Check Valve 180°	63/75mm	66.34 €
14651	Flow Check Valve 180°	2"/2 1/2"	66.34 €
146539	Flow Check Valve 90°	63/75mm	66.21 €
146519	Flow Check Valve 90°	2"/2 1/2"	66.21 €

The Flow Check Valve has been designed to be simple to install, inspect and service. With a stainless steel spring designed for minimal hydraulic losses and a stronger positive seal, it is ideal for both inlet and return lines.



- Eliminate the loss of prime on the suction side of a pump.
- Prevent the drain down of water towards pumps and filters.
- Prevent water flow in an unwanted direction.

The Flow Check Valve's pressure rating of 4 bar (58 psi) and its 316 stainless steel fasteners make it suitable for domestic and commercial applications.



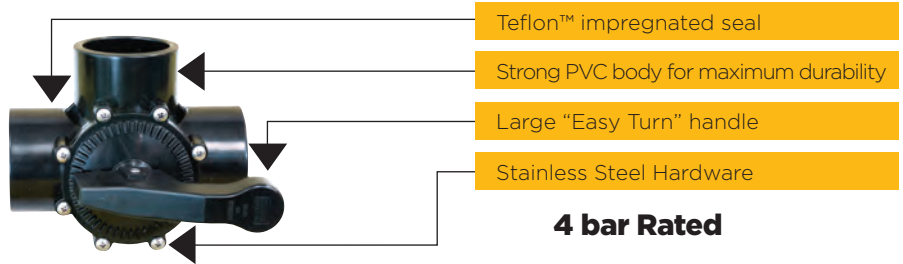
Valves



3 way valve 14863

MANUAL FPI VALVES - with teflon seals

Part No.	Product Description	Nom. Size	Price
14852	2 Way Valve slip fit - Teflon™ impregnated seals	1/2"/2"	51.94 €
14853	3 Way Valve 360° slip fit - Teflon™ impregnated seals	1/2"/2"	54.45 €
148533	3 Way Valve 360° slip fit Metric- Teflon™ impregnated seals	50mm	54.45 €
148563	2 Way Valve slip fit Metric - Teflon™ impregnated seals	63/75mm	63.83 €
148603	3 Way Valve 360° slip fit Metric- Teflon™ impregnated seals	63/75mm	66.21 €



Teflon™ seals

Teflon™ seals offer minimal friction and smooth operation.

Quick installation

The FPI valve body is made from UPVC. Its compatibility with PVC pipes will ensure quick setting and a stronger bond.

Engineered strength

Both the FPI Valve lid and handle are constructed from premium ABS plastic. The valve's steel components are constructed from high quality 316 grade stainless steel.

High pressure rating

The advanced design and construction of the FPI valves enable them to withstand a working pressure of 4 bar (58 psi).



FPI VALVES ACTUATOR

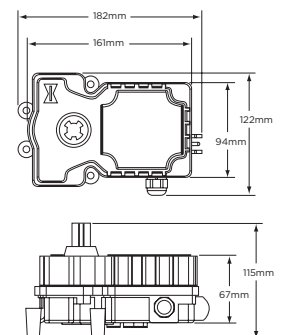
Part No.	Product Description	Price
3652607	24VAC FPI Valve Actuator	741.84 €

For compatible valves please see below

- **Designed to operate 2-way and 3-way FPI valves**
- **Adjustable cam rotates diverter valves to multiple degree settings**
- **Provides automatic control of valves for water features, pool/spa combinations, solar collectors and pool cleaners**
- **Retro-fits into all pool/spa control systems offered in the market**

Specifications

Voltage	24 VAC
Amps	0.65
Torque	250 inch pounds (288 kilograms force centimeter)
Material	Housing - Noryl; Gears - steel
Grease	MoS2 Lubricant
Cord length	15' (457.2 cm)
Rated	Outdoor use



ACTUATOR FPI VALVES - SUITABLE FOR USE WITH 3652607 VALVE ACTUATOR

Part No.	Product Description	Price
148584	3 Way Valve Slip-fit Teflon impregnated seal 2"/2 1/2"	79.15 €
148564	2 Way Valve Slip-fit Teflon impregnated seal 2"/2 1/2"	75.45 €

The actuator FPI valve is specifically designed to be used in conjunction with the FPI valve actuator (3652607 above).

By simply unscrewing the thumb screw the valve handle can be removed and the valve actuator fitted.

Valves

TOP MOUNT MULTIPOINT VALVES 4 Bar

Part Number	Product Description:	SUITS FILTER	Price
All valves come complete with PVC quick connect unions and air-relief valve			
Top Mount MPV 1 1/2"			
2280424	1 1/2" / 50mm clamp type 6"	Thermoplastic T400, T500 / Exotuf E400, E450	288.52 €
22804456EUM	1 1/2" / 50mm clamp type 6"	Exotuf E500, E600 / E500+ / E600+	288.53 €
22804416EUM	1 1/2" / 50mm threaded type	Micron S500, S600, S700 TMV18, TMV20, TMV24	261.71 €
2280443EUM	1 1/2" / 50mm collar type 10"	S600E & S700E Premium	304.99 €
Top Mount MPV 2"			
228053EURO	2" / 63mm 12-stud bolt-on type	Micron S602, S702, S750, S800, S900 / Micron SD750, SD900	359.50 €
228058EUM	2" / 63mm clamp type 8"	Exotuf E602+, E72+	290.57 €



Part code: 2280424



Part code:22804456EUM



Part code:22804416EUM



Part code: 2280443EUM



Part code: 228053EURO



Part code:228058EUM

Valves

SIDE MOUNT MULTIPOINT VALVES 4 Bar

Part No.	Product Description	Suits Filter	Price
All valves are complete with PVC quick connect unions & air relief valve			
Side Mount MPV 1.5"			
2290422	1½" / 50mm MPV - Suits elbow pipe set 121558 (not included)	Exotuf Side E500-600 Micron SM400, SM500, SM600 Lacron LSR16, LSR18, LSR20, LSR24 Lacron Pure LSR20, LSR24 Lacron Bobbin LFW20, LFW24, LFW28 Finaflow MBF24	209.37 €
229042	1½" / 50mm Bead Filter MPV	Pond Professional and Aquabiome Bead Filter	195.46 €
Side Mount MPV 2"			
2290512EURO	2" / 63mm MPV - Suits sweep elbow pipe set 121559* (not included)	Exotuf Side E602, E702 Micron SM602, SM700, SM750, SM900, SMD750, SMDD750 Lacron LSR30, LSR36 (ADD OFFSET ADAPTOR W22259) Lacron BOBBIN LFW30	282.29 €
4104	2" / 63mm MPV - white - Suits sweep elbow pipe set 1215590 (not included)	Lacron LSR30 Lacron Pure LSR30 Finaflow MBF30, DBF30	326.15 €
22905123	2" / 63mm MPV + rigid 90° pipe set- 214mm pitch (included)	Lacron LSR30	336.35 €
22905124	2" / 63mm MPV + rigid 90° pipe set- 300mm pitch (included). Special request only	Lacron LSR 36" (2" connections)	336.35 €
229052	2" / 63mm Bead Filter MPV	Pond Professional and Aquabiome Bead Filter	324.03 €

Sweep Elbow Pipe Sets only - No MPV

121558	1½" Waterco Sweep Elbow pipe set	Lacron LSR16, LSR18, LSR20, LSR24 (post 2004)	37.17 €
1215580	1½" Waterco Sweep Elbow pipe set	Lacron LSR18-24 (pre 2004)	59.45 €
121559	2" Waterco Sweep Elbow pipe set	Micron SM700-900	45.56 €
1215590	2" Waterco Sweep Elbow pipe set	Lacron LSR30 (post 2004)	66.34 €

Please Note: 1.5" Lacon filters manufactured pre 2004 will have union adaptors (Barrel Unions) with flat gaskets. 1.5" Lacon filters manufactured post 2004 will have union adaptors (Barrel Unions) with 'O' rings

* Not suitable with the Lacron 36"



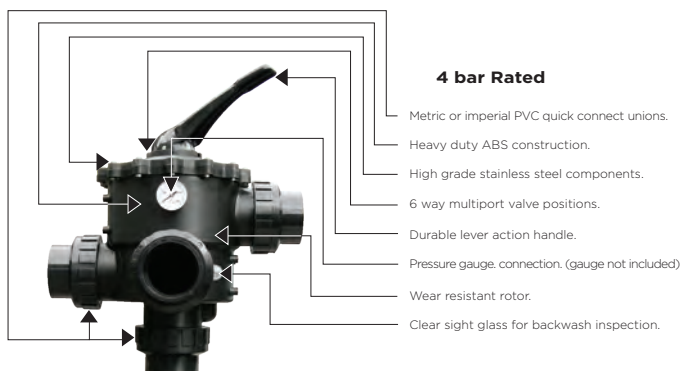
Part code: 2290422 / 121558



Part code: 2290512EURO



Part code: 4104



4 bar Rated

- Metric or imperial PVC quick connect unions.
- Heavy duty ABS construction.
- High grade stainless steel components.
- 6 way multiport valve positions.
- Durable lever action handle.
- Pressure gauge connection. (gauge not included)
- Wear resistant rotor.
- Clear sight glass for backwash inspection.

Waterco Multiport Valves

Constructed from heavy duty ABS and GFPP, Waterco Multiport valves are designed for maximum performance and working pressures. Waterco's entire range of Multiport valves are engineered to withstand a working pressure of up to 4 bar (58 psi) with a test pressure of 6 bar (87 psi).

Valves

COMMERCIAL MULTIPOINT VALVES 4 Bar

Part Number	Product Description:	SUITS FILTER	Price
All valves come complete with PVC quick connect unions and air-relief valve			
Side Mount			
2290501	2 1/2" / 75mm Side Mount MPV only	SM1050 - SM1200	445.08 €
22905040	2 1/2" / 75mm MPV with pipe kit	SM1050 - SM1200	574.87 €
2290900	3" / 90mm Side Mount MPV only	SM / SMD / SMDD900 - 1600 / SPDD1050 - 1200 / LSC36 - 48 / DBF 36 - 42	843.72 €
2290905	3" / 90mm MPV with pipe kit	SM / SMD900 - 1600	1,084.78 €
2291100	4" / 110mm Side Mount MPV only	SMD / SMDD1600 - 2000 / SPDD1400 - 1600	1,686.97 €
2291105	4" / 110mm MPV with pipe kit. Special Request	SMD1600-2000	1,739.96 €



Part code: 2291100



Part code: 2290900



Part code: 2290905



Part code: 22905040

Waterco Pressure Gauges

Part Number	Product Description:	SUITS FILTER	Price
Side Mount			
62109	Pressure gauge back mount air filled - 400kPa / 60psi	Exotuf Exotuf Plus	42.00 €
W02703	Pressure gauge bottom mount air filled 400kPa	Fulflo / Trimline / Multicyclone	12.77 €
621632	Pressure gauge side mount liquid filled 400kPa	Micron / Opal / Aquabiome	48.26 €
621612	Pressure gauge bottom mount air filled 2.5Bar / 35psi	Lacron / Lacron Bead Filter	32.30 €
621621	Pressure gauge 110mm - 600kPa - Commercial filters	SMD / SMDD	280.74 €

Multicyclone

WAFI FICACIONE



Multicyclone

MULTI CYCLONE

CENTRIFUGAL WATER FILTRATION



MC12

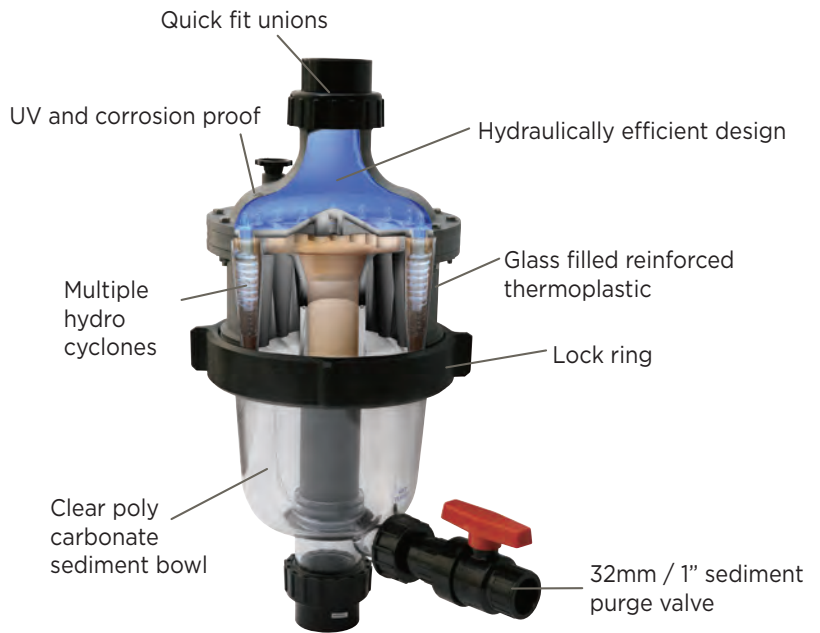


MC16

WATERCO MULTICYCLONE FILTER

Part No.	Product Description	Nom. Size	Price
200374	MultiCyclone MC12	1 1/2" / 50mm	379.50 €
200375	MultiCyclone MC16	2" / 63mm	488.75 €

For base stands please see page 19



Incoming water enters hydro-cyclones tangentially, generating a strong centrifugal effect. The sediment is spun out to the hydro-cyclone's wall, and then spirals down to the sediment chamber. The filtered water migrates towards the centre of the hydro cyclone where the flow reverses and spirals upwards through the outlet.

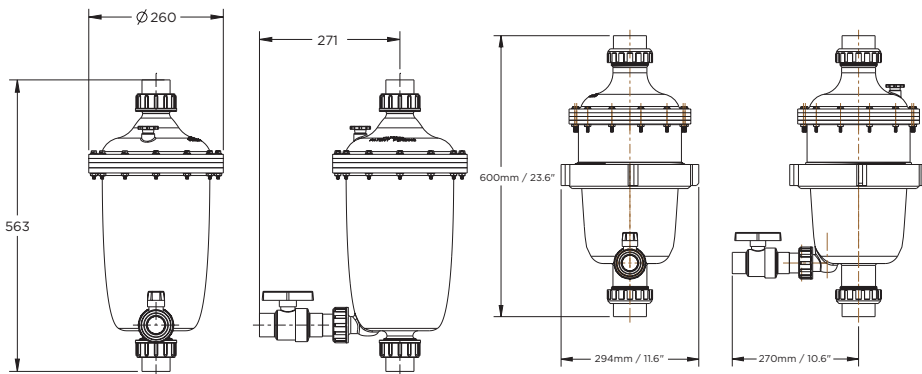
Accumulation of sediment can be visibly monitored through the MultiCyclone's clear sediment chamber.

The MultiCyclone is easily cleaned by opening the valve. Only 15 litres of water is discharged to cleanse the MultiCyclone.

MultiCyclone is easy to install and fits to most existing filtration systems. There are no moving parts to wear out and replace and it's backed by Waterco's 2 year warranty.

MC12

MC16



Specifications

Model	Hydrocyclones	Connection Ports	Minimum Flow	Maximum Flow	Maximum Pressure
MultiCyclone MC12	12	1 1/2" / 50mm	2.4m ³ /hr	18m ³ /hr	350 kPa (50psi) 3.5 bar
MultiCyclone MC16	16	2" / 63mm	3m ³ /hr	30m ³ /hr	350 kPa (50psi) 3.5 bar



Multicyclone



MULTI CYCLONE PLUS

CENTRIFUGAL WATER FILTRATION

WATERCO MULTICYCLONE FILTER

Part No.	Product Description	Nom. Size	Price
200380	MultiCyclone Plus MC12 c/w 40sqft. Cartridge	1½" / 50mm	724.50 €
200381	MultiCyclone Plus MC16 c/w 40sqft. Cartridge	2" / 63mm	862.50 €

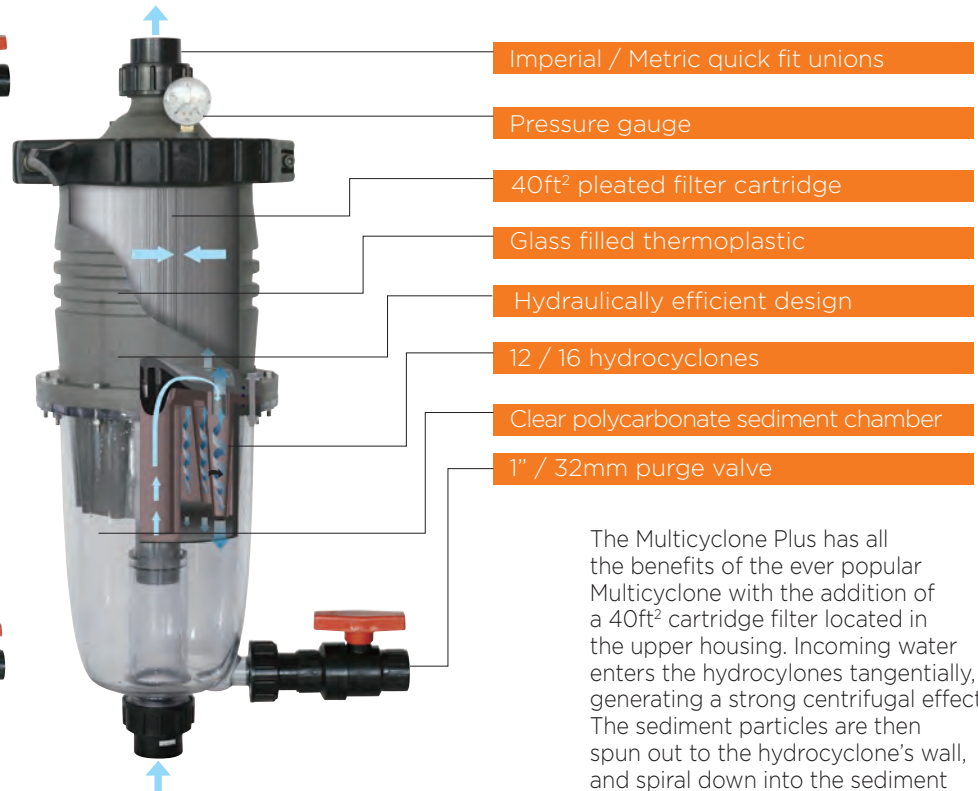
For replacement cartridges please see page 8 spares catalogue
For base stands please see page 19

Multi-cyclone

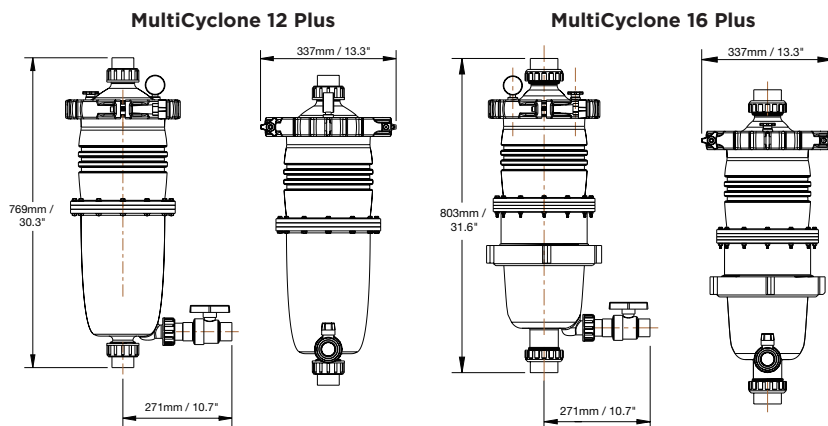
MC12 (40)



MC16 (40)



The Multicyclone Plus has all the benefits of the ever popular Multicyclone with the addition of a 40ft² cartridge filter located in the upper housing. Incoming water enters the hydrocyclones tangentially, generating a strong centrifugal effect. The sediment particles are then spun out to the hydrocyclone's wall, and spiral down into the sediment chamber. The filtered water then migrates towards the centre of the hydrocyclone where the water reverses and spirals upwards and through a 40ft² cartridge element before exiting the Multicyclone Plus. The addition of the cartridge element provides the highest standard of filtration possible with very little need for cleaning. The majority of the sediment is removed by the hydrocyclones. The sediment level can be visually monitored through the Multicyclones clear sediment bowl. The pressure gauge located at the top of the unit indicates when the cartridge requires cleaning. The cartridge can easily be removed by undoing the locking ring.



Specifications

Model	Hydrocyclones	Connection Ports	Minimum Flow	Maximum Flow	Filter Area	Maximum Pool Size	Maximum Pressure
MultiCyclone Plus MC12	12	1½" / 50mm	2.4m³/h	9m³/h	40ft² / 3.7m²	55m³	350 kPa (50psi) 3.5 bar
MultiCyclone Plus MC16	16	2" / 63mm	3m³/h	9m³/h	40ft² / 3.7m²	80m³	350 kPa (50psi) 3.5 bar

Multicyclone

MULTI CYCLONE ULTRA

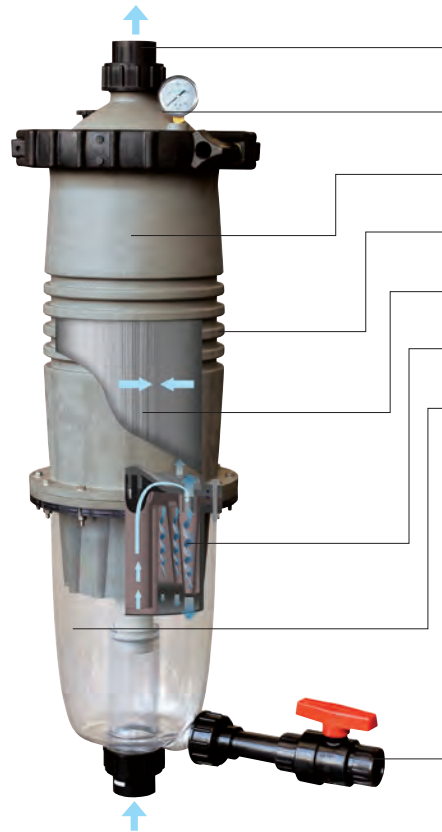
CENTRIFUGAL WATER FILTRATION



MC12 (75)



MC16 (75)

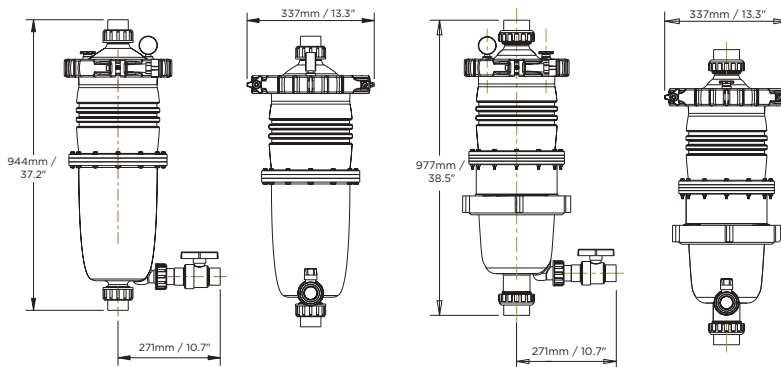


- Imperial / Metric quick fit unions
- Pressure gauge
- Hydraulically efficient design
- Glass filled thermoplastic
- 75ft² pleated filter cartridge
- 12 / 16 hydrocyclones
- Clear polycarbonate sediment chamber
- 1" / 32mm purge valve

The Multicyclone Ultra has all the benefits of the ever popular Multicyclone with the addition of a 75ft² cartridge filter located in the upper housing. Incoming water enters the hydrocyclones tangentially, generating a strong centrifugal effect. The sediment particles are then spun out to the hydrocyclone's wall, and spiral down into the sediment chamber. The filtered water then migrates towards the centre of the hydro cyclone where the water reverses and spirals upwards and through a 75ft² cartridge element before exiting the Multicyclone Ultra. The addition of the cartridge element provides the highest standard of filtration possible with very little need for cleaning. The majority of the sediment is removed by the hydrocyclones. The sediment level can be visually monitored through the Multicyclones clear sediment bowl. The pressure gauge located at the top of the unit indicates when the cartridge requires cleaning. The cartridge can easily be removed by undoing the locking ring.

MultiCyclone 12 Ultra

MultiCyclone 16 Ultra



Specifications

Model	Hydrocyclones	Connection Ports	Minimum Flow	Maximum Flow	Filter Area	Maximum Pool Size	Maximum Pressure
MultiCyclone Ultra MC12	12	1 1/2" / 50mm	2.4m ³ /h	13.5m ³ /h	75ft ² / 6.9 m ²	81m ³	3.5 bar 350 kPa (50psi)
MultiCyclone Ultra MC16	16	2" / 63mm	3m ³ /h	16.8m ³ /h	75ft ² / 6.9 m ²	100m ³	3.5 bar 350 kPa (50psi)

Multicyclone



7 BAR

MULTI CYCLONE PRO

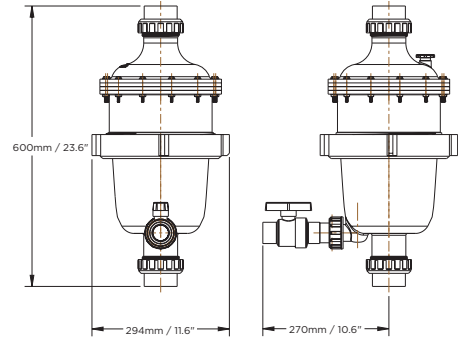
INDUSTRIAL CENTRIFUGAL WATER FILTRATION

WATERCO MULTICYCLONE FILTER

Part No.	Product Description	Nom. Size	Price
200386	MultiCyclone Pro 7 bar pre-filter	2" / 63mm	1,470.28 €

The MultiCyclone Pro has all the benefits of the standard MultiCyclone model with the added benefit of being able to withstand higher pressure. Rated to 7 bar the MultiCyclone Pro is specifically designed for the more demanding industrial market.

Manufactured using UV and corrosion resistant glass-filled reinforced thermoplastic the MultiCyclone Pro offers all water saving benefits of our MultiCyclone technology together with the strength and durability necessary for an industrial installation.



Specifications

Model	Hydrocyclones	Connection Ports	Minimum Flow	Maximum Flow	Maximum Pressure
MultiCyclone Pro	16	2" / 63mm	3m ³ /hr	30m ³ /hr	690 kPa (100psi) 7bar



MultiCyclone Base (Standard)
Dimensions: 360mm (H) x 360mm (W) x 329mm (D).

WATERCO MULTICYCLONE BASE STANDS

Part No.	Product Description	Price
200372	MultiCyclone Base (Standard)	99.25 €
2003730	MultiCyclone Over Pump Stand (not suitable for MC Pro)	168.09 €

MultiCyclone base stands are suitable for:

- MultiCyclone 12 & 16
- MultiCyclone Plus 12 & 16
- MultiCyclone Ultra 12 & 16
- MultiCyclone Pro (standard base only)



Over Pump Stand
Dimensions:
795mm (H) x
440mm (W) x
350mm (D)



Multi-cyclone

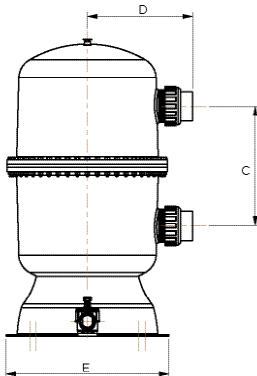
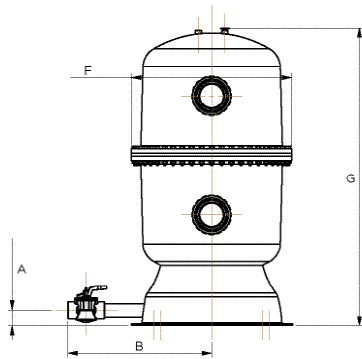
Multicyclone

Multi-cyclone



The MultiCyclone Commercial 70XL is the latest addition to the MultiCyclone range. Although very different in appearance to the previously released models, this unit still has all the water and energy saving benefits of the standard MultiCyclone model. Specifically designed for commercial installations, the MultiCyclone Commercial XL70 has 4" / 110mm ports and uses 70 cyclones allowing it to function with a flow rate of 90m³/hr.

The debris can be seen through the clear sight glass and flushed out of the purge valve.

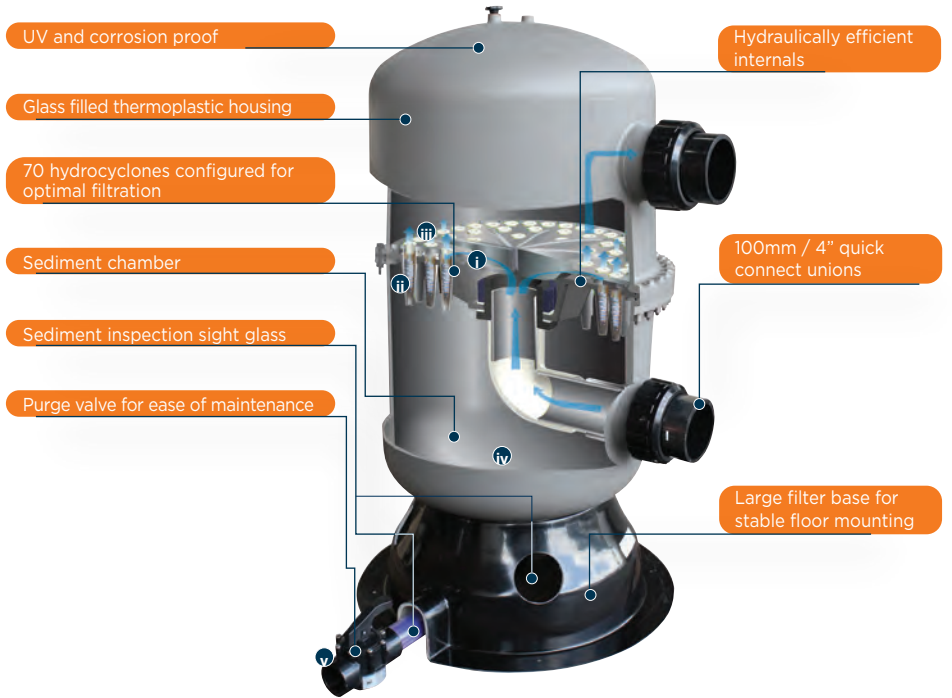


MULTI CYCLONE 70 XL COMMERCIAL

COMMERCIAL CENTRIFUGAL WATER FILTRATION

WATERCO MULTICYCLONE FILTER

Part No.	Product Description	Nom. Size	Price
200393	MultiCyclone 70 XL Commercial	4"/110mm	3,697.17 €



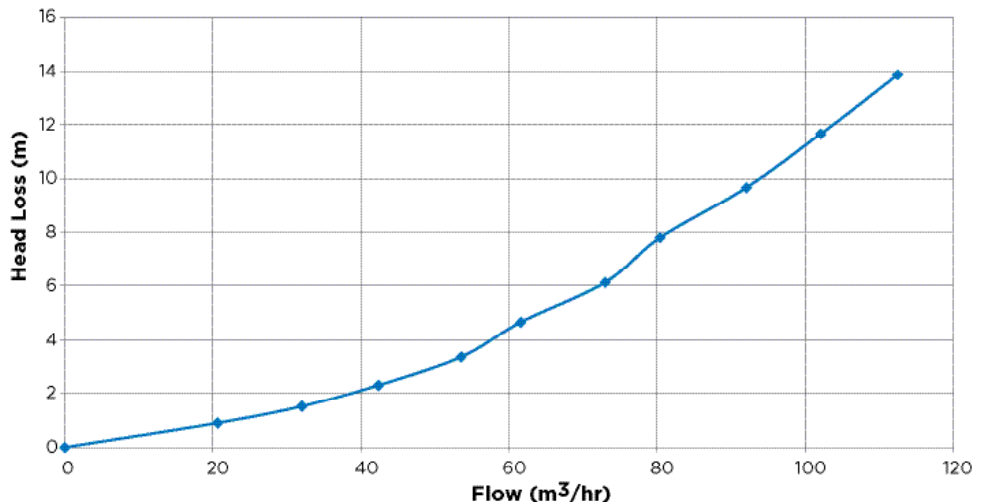
Specifications

Model	Connection Ports	Minimum Flow	Maximum Flow	Maximum Pressure
MultiCyclone 70 XL Commercial	4" /110mm	36m ³ /hr	90m ³ /hr	3.5 bar 350 kPa (50psi)

Dimensions (mm)

Model	A	B	C	D	E	F	G
MultiCyclone Commercial Pre-Filter	710	654	542.5	478.5	740	730	1359

MultiCyclone 70XL Head Loss Curve



Filters

Filters



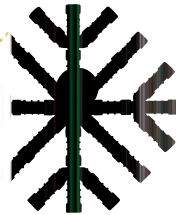
WATERCO
water, the liquid of life

General Filters



Filters

In a conventional lateral system “Dead legs” exist between the laterals and water flow is not optimised through the filter bed. Waterco’s “Fish Tail” lateral configuration eliminates any “dead legs” by improving water flow distribution through the filter bed. The lateral design significantly improves filtration and reduces backwash times, ultimately saving water. This system is now standard on the Micron range.



Filament Wound Filters

Micron fibreglass filters embody the latest in fibreglass winding technology. Micron fibreglass vessels consist of an inner shell of fibreglass reinforced polyester resin wound over with fibreglass filament. Waterco’s digitally controlled filament winding machine faultlessly winds continuous strands of high quality fibreglass filament under controlled tension to create a seamless one-piece vessel with refined consistency and superior quality. There are no welds or seams or special tank linings which can corrode or electrolyse.



WATERCO MICRON TOP MOUNT BOBBIN WOUND SAND FILTERS - 2.5 bar pressure rating

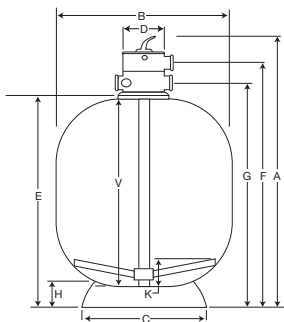
Part No.	Product Description	Nom. Size	Price
With Multiport Valve & Barrel Unions. MPV supplied with both metric and imperial quick connect unions			
K220122DP	S500 c/w 1½" MPV	20"	792.71 €
K220124DP	S600 c/w 1½" MPV	24"	945.48 €
K22012625IDP	S602 c/w 2" MPV	24"	1,018.25 €
K220128DP	S700 c/w 1½" MPV	28"	1,117.33 €
K220129DP	S702 c/w 2" MPV	28"	1,308.38 €
K220130DP	S750 c/w 2" MPV	30"	1,556.68 €
K220132DP	S800 c/w 2" MPV	32"	1,553.26 €
K220136DP	S900 c/w 2" MPV	36"	1,684.29 €

Technical Specification

Model No.	Inner Dia. (mm)	Bed Depth (mm)	Filter Area (m ²)	Valve Size (in/mm)	Sand 16/30 (Kg)	EcoPure (Kg)	Glass Pearls (Kg)	Dom. flow (m ³ /hr)	Max. Pool Size (m ³)	Com. flow (m ³ /hr)	Min. Pool Size (m ³)
S500	500	280	0.20	1.5/50	95	78	105	9.4	57	7.1	28
S600	600	295	0.28	1.5/50	155	127	171	13.6	83	10.2	41
S602	600	295	0.28	2/63	155	127	171	13.6	83	10.2	41
S700	700	330	0.38	1.5/50	230	189	254	18.5	115	13.9	56
S702	700	340	0.38	2/63	230	185	249	18.5	115	13.9	56
S750	750	340	0.44	2/63	260	214	288	21.2	132	15.9	64
S800	800	420	0.50	2/63	340	279	376	24.1	144	18.1	72
S900	900	420	0.64	2/63	470	386	520	30.5	183	22.9	92

Dimension (mm)

Model	A	B	C	D	E	F	G	H	V	K
S500	864	505	484	180	625	731	672	88	525	94
S600	968	622	484	180	721	832	778	88	620	136
S602	1085	622	484	220	735	905	778	88	620	143
S700	932	723	620	180	692	801	743	90	650	139
S702	1072	723	620	220	722	892	792	90	652	122
S750	1217	772	620	220	867	1037	937	90	773	127
S800	1157	810	620	220	807	977	877	90	713	111
S900	1234	910	620	220	884	1054	954	90	785	163



CLIMATECARE
CERTIFIED

* in conjunction with
Glass Pearls media

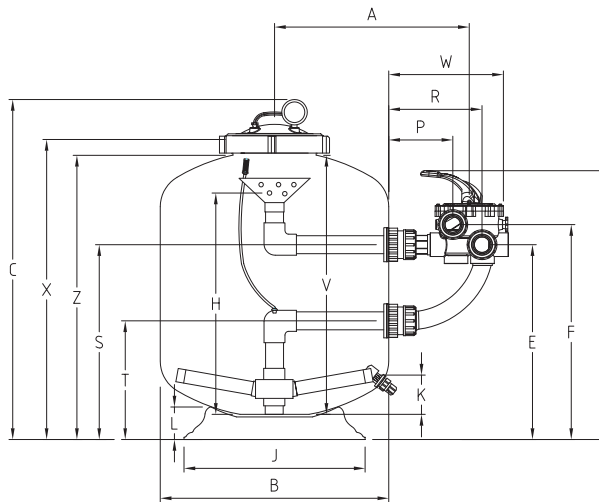
General Filters



WATERCO MICRON SIDE MOUNT BOBBIN WOUND SAND FILTERS - 2.5 bar pressure rating

Part No.	Product Description	Nom. Size	Price
Filters with 8" neck lock ring c/w Multiport Valve & Barrel Unions. MPV supplied with both metric and imperial quick connect unions.			
K22000820EU	SM500 c/w 1/2" MPV	20"	1,021.15 €
K22000824EU	SM600 c/w 1/2" MPV	24"	1,119.65 €
K22005824EU	SM602 c/w 2" MPV	24"	1,172.27 €
K22000828EU	SM700 c/w 2" MPV	28"	1,343.45 €
K220003830EU	SM750 c/w 2" MPV	30"	1,747.60 €
K22000836EU	SM900 c/w 2" MPV	36"	2,301.56 €

See commercial section for larger size Side Mount Filters up to 2.5m (98")



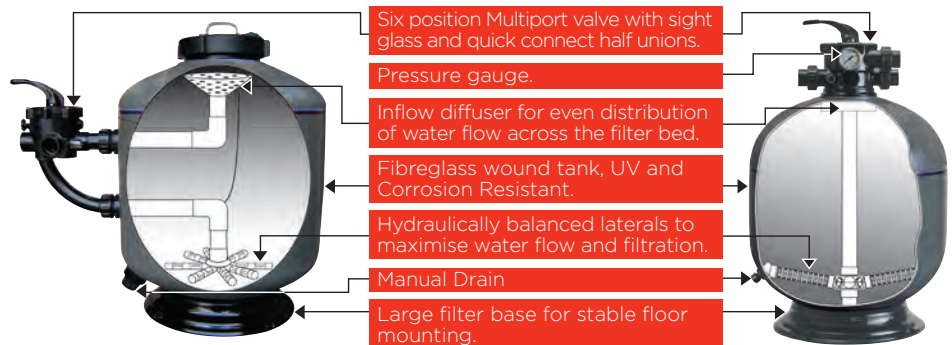
Technical Specification

Model No.	Inner Dia. (mm)	Bed Depth (mm)	Filter Area (m ²)	Valve Size (r/mm)	Sand 16/30 (Kg)	EcoPure (Kg)	Glass Pearls (Kg)	Dom. flow (m ³ /hr)	Max. Pool Size (m ²)	Com. flow (m ³ /hr)	Min. Pool Size (m ²)
SM500	500	290	0.20	1.5/50	95	78	105	9.4	56	7.1	43.2
SM600	600	360	0.28	1.5/50	165	136	183	13.6	81	10.2	60.5
SM602	600	360	0.28	2/63	165	136	183	13.6	81	10.2	60.5
SM700	700	380	0.38	2/63	240	197	265	18.5	111	13.9	82.1
SM750	750	400	0.44	2/63	285	234	315	21.2	127	15.9	95.0
SM900	900	440	0.64	2/63	440	362	487	30.5	183	22.9	138.2

Dimension (mm)

Model	A	B	C	W	R	P	E	F	K	H	L	X	Y	Z	J	S	T	V
SM500	475	520	846	306	249	153	594	649	100	585	70	743	790	715	445	485	282	652
SM600	526	622	906	306	249	153	629	684	105	601	88	804	825	778	540	520	317	690
SM602	526	622	906	306	249	171	520	574	105	601	87	873	718	800	484	520	317	690
SM700	587	719	981	334	262	178	520	601	120	685	90	905	750	835	620	520	317	728
SM750	613	772	976	334	262	178	593	674	113	652	120	914	823	892	678	593	390	763
SM900	689	923	1086	334	262	178	656	737	113	750	120	1030	886	1011	678	656	453	860

Waterco Micron Top and Sidemount Fibreglass Filters



Waterco Side Mount Fibreglass Filter

Micron Top Mount Fibreglass Filter



CLIMATECARE CERTIFIED

* in conjunction with Glass Pearls media

Filters

General Filters



Filters

LACRON SUREFLOW LSR - SIDE MOUNT SAND FILTER c/w MPV - 2.5 bar pressure rating

Part No.	Product Description	Nom. Size	Price
With Multiport Valve - Unions & Pressure Gauge			
K222018N	LSR - 18 c/w 1 1/2" MPV (50mm)	18"	1,002.72 €
K222020N	LSR - 20 c/w 1 1/2" MPV (50mm)	20"	1,116.68 €
K222024N	LSR - 24 c/w 1 1/2" MPV (50mm)	24"	1,255.91 €
K222030N	LSR - 30 c/w 2" MPV (63mm)	30"	2,100.97 €

LACRON SUREFLOW LSR - No MPV - 2.5 bar pressure rating

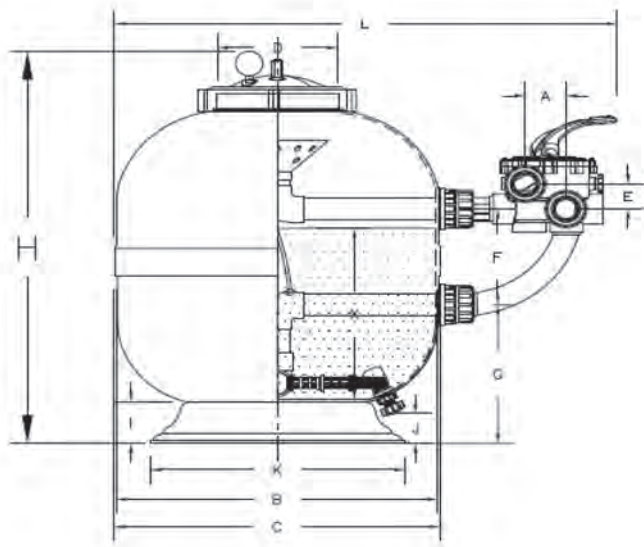
Part No.	Product Description	Nom. Size	Price
With Connecting Pipes & Pressure Gauge - No MPV			
222018N	LSR - 18 1 1/2" Connections (50mm) - No MPV	18"	885.92 €
222020N	LSR - 20 1 1/2" Connections (50mm) - No MPV	20"	1,031.98 €
222024N	LSR - 24 1 1/2" Connections (50mm) - No MPV	24"	1,139.11 €
222030N	LSR - 30 2" Connections (63mm) - No MPV	30"	1,929.12 €
222361	LSR - 36 2" Connections (63mm) - - No MPV - No pipeset	36"	2,832.96 €

Technical Specification

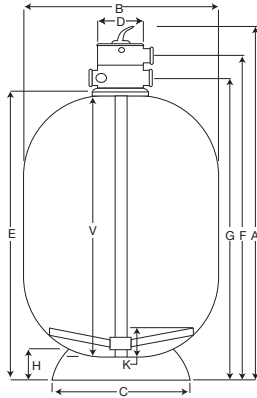
Filter model	Tank Diameter (mm)	Bed Depth (mm)	Filter Area (m ²)	Valve Size (inch/mm)	Pea Gravel (kg)	Sand (kg)	EcoPure (Kg)	Glass Pearl (Kg)	Max. flow (m ³ /hr)	Max. Pool size (m ³)
LSR-18	460	350	0.17	1.5/50	NR	75	62	83	8.5	50
LSR-20	500	365	0.20	1.5/50	NR	100	82	111	10	60
LSR-24	610	380	0.30	1.5/50	NR	125	103	138	14.5	85
LSR-30	760	400	0.46	2/63	50	150	125	165	22.5	130
LSR-36	900	500	0.66	2/63	75	300	225	330	27	160

Dimension (mm)

Model	A	B	C	D	E	F	G	H	I	J	K	L	X
LSR-18	78	457	475	270	54	204	240	763	70	65	372	795	350
LSR-20	78	512	520	270	54	204	265	802	70	60	372	840	365
LSR-24	78	610	625	270	54	204	295	836	88	70	485	945	380
LSR-30	70	762	784	270	81	214	290	876	90	70	620	1100	400
LSR-36	128	910	925	270	110	300	303	1072	80	65	735	1385	500



General Filters



LACRON SUREFLOW TMV - TOP MOUNT SAND FILTER 2.5 bar Pressure rating

Part No.	Product Description	Nom. Size	Price
	MPV supplied with both metric and imperial quick connect unions, pressure gauge and air relief valve		
K2220180	TMV-18 c/w MPV 1/2" (50mm)	18"	837.32 €
K2220200	TMV-20 c/w MPV 1/2" (50mm)	20"	966.96 €
K2220240	TMV-24 c/w MPV 1/2" (50mm)	24"	1,170.83 €

Technical Specification

Filter model	Tank Diameter (mm)	Bed Depth (mm)	Filter Area (m ²)	Valve Size (inch/mm)	Pea Gravel (kg)	Sand (kg)	EcoPure (Kg)	Glass Pearl (Kg)	Max. flow (m ³ /hr)	Max. Pool size (m ³)
TMV-18	460	350	0.17	1.5/50	NR	75	62	83	8.5	50
TMV-20	500	365	0.20	1.5/50	NR	100	82	111	10.0	60
TMV-24	610	380	0.30	1.5/50	NR	125	103	138	14.5	85

Dimension (mm)

Model	A	B	C	D	E	F	G	H	V	K
TMV-18	875	457	372	180	635	745	687	70	570	100
TMV-20	926	512	372	180	688	798	740	70	585	100
TMV-24	972	610	485	180	734	844	786	88	660	100

LACRON PURE LSR - SIDE MOUNT SAND FILTER c/w MPV - 2.5 bar pressure rating

Part No.	Product Description	Nom. Size	Price
	With Multiport Valve - Unions & Pressure Gauge		
K2220208L	LSR Pure - 20 c/w 1/2" (50mm) MPV	20"	1,332.88 €
K2220248L	LSR Pure - 24 c/w 1/2" (50mm) MPV	24"	1,442.97 €
K2220308L	LSR Pure - 30 c/w 2" (63mm) MPV	30"	1,909.52 €



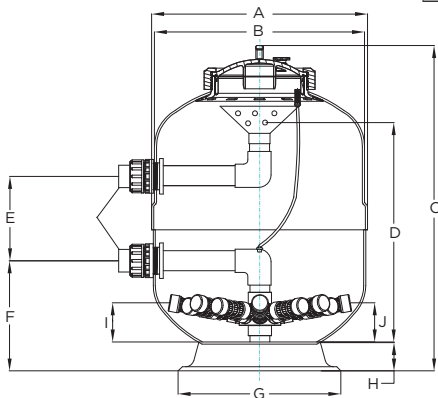
- Optional Sight Glass (P.O.A.)
- Dual drain plug
- Large clear lid and lock ring
- Fish tail lateral design

Technical Specification

Filter model	Tank Diameter (mm)	Bed Depth (mm)	Filter Area (m ²)	Valve Size (inch/mm)	Pea Gravel (kg)	Sand (kg)	EcoPure (Kg)	Glass Pearl (Kg)	Max. flow (m ³ /hr)	Max. Pool size (m ³)
LSR Pure 20	500	365	0.20	1.5/50	NR	100	82	111	10	60
LSR Pure 24	610	380	0.30	1.5/50	NR	125	103	138	14.5	85
LSR Pure 30	760	400	0.46	2/63	20	200	164	221	22.5	130

Dimension (mm)

Model	A	B	C	D	E	F	G	H	I	J
LSR Pure 20	875	512	802	529	203	265	372	70	95	95
LSR Pure 24	926	610	836	545	203	220	485	88	94	94
LSR Pure 30	972	762	876	564	214	290	620	90	115	115



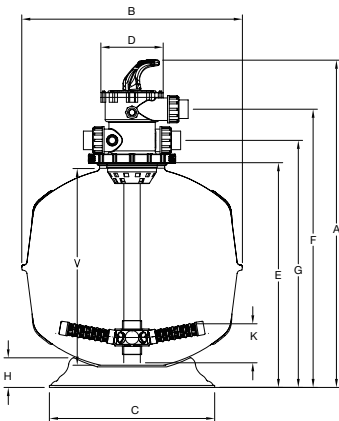
Filters

General Filters



Filters

Manufactured from the highest grade of non-corrosive materials and applying precision plastic injection moulding techniques, Exotuf filters are built for long lasting performance.



WATERCO EXOTUF THERMOPLASTIC TOP MOUNT SAND FILTERS

Part No.	Product Description	Price
	With 1/2" Clamp Style Multiport Valve & Barrel Unions MPV supplied with both 50mm metric and 1/2" imperial quick connect unions.	
K2260166DP	E400 c/w 1/2" (50mm) valve (2.5bar rated)	16" 455.72 €
K2260186DP	E450 c/w 1/2" (50mm) valve (2.5bar rated)	18" 502.28 €
K2260206DP	E500 c/w 1/2" (50mm) valve (3.5bar rated)	20" 611.79 €
K226024649	E600 c/w 1/2" (50mm) valve (3.5bar rated)	24" 759.49 €

Technical Specification

Model No.	Valve Size	Inner Dia.	Filter Area	Bed Depth	Max. Flow*	Max. Pool Size	Min. Backwash	Sand 16/30	EcoPure Glass	Glass Pearl
	("/mm)	(mm)	(sq. m ²)	(mm)	(m ³ /h)	(m ³)	(m ³ /h)	(kg)	(kg)	(kg)
E400	1 1/2 / 50	400	0.13	160	6	36	5.6	40	30	44
E450	1 1/2 / 50	450	0.16	250	7	45	7.1	75	60	83
E500	1 1/2 / 50	500	0.20	250	8	57	8.8	90	70	100
E600	1 1/2 / 50	600	0.28	250	14	81	11.5	130	105	140

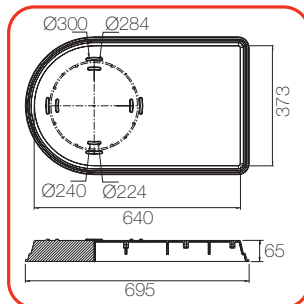
Dimension (mm)

Model	Valve Size	A	B	C	D	E	F	G	H	V	K
E400	1 1/2" / 50mm	775	460	280	180	530	642	584	34	481	89
E450	1 1/2" / 50mm	840	504	280	180	595	707	649	30	530	112
E500	1 1/2" / 50mm	905	550	484	182	618	762	671	88	522	108
E600	1 1/2" / 50mm	942	650	484	182	655	799	708	88	546	115

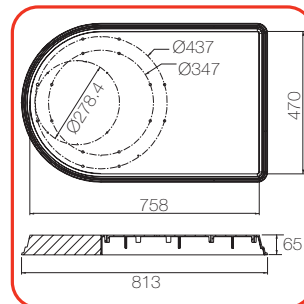


MOULDED SKID BASES - (both sizes suit all Cartridge Filters)

Part No.	Product Description	Price
455567	Moulded Skid Base suit E400, E450	75.96 €
455573	Moulded Skid base suit E500 & E600	90.02 €



(to suit E400, E450)



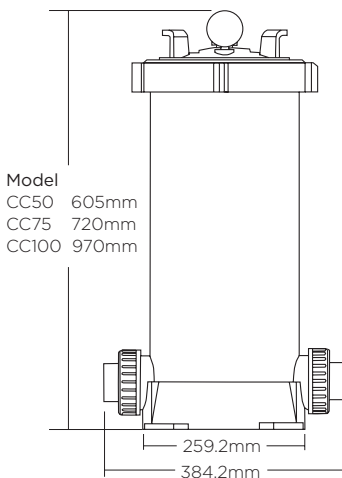
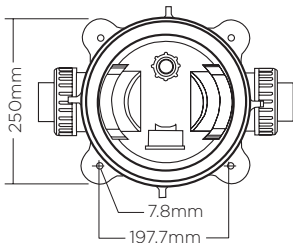
(to suit E500, E600)

General Filters



Trimline cartridge filters are compact, economical filters designed to effectively filter out suspended solids from your pool or body of water.

Trimline cartridge filters utilise a specially treated synthetic fabric which is pleated into a cartridge. Cartridge filters are ideal for applications where backwashing may not be practical.



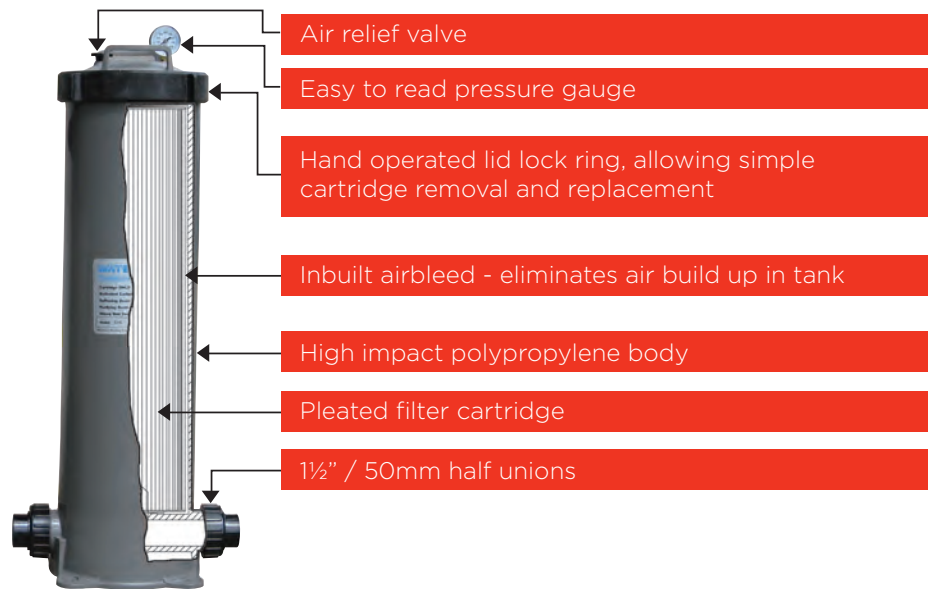
WATERCO TRIMLINE CARTRIDGE FILTERS - 3.5 bar pressure rating

Part No.	Product Description	Nom. Size	Price
	Filter supplied with both 1/2" imperial and 50mm metric quick connect unions.		
21450EU	Trimline CC50 incl. cartridge	50 sq.ft	420.67 €
21475EU	Trimline CC75 incl. cartridge	75 sq.ft	525.93 €
214100EU	Trimline CC100 incl. cartridge	100 sq.ft	654.35 €

N.B. For replacement cartridges please see p.20 spares catalogue

Specifications

Model	Maximum Area m ²	Dom. flow m ³ /hr	Working Pressure		Max. Pool Size m ³	Overall Weight kg
			bar	psi		
CC50	4.6	11.4	3.5	50	68.4	8.6
CC75	6.9	16.8	3.5	50	100.8	10.5
CC100	9.3	22.8	3.5	50	136.8	14.0



Trimline Pleated Filter Cartridge

The Trimline pleated filter cartridges are fabricated from pleated reusable polyester fabric. The media has been pleated to provide 4.6 to 9.3 square metres of surface area in order to maximise the cartridge dirt holding capacity and extend the time between cleaning.

Material : Polyester Fabric material, Vinyl Plastisol end caps and a Polypropylene core

Operating Temperature : 4 °C to 50 °C

Maximum Pressure Drop : 0.2 bar/3psi

Simple Maintenance

The filter cartridge is easily cleaned by hosing the pleats with a standard garden hose.



General Filters



Filters

Constructed from high impact polypropylene and designed for easy maintenance, Opal XL cartridge filters house an extra large filter cartridge to maximise its dirt holding capacity and minimise filter maintenance, leading to significant water savings.

- The screw-down lid requires no clamps or tools for simple cartridge removal and replacement
- 2" / 63mm inlet and outlet ports for maximum flow and minimum back pressure
- Heavy duty extra large pleated filter cartridge

OPAL XL CARTRIDGE FILTER 3.5 bar pressure rating

Part No.	Product Description	Nom. Size	Price
217225EUM	Opal XL Cartridge Filter 225	225 sq.ft	1,020.20 €
217270EUM	Opal XL Cartridge Filter 270	270 sq.ft	1,162.51 €

N.B. For replacement cartridges please see p.22 spares catalogue

Specifications

Model	Filter Area		Max Flow Rate	Working Pressure		Max Pool Size
	(m ²)	(ft ²)	m ³ /h	bar	psi	m ³
Opal 225	20.9	225	30	3.5	50	183
Opal 270	25.1	270	30	3.5	50	183

Extra Large Filter Cartridge

Opal XL filter cartridges are fabricated from pleated reusable polyester fabric. The XL larger size cartridge has been pleated to provide 225ft² (20.9m²) to 270ft² (25.1m²) of surface area maximising its dirt holding capacity and minimising filter maintenance.

Material : Polyester Fabric material, Vinyl Plastisol end caps and a Polypropylene core

Operating Temperature : 4°C to 50°C

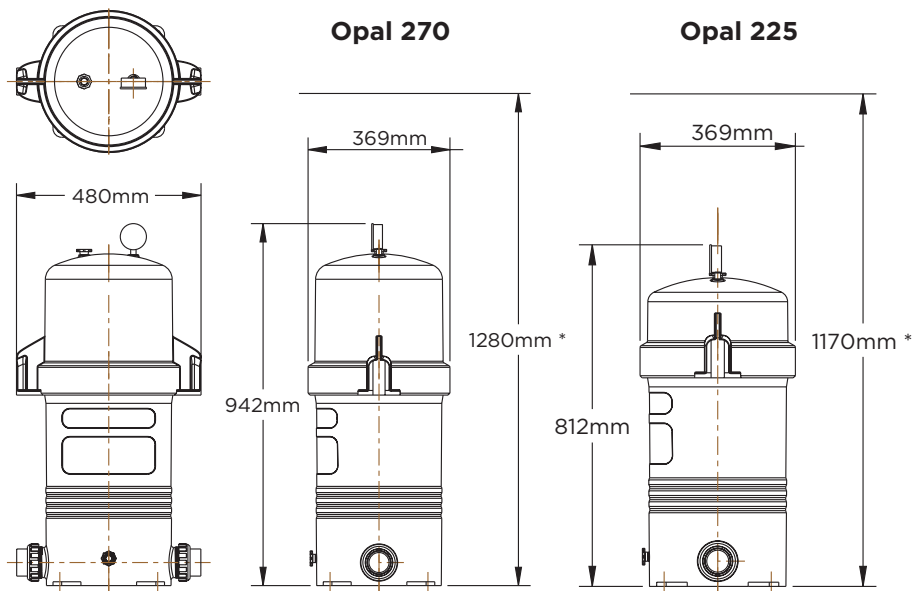
Maximum Pressure Drop : 0.2 bar/3 psi



Simple Maintenance

The filter cartridge is easily cleaned by hosing the pleats with a standard garden hose.

Dimensions



* Minimum Clearance Height to Remove Cartridge

General Filters



Fulflo Tri-cartridge filter houses three individual pleated filter cartridges, to maximise its dirt holding capacity and minimise filter maintenance, leading to significant water savings.

Built to endure the rigours and pressures of the outdoor environment, Fulflo Tri-Cartridge Filters are made from specially engineered polymers that have been tested for durability and strength.

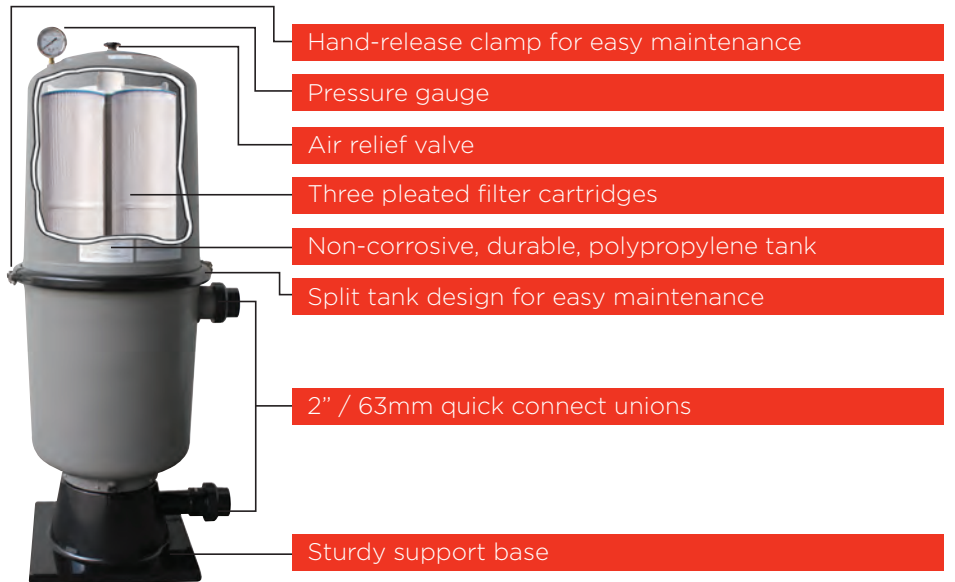
Maintenance

The Tri-Cartridge Filter's split tank design incorporates an easy to use clamp that requires no additional tools for simple cartridge removal and replacement, allowing for quick access to the filter cartridge without disturbing the piping and connections.

WATERCO TRI-CARTRIDGE FILTERS

Part No.	Product Description	Nom. Size	Price
2165300EU	Fulflo Tri-Cartridge Filter C300	300 sq ft	1,480.30 €
2165400EU	Fulflo Tri-Cartridge Filter C400	400 sq ft	1,673.30 €
2165500EU	Fulflo Tri-Cartridge Filter C500	500 sq ft	1,909.35 €

N.B. For replacement cartridges please see p.26 spares catalogue



Filters

Filter Cartridge

At the heart of the Fulflo Tri-Cartridge Filters are three individual filter cartridges, constructed from heavy duty, easy-to-clean polyester fabric. The cartridge pleats create a large surface area providing a high dirt holding capacity, thus decreasing its cleaning frequency.



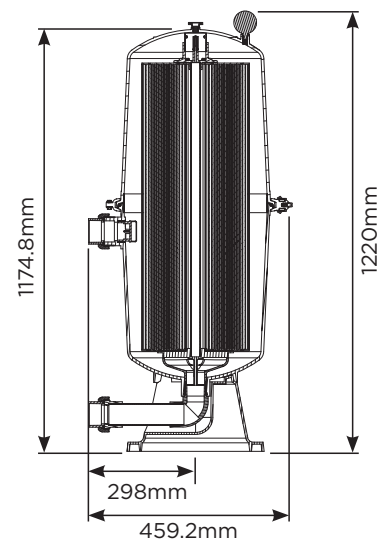
Material : Polyester Fabric material, Vinyl Plastisol end caps and a Polypropylene core

Operating Temperature : 4°C to 50°C

Maximum Pressure Drop : 0.2 bar/3psi

Specifications

Model No.	Filter Area	Filter Area	Design FlowRate (m ³ /h)	Max. Pool Size (m ³)	Max. Working	
	(sq.ft.)	(m ²)			(Bar)	(psi)
2165300	300	28	26	152	3.5	50
2165400	400	37	31	186	3.5	50
2165500	500	46	31	186	3.5	50



General Filters



Filters

LEAF TRAPPER

Part No.	Product Description	Nom. Size	Price
3761053EUM	Trimline C50 Leaf Trapper <i>(please note: filter bags must be ordered separately if required)</i>	2"/63mm	410.53 €
36519265	Filter Bag (800 Micron) <i>(please note: other bags available, see p102 for details & pricing)</i>		53.56 €

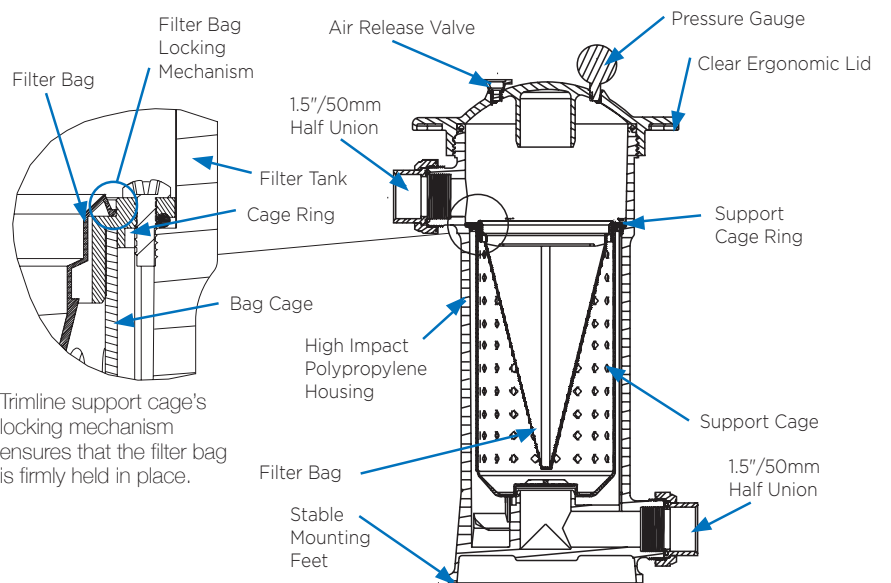
Waterco has developed a Leaf Trapper that incorporates a high quality and durable bag filter that enables high volume leaf & debris capture. The lid is clear for quick visual inspection of the Leaf Trapper's filter bag. The C50 Leaf Trapper is ideal for installation in areas of high leaf & debris collection prior to a pool's finer filtration system. The C50 Leaf Trapper is compact & economical, perfect for negative edge pools and infloor cleaning systems.

Leaf Trapper

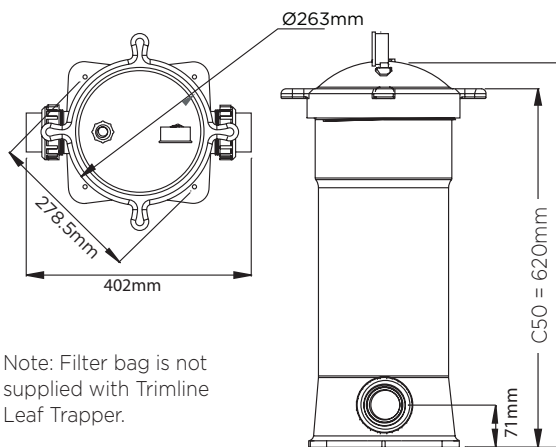
The Leaf Trapper housings are constructed from high impact polypropylene and a clear polycarbonate lid, providing a strong and durable filter. The design of the ergonomic screw down lid enables simple hand operation and quick filter bag cleaning or replacement.

Leaf Trapper Filter Bag

Its large filter bag is made of high strength and durable nylon, plus it's easy to clean. The 800 micron bag allows a full flow of water with minimal resistance, and it has a holding capacity of approximately four times the usual leaf and debris holding capacity of a standard pool skimmer leaf basket.



Dimension



Specification

LEAF TRAPPER SPECIFICATIONS		
Maximum flow rate	20.4m ³ /hr	75gpm
Required clearance for servicing	530mm	20.9"
Maximum pressure	350kPa	50psi
Maximum temperature	40°C	100°F

FILTER BAG SPECIFICATIONS		
Surface area	0.17m ²	1.85ft ²
Diameter	178mm	7"
Length	419mm	16.5"

FILTER BAG PRODUCT CODE		
36519265	Manufactured with nylon	800 microns

Commercial Filters

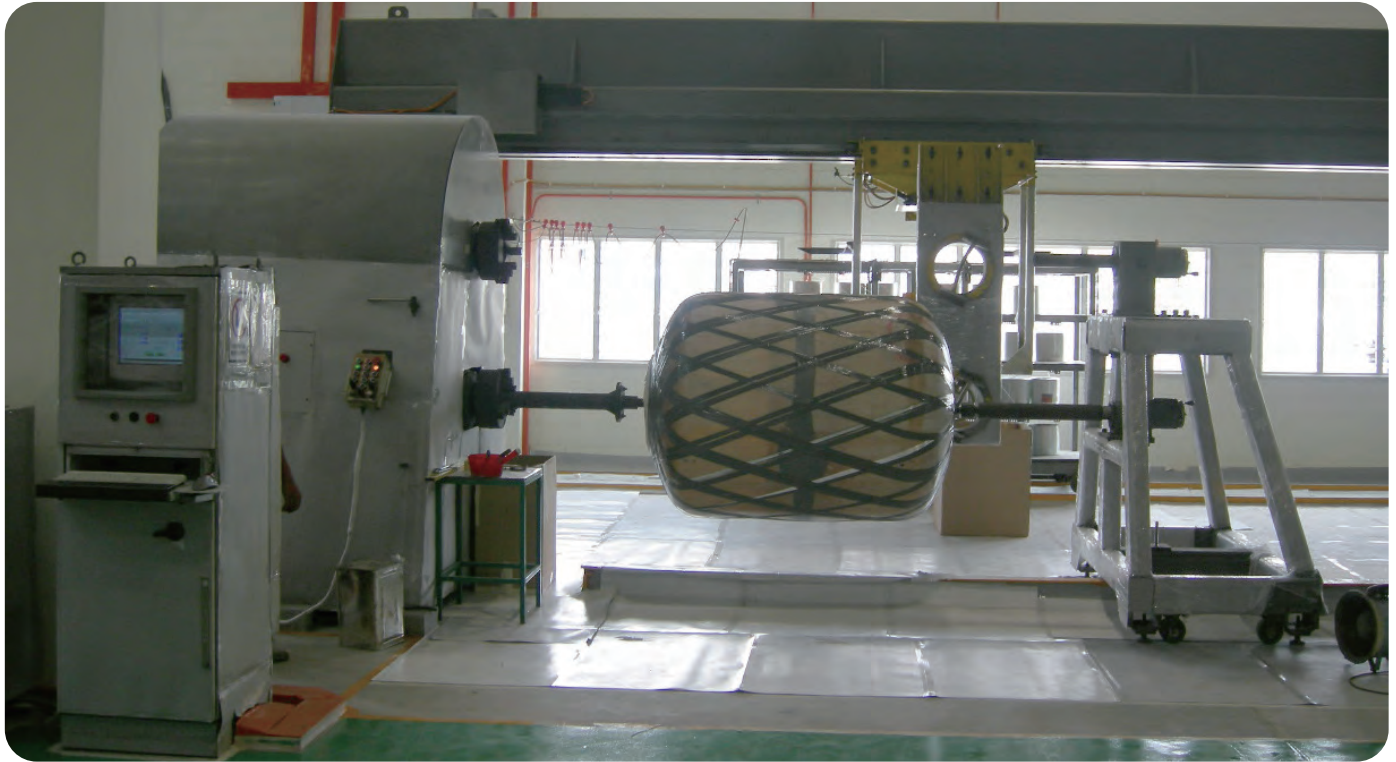
Commercial
Filters



WATERCO
water, the liquid of life

Commercial Filters

Commercial Filters



Micron fibreglass filters

Micron fibreglass filters embody the latest in fibreglass winding technology. Waterco's digitally controlled filament winding machine faultlessly winds continuous strands of high quality fibreglass filament under controlled tension to create a seamless one-piece vessel with refined consistency and superior quality. There are no welds or seams or special tank linings which can corrode or electrolyse.

Waterco's quality control procedures ensure that the structural requisites of the product are achieved at every stage of production. This results in a 100% compliance of the end product with the specifications.

The design and the manufacturing process of the whole vessel, utilising the latest filament winding machines, incorporation of non-metallic fittings plus reinforced manhole openings with proprietary methods, is unique to Waterco.

Why fibreglass instead of steel?

Using non-metallic components fibreglass pressure tanks are rapidly replacing steel tanks in numerous applications. Fibreglass vessels offer several advantages in comparison with steel vessels.

Fibreglass vessels have a mechanical and chemical resistance superior to steel. Fibreglass tanks do not rust or corrode and are able to withstand damage from many types of water treatment chemicals.



Corroded metal fabricated filters



Fibreglass SMDD filters

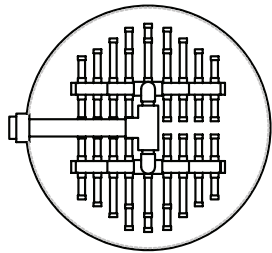
Fibreglass vessels weigh only one third of the weight of steel vessels while maintaining the same level of strength. Their weight makes them easier to ship to the job site and easier to install.

Once installed there are virtually no maintenance or repairs required. Steel vessels require the anti-corrosive coating to be maintained periodically and certified welders to make repairs to the lining with expensive epoxy coating.

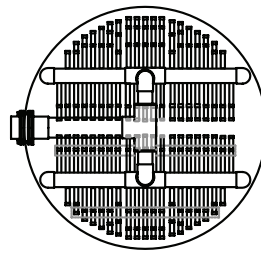
Commercial Filters

Micron “Fish Tail” laterals

Conventional laterals are not suitable for larger sized commercial filters. “Dead legs” exist between the laterals and water flow is not optimised through the filter bed. Waterco’s “Fish Tail” lateral configuration eliminates any “dead legs” by improving water flow distribution through the filter bed.



Commercial vertical filters with 3” / 90mm ports



Commercial vertical filters with 4”/110mm, 6”/160mm, 8”/215mm ports



Automatic Air vent fitted to SMDD/ SPDD Micron filters as standard:

The combination air valve has the features of both an air release valve and an air & vacuum valve. The air release component of the combination air valve was designed to automatically release small pockets of air into the atmosphere as they accumulate along a pipeline or piping system when it is full and operating under pressure. The air & vacuum component was designed to automatically discharge or intake large volumes of air in during the filling or draining of a pipeline or piping system. This valve will open to relieve negative pressures whenever water column separation occurs.

Main Features

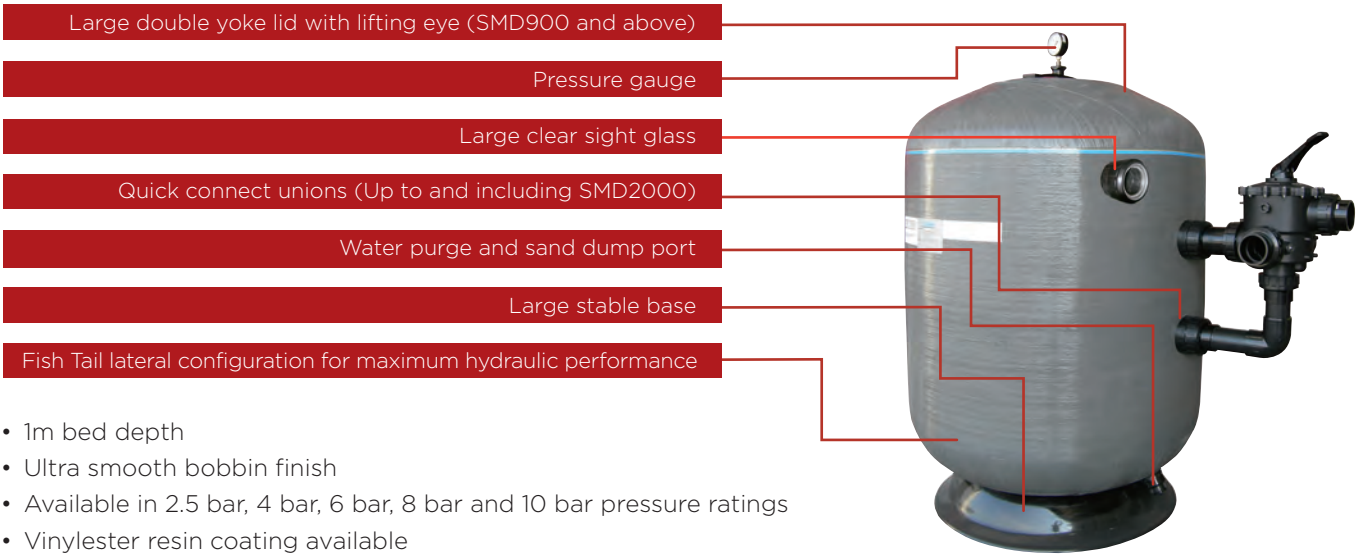
- Working pressure range: **DG-10** 0.1 - 10 bar. **D-040** 0.2-16 bar
- Testing pressure: **DG-10** 16 bar. **D-040** 25 bar.
- Working Temperature: 60°C.
- Maximum short-term temperature: 90°C.



- The body is made of high strength composite materials and all operating parts are made of specially selected corrosion-resistant materials.
- The larger than usual aperture enables it to release air at higher flow rates than other automatic air release valves of its kind.
- The enlarged aperture with its self-cleaning mechanism dramatically reduces obstruction due to debris.
- The valve’s rolling seal mechanism design is less sensitive to different pressures than a direct float seal, thus enabling a one-size aperture for a wide pressure range (from 0.2 up to 16 bar).
- Light, simple and reliable structure.
- Due to its light weight, the valve may be installed on plastic piping systems, as well as other light weight piping.

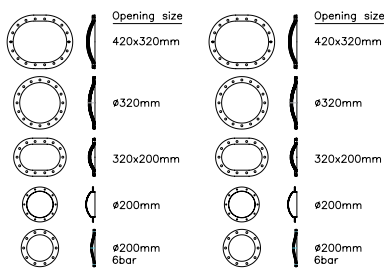
Commercial Filters

MICRON SIDE MOUNT BOBBIN WOUND SAND FILTER - SMD Model



- 1m bed depth
- Ultra smooth bobbin finish
- Available in 2.5 bar, 4 bar, 6 bar, 8 bar and 10 bar pressure ratings
- Vinylester resin coating available
- Quick connect unions
- Nozzle plate available upon request

Side hatch / Lateral manhole cover

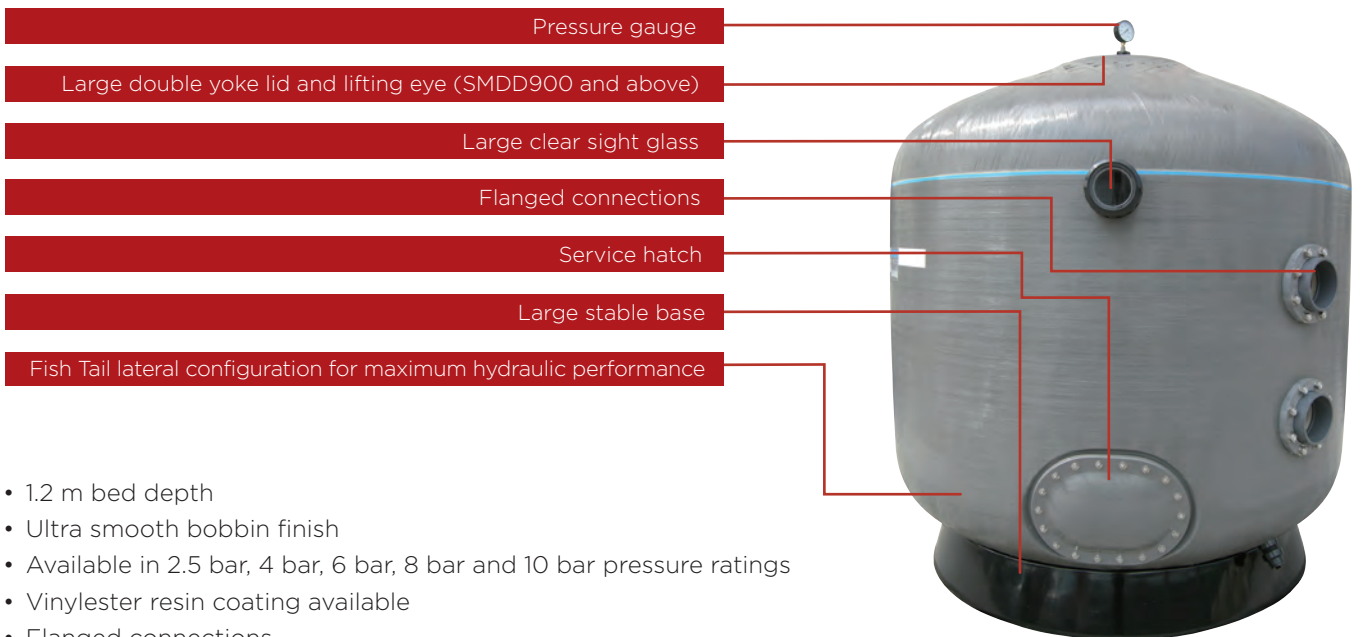


WATERCO MICRON SMD/SMDD/SPDD OPTIONAL EXTRAS

Part No.	Product Description	Nom. Size	Price
W22115	Sight Glass Fitted	90mm	613.55 €
SSHR200	Side Service Hatch - Round	200mm	805.67 €
SSHR320	Side Service Hatch - Round	320mm	1,428.23 €
SSHO320	Side Service Hatch - Oval	320 x 200mm	1,355.01 €
SSHO420	Side Service Hatch - Oval	420 x 320mm	2,658.83 €

*Lead times applicable for the above optional extras.

MICRON SIDE MOUNT DEEP BED SAND FILTER - SMDD Model



- 1.2 m bed depth
- Ultra smooth bobbin finish
- Available in 2.5 bar, 4 bar, 6 bar, 8 bar and 10 bar pressure ratings
- Vinylester resin coating available
- Flanged connections
- Nozzle plate version (SPDD)

Commercial Filters



SMD Lockring lid version
(SMD600, SMD750)

WATERCO MICRON SIDE MOUNT BOBBIN WOUND SAND FILTERS INCLUDING SIGHT GLASS - SMD 2.5 bar

Part No.	Product Description	Nom. Size	Price
	- Excludes MPV (2.5 bar)		
2250600484060	SMD600 (1.5" / 50mm port) 4 Bar-side hatch 200Ø locking lid	24"	1,604.71 €
2250750682	SMD750 (2"/63mm port) - locking ring lid	30"	1,725.53 €
2250900903	SMD900 (3"/90mm port)	36"	4,096.35 €
22501050903	SMD1050 (3"/90mm port)	42"	4,848.67 €
22501200903	SMD1200 (3"/90mm port)	48"	5,774.99 €
22501400903	SMD1400 (3"/90mm port)	56"	7,145.40 €
22501600903	SMD1600 (3"/90mm port)	64"	8,922.33 €
225016001103	SMD1600 (4"/110mm port)	64"	9,347.63 €
225018001103	SMD1800 (4"/110mm port)	70"	11,464.75 €
225020001103	SMD2000 (4"/110mm port)	79"	14,167.88 €

WATERCO MICRON SIDE MOUNT BOBBIN WOUND SAND FILTERS SIGHT GLASS - SMD 4.0 bar

Part No.	Product Description	Nom. Size	Price
	- Excludes MPV (4.0 bar)		
22501054801	SMD1050 (3"/90mm port)	42"	6,303.30 €
22501204801	SMD1200 (3"/90mm port)	48"	7,507.37 €
22501404801	SMD1400 (3"/90mm port)	56"	9,289.93 €
22501604801	SMD1600 (3"/90mm port)	64"	11,598.93 €
22501604101	SMD1600 (4"/110mm port)	64"	12,151.89 €
22501804101	SMD1800 (4"/110mm port)	70"	14,905.09 €
22502004101	SMD2000 (4"/110mm port)	79"	18,421.03 €

PLEASE NOTE: Also available in 6.0 bar , 8.0 bar and 10.0 bar versions, price and lead times available upon request.

Technical Specification

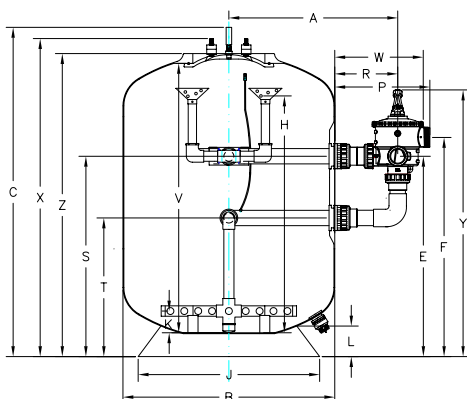
Filter Model	Connection Size		Filter Area	Bed Depth	Maximum Flow Rating 30m³/hr/m²	Maximum Flow Rating 40m³/hr/m²	Sand	EcoPure Media	Glass Pearls
	"	mm							
SMD600	1.5	50	0.28	1000	8.5	11.3	445	380	492
SMD750	2.0	63	0.44	1000	13	18	670	570	737
SMD900	3.0	90	0.64	1000	19	25	1060	1016	1117
SMD1050	3.0	90	0.87	1000	26	35	1410	1159	1541
SMD1200	3.0	90	1.13	1000	34	45	1720	1414	1892
SMD1400	3.0	90	1.54	1000	46	62	2515	2067	2749
SMD1600	3.0	90	2.01	1000	60	80	3170	2605	3477
SMD1600	4.0	110	2.01	1000	60	80	3060	2515	3365
SMD1800	4.0	110	2.54	1000	76	102	4205	3456	4616
SMD2000	4.0	110	3.14	1000	94	126	5140	4225	5437

Dimension (mm)

Model	Connection Size		A	B	C	W	R	P	E	F	K	V	H	L	X	Y	Z	J	S	T
SMD600	50	1.5"	619	622	1630	334	262	191	977	1234	-	-	-	-	-	-	-	-	-	-
SMD750	63	2.0"	613	772	1660	334	262	191	1226	1328	113	1420	1363	120	1585	1482	1560	678	1226	1023
SMD900	90	3.0"	824	923	1918	510	363	548	1406	1516	190	1580	1440	155	1833	1788	1763	735	1406	1050
SMD1050	90	3.0"	918	1110	1930	510	363	548	1100	1210	220	1605	1470	176	1845	1482	1775	1045	1100	744
SMD1200	90	3.0"	977	1229	1935	510	363	548	1154	1264	150	1590	1400	176	1850	1536	1780	1045	1154	798
SMD1400	90	3.0"	1083	1442	1955	510	363	548	1204	1314	250	1615	1500	218	1870	1586	1800	1202	1204	848
SMD1600	90	3.0"	1184	1644	1994	510	363	548	1151	1261	220	1615	1500	218	1909	1533	1839	1202	1151	795
SMD1600*	110	4.0"	1765	1644	1994	943	474	629	757	419	180	1615	1430	218	1909	757	1839	1202	1189	757
SMD1800*	110	4.0"	1863	1839	1985	943	474	629	751	413	225	1710	1475	315	1900	751	1830	1755	1183	751
SMD2000*	110	4.0"	1964	2042	2063	943	474	629	758	420	300	1765	1550	245	1978	758	1908	1755	1190	758

* PLEASE NOTE: these measurements are for a valve orientation different to that shown in adjoining diagram

All dimensions are for guidance only and may vary subject to individual filter specifications.



Commercial Filters



Commercial Filters

SMDD2200

DESIGNED TO FIT FULLY ASSEMBLED INSIDE A STANDARD SHIPPING CONTAINER

WATERCO MICRON SIDE MOUNT DEEP BED SAND FILTERS - SMDD 4.0 bar

Part No.	Product Description	Nom. Size	Price
	- Excludes MPV (4.0 bar)		
224975451826L	SMDD750 (2"/63mm connections 200mm service hatch)	30"	2,894.71 €
224990480136L	SMDD900 (3"/90mm connections 200mm service hatch)	36"	4,822.28 €
2249105480136L	SMDD1050 (3"/90mm connections 200mm service hatch)	42"	6,064.40 €
2249120043037L	SMDD1200 (3"/90mm connections 420 x 320mm service hatch)	48"	7,078.85 €
224914041025L	SMDD1400 (4"/110mm connections 420 x 320mm service hatch)	56"	8,914.63 €
224916041025L	SMDD1600 (4"/110mm connections 420 x 320mm service hatch)	64"	11,676.55 €
224918041525L	SMDD1800 (6"/160mm connections 420 x 320mm service hatch)	70"	14,598.46 €
224920041525L	SMDD2000 (6"/160mm connections 420 x 320mm service hatch)	79"	17,593.34 €
224922041525L	SMDD2200 (6"/160mm connections 420x320mm service hatch)	86"	19,918.88 €
2249235015435	SMDD2350 (6"/160mm connections 420 x 320mm service hatch)	92"	28,003.35 €
2249250041525L	SMDD2500 (6"/160mm connections 420 x 320mm service hatch)	98"	POA

PLEASE NOTE: Also available in 6.0 bar, 8.0 bar and 10.0 bar versions, price and lead times available upon request.

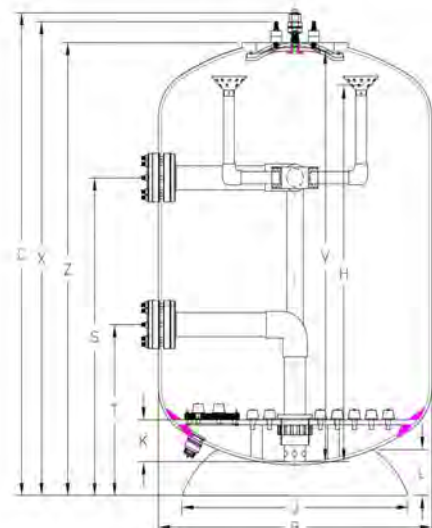
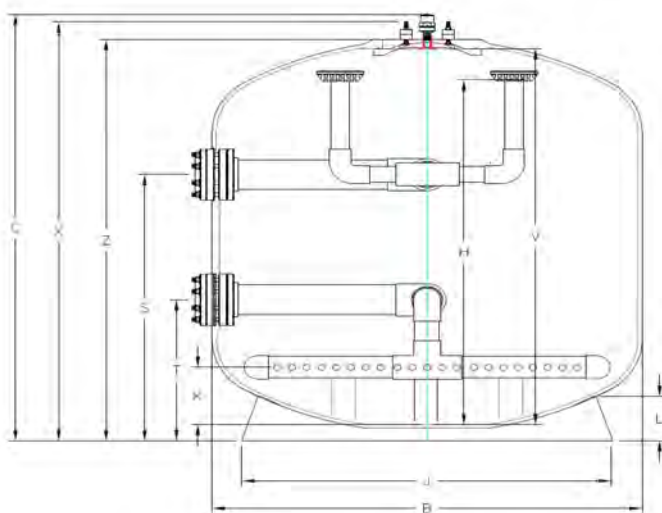
Technical Specification

Filter Model	Flange Size	Flange Size	Filter Area	Bed Depth	Maximum Flow Rating 30m ³ /hr/m ²	Maximum Flow Rating 40m ³ /hr/m ²	Sand	EcoPure Glass	Glass Pearls
	"	mm	m ²	mm	m ³ /hr	m ³ /hr	kg	kg	kg
SMDD750	2	63	0.44	1200	13	18	795	630	879
SMDD900	3	90	0.64	1200	19	25	1200	986	1327
SMDD1050	3	90	0.87	1200	26	35	1665	1386	1842
SMDD1200	3	90	1.13	1200	34	45	2045	1681	2262
SMDD1400	4	110	1.54	1200	46	62	2840	2334	3142
SMDD1600	4	110	2.01	1200	60	80	3685	3029	4076
SMDD1800	6	160	2.54	1200	76	102	4975	4089	5503
SMDD2000	6	160	3.14	1200	94	126	6090	5005	6698
SMDD2200	6	160	3.80	1200	114	152	7625	6481	8435
SMDD2350	6	160	4.34	1200	130	173	8480	6970	9380
SMDD2500	6	160	4.91	1200	147	196	9545	7250	10558

Dimension (mm)

Model	Flange Size	A	B	C	K	V	H	L	X	Z	J	S	T	
SMDD750	63 mm	2"	613	772		113	1780	1713	120	2011	1938	678	1586	1383
SMDD900	90 mm	3"	719	923		223	1930	1823	155	2183	2113	735	1624	1324
SMDD1050	90 mm	3.0"	901	1077		220	1950	1820	176	2185	2115	1045	1650	1294
SMDD1200	90 mm	3.0"	977	1229		150	1900	1750	176	2158	2088	1045	1665	1309
SMDD1400	110 mm	4.0"	1664	1442		200	1975	1800	218	2228	2158	1202	1330	898
SMDD1600	110 mm	4.0"	1765	1644		200	1950	1800	218	2200	2130	1202	1421	989
SMDD1800	160 mm	6.0"	n/a	1839		320	2010	1920	315	2175	2105	1755	1383	900
SMDD2000	160 mm	6.0"	n/a	2042		320	2100	1920	245	2313	2243	1755	1310	827
SMDD2200	160 mm	6.0"	n/a	2245		380	2090	1980	245	2330	2260	1755	1386	903
SMDD2350	160mm	6.0"	n/a	2390		355	2118	1955	340	2330	2330	2037	1550	1017
SMDD2500	160 mm	6.0"	n/a	2575		355	2190	1955	340	2405	2405	2037	1494	1011

All dimensions are for guidance only and may vary subject to individual filter specifications.



Commercial Filters



WATERCO MICRON NOZZLE PLATE SAND FILTERS - SPDD 4.0 bar

Part No.	Product Description	Nom. Size	Price
22799004801	SPDD 900 - (3"/90mm connections 200mm service hatch)	36"	POA
227910508014L	SPDD 1050 - (3"/90mm connections 200mm service hatch)	42"	10,010.74 €
2279120043037L	SPDD 1200 - (3"/90mm connections 420 x 320mm service hatch)	48"	11,968.17 €
2279140010014L	SPDD 1400 - (4"/110mm connections 420 x 320mm service hatch)	56"	14,752.13 €
2279160010014L	SPDD 1600 - (4"/110mm connections 420 x 320mm service hatch)	64"	17,762.87 €
2279180015014L	SPDD 1800 - (6"/160mm connections 420 x 320mm service hatch)	70"	21,929.22 €
227920001504L	SPDD 2000 - (6"/160mm connections 420 x 320mm service hatch)	79"	25,864.16 €
227922001504L	SPDD 2200 - (6"/160mm connections 420 x 320mm service hatch)	86"	28,240.17 €
2279235015014L	SPDD 2350 - (6"/160mm connections 420 x 320mm service hatch)	92"	36,123.27 €
22792500150374L	SPDD2500 - (6"/160mm connections 420 x 320mm service hatch)	98"	38,990.76 €

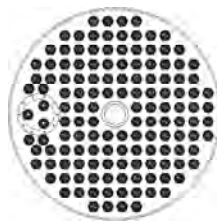
Micron SPDD filters are fitted with a plate and nozzle system, which ensures uniform flow for both filtering and backwashing, ensuring maximum performance through the media bed.

The nozzle plate system also allows the introduction of pressurised air directly into the bottom of the filter media. Uniform introduction of air and water through the nozzle plate provides vigorous agitation and filter media bed expansion required for an effective air/water backwash leading to reduced backwashing times and reduced volumes of water. Save up to 25% of backwash water.

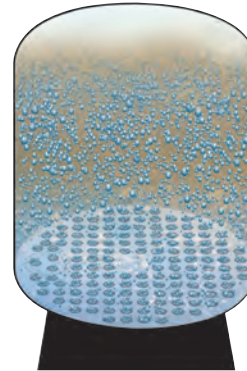
PLEASE NOTE: Also available in 6.0 bar, 8.0bar and 10 bar versions, price and lead times available upon request.



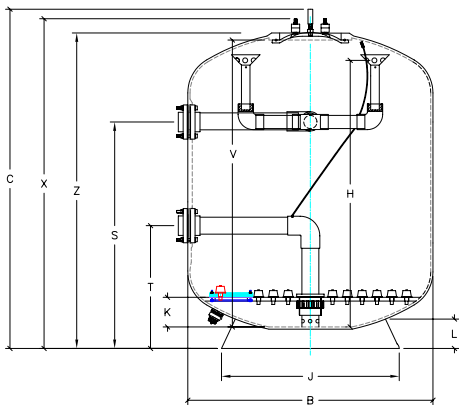
Nozzle Plate underdrain system



Nozzle Plate configuration



Internal Nozzle Plate Service Hatch



All dimensions are for guidance only and may vary subject to individual filter specifications.

Technical Specification

Filter Model	Flange Size	Flange Size	Filter Area	Bed Depth	Maximum Flow Rating 30m ³ /hr/m ²	Maximum Flow Rating 40m ³ /hr/m ²	Sand	EcoPure	Glass Pearls
	"	mm	m ²	mm	m ³ /hr	m ³ /hr	Kg	Kg	Kg
SPDD900	3.0	90	0.64	1200	19.1	25.4	1095	900	1211
SPDD1050	3.0	90	0.87	1200	26.00	34.60	1485	1221	1643
SPDD1200	3.0	90	1.13	1200	33.90	45.20	1930	2170	2135
SPDD1400	4.0	110	1.54	1200	46.20	61.60	2640	2170	2920
SPDD1600	4.0	110	2.01	1200	60.30	80.40	3455	2840	3822
SPDD1800	6.0	160	2.54	1200	76.30	101.80	4330	3559	4790
SPDD2000	6.0	160	3.14	1200	94.20	125.70	5360	4405	5929
SPDD2200	6.0	160	3.80	1200	114.00	152.00	6530	5550	7223
SPDD2350	6.0	160	4.34	1200	130.10	173.50	7430	6107	8219
SPDD2500	6.0	160	4.91	1200	147.00	196.00	8410	7310	9303

Dimension (mm)

Model	Flange Size	B	C	K	V	H	L	X	Z	J	S	T	
SPDD900	90	3"	923	2268	190	1930	1780	155	2183	2113	735	1433	733
SPDD1050	90	3"	1110	2270	220	1950	1820	176	2185	2115	1045	1450	750
SPDD1200	90	3"	1229	2243	150	1900	1750	176	2158	2088	1045	1449	749
SPDD1400	110	4"	1442	2313	200	1975	1800	218	2228	2158	1202	1514	814
SPDD1600	110	4"	1644	2285	200	1950	1800	218	2200	2130	1202	1529	829
SPDD1800	160	6"	1839	2260	320	2010	1920	315	2175	2105	1755	1489	789
SPDD2000	160	6"	2042	2398	320	2100	1920	245	2313	2243	1755	1489	789
SPDD2200	160	6"	2245	2415	380	2090	1980	245	2330	2260	1755	1386	903
SPDD2350	160	6"	2390	2435	355	2118	1955	340	2330	2330	2037	1550	950
SPDD2500	160	6"	2575	2510	355	2190	1955	340	2405	2405	2037	1494	1011

Commercial Filters

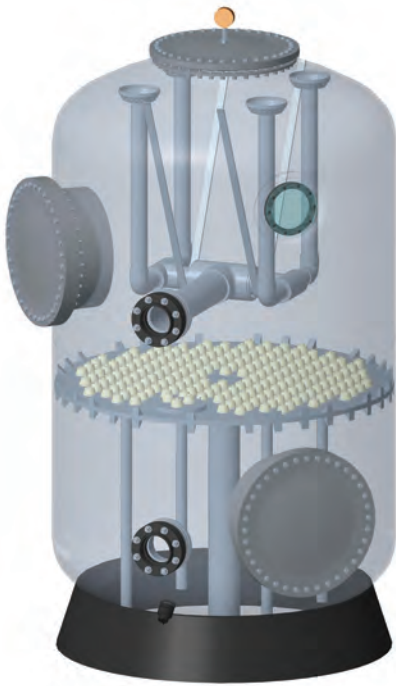
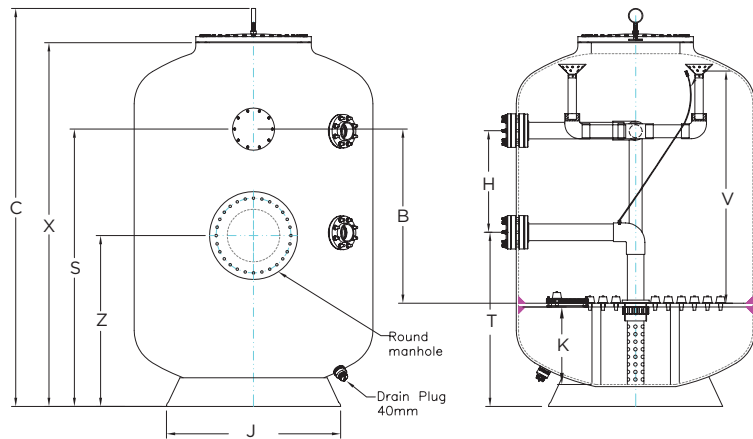


Commercial Filters

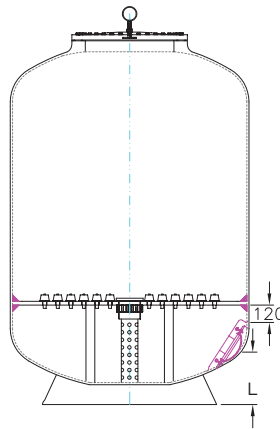
WATERCO MICRON NOZZLE PLATE SAND FILTERS - DIN FILTERS

Part No.	Product Description	Nom. Size	Price
2279120080976	Micron SPDD1200e 3"FL S SG L/MH LM200 DIN	48"	19,446.18 €
22791400100976	Micron SPDD1400e 4"FL S SG L/MH LM200 DIN	56"	23,613.79 €
22791600100976	Micron SPDD1600e 4"FL S SG L/MH LM200 DIN	64"	27,687.23 €
22791800150824	Micron SPDD1800e 6"FL SG200 MH600X3 DIN	70"	42,295.78 €

The Waterco SPDD DIN filters offer all the benefits of the standard Waterco Micron nozzle plate filters with the added advantage of being compliant with DIN 19605:2016-05 standards.



SPDD 1800 DIN filter



Technical Specification

Filter Model	Flange Size	Flange Size	Filter Area	Bed Depth	Maximum Flow Rating 30m ³ /hr/m ²	Maximum Flow Rating 40m ³ /hr/m ²	Sand	EcoPure Glass	Glass Pearls
	"	mm	m ²	mm	m ³ /hr	m ³ /hr	kg	kg	kg
SPDD1200	3.0	90	1.13	1200	34	45	1930	2170	2135
SPDD1400	4.0	110	1.54	1200	46	62	2640	2170	2920
SPDD1600	4.0	110	2.01	1200	60	80	3455	2840	3822
SPDD1800	6.0	160	2.54	1200	76	102	4330	3559	4790

Dimension (mm)

Model	Flange Size	B	C	K	V	H	L	X	Z	J	S	T
SPDD1200	90	3"	1200	2601	558	1600	700	367	2438	1270	1045	1214
SPDD1400	110	4"	1200	2673	530	1600	700	370	2518	1204	1200	895
SPDD1600	110	4"	1200	2650	534	1600	700	360	2506	1178	1200	1911
SPDD1800	160	6"	-	3433	-	1600	1250	-	3232	-	1755	2535

All dimensions are for guidance only and may vary subject to individual filter specifications.

Commercial Filters



HYDRON SPLIT FILTER

Part No.	Product Description	Nom. Size	Price
	Filter Only		
223912008014	HYDRON Split filter 1200h 3"FL LCN	48"	16,985.97 €
223914008014	HYDRON Split filter 1400h 4"FL LCN	56"	18,594.03 €
223916008014	HYDRON Split filter 1600h 4"FL LCN	64"	21,926.95 €
223918008014	HYDRON Split filter 1800h 6"FL LCN	70"	29,764.52 €

Ideal for retrofitting

Hydron Split tank can be delivered in two parts and assembled on site in the plant room. The two halves seal perfectly using a double o-ring and are held together by a flange using bolts and nuts. The filter is specifically designed to fit into existing plant rooms where access is restricted.

Designed for water treatment and commercial swimming pool facilities, built using the latest in gel-coated fibreglass technology.

- Durable
- Easy to maintain
- Flanged tank port connections
- Perfect for retrofit
- Easy transport
- Flexible configurations available
- Sight glass available
- 4 bar rated

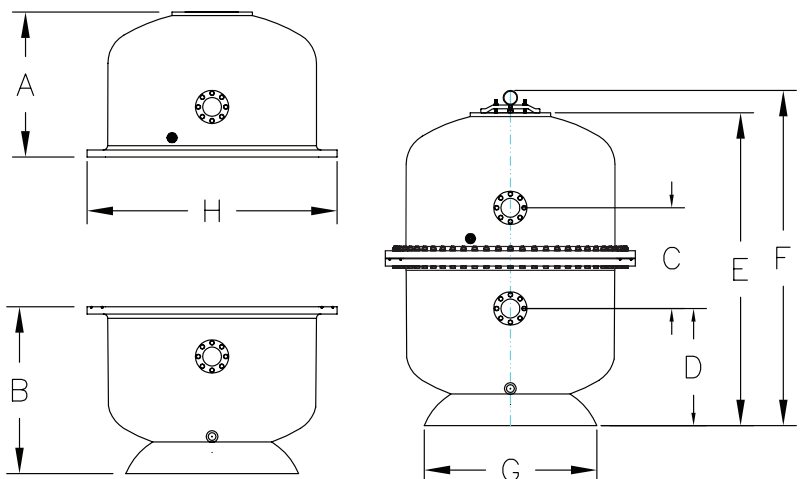
Technical Specification

Model No:	Flange Size	Bed Depth		Inner Diameter			Filter Area		Filtration Flow Rates		Backwash Flow Rates		Sand	EcoPure Media	Glass Pearl
		in	mm	in	mm	in	m ²	feet ²	30m ³ /hr/m ²	36m ³ /hr/m ²	40m ³ /hr/m ²	50m ³ /hr/m ²			
SMDT 1200	3	1000	39.4	1200	47.3	113	12.18	34	41	45	57	2045	1636	2262	
SMDT 1400	4	1000	39.4	1400	55.2	154	16.58	46	55	62	77	2840	2272	3142	
SMDT 1600	4	1000	39.4	1600	63.0	2.01	21.66	60	72	80	101	3685	2605	4076	
SMDT 1800	6	1000	39.4	1800	70.9	2.54	27.41	76	92	102	127	4975	3890	5503	

Dimension (mm)

Model	A	B	C	D	E	F	G	H
SMDT 1200	1010	1095	700	749	2088	2245	1045	1521
SMDT 1400	1008	1165	700	814	2170	2330	1200	1737
SMDT 1600	995	1130	700	829	2130	2285	1200	1943
SMDT 1800	1105	1100	700	789	2188	2355	1760	2105

All dimensions are for guidance only and may vary subject to individual filter specifications.



Commercial Filters



Micron Horizontal Filters

The Micron Horizontal Filter is a space-saving high performer; its compact horizontal design allows installation with minimum waste of space. The spherical ends are designed to give uniform flow from both inlet and outlet collection assemblies. Micron Horizontal filters are available with a 500mm (M) filter media bed and a 1200mm (MD) filter media bed.

MICRON COMMERCIAL HORIZONTAL FILAMENT WOUND FILTERS

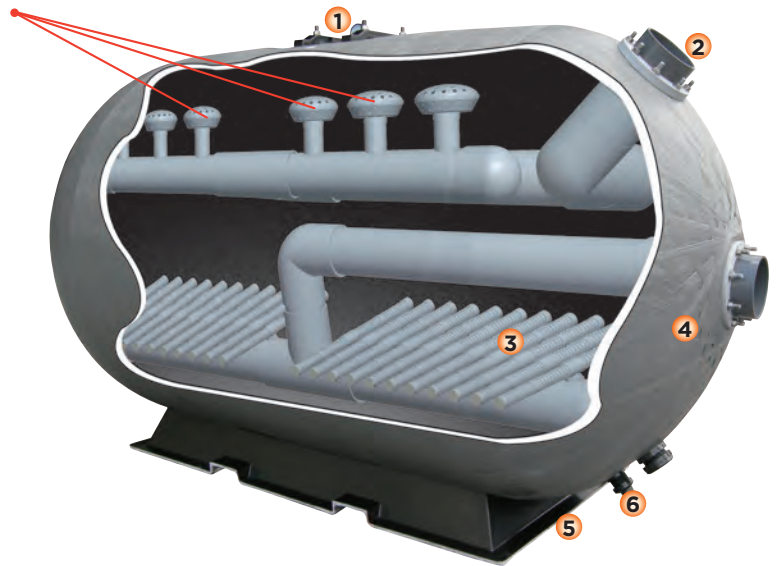
ranges from 2.5 to 10 bar (10 bar not available in all models)

Micron Horizontal's lateral system reduces backwash run times, saves water and produces a flatter more uniform filter media bed after backwashing.

Micron Horizontal vessels are also available with a nozzle plate. The nozzle plate provides even distribution of air scouring and backwashing.

For the ultimate filtration solution of large filter bed area and effective backwashing, Micron Horizontal Nozzle Plate vessels are the perfect choice.

Micron Horizontal filters include hydraulically efficient distribution manifolds, ensuring balanced circulation and filtration.



- 1 Elliptical positive sealing manways.
- 2 Flanged ports of up to 10".
- 3 Hydraulically balanced distribution and lateral underdrain system.
- 4 Fibreglass wound tank, UV and corrosion resistant.
- 5 Large filter base for stable floor mounting.
- 6 Dual function water & media drain.



Internal plumbing & laterals



Commercial Filters

Commercial Filters

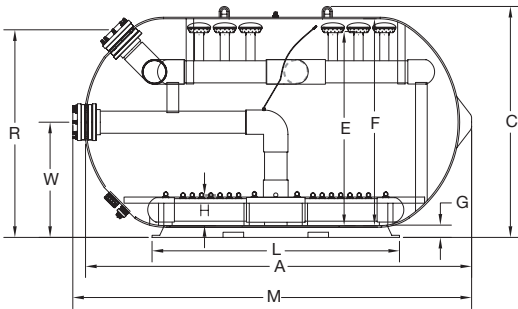


WATERCO MICRON COMMERCIAL HORIZONTAL SAND FILTERS (2.5 bar)

Part No.	Product Description	Nom. Size	Price
22290102	M2500 (4"/110mm port connections)	2.50m ²	8,812.44 €
22290151	M3750 (4"/110mm port connections)	3.75m ²	10,295.74 €
22290150	M3750 (6"/160mm port connections)	3.75m ²	13,701.53 €
22290200	M5000 (6"/160mm port connections)	5.00m ²	16,894.55 €

Technical Specification

Filter Model	Overall Length mm	Overall Height mm	Overall Width mm	Flange Size ("/mm)	Bed Depth (mm)	Filter Area (m ²)	Ecopure Glass (kg)	Sand 16/30 (kg)	Glass Pearls (kg)	Max. flow 30m ³ /hr/m ² (m ³ /hr)	Max. flow 40m ³ /hr/m ² (m ³ /hr)
M2500	2300	1480	1310	4/110	500	2.50	1742	2120	2304	75	100
M3750	3350	1485	1310	4/110	500	3.75	2844	3460	3552	113	150
M3750	3350	1485	1310	6/160	500	3.75	2844	3460	3552	113	150
M5000	4340	1486	1310	6/160	500	5.00	3830	4660	4898	150	200



Dimension (mm)

Model	Port size	A	C	W	R	L	E	F	G	H	M
M2500	110	2245	1620	740	1300	1400	1005	1260	150	255	2327
M3750	110	3230	1620	740	1300	2520	1005	1260	150	275	3312
M3750	160	3230	1620	740	1300	2520	945	1260	150	275	3312
M5000	160	4220	1620	740	1300	3570	945	1260	150	275	4301

All dimensions are for guidance only and may vary subject to individual filter specifications.



WATERCO MICRON HORIZONTAL DEEP BED BOBBIN WOUND FILTERS 1.2m BED DEPTH (2.5 bar)

Part No.	Product Description	Nom. Size	Price
2229055008	MD5500 (8"/200mm port connections)	5.50m ²	27,284.66 €
2229065008	MD6500 (8"/200mm port connections)	6.50m ²	33,712.87 €
222908000825	MD8000 (8"/200mm port connections)	8.00m ²	44,302.74 €
2229040010L	MD10000 (10"/280mm port connections)	10.00m ²	54,198.45 €

Technical Specification

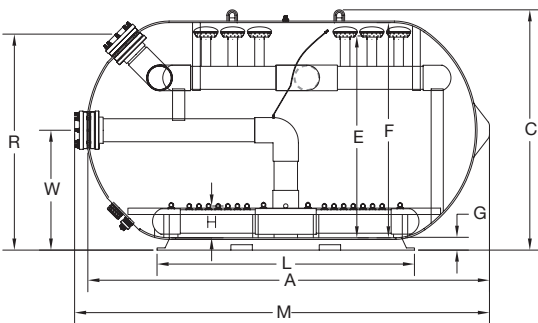
Filter Model	Overall Length mm	Overall Height mm	Overall Width mm	Flange Size ("/mm)	Bed Depth (mm)	Filter Area (m ²)	Ecopure Glass (kg)	Sand 16/30 (kg)	Glass Pearls (kg)	Max. flow 30m ³ /hr/m ² (m ³ /hr)	Max. flow 40m ³ /hr/m ² (m ³ /hr)
MD5500	3122	2173	2000	8/200	1200	5.50	6043	9280	10265	165	220
MD6500	3635	2244	2000	8/200	1200	6.50	9058	11020	12764	195	260
MD8000	4386	2173	2000	8/200	1200	8.00	11753	14300	15834	240	320
MD10000	5850	2173	2000	10/280	1200	10.00	14540	17690	20225	300	400

* Flow rate is limited by the port size, max flow for 8"/200mm is 422.4m³/hr, and 10"/260mm is 654m³/hr.

Dimension (mm)

Model	Port size	A	C	W	R	L	E	F	G	H	M
MD5500	200	3252	2260	1120	1988	1880	1890	2000	230	289	3330
MD6500	200	3765	2260	1120	2020	2405	1890	2000	230	290	3890
MD8000	200	4516	2260	1120	2020	3155	1890	2000	230	290	4640
MD10000	280	5500	2260	1150	2050	4055	1890	2000	230	330	5650

All dimensions are for guidance only and may vary subject to individual filter specifications.



WATERCO MICRON HORIZONTAL OPTIONAL EXTRAS

Part No.	Product Description	Nom. Size	Price
W22115	Sight Glass Fitted	90mm	613.55 €
SSHR200	Side Service Hatch - Round	200mm	805.67 €
SSHR320	Side Service Hatch - Round	320mm	1,428.23 €
SSHO320	Side Service Hatch - Oval	320x200mm	1,355.01 €
SSHO420	Side Service Hatch - Oval	420x320mm	2,658.83 €

* Available in 4, 6 and 8 bar, also available with nozzle plate arrangement.

Commercial Filters



LACRON SUREFLOW HZC - SAND FILTER 2.5 bar pressure rating

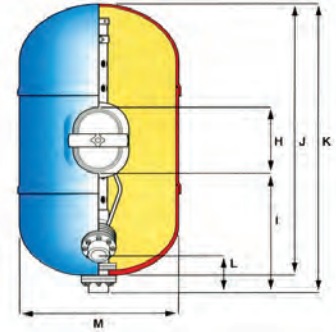
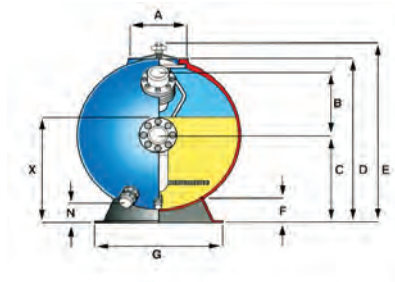
Part No.	Product Description	Nom. Size	Price
	Filter Only		
222942423	HZC - 42 4" (110mm) Connections complete with 2 fitted sight glasses	42" - 1100mm	9,907.29 €

Technical Specification

Filter model	Tank Diameter (mm)	Bed Depth (mm)	Filter Area (m ²)	Flange Size (inch/mm)	Pea Gravel (kg)	Sand (kg)	EcoPure Glass (kg)	Glass Pearl (kg)	Max. Flow (m ³ /hr)
HZC-42	1100	650	2.000	4 / 110	250	950	800	1045	90

Dimension (mm)

Model	A	B	C	D	E	F	G	H	I	J	K	L	M	N	X
HZC-42	330	400	660	1265	1335	190	815	430	800	1980	2030	310	1120	195	660



LSC36/42

LACRON SUREFLOW LSC - SIDE MOUNT SAND FILTER - 2.5 bar pressure rating

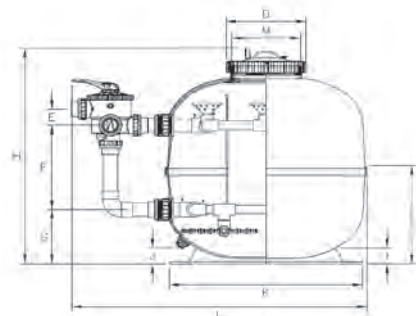
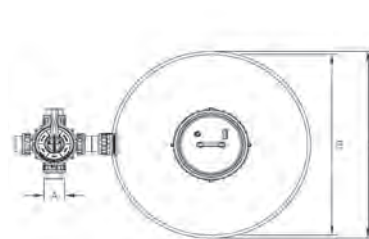
Part No.	Product Description	Nom. Size	Price
	Filter Tank with Connecting Unions Only		
222037CN	LSC - 36 3" (90mm) Connections 8" neck	36" - 915mm	3,411.55 €
222042N	LSC - 42 3" (90mm) Connections 8" neck	42" - 1100mm	4,590.83 €
222048N	LSC - 48 3" (90mm) Connections 16" neck	48" - 1200mm	6,886.19 €

Technical Specification

Filter model	Tank Diameter (mm)	Bed Depth (mm)	Filter Area (m ²)	Flange Size (inch/mm)	Pea Gravel (kg)	Sand (kg)	EcoPure Glass (kg)	Glass Pearl (kg)	Max. Flow (m ³ /hr)
LSC-36	900	500	0.660	3 / 90	75	300	225	330	26
LSC-42	1100	550	0.970	3 / 90	100	450	350	540	43
LSC-48	1200	700	1.130	3 / 90	175	675	525	742	56

Dimension (mm)

Model	A	B	C	D	E	F	G	H	I	J	K	L	M	X
LSC-36	128	900	915	267	108	300	303	1031	90	90	735	1512	234	500
LSC-42	128	1086	1100	267	108	325	370	1161	95	90	740	1677	234	550
LSC-48	128	1200	1240	497	108	559	360	1430	100	90	1200	1837	439	700



LSC48

Commercial Filters



LACRON FINAFLOW MBF - MEDIUM BED SAND FILTER - 2.5 bar pressure rating

Part No.	Product Description	Nom. Size	Price
	With side hatch, sight glass, connecting unions & pipeset		
2220588N	MBF - 24 1 1/2" (50mm) Connections 8" Neck	24" - 610mm	2,939.44 €
2220598N	MBF - 30 2" (63mm) Connections 8" Neck	30" - 760mm	3,624.70 €

Technical Specification

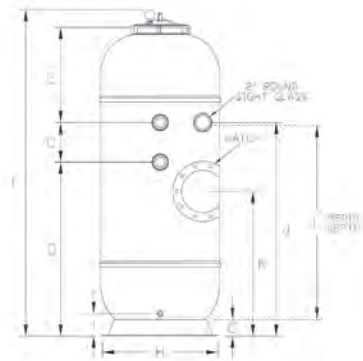
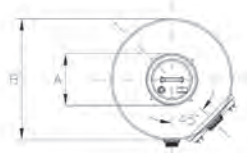
Filter model	Tank Diameter (mm)	Bed Depth (mm)	Filter Area (m ²)	Flange Size (inch/mm)	Pea Gravel (kg)	Sand (kg)	EcoPure Glass (kg)	Glass Pearl (kg)	Max. Flow (m ³ /hr)
MBF-24	610	1000	0.300	1.5 / 50	75	350	280	385	15
MBF-30	760	1000	0.450	2 / 63	100	550	440	605	22.5

Dimensions (mm)

Model	Type	A	B	C	D	E	F	G	H	I	J	K	L
MBF-24	Collar Neck	267	625	204	896	490	1681	85	595	120	1110	745	1000
MBF-30	Collar Neck	267	780	215	885	490	1681	110	740	120	1110	745	1000

*All figure tolerance 1%. Subject to modification

MBF 24 / 30 Collar Neck



LACRON FINAFLOW DBF - DEEP BED SAND FILTER - 2.5 bar pressure rating

Part No.	Product Description	Nom. Size	Price
	With side hatch, sight glass & connecting unions		
222041624N	DBF - 24 2" (63mm) Connections 8" Neck	24" - 610mm	2,980.18 €
222041630	DBF - 30 2" (63mm) Connections 9" x 6" Lid	30" - 760mm	4,390.80 €
222041636	DBF - 36 3" (90mm) Connections 9" x 6" Lid	36" - 915mm	5,697.07 €
222041642	DBF - 42 3" (90mm) Connections 9" x 6" Lid	42" - 1100mm	7,139.36 €

Technical Specification

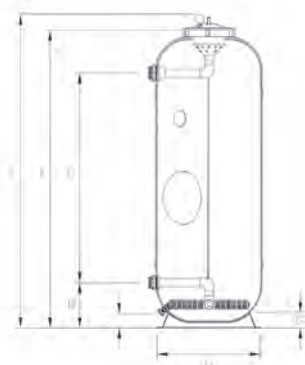
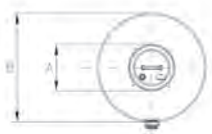
Filter model	Tank Diameter (mm)	Bed Depth (mm)	Filter Area (m ²)	Flange Size (inch/mm)	Pea Gravel (kg)	Sand (kg)	EcoPure Glass (kg)	Glass Pearl (kg)	Max. Flow (m ³ /hr)
DBF-24	610	1300	0.300	63 / 2	75	500	400	550	15
DBF-30	760	1525	0.450	63 / 2	100	775	625	852	22.5
DBF-36	915	1550	0.660	90 / 3	150	950	750	1045	33
DBF-42	1100	1580	0.970	90 / 3	150	1650	1400	1815	48.5

Dimensions (mm)

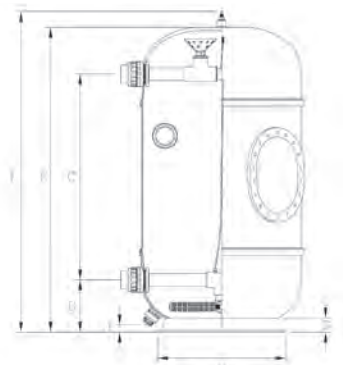
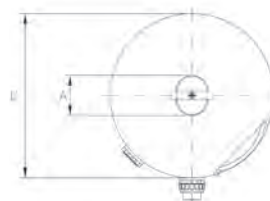
Model	Type	A	B	C	D	E	F	G	H	I
DBF-24	Collar Neck	267	625	1200	260	1706	1797	85	595	85
DBF-30	9" x 6" Lid	230	780	1350	290	1875	1967	110	740	110
DBF-36	9" x 6" Lid	230	945	1180	300	1750	1842	80	740	40
DBF-42	9" x 6" Lid	230	1105	1380	370	2065	2157	95	760	60

*All figure tolerance 1%. Subject to modification

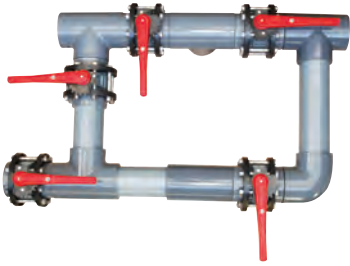
DBF 24



DBF 30 / 36 / 42



Commercial Filters



SINGLE FILTER 5 VALVE BATTERY SETS

Part No.	Product Description	Nom. Size	Price
72859	5 valve battery 3" connections - Self Assembly	3"	3,149.58 €
72862	5 valve battery 4" connections - Self Assembly	4"	4,034.85 €
72860	5 valve battery 6" connections - Self Assembly	6"	6,544.49 €
72864	5 valve battery 90mm connections - Self Assembly	90mm	3,149.58 €
72863	5 valve battery 110mm connections - Self Assembly	110mm	4,034.85 €
72861	5 valve battery 160mm connections - Self Assembly	160mm	6,716.72 €

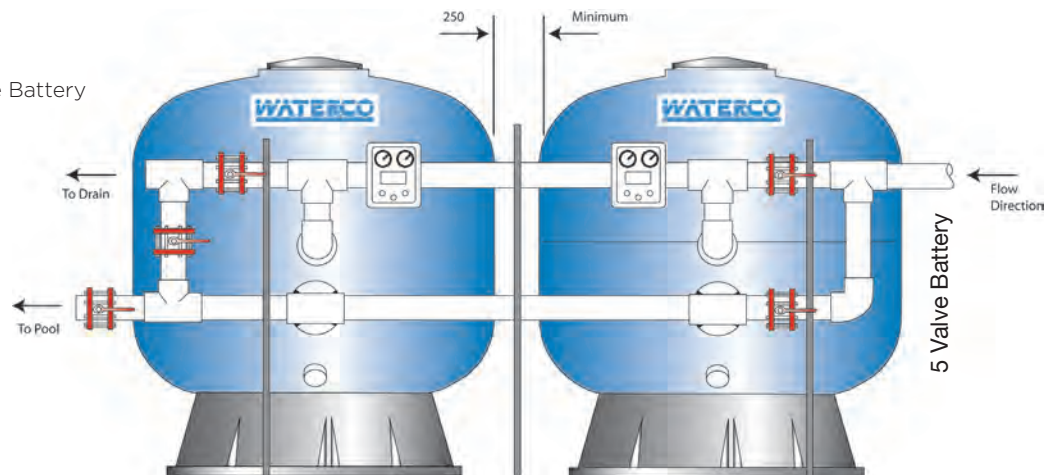
All 5 valve battery sets come complete with butterfly valves, tees, elbows pipework and 2 pipe supports
 Note: Supplied loose in kit form.

DOUBLE FILTER 5 VALVE BATTERY SETS

Part No.	Product Description	Nom. Size	Price
72859DF	125mm valve battery, 3" connections - Self Assembly	3"	5,252.86 €
72862DF	140mm valve battery, 4" connections - Self Assembly	4"	8,105.29 €
72860DF	225mm valve battery, 6" connections - Self Assembly	6"	16,016.81 €
72864DF	125mm valve battery, 90mm connections - Self Assembly	90mm	5,252.86 €
72863DF	140mm valve battery, 110mm connections - Self Assembly	110mm	8,105.29 €
72861DF	225mm valve battery, 160" connections - Self Assembly	160mm	15,232.09 €

All double filter 5 valve battery sets come complete with butterfly valves, tees, elbows, pipework and 3 pipe supports.
 Note: Supplied loose in kit form.

Double Filter 5 Valve Battery



Single Filter 5 Valve Battery



PRESSURE GAUGE PANELS

Part No.	Product Description	Price
6216402	Pressure Gauge Panel Inlet / Outlet - Pewter Complete MKII	258.13 €

Media

Media



WATERCO
water, the liquid of life

ECOPURE

GLASS MEDIA

Efficient • Clean • Long Life

Waterco's EcoPure Glass filter media is manufactured from recycled glass; it is an environmentally friendly and viable alternative to sand, offering a finer filtration.

Whereas other filter media may contain a variety of contaminants, Waterco's EcoPure filter media is chemically inert for superior purity. In fact, it does not contain any crystalline free silica or heavy metals.

Its high purity also greatly reduces its initial backwashing requirements, prior to commissioning a filter, enabling a rapid start up of media filters. This backwash also saves water, time and therefore money.

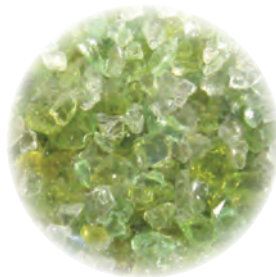
EcoPure is made with 100% recycled glass.

This offers environmental savings when compared with alternative natural resources which would otherwise be used. The product can also help towards social and environmental certifications, such as Bcorp.

Available in three grades with sizes from 0.5mm up to 6mm.



Grade 1 0.5 - 1.0mm
(equivalent to Grade 16/30 sand)



Grade 2 1.0 - 3.0mm



Grade 3 3.0 - 6.0mm
(equivalent to Pea Gravel)



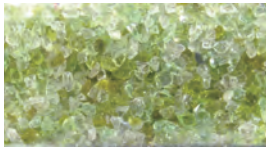
WATERCO
EUROPE LTD
water, the liquid of life

Media

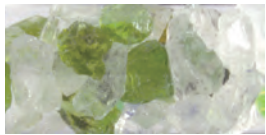
ECOPURE GLASS MEDIA

WATERCO GLASS MEDIA

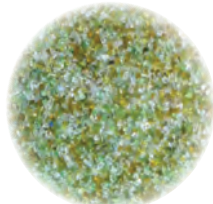
Part No.	Product Description	Nom. Size	Price
2264/20	Grade 1 (0.5mm - 1mm)	20kg bag	22.40 €
2265/20	Grade 2 (1mm - 3mm)	20kg bag	22.40 €
2266/20	Grade 3 (3mm - 6mm)	20kg bag	22.40 €



Grade 1 equivalent to 16/30
Grade sand

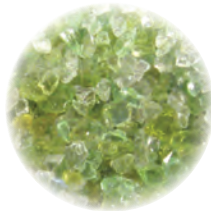


Grade 3 equivalent to 6mm
gravel



Grade 1

0.5mm-1mm



Grade 2

1mm-3mm



Grade 3

3mm-6mm

EcoPure Glass media has the green credentials, and with its superior performance is also cost effective in comparison to sand.

EcoPure Glass media has many benefits over sand:

- **EcoPure Glass media is more efficient**
It removes 30% more material and pollutants than sand, so saving on backwashing and the resultant water, energy and chemical treatment costs.
- **EcoPure Glass media keeps cleaner**
It is less susceptible to bio-fouling. As the product is heat treated, surfaces are smooth, so require less remedial action and less chemical treatment to kill pollutants.
- **EcoPure Glass media requires less material**
It is less dense than sand, requiring 15% - 20% less media to fill the equivalent filter.
- **EcoPure Glass media doesn't degrade**
It therefore has a longer life span.
- **EcoPure Glass media is versatile**
Is suitable for both commercial and domestic applications.
- **EcoPure Glass media complies with:**
 - BS69020 : 2014
 - BS EN12879-3 : 2006
 - WHO Guidelines for drinking water quality 2022

EcoPure media is a truly “recycled product” and therefore contains various colours of glass. These colours being clear, green, brown, blue, red and sometimes white. To use only one colour over others would be antithetical to the recycling ethos and would have little benefit to the environment.

Recycling glass should recycle all the colours, this is something that Waterco is proud of offering.

Waterco understands the importance of strong and durable packaging and therefore for EcoPure glass media we use a clear Industrial Champion Polythene Bag rated at 110 micron. The bags have been manufactured to ISO9000 and PIFA standards which also includes a UV additive to ensure the highest quality packaging.

GLASS PEARLS



WATERCO GLASS PEARLS MEDIA

Part No.	Product Description	Nom. Size	Price
35320011UK	Grade 1 Glass Pearls Media 0.6mm - 0.8mm	20Kg	54.67 €

Manufactured from 100% pure virgin glass, Waterco Glass Pearls are a new generation of filter media, capable of providing water of superior clarity and requiring less water for backwashing.

Superior Clarity

Grade 1 Glass Pearls have a small, effective size of only 0.6mm to 0.8mm. Their narrow particle size range allows in-depth filtration and extends operating cycles between backwashing. Glass Pearls have been laboratory tested to be able to effectively filter down to below 3 microns.



Safe and Smooth

Glass Pearls are spherical and do not have any sharp edges. They are safe to handle and safe to service. If there is ever a failure of the filter's laterals and glass beads flow into the swimming pool, they pose no risk of injury to swimmers.

High Purity

Waterco Glass Pearls are manufactured from 100% pure glass and are chemically inert. Waterco Glass Pearls have been independently laboratory tested for leaching contaminants and found to be well within Australian Drinking Water Guidelines.



Save Water

Glass Pearls' spherical smooth shape, results in a low coefficient of friction, reducing their backwash water requirements. Glass Pearls backwash with up to 20% less water than sand, saving time and water.



Time Saving

Glass Pearls are easy to install and enable a rapid start up of the media filter. Their high purity means very little backwashing is required to cleanse the filter media, prior to commissioning the filter.



The Ultimate In Filtration



CLIMATECARE
CERTIFIED

*in conjunction with
Micron Eco filter

Technical Specifications	
Filtration Media	Glass Pearl
Backwash rate	16m ³ /hr/m ²
Effective Size (mm)	0.61
Uniformity Coefficient	1.21
Bulk Density	1.61
Mohs Hardness	7.0

Chemical Compositions	
Silicon dioxide (SiO ₂)	70.00 - 75.00%
Sodium oxide (Na ₂ O)	12.00 - 15.00%
Calcium oxide (CaO)	7.00 - 12.00%
Magnesium oxide (MgO)	approx - 5.00%
Aluminium (AL ₂ O ₃)	approx - 2.50%
Potassium oxide (K ₂ O)	approx- 1.50%

Pumps

Pumps



WATERCO
water, the liquid of life

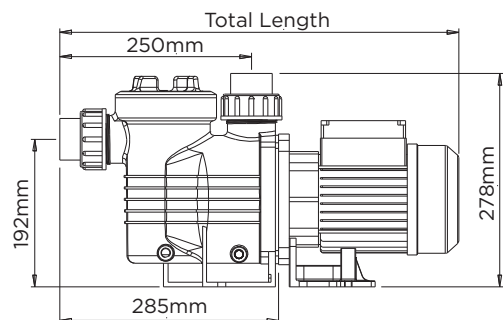
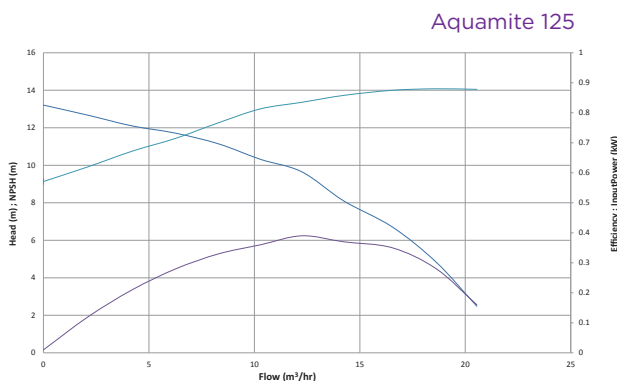
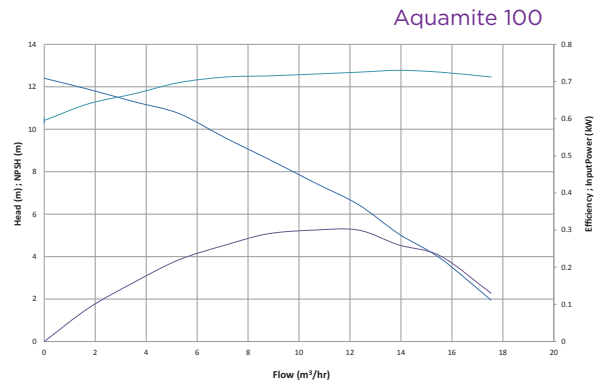
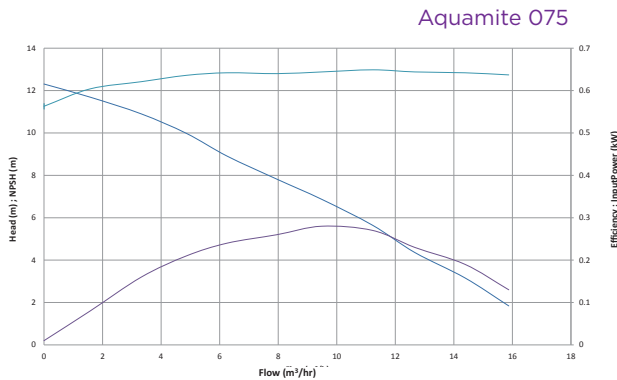
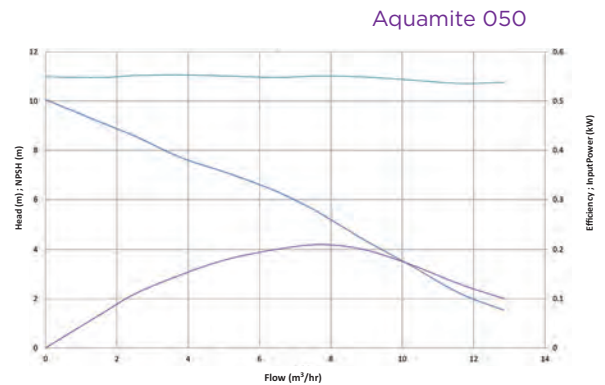
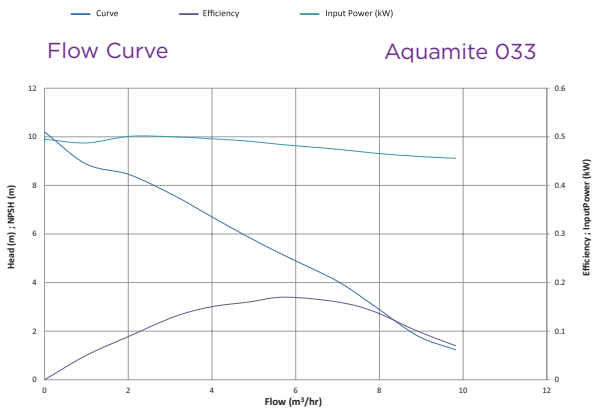
Pumps



WATERCO AQUAMITE PUMPS - Single Phase 220v - 240v, S/S shaft, CE approved

Part No.	Product Description	Q. Max	P. Max	Price
1 1/2" port supplied with 1/2" imperial & 50mm metric quick connect unions. Pump Warranty - 3 years wet end, 2 years motor and 1 year mechanical seal.				
2402033PNR-M	Aquamite 033	9.8m ³ /hr	0.53kW	550.48 €
2402050PNR-M	Aquamite 050	12.9m ³ /hr	0.58kW	577.56 €
2402075PNR-M	Aquamite 075	15.9m ³ /hr	0.68kW	597.48 €
2402100PNR-M	Aquamite 100	17.5m ³ /hr	0.74kW	643.42 €
2402125PNR-M	Aquamite 125	20.6m ³ /hr	0.88kW	649.80 €
Silicon carbide seal required for salt water installations, pricing available on request				

The Aquamite is a compact pump ideal for domestic swimming pools and small recirculation systems, including ponds and water features.



Specifications

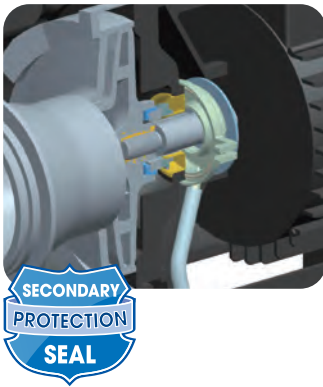
Model	HP	Pmax kW	Amps	Phase	Total Length (mm)	Motor Frame	Flow Rate Qmax.
Aquamite 033	0.33	0.530	2.3	1	539	71	9.8m ³ /hr
Aquamite 050	0.50	0.580	2.6	1	539	71	12.9m ³ /hr
Aquamite 075	0.75	0.680	3.1	1	539	71	15.9m ³ /hr
Aquamite 100	1.00	0.740	3.4	1	539	71	17.5m ³ /hr
Aquamite 125	1.25	0.880	3.9	1	539	71	20.6m ³ /hr

Phase	Volts	Cycle	RPM
1	220 - 240	50	2860

Pumps



Supastream pumps are general purpose units designed for use in swimming pools and low pressure water recirculation applications.



WATERCO SUPASTREAM PUMPS - Single Phase 220v - 240v, S/S shaft, CE approved

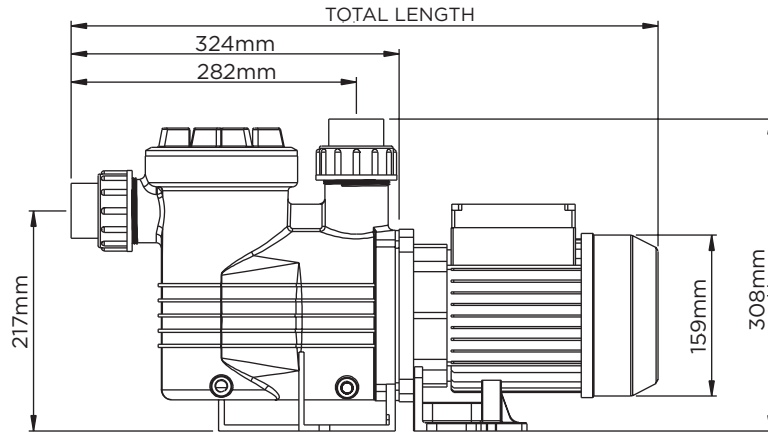
Part No.	Product Description	Q. Max	P. Max	Price
1/2" port supplied with 1/2" imperial & 50mm metric quick connect unions. Pump Warranty - 3 years wet end, 2 years motor and 1 year mechanical seal.				
2403050PNR-M	Supastream 050	13.8m ³ /hr	0.570kW	637.31 €
2403075PNR-M	Supastream 075	16.4m ³ /hr	0.653kW	658.12 €
2403100PNR-M	Supastream 100	20.1m ³ /hr	0.860kW	690.42 €
2403150PNR-M	Supastream 150	25.5m ³ /hr	1.112kW	761.14 €

All models also available with 2"/63mm ports - pricing and availability on request. Silicon carbide seal required for salt water installations, pricing available on request

Specifications

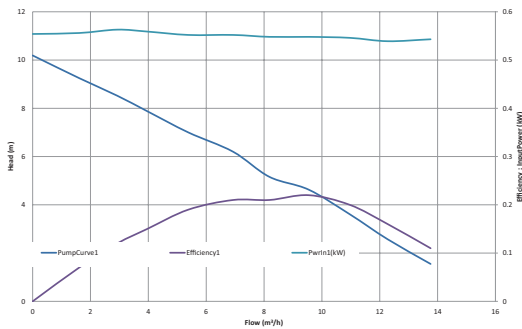
Model	HP	Pmax kW	Amps	Phase	Total Length (mm)	Motor Frame	Flow Rate Qmax.
Supastream 050	0.50	0.57	2.5	1	574	71	13.8m ³ /hr
Supastream 075	0.75	0.653	2.9	1	574	71	16.4m ³ /hr
Supastream 100	1.00	0.86	3.6	1	536	71	20.1m ³ /hr
Supastream 150	1.50	1.112	5.0	1	559	80	25.5m ³ /hr

Phase	Volts	Cycle	RPM
1	220 - 240	50	2860
3	380 - 415	50	2860

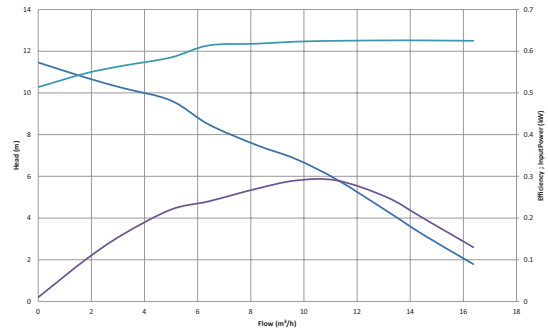


Flow Curve

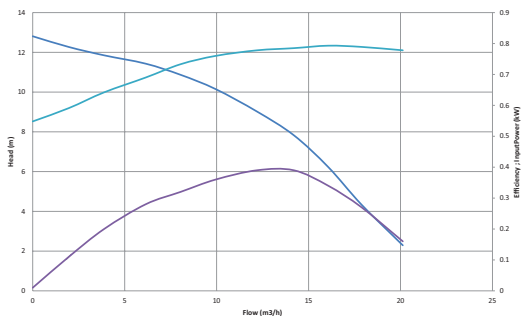
Supastream 050



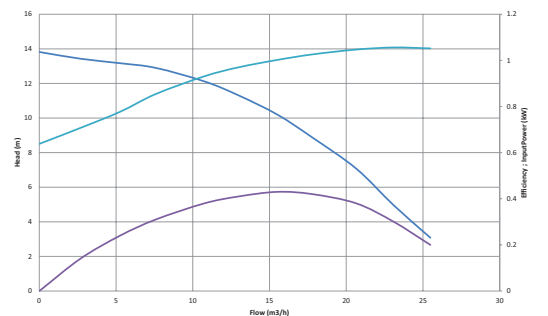
Supastream 075



Supastream 100



Supastream 150



Pumps



WATERCO LACRONITE PUMPS—Single phase 220v–240v, S/S shaft, CE approved

Part No. Product Description Q. Max P. Max Price

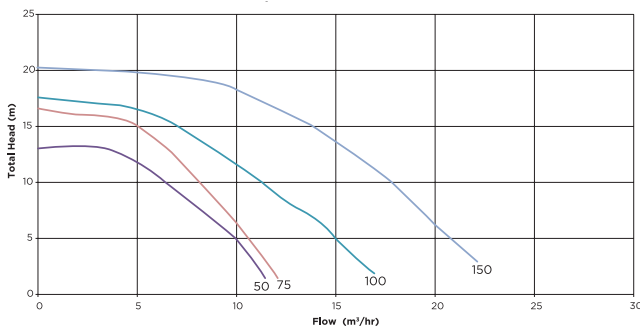
1/2" port supplied with 1/2" imperial & 50mm metric quick connect unions and internal threaded connections.
 Pump Warranty - 3 years wet end, 2 years motor and 1 year mechanical seal.

Part No.	Product Description	Q. Max	P. Max	Price
24070050PNR-M	Lacronite 0.5HP	11.7m ³ /h	0.588kW	887.28 €
24070075PNR-M	Lacronite 0.75HP	12.3m ³ /h	0.662kW	926.20 €
24070100PNR-M	Lacronite 1HP	17.2m ³ /h	0.873kW	994.29 €
24070150PNR-M	Lacronite 1.5HP	22.8m ³ /h	1.379kW	1,093.67 €

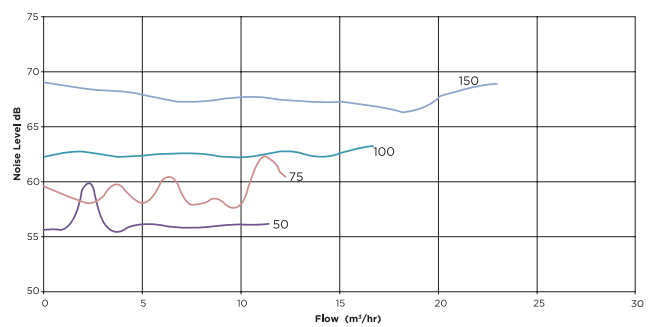
Silicon Carbide seal required for salt water applications, pricing available on request.

The Lacronite pump is ideal for large domestic swimming pools with ancillary systems such as heating, in-floor cleaning, fountains, vacuum cleaning and swim jets.

Flow Curve



Noise Curve



Pumps

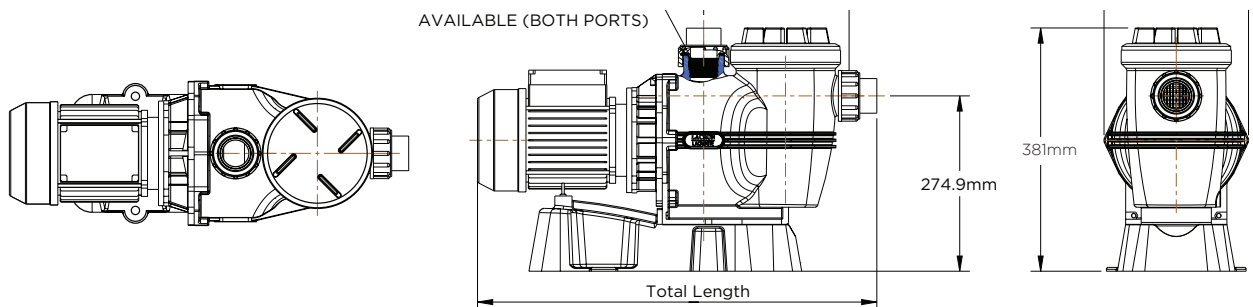
Direct replacement for the STARITE 5P2R and the Hayward Super Pump

NO alteration of plumbing required

Specifications

Model	Flow rate m ³ /hr		Nominal Power (hp)	Motor input (kW)	Amps	Total Length (mm)	Total Width (mm)	Total High (mm)
	8m	10m						
Lacronite 50	8	6	0.50	0.588	3.2	597	227	381
Lacronite 75	9	8	0.75	0.662	3.7	597	227	381
Lacronite 100	14	12	1.00	0.873	4.3	597	227	381
Lacronite 150	19	17	1.50	1.379	6.2	617	227	381

Phase	Volts	Cycle	RPM
1	220 - 240	50	2860



Pumps

LACRONITE ECO-Vs



The Lacronite ECO VS pump is ideal for large domestic swimming pools with ancillary systems such as heating, in-floor cleaning, fountains, vacuum cleaning and swim jets.

WATERCO LACRONITE ECO-VS PUMPS—Single phase 220v–240v, S/S shaft, CE approved

Part No.	Product Description	P. Max	Price
----------	---------------------	--------	-------

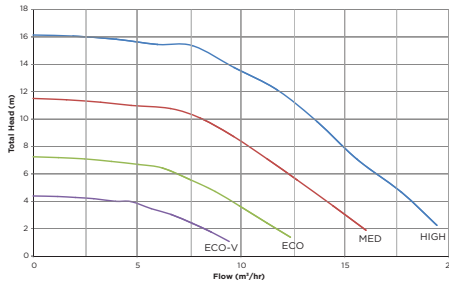
1/2" port supplied with 1/2" imperial & 50mm metric quick connect unions and internal threaded connections.

Pump Warranty - 3 years wet end, 2 years motor and 1 year mechanical seal.

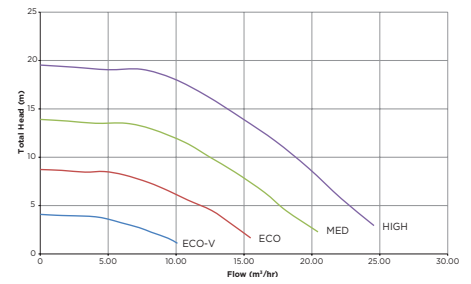
240701009	Lacronite ECO VS 1HP	0.892kW	1,818.65 €
240701509	Lacronite ECO VS 1.5HP	1.209kW	2,291.89 €

Silicon Carbide seal required for salt water applications, pricing available on request.

Flow Curve

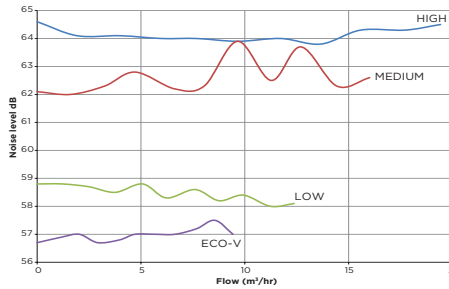


ECO-Vs 100

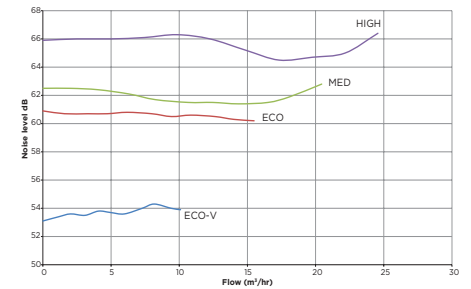


ECO-Vs 150

Noise Curve



ECO-Vs 100



ECO-Vs 150

Direct replacement for the STARITE 5P2R and the Hayward Super Pump
NO alteration of plumbing required

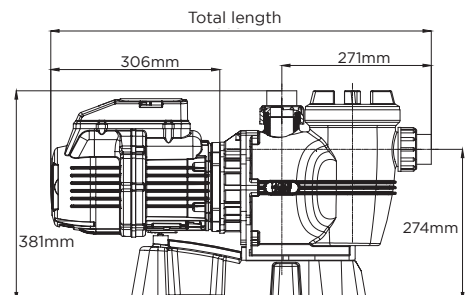
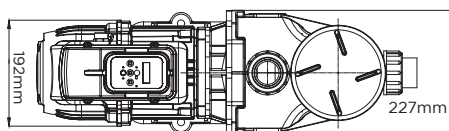


Specifications

Model	Flow rate m³/hr		Nominal Power (hp)	Motor input (kW)	Amps	Total Length (mm)	Total Width (mm)	Total High (mm)
	8m	10m						
Lacronite 100ECO -Vs	14	12	1.00	0.892	6.5	630	227	381
Lacronite 150ECO -Vs	19	17	1.50	1.209	8.5	638	227	381

Phase	Volts	Cycle	RPM
1	220 - 240	50	1900 (Low) , 2410 (Medium) , 2850 (High)

Inlet / outlet ports include external and internal threads



Pumps



The Supatuf is ideal for large domestic swimming pools with ancillary systems.

WATERCO SUPATUF MK2 PUMPS - Single Phase 220v - 240v, S/S shaft

Part No.	Product Description	Q. Max	P. Max	Price
2" port supplied with 2" imperial & 63mm metric quick connect unions				
Pump Warranty - 3 years wet end, 2 years motor and 1 year mechanical seal				
2410500EUM	Supatuf MK2 050	13.8m ³ /hr	0.455kW	866.08 €
2410750EUM	Supatuf MK2 075	15.6m ³ /hr	0.598kW	885.62 €
24110002EUM	Supatuf MK2 100	20.6m ³ /hr	0.841kW	918.94 €
24115002EUM	Supatuf MK2 150	25.5m ³ /hr	1.084kW	987.88 €
2412000EUM	Supatuf MK2 200	30.5m ³ /hr	1.500kW	1,056.69 €
2413000EUM	Supatuf MK2 300	34.6m ³ /hr	1.959kW	1,205.93 €

Silicon carbide seal required for salt water installations, pricing available on request

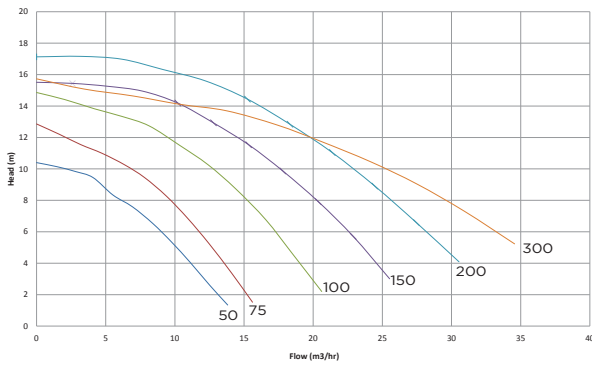
WATERCO SUPATUF MK2 PUMPS - Three Phase 380v - 415v, S/S shaft

Part No.	Product Description	Q. Max	P. Max	Price
2" port supplied with 2" imperial & 63mm metric quick connect unions				
Pump Warranty - 3 years wet end, 2 years motor and 1 year mechanical seal				
24105003PNR-M	Supatuf MK2 050 - suits WCVFD01*	13.9m ³ /hr	0.446kW	866.08 €
24107503PNR-M	Supatuf MK2 075 - suits WCVFD01*	15.5m ³ /hr	0.596kW	885.62 €
241100023PNR-M	Supatuf MK2 100 - suits WCVFD02*	21.4m ³ /hr	0.872kW	918.94 €
241150023PNR-M	Supatuf MK2 150 - suits WCVFD02*	26m ³ /hr	1.09kW	987.88 €
24120003PNR-M	Supatuf MK2 200 - suits WCVFD02*	30.7m ³ /hr	1.479kW	1,056.69 €
24130003E3EUM	Supatuf MK2 300 - suits WCVFD03*	36m ³ /hr	2.073kW	1,183.20 €

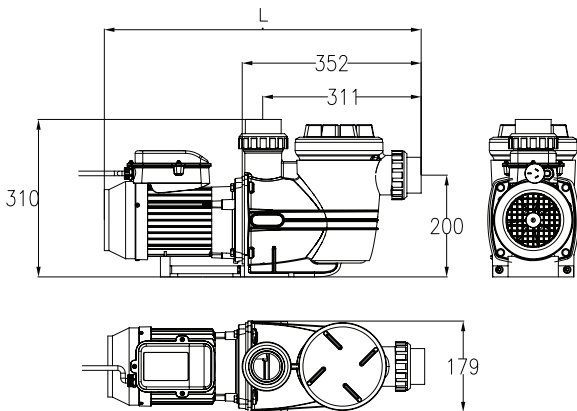
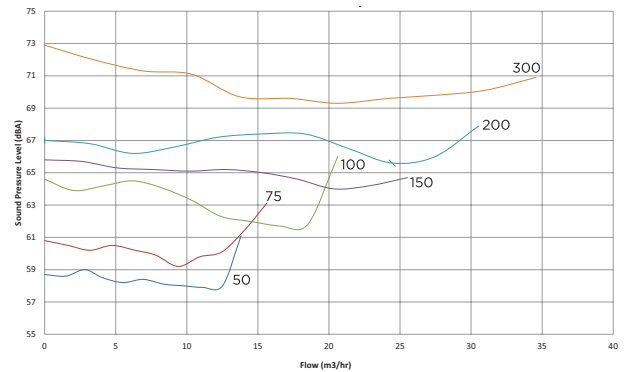
Silicon carbide seal required for salt water installations, pricing available on request.

*For more variable frequency drive (VFD) information, please visit page 68-69

Flow Curve

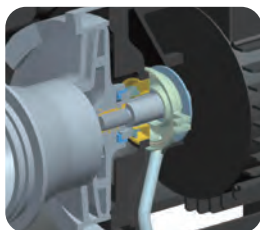


Noise Curve



Specifications

Model	HP	Pmax kW	Amps	Phase	Total Length (mm)	Motor Frame	Flow Rate Qmax.
Supatuf 050	0.50	0.455	2.1	1	602	63	13.8m ³ /hr
Supatuf 050	0.50	0.446	1.1	3	587	71	13.9m ³ /hr
Supatuf 075	0.75	0.598	2.7	1	602	71	15.6m ³ /hr
Supatuf 075	0.75	0.596	1.3	3	587	71	15.5m ³ /hr
Supatuf 100	1.00	0.841	3.70	1	602	71	20.6m ³ /hr
Supatuf 100	1.00	0.872	2.1	3	587	71	21.4m ³ /hr
Supatuf 150	1.50	0.84	4.8	1	623	80	25.5m ³ /hr
Supatuf 150	1.50	1.017	1.9	3	608	80	25.5m ³ /hr
Supatuf 200	2.00	1.500	6.6	1	663	80	30.5m ³ /hr
Supatuf 200	2.00	1.479	2.1	3	629	80	30.7m ³ /hr
Supatuf 300	3.00	1.959	8.8	1	663	80	34.6m ³ /hr
Supatuf 300	3.00	2.073	4.4	3	655	90	36.0m ³ /hr



Phase	Volts	Cycle	RPM
1	220 - 240	50	2860
3	380 - 415	50	2860

Pumps



WATERCO SUPATUF ECO-V PUMPS - Single Phase 220v - 240v, S/S shaft

Part No.	Product Description	P. Max	Price
2" port supplied with 2" imperial & 63mm metric quick connect unions Pump Warranty - 3 years wet end, 2 years motor and 1 year mechanical seal			
24110009EUM	Supatuf Eco-V 100	22.1m ³ /hr	0.84kW 1,949.02 €
24115009EUM	Supatuf Eco-V 150	26.8m ³ /hr	1.03kW 2,444.42 €
Silicon carbide seal required for salt water installations, pricing available on request			

Supatuf ECO-V's 3 speed options cater for most pool functions.

- High speed - Vacuuming and backwash, 1% of the time.
- Medium speed - Automatic pool cleaners.
- Low speed - Filtration, 99% of the time

As a pool's filtration cycle occupies 99% of the run time of a pool pump, you can operate the Supatuf ECO-V on its low speed setting for a majority of its running time, leading to significant energy savings.

Equipped with an energy saving variable speed motor, Supatuf ECO-V is capable of lowering its energy usage, reducing its energy usage and reducing its operating noise levels.

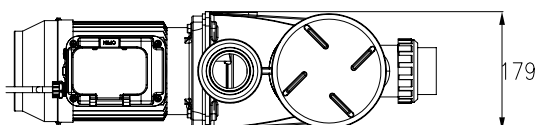
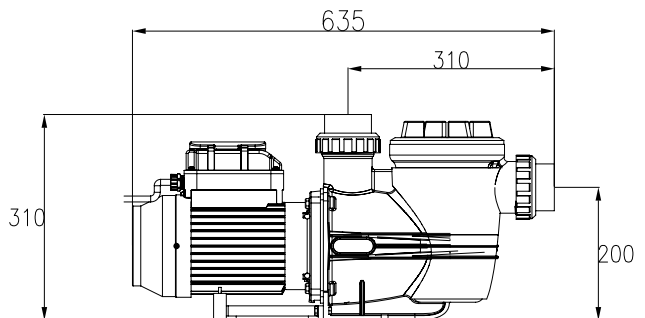
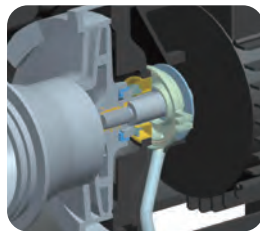
- Permanent magnet brushless DC motor
- Ultra quiet operation
- 2" / 63mm quick connect unions



Specifications

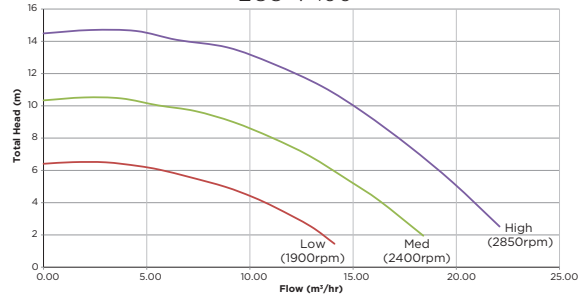
Model	HP	Pmax kW	Amps	Total Length (mm)	input (kW)
Supatuf Eco-V100	1.00	0.813	5.7	635	0.975
Supatuf Eco-V150	1.50	1.012	7.0	635	1.400

Phase	Volts	Cycle	RPM
1	220 - 240	50	1900 (Low) 2410 (Medium) 2850 (High)

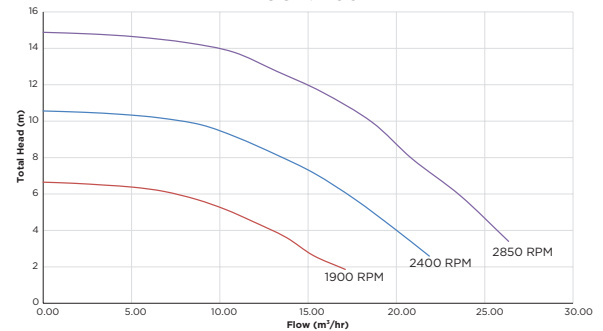


Flow Curve

ECO-V 100

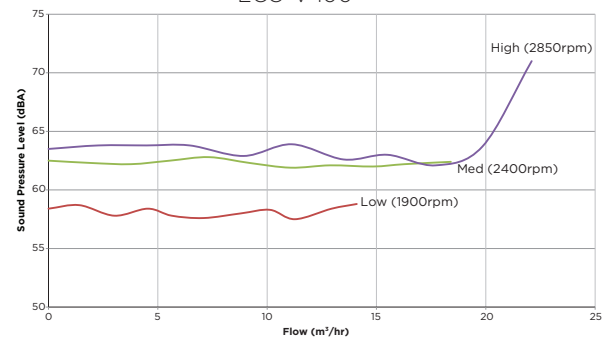


ECO-V 150

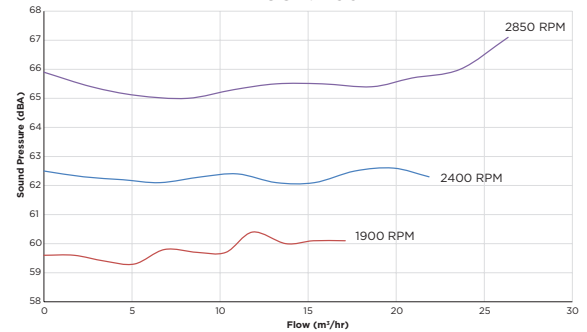


Noise Curve

ECO-V 100



ECO-V 150



Pumps



The Hydrostorm is designed to have all the extra power you need to cope with today's swimming pool designs.

WATERCO HYDROSTORM PUMPS HIGH HEAD - Single Phase 220v - 240v, S/S shaft

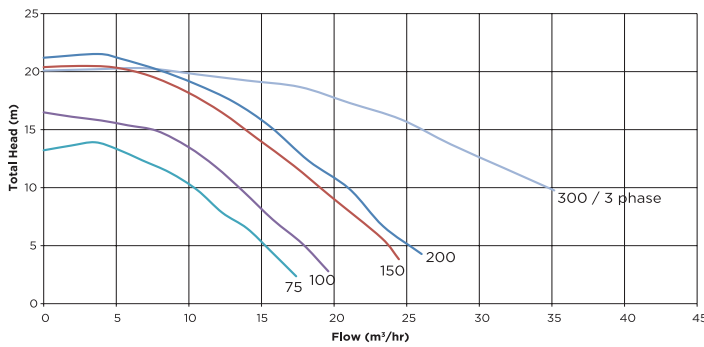
Part No.	Product Description	Q. Max	P. Max	Price
2" port supplied with 2" imperial & 63mm metric quick connect unions. Pump Warranty - 3 years wet end, 2 years motor and 1 year mechanical seal.				
244100PNR-M	Hydrostorm 100	19.7m ³ /hr	0.870kW	973.58 €
244150PNR-M	Hydrostorm 150	24.7m ³ /hr	1.310kW	1,053.24 €
244200PNR-M	Hydrostorm 200	25.9m ³ /hr	1.920kW	1,123.97 €
244300PNR-M	Hydrostorm 300	36.3m ³ /hr	2.150kW	1,561.22 €
Silicon carbide seal required for salt water installations, pricing available on request				

WATERCO HYDROSTORM PUMPS HIGH HEAD - Three Phase 380v - 415v, S/S shaft

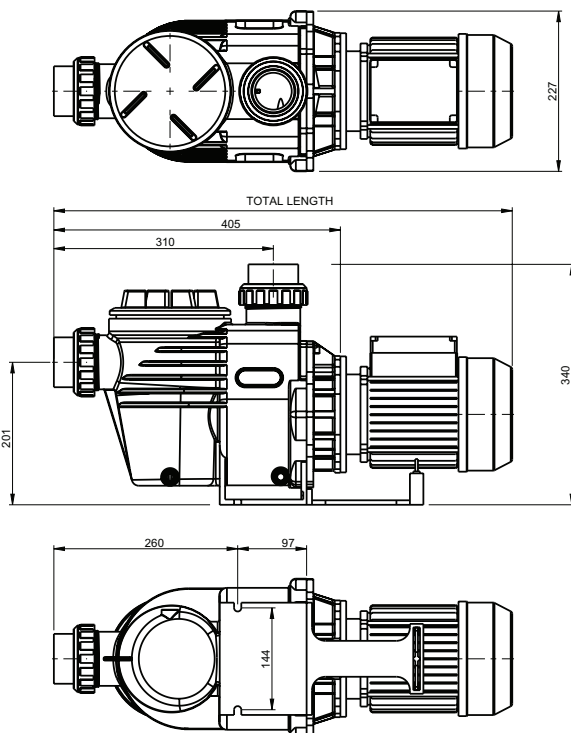
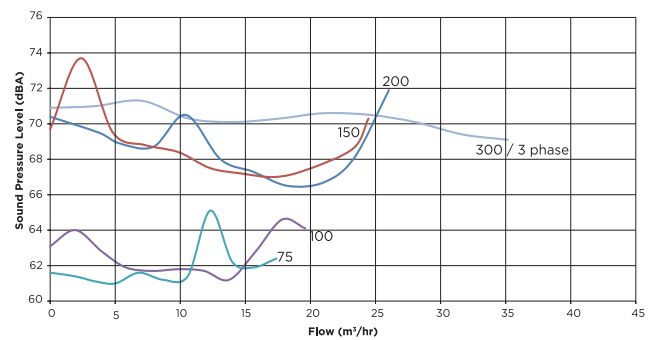
Part No.	Product Description	Q. Max	P. Max	Price
2" port supplied with 2" imperial & 63mm metric quick connect unions. Pump Warranty - 3 years wet end, 2 years motor and 1 year mechanical seal.				
2441003EUM	Hydrostorm 100 - suits WCVFD02*	19.7m ³ /hr	0.860kW	988.00 €
2441503PNR-M	Hydrostorm 150 - suits WCVFD02*	24.1m ³ /hr	1.282kW	1,053.24 €
2442003PNR-M	Hydrostorm 200 - suits WCVFD02*	26.3m ³ /hr	1.490kW	1,123.97 €
2443003E3EUM	Hydrostorm 300 - suits WCVFD03*	36.3m ³ /hr	2.152kW	1,561.22 €

Price and availability for TÜV approved models available on request
Silicon carbide seal required for salt water installations, pricing available on request.
*For more variable frequency drive (VFD) information, please visit page 68-69

Flow Curve



Noise Level



Specifications

Model	HP	Pmax KW	Amps	Phase	Total Length (mm)	Motor Frame	Flow Rate Qmax.
Hydrostorm 100	1.00	0.870	3.8	1	622	71	19.7m ³ /hr
Hydrostorm 100	1.00	0.860	2.1	3	618	71	19.7m ³ /hr
Hydrostorm 150	1.50	1.310	5.4	1	642	80	24.7m ³ /hr
Hydrostorm 150	1.50	1.382	2.4	3	647	80	24.1m ³ /hr
Hydrostorm 200	2.00	1.92	6.1	1	642	80	25.9m ³ /hr
Hydrostorm 200	2.00	1.49	3.2	3	647	80	26.3m ³ /hr
Hydrostorm 300	3.00	2.150	10.0	1	682	80	36.3m ³ /hr
Hydrostorm 300	3.00	2.152	4.2	3	691	80	36.3m ³ /hr

Phase	Volts	Cycle	RPM
1	220 - 240	50	2860
3	380 - 415	50	2860

Pumps



The Hydrostorm Plus has all the proven features of the Hydrostorm with the added benefit of an innovative lid and locking for easier maintenance and a larger strainer basket for increased capacity.

WATERCO HYDROSTORM PLUS PUMPS HIGH HEAD - Single Phase, S/S shaft

Part No.	Product Description	Q. Max	P. Max	Price
2" Ports supplied with imperial & metric quick connect unions. Pump Warranty - 3 years wet end, 2 years motor and 1 year mechanical seal.				
2405100PNR-M	Hydrostorm Plus 100 - 2" / 63mm	19.8m ³ /hr	0.910kW	973.58 €
2405150PNR-M	Hydrostorm Plus 150 - 2" / 63mm	25.2m ³ /hr	1.380kW	1,053.24 €
2405200PNR-M	Hydrostorm Plus 200 - 2" / 63mm	25.9m ³ /hr	1.420kW	1,123.97 €
2405300PNR-M	Hydrostorm Plus 300 - 2.5" / 75mm	34.9m ³ /hr	1.87kW	1,318.79 €

Silicon carbide seal required for salt water installations, pricing available on request

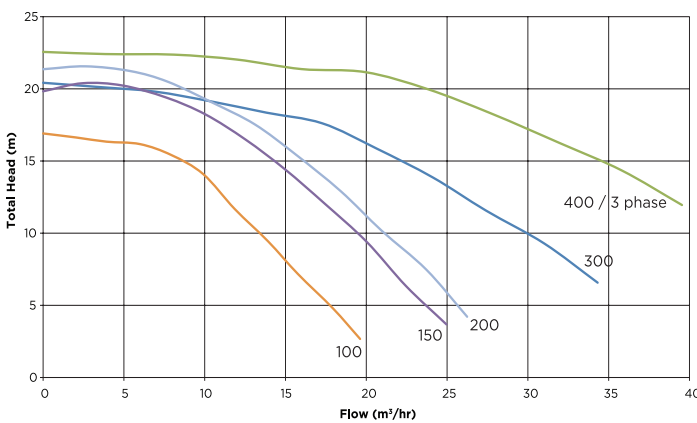
WATERCO HYDROSTORM PLUS PUMPS HIGH HEAD -Three Phase, S/S shaft

Part No.	Product Description	Q. Max	P. Max	Price
24051503E3EUM	Hydrostorm Plus 150 - 2" / 63mm - suits WCVFD02*	24.0m ³ /hr	1.300kW	1,053.24 €
24052003E3EUM	Hydrostorm Plus 200 - 2" / 63mm - suits WCVFD02*	26.4m ³ /hr	1.511kW	1,162.80 €
24053003E3EUM	Hydrostorm Plus 300 - 2.5" / 75mm - WCVFD03*	36.6m ³ /hr	2.096kW	1,331.10 €
24054003E3EUM	Hydrostorm Plus 400 - 2.5" / 75mm - suits WCVFD04*	51.0m ³ /hr	2.738kW	1,683.00 €

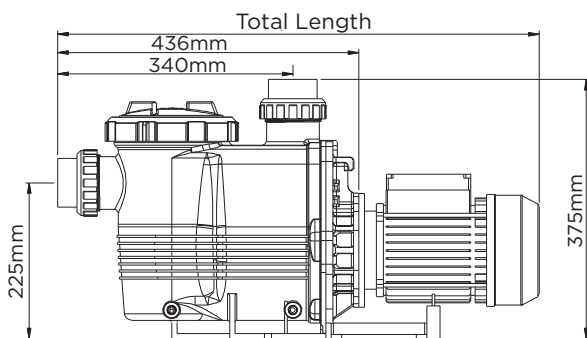
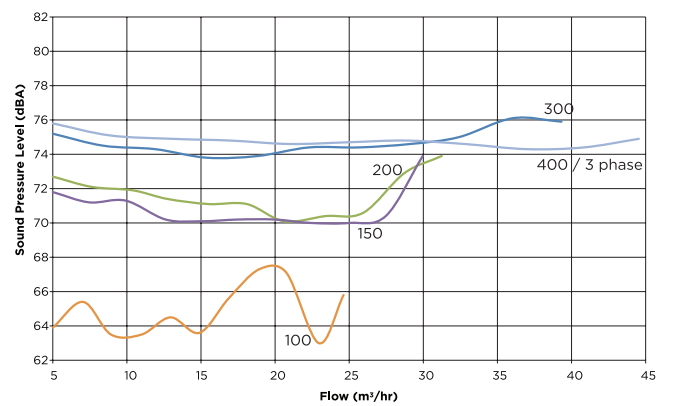
Silicon carbide seal required for salt water installations, pricing available on request.

*For more variable frequency drive (VFD) information, please visit page 68-69

Flow Curve



Noise Level



Specifications

Model	HP	Pmax kW	Amps/Phase	Phase	Total Length (mm)	Motor Frame	Flow Rate Qmax.
Hydrostorm Plus 100	1.00	0.910	4.0	1	652	71	19.8m ³ /hr
Hydrostorm Plus 150	1.50	1.380	5.7	1	672	80	25.2m ³ /hr
Hydrostorm Plus 150	1.50	1.30	2.4	3	677	80	24.0m ³ /hr
Hydrostorm Plus 200	2.00	1.402	6.1	1	672	80	25.9m ³ /hr
Hydrostorm Plus 200	2.00	1.511	2.4	3	677	80	26.4m ³ /hr
Hydrostorm Plus 300	3.00	2.007	8.8	1	729	80	34.9m ³ /hr
Hydrostorm Plus 300	3.00	2.096	4.3	3	738	90	36.3m ³ /hr
Hydrostorm Plus 400	4.00	2.738	5.5	3	757	100	41.0m ³ /hr

Phase	Volts	Cycle	RPM
1	220 - 240	50	2860
3	380 - 415	50	2860

Pumps



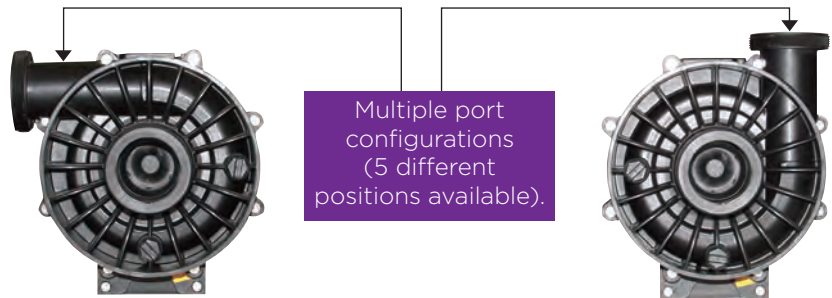
WATERCO TURBOFLO PUMPS - Single Phase 220v - 240v, Three phase 380v - 415v, S/S shaft, CE approved

Part No.	Product Description	Q. Max	P. Max	Price
2" port supplied with 2" imperial and 63mm metric quick connect unions. Pump Warranty - 3 years wet end, 2 years motor and 1 year mechanical seal.				
2462100PNR-M	TurboFlo 100	21.4m ³ /hr	0.940kW	823.19 €
2462125PNR-M	TurboFlo 125	22.4m ³ /hr	1.050kW	849.61 €
2462150PNR-M	TurboFlo 150	27.1m ³ /hr	1.400kW	902.72 €
2462200PNR-M	TurboFlo 200	29.0m ³ /hr	1.414kW	964.77 €
2462250PNR-M	TurboFlo 250	33.3m ³ /hr	1.700kW	1,026.69 €
2462300PNR-M	TurboFlo 300	40.2m ³ /hr	2.480kW	1,150.52 €
2462400E3EUM	TurboFlo 400 (three phase)	48.3m ³ /hr	3.060kW	1,386.19 €

TurboFlo is a hydraulically efficient, high performance pump designed for pools and spas with high power requirements. It has an adjustable wet end which can be configured to suit up to 5 different plumbing conditions.

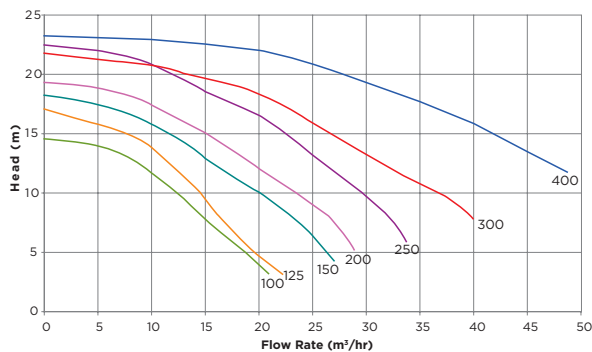
Adjustable wet end

The outlet port of the TurboFlo can be configured to suit different plumbing conditions.

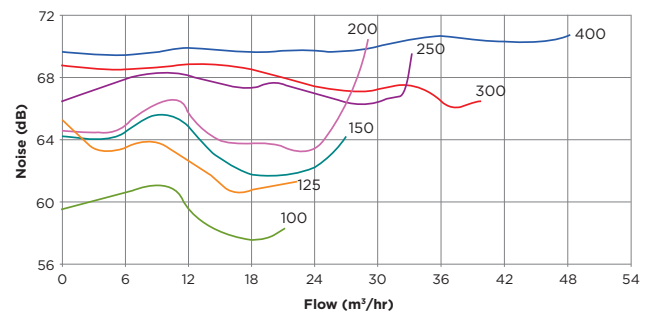


Pumps

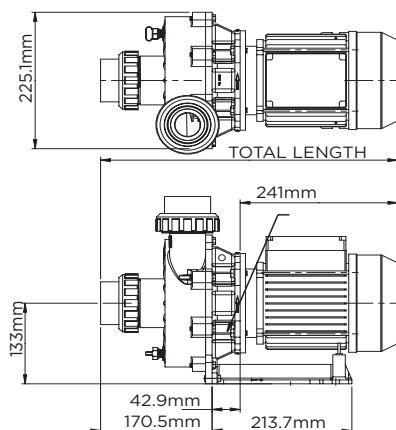
Flow Curves



Noise Curve

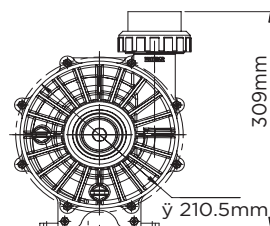


Dimensions



Model	Nominal Power (hp)	Motor Input (kW)	Amps	Total Length (mm)	Motor Frame (mm)	Inlet/Outlet
TurboFlo 100	1.00	0.940	4.1	430	71	2"/63mm
TurboFlo 125	1.25	1.050	4.5	450	80	2"/63mm
TurboFlo 150	1.50	1.400	5.9	450	80	2"/63mm
TurboFlo 200	2.00	1.414	6.3	450	80	2"/63mm
TurboFlo 250	2.50	1.700	8.2	490	80	2"/63mm
TurboFlo 300	3.00	2.480	9.1	490	80	2"/63mm
TurboFlo 400	4.00	3.060	5.7	522	100	2"/63mm

Phase	Volts	Cycle	RPM
1	220 - 240	50	2860
3	380 - 415	50	2860



Commercial Pumps



Commercial Pumps



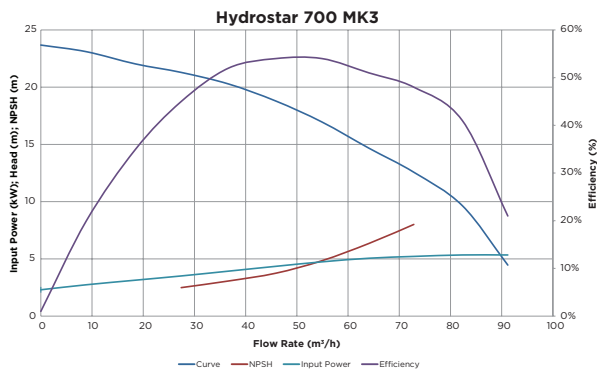
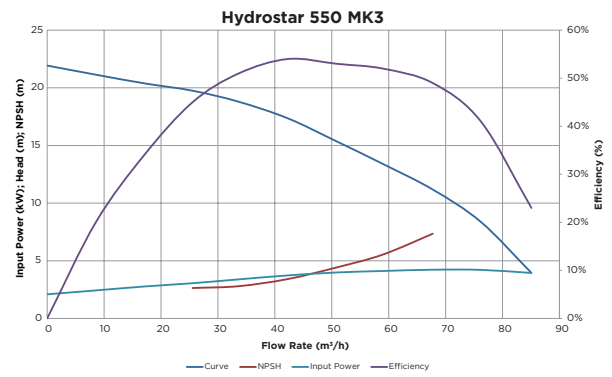
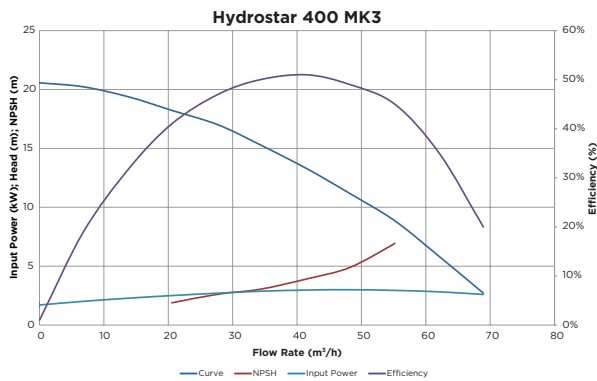
WATERCO HYDROSTAR MK3 PUMPS - HIGH HEAD

Part No.	Product Description	Q. Max	P. Max	Price
3" port supplied with 3" imperial & 90mm Metric quick connect unions				
240440033E3EUM	Hydrostar 400 MKIII - suits WCVFD04*	61.0m ³ /hr	2.92kW	1,643.44 €
240455033GEUM	Hydrostar 550 MKIII - suits WCVFD04*	68.0m ³ /hr	3.16kW	1,955.33 €
240470033GEUM	Hydrostar 700 MKIII - suits WCVFD05*	77.0m ³ /hr	5.18kW	2,211.42 €

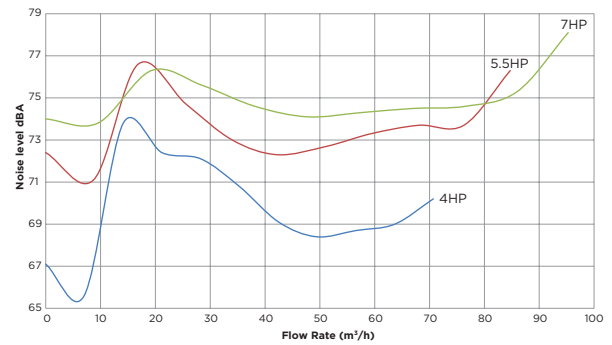
Silicon carbide seal required for salt water installations, pricing available on request.

*For more variable frequency drive (VFD) information, please visit page 68-69

Flow Curve



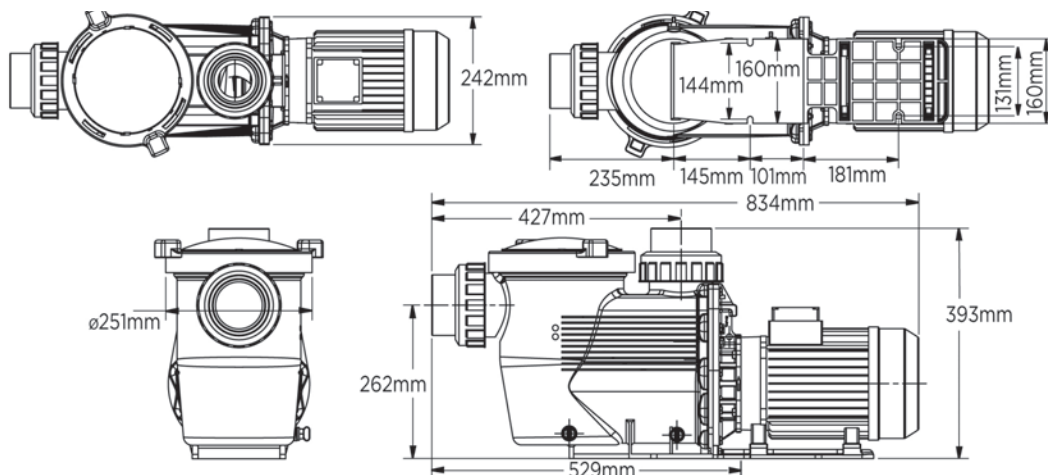
Noise Levels



The Hydrostar MKIII has been designed with an internal volute. The volute's hydraulic design provides a natural balanced water flow and reduces hydraulic turbulence

Model	Nom HP	kW	Hmax (m)	Pmax (kW)	Qmax (m ³ /hr)	Amps / Phase	Total Length (mm)	Motor Frame
Hydrostar 400 MKIII	4.0	3.002	20.6	3.002	68.9	5.8	834	100
Hydrostar 550 MKIII	5.5	4.227	21.9	4.436	85.1	8.1	857	112
Hydrostar 700 MKIII	7.0	5.344	23.7	5.344	91.2	10.3	857	112

Phase	Volts	Cycle	RPM
3	380 - 420	50	2900



Commercial Pumps



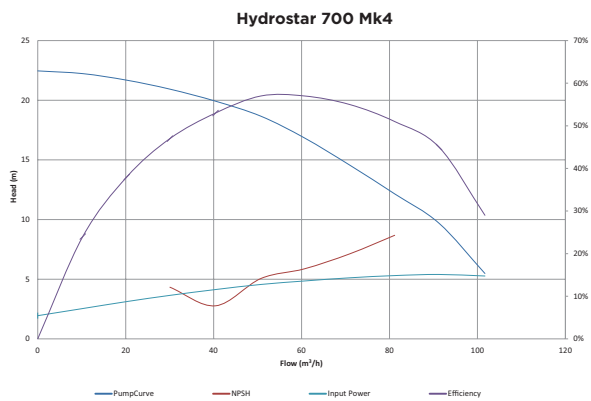
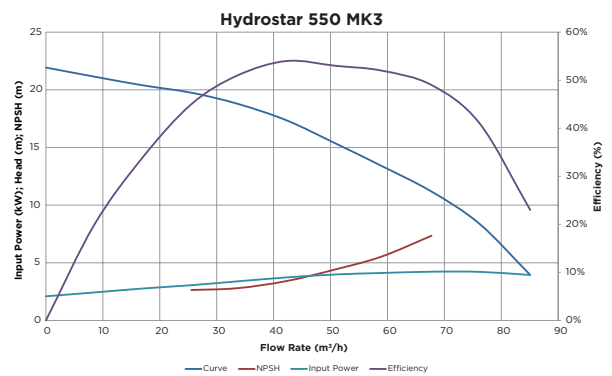
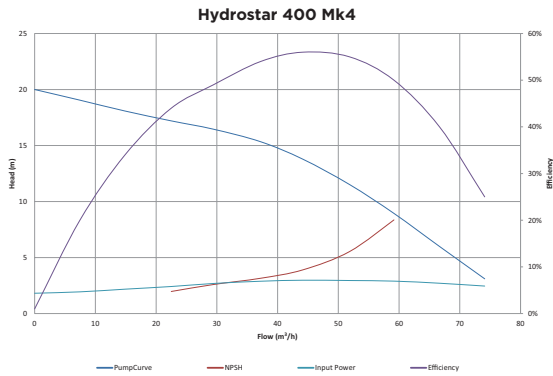
WATERCO HYDROSTAR MK4 PUMPS - HIGH HEAD

Part No.	Product Description	Q. Max	P. Max	Price
3" port supplied with 3" imperial & 90mm Metric quick connect unions				
2404400333EUM	Hydrostar 400 MKIV - suits WCVFD04*	61.0m ³ /hr	2.92kW	1,643.44 €
2404550333GEUM	Hydrostar 550 MKIV - suits WCVFD04*	68.0m ³ /hr	3.16kW	1,955.33 €
2404700333GEUM	Hydrostar 700 MKIV - suits WCVFD05*	77.0m ³ /hr	5.18kW	2,211.42 €

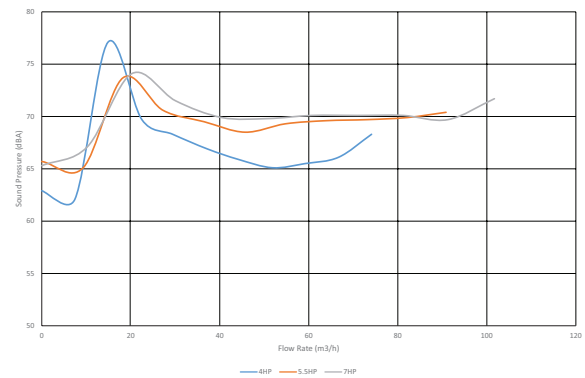
Silicon carbide seal required for salt water installations, pricing available on request.

*For more variable frequency drive (VFD) information, please visit page 68-69

Flow Curve



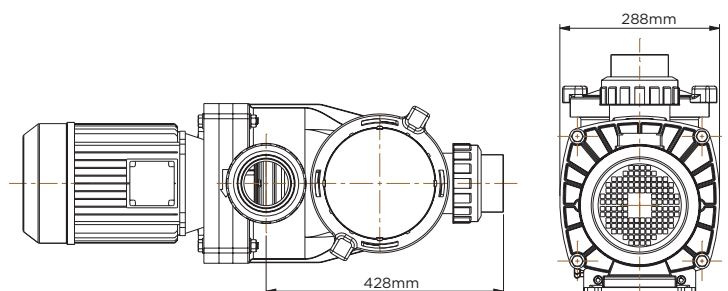
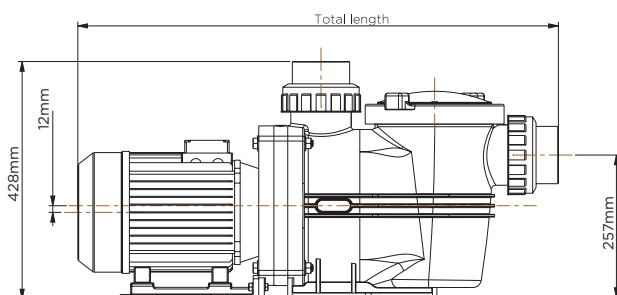
Noise Levels



Model	Nom HP	kW	Hmax (m)	Pmax (kW)	Qmax (m ³ /hr)	Amps / Phase	Total Length (mm)	Motor Frame
Hydrostar MKIV 400	4.0	2.975	20.0	2.975	74.1	5.8	888	100
Hydrostar MKIV 500	5.5	4.264	21.7	4.264	90.8	8.1	908	112
Hydrostar MKIV 700	7.0	5.398	22.5	5.398	10.7	10.3	970	112

Phase	Volts	Cycle	RPM
3	380 - 420	50	2900

The Hydrostar MKIV has been designed to provide a substantially quieter operation with even higher flow rates and higher head than the previous Hydrostar models. Waterco has optimised the pump's hydraulic efficiency by reshaping its internal profile.



Commercial Pumps

Commercial Pumps



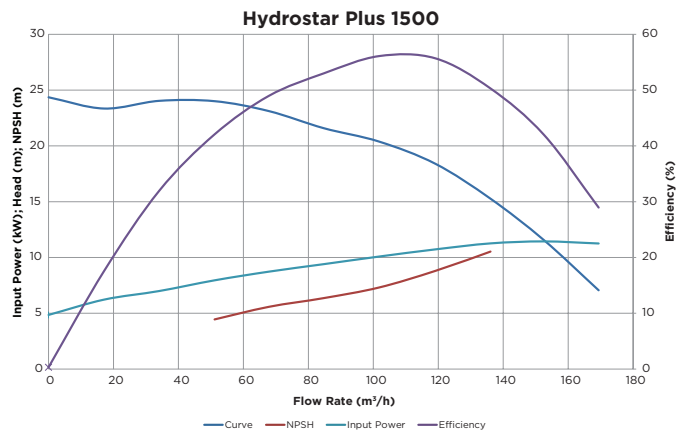
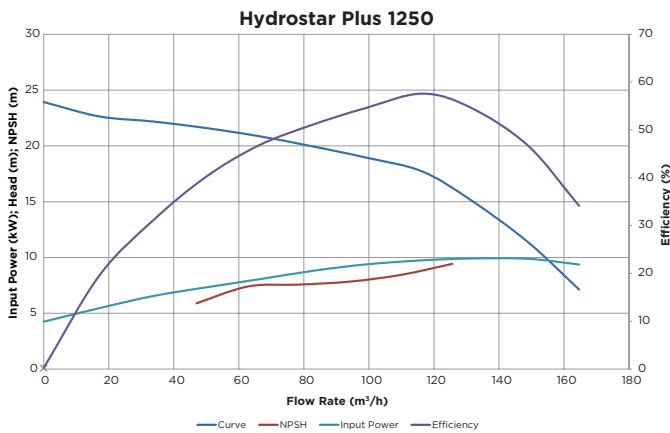
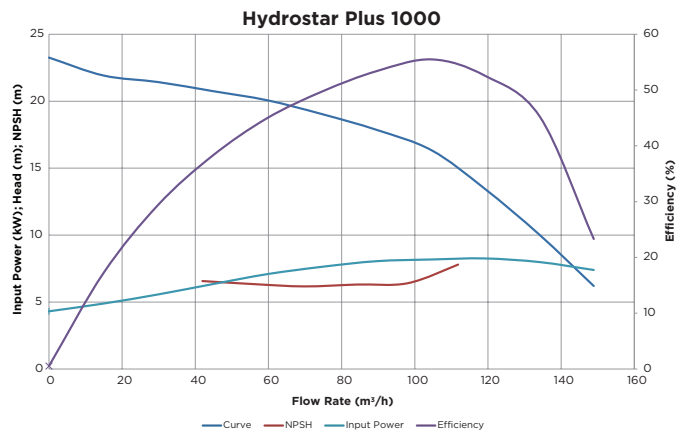
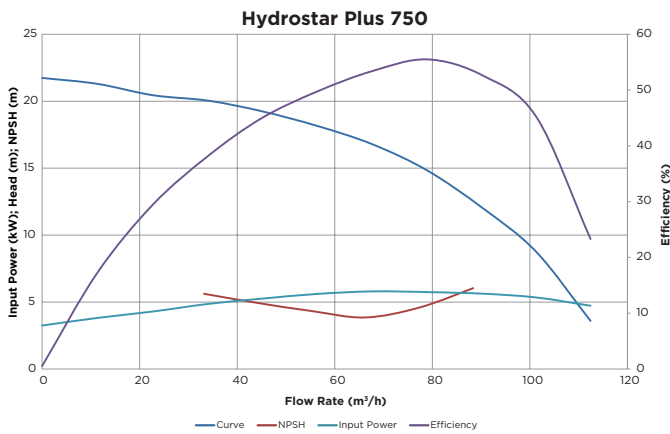
WATERCO HYDROSTAR PLUS 2940 RPM - W/STRAINER - Three Phase 380v - 415v

Part No.	Product Description	Q. Max	P. Max	Price
2460750GEUM	Hydrostar Plus 5.5kW / 7.5HP - suits WCVFD05*	122.40m ³ /hr	6.2kW	3,663.47 €
2461000EUM	Hydrostar Plus 7.5kW / 10HP - suits WCVFD06*	152.40m ³ /hr	8.5kW	4,176.08 €
2461250EUM	Hydrostar Plus 9.5kW/12.5HP - suits WCVFD07*	164.64m ³ /hr	9.9kW	4,619.04 €
2461500EUM	Hydrostar Plus 11kW / 15HP - suits WCVFD07*	164.64m ³ /hr	11kW	5,013.20 €

*For more variable frequency drive (VFD) information, please visit page 68-69

Purpose built for aquatic facilities, water parks and large commercial swimming pools. Hydrostar Plus pumps are high performance corrosion resistant thermoplastic pumps.

Flow Curve

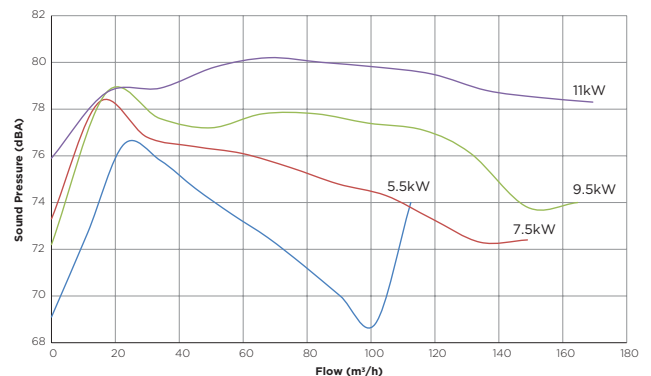


Specifications

Model	Nom. HP	kW	Pmax (kW)	Qmax (m ³ /hr)	Amps/Phase	Total Length (mm)	Motor Frame
5.5kW / 7.5HP	8.3	6.2	6.2	122.40	10.15	1188	132
7.5kW / 10HP	11.4	8.5	8.5	152.40	14.35	1188	132
9.5kW / 12.5HP	14.0	10.5	9.9	164.64	17.6	1218	132
11kW / 15HP	15.0	11.4	11.44	164.40	20.3	1218	132

Phase	Volts	Cycle	RPM
3	380 - 415	50	2940

Noise Level



Commercial Pumps



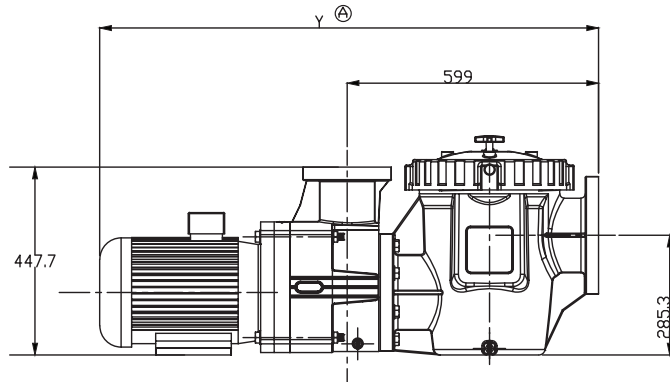
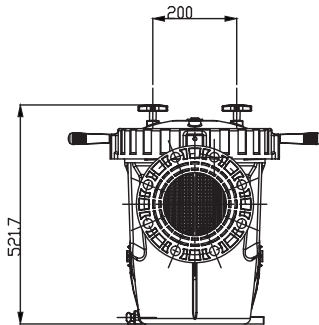
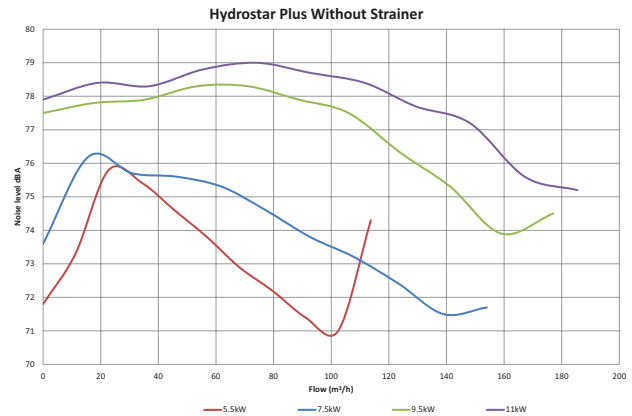
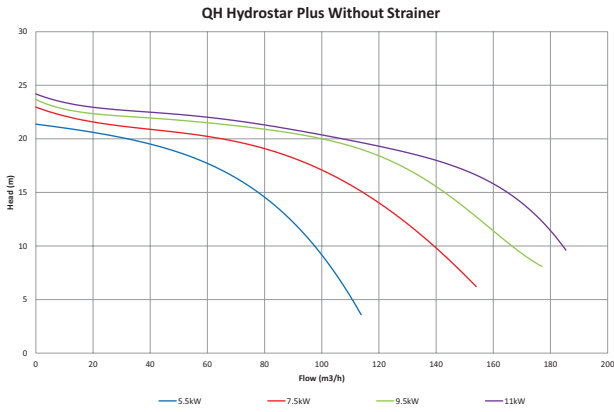
WATERCO HYDROSTAR PLUS 2940 RPM - W/O STRAINER - Three Phase 380v - 415v

Part No.	Product Description	Q. Max	P. Max	Price
2460751EUM	Hydrostar Plus 5.5kW / 7.5HP - suits WCVFD05*	122.40m ³ /hr	6.2kW	3,297.18 €
2461001GEUM	Hydrostar Plus 7.5kW / 10HP - suits WCVFD06*	152.40m ³ /hr	8.5kW	3,758.37 €
2461251EUM	Hydrostar Plus 9.5kW / 12.5HP - suits WCVFD07*	164.64m ³ /hr	9.9kW	4,157.20 €
2461501EUM	Hydrostar Plus 11kW / 15HP - suits WCVFD07*	164.64m ³ /hr	11.442kW	4,461.93 €

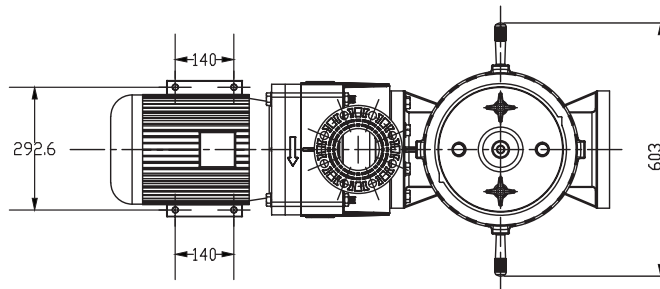
*For more variable frequency drive (VFD) information, please visit page 68-69

Flow Curve

Noise Curve



Motor (kW)	Total Length (mm)
5.5	1188
7.5	1188
9.5	1218
11	1218



WATERCO BH5000 FLANGE ASSEMBLY KITS

Part No.	Product Description	Nominal Size	Price
ZZGP600FK	6" Flange Assembly Kit - (Suction)	6"	440.59 €
ZZGP400FKAS	4" Flange Assembly Kit ANSI - (Discharge)	4"	343.45 €
ZZGP160FK	160mm Flange Assembly Kit - (Suction)	160mm	332.72 €
ZZGP110FKAS	110mm Flange Assembly Kit ANSI - (Discharge)	110mm	317.19 €

Note: Flange Assembly Kits Include:

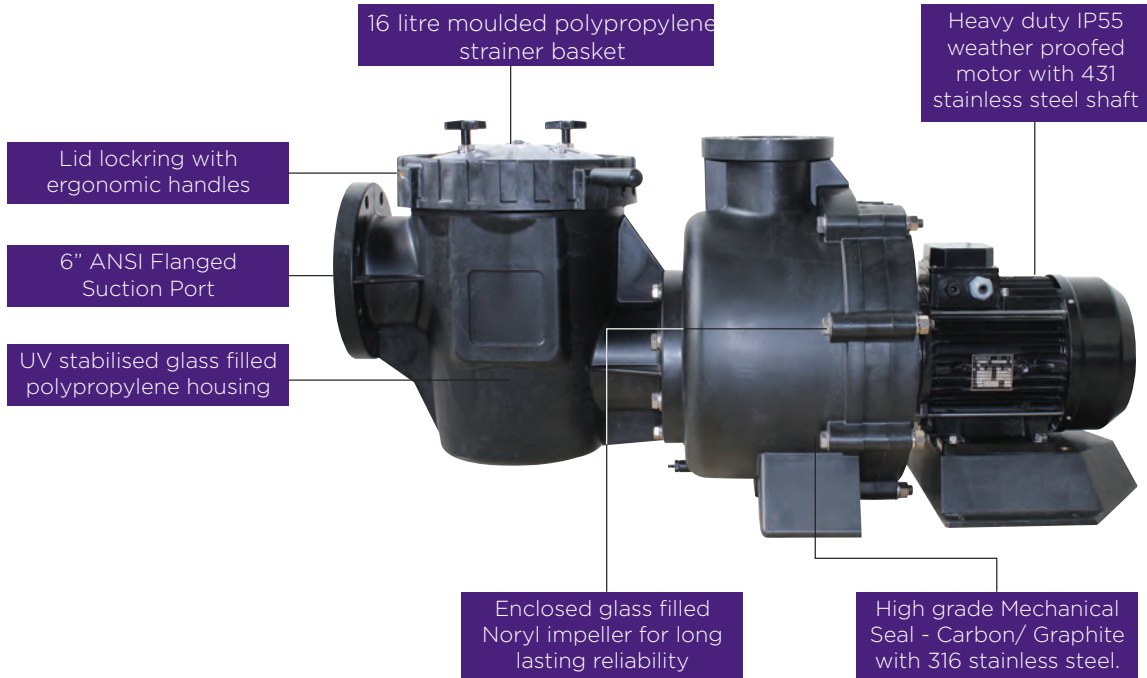
1 x Backing Ring, 1 x Stub Flange, 1 x Stub Gasket, 8 x bolts, 8 x Nuts and 16 x Washers

Commercial Pumps

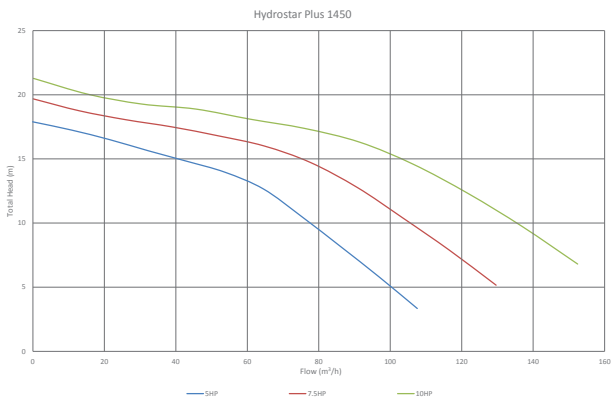
The Hydrostar Plus 1450 Rpm has been designed for maximum energy efficiency and optimal performance whilst maintaining super quiet operation.

WATERCO HYDROSTAR PLUS 1450 RPM W/Strainer- Three Phase 380v - 415v

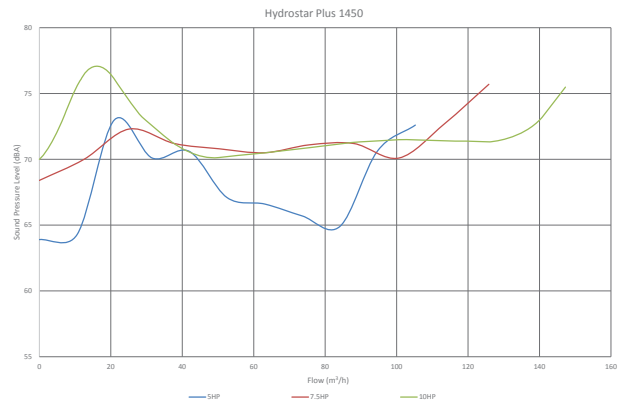
Part No.	Product Description	Q. Max	P. Max	Price
2470500EUM	Hydrostar Plus 3.7 kW / 5.0HP	122.40m ³ /hr	6.2kW	4,762.53 €
2470750EUM	Hydrostar Plus 5.5kW / 7.5HP	152.40m ³ /hr	8.5kW	4,840.44 €
2471000EUM	Hydrostar Plus 7.5kW / 10HP	164.64m ³ /hr	9.9kW	5,263.43 €



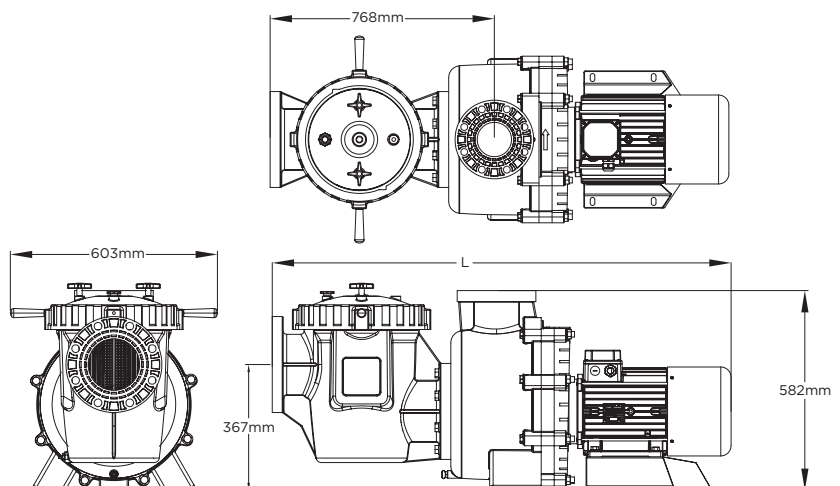
Flow Curve



Noise Curve



Motor (kW)	Total Length (mm)
3.7	1236
5.5	1274
7.5	1340



Commercial Pumps

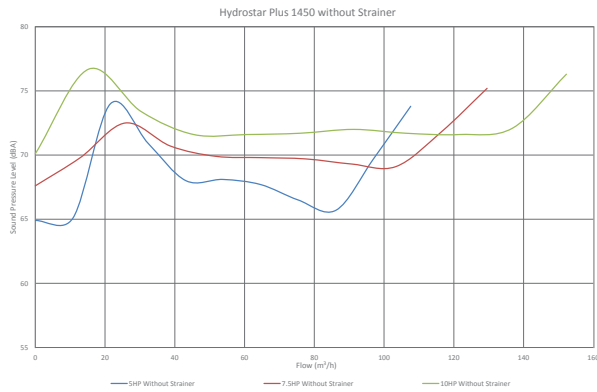


WATERCO HYDROSTAR PLUS 1450 RPM W/O Strainer- Three Phase 380v - 415v

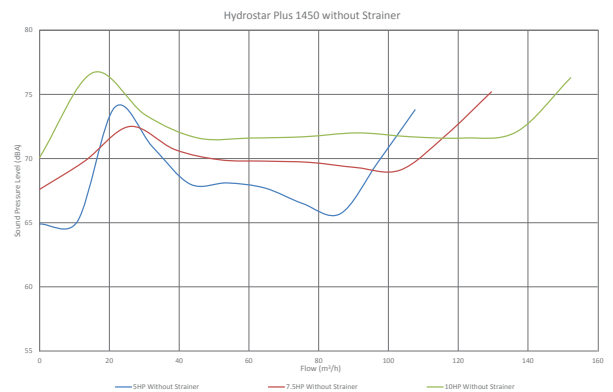
Part No.	Product Description	Q. Max	P. Max	Price
2470501EUM	Hydrostar Plus 3.7 kW / 5.0HP	122.40m ³ /hr	6.2kW	4,233.79 €
2470751EUM	Hydrostar Plus 5.5kW / 7.5HP	152.40m ³ /hr	8.5kW	4,311.70 €
2471001EUM	Hydrostar Plus 7.5kW / 10HP	164.64m ³ /hr	9.9kW	4,734.70 €

For flange kits see page 67

Flow Curve



Noise Curve



Specifications - Hydrostar Plus 1450 Pump With Strainer, Standard Seal

Model	Input Power kW	HP	Amps	Qmax (m ³ /h)	Hmax (m)	Hmin (m)	Weight (kg)	Total Length (mm)	Motor Input Power (kW)	Motor I _{max} (Amp)
2470500	4.155	5.57	8.7	105.2	17.92	3.35	89	1236	4.186	8.7
2470750	5.749	7.70	11.8	125.8	19.09	4.49	96	1274	6.138	11.8
2471000	7.763	10.40	16.3	147.2	20.65	6.05	12	1340	8.296	16.1

Specifications - Hydrostar Plus 1450 Pump Without Strainer, Standard Seal

Model	Input Power kW	HP	Amps	Qmax (m ³ /h)	Hmax (m)	Hmin (m)	Weight (kg)	Total Length (mm)	Motor Input Power (kW)	Motor I _{max} (Amp)
2470501	4.150	5.56	8.8	107.6	18.03	3.48	73	729	4.186	8.7
2470751	5.645	7.56	11.6	129.5	19.28	4.76	80	767	6.138	11.8
2471001	7.857	10.53	16.3	152.3	20.99	6.52	96	833	8.296	16.1

Phase	Volts	Cycle	RPM
3	380 - 420	50	1450

Waterco Pumps Specifications

Waterco Pump Specifications

Pump Model	Self Priming	Motor Rating	Max Water	Mechanical Seal
Aquamite	Yes	IPX5 Class F	40 °C	Alumina Ceramic/SS316/Carbon (Silicon Carbide optional for sea water)
Supastream	Yes	IPX5 Class F	40 °C	Alumina Ceramic/SS316/Carbon (Silicon Carbide optional for sea water)
Lacronite	Yes	IPX5 Class F	40 °C	Alumina Ceramic/SS316/Carbon (Silicon Carbide optional for sea water)
Supatuf	Yes	IPX5 Class F	40 °C	Alumina Ceramic/SS316/Carbon (Silicon Carbide optional for sea water)
Hydrostorm	Yes	IPX5 Class F	40 °C	Alumina Ceramic/SS316/Carbon (Silicon Carbide optional for sea water)
Hydrostorm Plus	Yes	IPX5 Class F	40 °C	Alumina Ceramic/SS316/Carbon (Silicon Carbide optional for sea water)
Turboflo	Yes	IPX5 Class F	40 °C	Alumina Ceramic/SS316/Carbon (Silicon Carbide optional for sea water)
Hydrostar Mk 3	Yes	IPX5 Class F	40 °C	Alumina Ceramic/SS316/Carbon (Silicon Carbide optional for sea water)
Hydrostar Mk 4	Yes	IPX5 Class F	40 °C	Alumina Ceramic/SS316/Carbon (Silicon Carbide optional for sea water)
Hydrostar Plus 2940	Yes	IPX5 Class F	40 °C	Alumina Ceramic/SS316/Carbon (Silicon Carbide optional for sea water)
Hydrostar Plus 1450	Yes	IPX5 Class F	40 °C	Alumina Ceramic/SS316/Carbon (Silicon Carbide optional for sea water)

Waterco Pump Material Specifications

Pump Model	Body	Impellor	Shaft	Strainer Basket	Strainer Lid
Aquamite	Glass filled thermoplastic	GF Noryl	303/431	Polypropylene	Polycarbonate
Supastream	Glass filled thermoplastic	GF Noryl	303/431	Polypropylene	Polycarbonate
Lacronite	Glass filled thermoplastic	GF Noryl	303/431	Polypropylene	Polycarbonate
Supatuf	Glass filled thermoplastic	GF Noryl	303/431	Polypropylene	Polycarbonate
Hydrostorm	Glass filled thermoplastic	GF Noryl	303/431	Polypropylene	Polycarbonate
Hydrostorm Plus	Glass filled thermoplastic	GF Noryl	303/431	Polypropylene	Polycarbonate
Turboflo	Glass filled thermoplastic	GF Noryl	303/431	Polypropylene	Polycarbonate
Hydrostar Mk 3	Glass filled thermoplastic	GF Noryl	431	Polypropylene	Polycarbonate
Hydrostar Mk 4	Glass filled thermoplastic	GF Noryl	431	Polypropylene	Polycarbonate
Hydrostar Plus 2940	Glass filled thermoplastic	GF Noryl	431	Polypropylene	Polycarbonate
Hydrostar Plus 1450	Glass filled thermoplastic	GF Noryl	431	Polypropylene	Polycarbonate

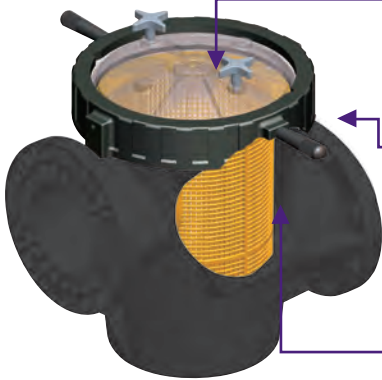


Commercial Strainers



HYDRO COMMERCIAL STRAINER

Part No.	Product Description	Inlet / Outlet	Price
2409058	Hydro Commercial Strainer - Flanged	6" / 6"	805.74 €
2409057	Hydro Commercial Strainer - Flanged	4" / 6"	782.24 €
2408054	Hydro Commercial Strainer - Quick-connect inlet / flanged outlet	4" / 4" (110mm)	766.57 €

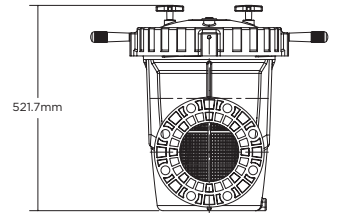
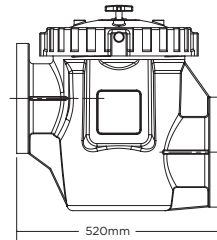
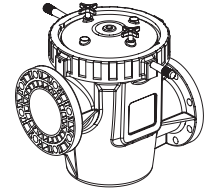
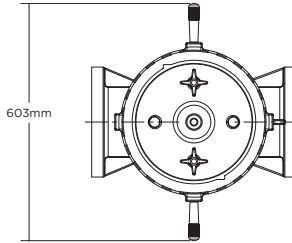


Clear polycarbonate strainer lid enables an instant view of the strainer basket.

Lockring with easy grip handles - no tools required for simple removal & replacement of the lid.

Flanged / union connections

Moulded 16L polypropylene basket.



HYDRO COMMERCIAL STRAINER FLANGE ASSEMBLY KITS

Part No.	Product Description	Nom Size	Price
ZZGP600FK	6" Flange Assembly Kit	6"	440.59 €
ZZGP400FK	4" Flange Assembly Kit	4"	324.88 €
ZZGP160FK	160mm Flange Assembly Kit	160mm	332.72 €
ZZGP110FK	110mm Flange Assembly Kit	110mm	285.27 €

Note: Flange Assembly Kits Include:

1 x Backing Ring, 1 x Stub Flange, 1 x Stub Gasket, 8 x bolts, 8 x Nuts and 16 x Washers



AUTO AIR RELEASE VALVE

Part No.	Product Description	Nom Size	Price
620230	1" Air Release Valve Auto	1"	279.74 €
6209448	Manhole lid - oval- to suit 620230 ARV - for use with models SMDD/SPDD up to 2200 model		936.21 €
W74850	Manhole lid - oval- to suit 620230 ARV - for use with models SMDD/SPDD up to 2350/2500 models		962.00 €



MOUNTED SIGHT GLASS

Part No.	Product Description	Nom. Size	Price
SPXSG300	Mounted sight glass	3"	271.89 €
SPXSG400	Mounted sight glass	4"	285.21 €
SPXSG600	Mounted sight glass	6"	552.71 €
SPXSG90	Mounted sight glass	90mm	271.89 €
SPXSG110	Mounted sight glass	110mm	285.21 €
SPXSG160	Mounted sight glass	160mm	552.71 €

Variable Frequency Drives



Manufactured in the UK, the Waterco Variable Frequency Drive (VFD) range has been specifically designed to deliver exceptional performance, reliability, ease of use, whilst reducing electrical consumption.

The range has been designed with cost and practicality in mind, adding value to our customers.

VFD's are for 3 phase supply and 3 phase pump models. Single phase supply models are available please ask for details.

WATERCO VARIABLE FREQUENCY DRIVE

Part No.	Product Description	Price
WCVFD01	0.75KW (1 HP) Model	1,196.46 €

WCVFD01 - 0.75kW (1 HP) Model - Compatible with
 Supastream 050 24030503EUM
 Supastream 075 24030753EUM

Supatuf MK2 050 24105003EUM
 Supatuf MK2 075 24107503EUM

Specifications For WCVFD01

Model	Supply Voltage	Input Phase	Supply Current Cont	Supply Fuse or MCB (TypeB)	Max Supply / Motor Cable	Max Motor Cable Length	Motor Output Rating	Output Volatge	Output Current	Height	Width	Depth	Weight
WCVFD01	380-480V	3	3.5A	6A	8mm ² (0.01 sq in)	100m (328ft)	0.75kW (1HP)	0 -Supply Voltage	2.2A	232mm 9.13"	232mm 9.13"	162mm 6.38"	2.3kg 5.07lbs

WATERCO VARIABLE FREQUENCY DRIVE

Part No.	Product Description	Price
WCVFD02	1.5KW (2 HP) Model	1,313.76 €

WCVFD02 - 1.5kW (2 HP) Model - Compatible with
 Supastream 100 24031003E3EUM
 Supastream 150 24031503E3EUM
 Supatuf MK2 100 241100023E3EUM
 Supatuf MK2 150 241150023E3EUM
 Supatuf MK2 200 24120003E3EUM

Hydrostorm 100 2441003EUM
 Hydrostorm 150 2441503EUM
 Hydrostorm 200 2442003EUM
 Hydrostorm Plus 150 24051503E3EUM
 Hydrostorm Plus 200 24052003E3EUM

Specifications For WCVFD02

Model	Supply Voltage	Input Phase	Supply Current Cont	Supply Fuse or MCB (TypeB)	Max Supply / Motor Cable	Max Motor Cable Length	Motor Output Rating	Output Volatge	Output Current	Height	Width	Depth	Weight
WCVFD02	380-480V	3	5.6A	10A	8mm ² (0.01 sq in)	100m (328ft)	1.5kW (2 HP)	0 -Supply Voltage	4.1A	232mm 9.13"	232mm 9.13"	162mm 6.38"	2.3kg 5.07lbs

WATERCO VARIABLE FREQUENCY DRIVE

Part No.	Product Description	Price
WCVFD03	2.2KW (3 HP) Model	1,542.50 €

WCVFD03 - 2.2kW (3 HP) Model - Compatible with
 Supatuf MK2 300 24130003E3EUM
 Hydrostorm Plus 300 24053003E3EUM

Hydrostorm 300 2443003EUM

Specifications For WCVFD03

Model	Supply Voltage	Input Phase	Supply Current Cont	Supply Fuse or MCB (TypeB)	Max Supply / Motor Cable	Max Motor Cable Length	Motor Output Rating	Output Volatge	Output Current	Height	Width	Depth	Weight
WCVFD03	380-480V	3	7.5A	16A	8mm ² (0.01 sq in)	100m (328ft)	2.2kW (3HP)	0 -Supply Voltage	5.8A	258mm 10.12"	188mm 7.4"	186mm 7.32"	3.5kg 7.72lbs

Variable Frequency Drives

WATERCO VARIABLE FREQUENCY DRIVE

Part No.	Product Description	Price
WCVFD04	4kW (5 HP) Model	1,659.80 €

WCVFD04 - 4kW (5 HP) Model - Compatible with
Hydrostorm Plus 400 24054003E3EUM
Hydrostar 550 MKIII 240455033E3EUM
Hydrostar 550 MKIV 240455033E3EUM

Hydrostar 400 MKIII 240440033E3EUM
Hydrostar 400 MKIV 240440033E3EUM

Specifications For WCVFD04

Model	Supply Voltage	Input Phase	Supply Current Cont	Supply Fuse or MCB (TypeB)	Max Supply / Motor Cable	Max Motor Cable Length	Motor Output Rating	Output Volatge	Output Current	Height	Width	Depth	Weight
WCVFD04	380-480V	3	11.5A	16A	8mm ² (0.01 sq in)	100m (328ft)	4kW (2 HP)	0 -Supply Voltage	9.5A	257mm 10.12"	188mm 7.4"	182mm 7.17"	3.5kg 7.72lbs

WATERCO VARIABLE FREQUENCY DRIVE

Part No.	Product Description	Price
WCVFD05	5.5kW (7.5 HP) Model	2,551.28 €

WCVFD05 - 5.5kW (7.5 HP) Model - Compatible with
Hydrostar 700 MKIII 240470033E3EUM
Hydrostar Plus 7.5kW 2461000EUM

Hydrostar 700 MKIV 240470033E3EUM

Specifications For WCVFD05

Model	Supply Voltage	Input Phase	Supply Current Cont	Supply Fuse or MCB (TypeB)	Max Supply / Motor Cable	Max Motor Cable Length	Motor Output Rating	Output Volatge	Output Current	Height	Width	Depth	Weight
WCVFD05	380-480V	3	17.2A	125A	8mm ² (0.01 sq in)	100m (328ft)	5.5kW (7.5HP)	0 -Supply Voltage	14A	310mm 12.2"	211mm 8.31"	235mm 9.25"	6.6kg 14.55lbs

WATERCO VARIABLE FREQUENCY DRIVE

Part No.	Product Description	Price
WCVFD06	7.5kW (10 HP) Model	2,879.72 €

WCVFD06 - 7.5kW (10 HP) Model - Compatible with Hydrostar Plus 7.5kW 2461000EUM

Specifications For WCVFD06

Model	Supply Voltage	Input Phase	Supply Current Cont	Supply Fuse or MCB (TypeB)	Max Supply / Motor Cable	Max Motor Cable Length	Motor Output Rating	Output Volatge	Output Current	Height	Width	Depth	Weight
WCVFD06	380-480V	3	21.2A	32A	8mm ² (0.01 sq in)	100m (328ft)	7.5kW (10 HP)	0 -Supply Voltage	18A	310mm 12.2"	211mm 8.31"	235mm 9.25"	6.6kg 14.55lbs

WATERCO VARIABLE FREQUENCY DRIVE

Part No.	Product Description	Price
WCVFD07	11kW (15 HP) Model	3,296.13 €

WCVFD07 - 11kW (15 HP) Model - Compatible with
Hydrostar Plus 9.5kW 2461250EUM

Hydrostar Plus 10kW 2461500EUM

Specifications For WCVFD07

Model	Supply Voltage	Input Phase	Supply Current Cont	Supply Fuse or MCB (TypeB)	Max Supply / Motor Cable	Max Motor Cable Length	Motor Output Rating	Output Volatge	Output Current	Height	Width	Depth	Weight
WCVFD07	380-480V	3	27.5A	40A	8mm ² (0.01 sq in)	100m (328ft)	11kW (15 HP)	0 -Supply Voltage	24A	310mm 12.2"	211mm 8.31"	235mm 9.25"	6.6kg 14.55lbs

How does a VFD work?

In simple terms Variable Frequency Drives work by reducing the speed the impeller spins. The pump affinity laws then explain how this benefits the pool owner / operator.

Affinity law 1

The flow rate is directly proportional to the change in the speed the impeller spins. For example: a 10% reduction in the speed of the impeller spinning, will result in a 10% reduction in flow.

Affinity Law 2

The pressure change is proportional to the change in the speed the impeller spins squared. For example: a 10% reduction in the speed of the impeller spinning will result in a 19% reduction in pressure.

Affinity Law 3

The power consumption change is proportional to the change in the speed the impeller spins cubed. For example: a 10% reduction in the speed of the impeller spinning will result in a 27% reduction in power consumption.

MICRON

COMMERCIAL FIBREGLASS FILTERS

Proven Strength and Durability



Setting new global benchmarks in durability, versatility, reliability and longevity, Waterco's Micron fibreglass filters are the preferred choice for commercial and industrial operations that demand superior water quality.

Micron Commercial fibreglass filters are available in both side mount and horizontal configurations, with bed depth up to 1.6m.

- Hydraulically balanced laterals
- Pressure ratings available up to 10 Bar
- Optional patented nozzle plate system
- Optional sight glasses and lateral manholes in various sizes
- Optional vinyl ester tanks
- Both 1m and 1.2m bed depths
- 10 year tank warranty

COMMERCIAL

PUMPS

Waterco commercial pumps incorporate the latest technology in design and construction to produce a high performance, energy saving pump ideal for any situation that demands maximum output.



Hydrostar Plus Pump

Hydrostar Plus pumps incorporate the latest technology in design and construction to produce a high-performance self priming pump. Constructed from an injection moulded glass reinforced thermoplastic, its pump body is manufactured utilising state of the art engineering plastic moulding for extra strength. Its clear polycarbonate strainer lid enables an instant view of the strainer basket. Plus, the pump's lid lock ring is equipped with ergonomic grip handles – for easy removal & replacement.

Hydrostar MKIII Pump

Purpose built for commercial sized swimming pools, Hydrostar MKIII pumps efficiently deliver high flow rates and incorporate an innovative quarter lid & locking assembly for easy maintenance.

Maintenance Equipment



Multicyclone Ultra Vac Portable Filtration Cart



The Multicyclone Ultra Vac portable filtration cart is a versatile filtration solution for every service need. It gives you the ability to vacuum your swimming pool, water feature, pond or fountain with a portable pump and filter - without losing valuable water.

- Award winning Multicyclone technology
- Integrated pleated filter cartridge
- Extended filter cleaning cycles and increased filter cartridge life span
- Supastream self-priming pump
- Powder-coated structural steel trolley with large wheels for easy manoeuvrability
- Built in safety protection

Maintenance Equipment

Dual stage filtration

Sturdy cart construction

Constructed from strong structural steel tubing and powder coated for protection, capable of lasting many years.

User-friendly design

Large wheels make it easy to navigate steps and uneven terrain such as gravel and a built-in shelf enables easy access to test kits for service technicians.

The vacuum hose is easily fitted to the quick connect hose adaptors.

Protective foot pads

Protective foot pads, ensure you don't damage pool surrounds and paving.

Self-priming pump

Supastream self-priming energy efficient pump equipped with Waterco's innovative secondary seal for extra motor protection.

Safety protection

The Ultra Vac comes standard with a 10m power cord while an RCD (residual current device) and isolator provides peace of mind safety protection.

Pleated filter cartridge

Its pleated filter cartridge is constructed from heavy duty polyester filter fabric with deep pleats for long service life.



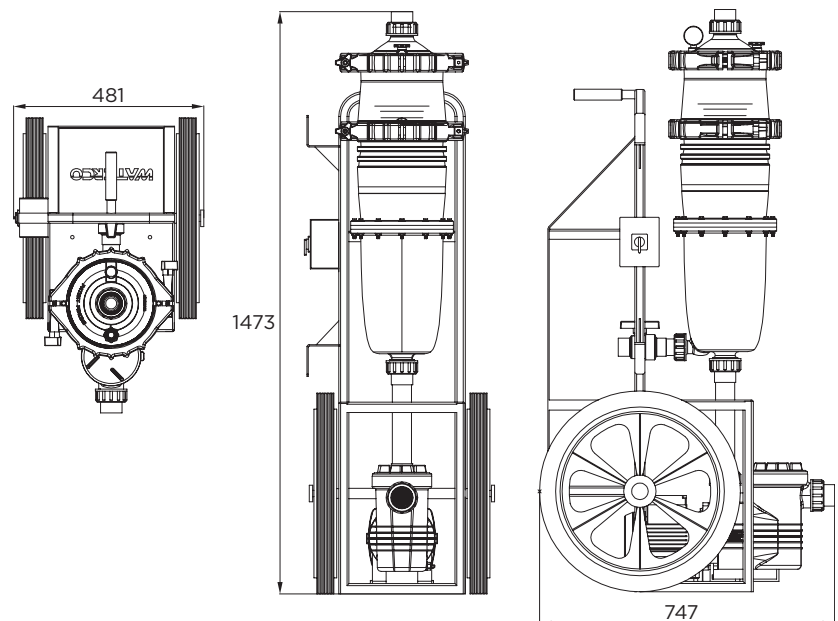
This Portable Filtration Cart features the award-winning MultiCyclone, which removes up to 80 per cent of the incoming dirt load before it reaches the cartridge filter. It means you can vacuum for up to 5 times longer when compared to similar portable vac systems.

Simple maintenance

The MultiCyclone is easily cleaned by opening its purge valve. Only 15 litres of water is discharged to cleanse the MultiCyclone.



Dimensions (mm)



Note: Standard Ultravac comes with a 0.5Hp Supastream pump and Multicyclone Plus MC12 (40ft² cartridge). Other combinations available upon request. Vacuum hose is not supplied.

Maintenance Equipment



ULTRAVAC PORTABLE FILTRATION CART - MULTICYCLONE

Part No.	Product Description	Inlet / Outlet	Price
200400UK	Ultra Vac Portable Filter Cart - Multicyclone (UK 3 pin plug)	1/2"/50mm	2,957.12 €
200400EU	Ultra Vac Portable Filter Cart - Multicyclone (EU 2 pin plug)	1/2"/50mm	2,957.12 €

For replacement 40sqft cartridge please see p.8 spares catalogue

The Ultravac Filtration Cart includes the following:

- 1 x MultiCyclone Plus MC12 filtration system, complete with 40sqft. cartridge element
- 1 x Supastream 0.50HP self priming pump
- 2 x 1 1/2" Hose tail adaptors
- 1 x Trolley unit
- 1 x 10m Power cord, Isolator and RCD with plug
- 1 x Pump to filter plumbing kit
- 1 x Rotary Isolator switch

Filtration Mode

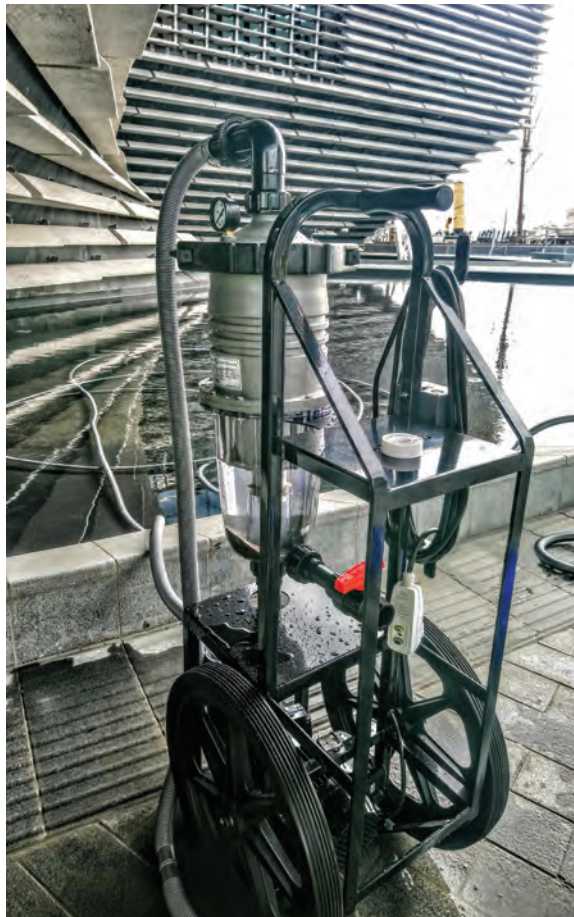
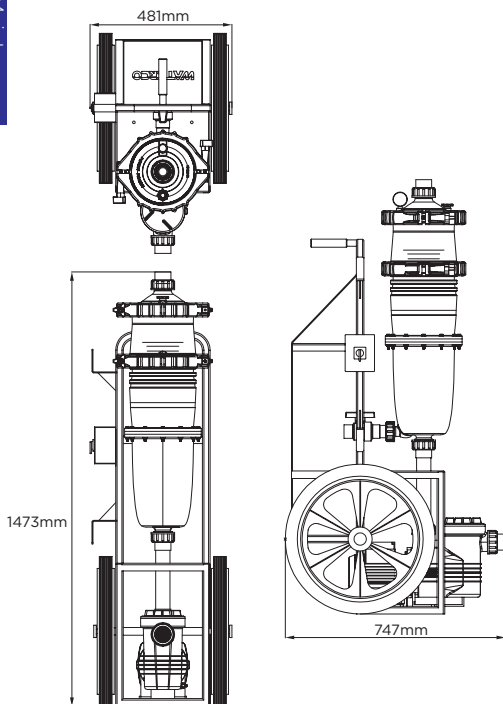
By recirculating the water through the MultiCyclone Plus you can remove debris being vacuumed out of the pool or water feature without losing water. The cart is constructed from strong structural steel and powder coated for protection. The UltraVac is designed to last many years even in the most demanding of environments.

Maintenance

The cartridge element in the filter housing is made from high strength polyester backed up with a sturdy plastic core for ultimate strength and durability. The MultiCyclone sediment bowl is simply cleaned by the opening of the purge valve.

Other combinations and personalised branding can be manufactured to order upon request - P.O.A.

Maintenance Equipment



Maintenance Equipment



ULTRAVAC PORTABLE FILTRATION CART - LEAF TRAPPER

Part No.	Product Description	Inlet / Outlet	Price
3264000UK	Ultra Vac Portable Filter Cart - Leaf Trapper (UK 3 pin plug)	1/2"/50mm	2,957.12 €
3264000EU	Ultra Vac Portable Filter Cart - Leaf Trapper (EU 2 pin plug)	1/2"/50mm	2,957.12 €

The Ultravac Filtration Cart includes the following:

- 1 x Trimline Leaf Trapper
- 1 x Supastream 0.50HP self priming pump
- 2 x 1 1/2" Hose tail adaptors
- 1 x Trolley unit
- 1 x 10m Power cord, Isolator and RCD with plug
- 1 x Pump to filter plumbing kit
- 1 x Rotary Isolator switch

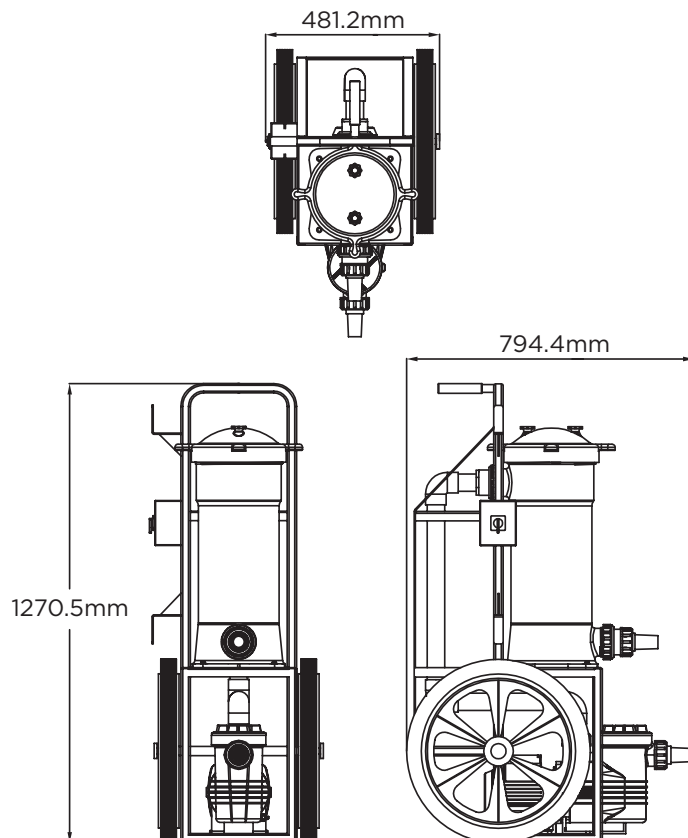
Filtration Mode

By recirculating the water through the Leaf Trapper you can remove debris being vacuumed out of the pool or water feature without losing water. The cart is constructed from strong structural steel and powder coated for protection. The UltraVac is designed to last many years even in the most demanding of environments.

Maintenance

The 800 micron filtration bag in the filter housing is made from high strength, durable nylon for ultimate strength and durability. The bag is simply cleaned by opening the easy access lid and removing the filter bag for either washing or replacement.

Other combinations and personalised branding can be manufactured to order upon request - P.O.A.



PRO POOL CARE

POOL CARE TOOLS

Part No.	Product Description	Box Qty	Price
3130540	Brush Vacuum Head PRO Series	12	39.34 €
313130	Flexible Vacuum Head PRO Series	12	56.98 €
3132321	Leaf Rake PRO Series	12	37.51 €
313290	Pool Broom PRO Series	12	35.97 €
313080	Algae Brush PRO Series	12	20.11 €
3131521	Leaf Skimmer PRO Series	12	25.14 €
31387	Telescopic Handle 8' - 16' PRO Series	12	45.90 €

All items supplied in 100% recycled & recyclable packaging



Brush Vacuum Head PRO Series

Cleaning leaves and debris off the pool floor is easy with this streamlined design that manoeuvres freely, dislodging particles from tight areas and hard-to-reach places.

- Suitable for all pools



Flexible Vacuum Head PRO Series

Weighted for optimum hydraulic balance and manufactured from flexible ethylene-vinyl acetate (EVA) materials, this hard-wearing vacuum head makes it easier to clean curved corners, ridges, crevices and steps.

- Suitable for all pools



Leaf Rake Head PRO Series

Ideal for picking up dirt and debris from the surface and the floor of the pool. The rake's leading-edge lifts debris up and then the flicks it into the net.

- Suitable for all pools
- Can also be used to clean surface debris from water features and ponds



Maintenance Equipment



Pool Broom Head PRO Series

Designed for dislodging algae and dirt from pool walls, the broom's curved ends and long-life nylon bristles make it easier to clean pool curves and corners.

- Suitable for all pools



Algae Brush Head PRO Series

Sturdy nylon bristles break open the hard membranes of stubborn "Black Spot" algae, which needs to be broken for algaecides to work.

- Suitable for all hard pool surfaces
- Not recommended for vinyl, fiberglass or painted pool surfaces
- Available in two sizes 143mm and 450mm bristle head.



Pro Series Leaf Skimmer

Ideal for removing leaves and other floating debris from the water surface of the pool.

- Suitable for all pools



Maintenance Equipment



Introducing the first broom specially designed for fibreglass, tiled and vinyl lined pools.

Aqua Fingers® features a high-density microfiber attachment that makes cleaning smooth surface pools easier and quicker.

Simply click and clean for a sparkling pool.

Ideal for pool covers



Maintenance Equipment

MULTI-PURPOSE MICROFIBRE BROOM

Part No.	Product Description	Box Qty	Price
313300	Aqua Fingers® complete	12	45.07 €
31331	Aqua Fingers® microfibre cover spare	12	30.41 €

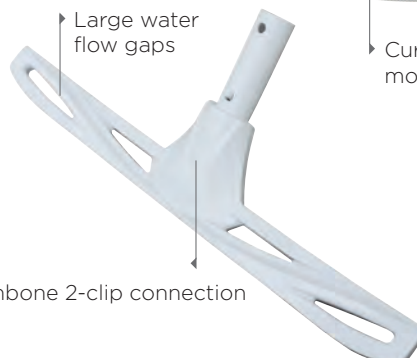
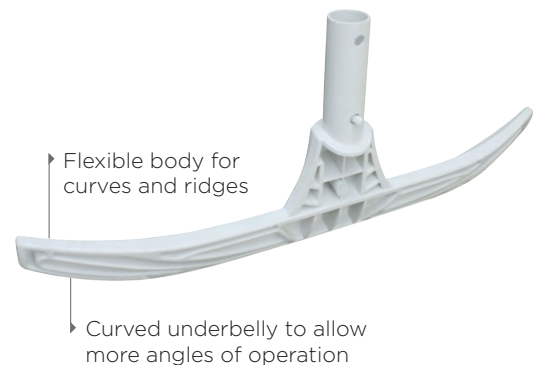
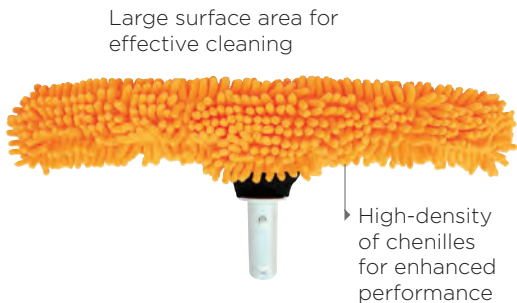


Patented Aqua Fingers® makes cleaning fibreglass, tiled and vinyl lined swimming pools easier and quicker as more surface area is covered by its high-density microfiber chenille attachment, flexible body and curved underbelly. This ensures no nooks or crannies are missed.

All it takes is a quick sweep to clean curved corners, ridges, crevices and steps on smooth pool surfaces

thanks to a flexible design that manoeuvres around tight spots and awkward areas.

- Premium microfiber chenille attachment is gentle on smooth surfaces
- Flexible head easily dislodges particles from tight areas
- Ideal for cleaning fibreglass, tiled and vinyl lined pools and ponds
- Suitable for cleaning pool covers and glass fences
- Replacement chenille attachment available



*please note: 2 year warranty applies to broom head only.

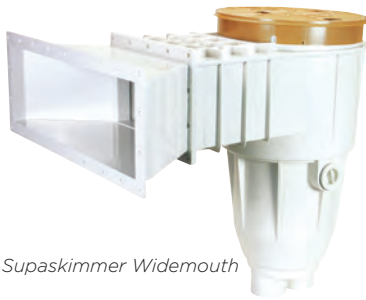
Pool Water Recirculation



Recirculation

WATERCO
water, the liquid of life

Pool Water Recirculation



Supaskimmer Widemouth

SUPASKIMMERS

Part No.	Product Description	Price
29201	Supaskimmer (Concrete)	301.22 €
29205	Supaskimmer (Fibreglass with screw lugs)	473.64 €
29210	Supaskimmer Widemouth (Concrete)	398.60 €
292011	Commercial Supaskimmer (Glass Reinforced Lid)	323.29 €
624105	Dress Ring Sandstone Colour	25.42 €
624119S	Commercial Deck Lid Assembly T/lock Sandstone GFABS	30.64 €
6241019S	Commercial Dress Ring T/lock Sandstone GFABS	25.29 €

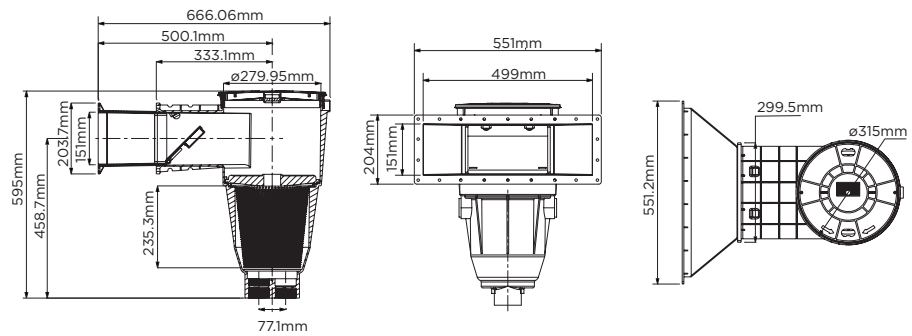
Specifications

Model	Max. Surface Area	Suction Pipe (inch)	Opening (mm)	Basket Capacity (litres)	Total Height (mm)	Total Depth (mm)	Unit Weight (kg)
Supaskimmer	75 m ²	2 x 2"	247x152	5.9	580	500	7
Supaskimmer Widemouth	75 m ²	2 x 2"	551x152	5.9	580	500	10

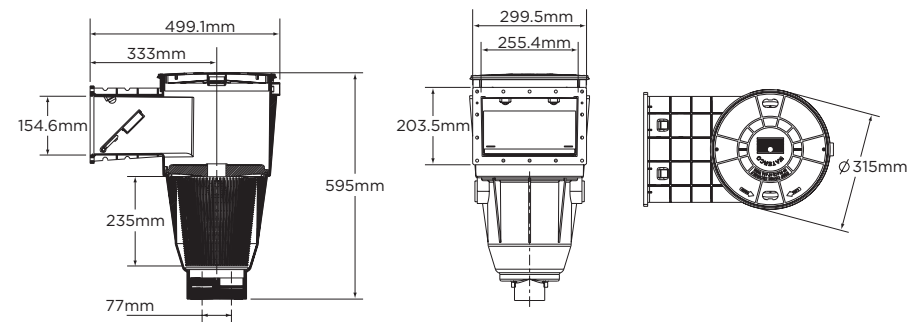


Supaskimmer

Supaskimmer Widemouth



Supaskimmer



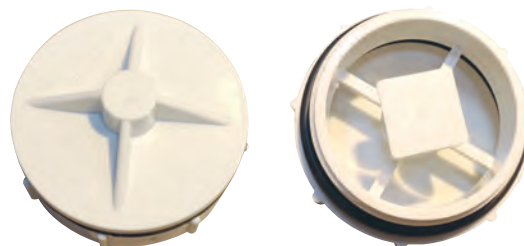
Supaskimmer

The Supaskimmer is a large capacity skimmer box which is ideal for use in large domestic, semi commercial and commercial swimming pools. Because of its large capacity 5.9 litre debris collection basket it is also ideal for any swimming pool that is constructed in leafy environments.

- Lock down leaf basket and vacuum plate - holds the leaf basket and vacuum plate firm.
- Large capacity basket - 5.9 litres, over double the size of conventional skimmers.
- 2 x 2" bottom suction ports - less water flow restrictions.
- 2 x 1 1/2" side ports - ideal for wall mount cleaners.
- New child resistant safety lid - prevents child accidents.
- Deeper body style - less chance of running pumping equipment dry.
- Built in overflow drain port to assist the prevention of flooding, during heavy rain.

WATERCO HYDROSTATIC VALVE

Part No.	Product Description	Price
29302	Main Drain Hydrostatic Valve	18.40 €



Sanitisation



Sanitisation

Sanitisation

HYDROCHLOR MK3 Mineral chlorinator

Hydrochlor MK3 Mineral Chlorinator
Waterco's energy efficient Hydrochlor Mineral Chlorinator chlorinates your pool, making it healthy, crystal clear, and ready to swim in year-round. In fact, a salt water chlorinated pool requires considerably less attention than a standard chlorinated pool.

Chlorination
The main function of the Hydrochlor Mineral Chlorinator is to produce chlorine to sanitise the pool water. Pool water, which contains dissolved pool salt, passes over Hydrochlor's chlorinator cell. This in turn splits the salt into its basic components, one being chlorine.

- Precision Chlorine Production
- Easy-to-use timer with back up battery
- Self Cleaning, Chlorinator Cell
- Energy saving, intelligent power pack
- Power pack suits all chlorinator cells



Suitable for use with pool covers

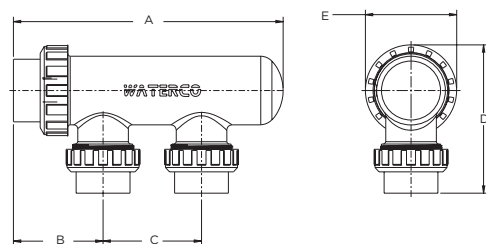
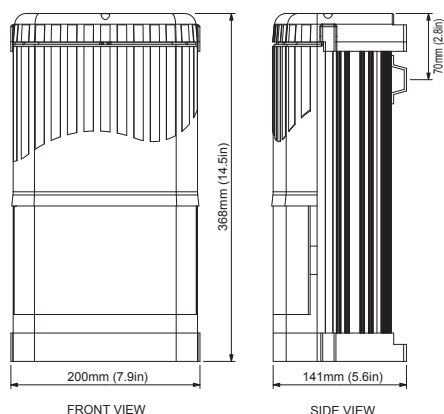
Model	Input Watt (W) max	Output current DC (A) max	Chlorine Production (g/hr)	Max Pool Capacity (L) Climate	
				Temperate	Tropical
Hydrochlor MK3 2000	105	5.4	20	60,000	48,000
Hydrochlor MK3 3000	130	6	30	100,000	72,000

- All units are equipped with a 3 amp self-resetting fuse.
- Pool capacity is based on a stabilised swimming pool with a minimum salt level of 5,000 ppm

	2000	3000
Primary Input (Volts) / Frequency (Hz)	220-240 / 50-60	220-240 / 50-60
Input Power (W)	105	130
Maximum Total Current (A)	10	10
Pump Outlet Maximum (A)	8	8
Cell Voltage (V)	21	21
Degree of Protection	IP23	IP23

SALT LEVELS		
Minimum = 4000ppm	Optimum = 5500ppm	Maximum = 6000ppm

HydroChlor Power Pack Dimensions



Model	A (mm)	B (mm)	C (mm)	D (mm)	E (mm)
2000 / 3000	367	134.5	130	192.5	120

Sanitisation

HYDROCHLOR MK3 Mineral chlorinator

HYDROCHLOR MK3 POWER PACK

Part No.	Product Description	Price
6450131	Hydrochlor MK3 Mineral Chlorinator power pack- *add cell	998.58 €

* For cells see below

Hydrochlor Power Pack

The Hydrochlor Mineral Chlorinator includes an energy saving, intelligent power pack that makes it easy to keep your pool sanitised and healthy to swim in.



Energy, Saving, Intelligent, Power Pack



Energy Saving

Hydrochlor uses the latest Switch Mode Power Technology to increase energy efficiency by over 50%, significantly reducing power consumption. Hydrochlor draws less current and this translates to high power conversion and less energy wastage, without compromising chlorine output.



Intelligent

Hydrochlor's Power Pack intelligently recognises the size of the connected chlorinator cell and automatically adjusts its power output to suit.



Salt Level Protection

An alarm indicates when the salt levels in the pool water are too high or too low. If the pool is running beyond the maximum recommended salt level, the chlorinator will limit its output to protect the chlorinator cell.



Easy-to-use Timer With Battery Backup

Hydrochlor includes an in-built easy to use timer equipped with battery backup, which will maintain settings for up to 150 hours.

HYDROCHLOR MK3 MINERAL CHLORINATOR CELL - ADD TO POWER PACK

Part No.	Product Description	Nom. Size	Price
6449522	Hydrochlor MK3 Mineral Chlorinator Cell MK3 2000 13 plate	20 g/h	550.80 €
6449532	Hydrochlor MK3 Mineral Chlorinator Cell MK3 3000 13 plate	30 g/h	666.88 €

Hydrochlor's new self-cleaning chlorinator cell features a serial parallel design that enhances chlorine production, whilst requiring less energy.



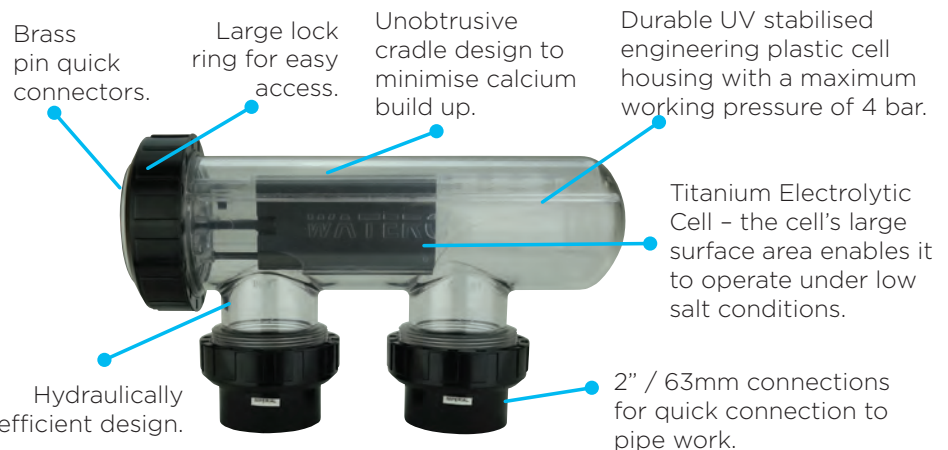
Automated Self-Cleaning

Hydrochlor's self-cleaning chlorinator cell has the added ability to reverse its polarity and automatically clean calcium build-up off its electrodes.



No Flow Detection

If no water flow is detected in the chlorinator cell, Hydrochlor automatically switches off the chlorine production to protect the chlorinator cell, and activates the No Flow LED indicator.





MULTI-PURPOSE MICROFIBRE BROOM

Introducing the first broom specially designed for fibreglass, tiled and vinyl lined pools.

Aqua Fingers® features a high-density microfibre attachment that makes cleaning smooth surface pools easier and quicker.

Simply click and clean for a sparkling pool.

For information and pricing see page 78



WATERCO
water, the liquid of life
www.waterco.eu

Sanitisation



25W UV-C Disinfection System



55W UV-C Disinfection System

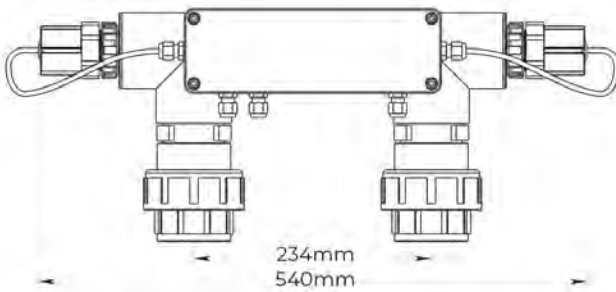
WATERCO UV-C Disinfection System

Part No.	Product Description	Price
WCOUV25UK	25W UV-C Disinfection System (UK)	341.70 €
WCOUV25EU	25W UV-C Disinfection System (EU)	341.70 €
WCOUV55UK	55W UV-C Disinfection System (UK)	474.30 €
WCOUV55EU	55W UV-C Disinfection System (EU)	474.30 €

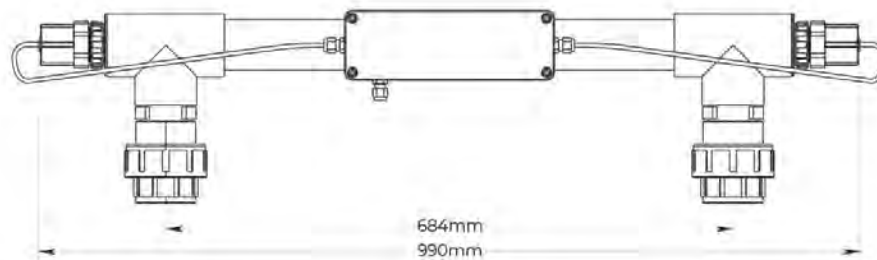
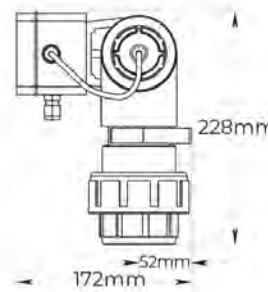
Waterco UV-C Disinfection System

Manufactured in the UK, the Waterco UV-C range has been specifically designed to deliver exceptional performance, great water clarity, all the while being economical to run.

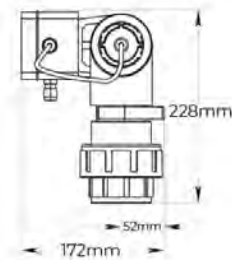
The range of UV's come in four options, 25W, 55W, 75W and 110W. The range has been designed with cost and practicality in mind, adding value to our customers.



25W UV-C Disinfection System



55W UV-C Disinfection System



Specification

Model	Rec Max Flow	Max Pool Volume	Voltage	No of Bulbs	Temp Range	Max Power Consumption	Ingress protection rating	Working pressure	Water conns
25W UV-C	10m ³	25m ³	220-240V	1 x 25W	<45°C	21W	IP65	2.5Bar	1.5/2.0"
55W UV-C	20m ³	55m ³	220-240V	1 x 55W	<45°C	49W	IP65	2.5Bar	1.5/2.0"

Features

- High output, energy efficient electronic ballast
- Fully serviceable for easy maintenance
- Easy to install
- UV bulbs deliver high output
- No dead spots in the filament
- Longer lasting UVC bulb lifespan
- Average lamp life expectancy: 2 years / 9000 hours
- 2 year guarantee
- Compatible with salt chlorinators

Sanitisation

Waterco UV-C Disinfection System

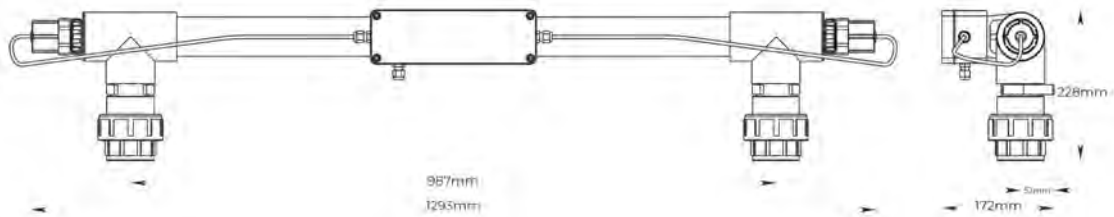
Manufactured in the UK, the Waterco UV-C range has been specifically designed to deliver exceptional performance, great water clarity, all the while being economical to run.

The range of UV's come in four options, 25W, 55W, 75W and 110W. The range has been designed with cost and practicality in mind, adding value to our customers.

WATERCO UV-C Disinfection System

Part No.	Product Description	Price
WCOUV75UK	75W UV-C Disinfection System (UK)	586.50 €
WCOUV75EU	75W UV-C Disinfection System (EU)	586.50 €
WCOUV110UK	110W UV-C Disinfection System (UK)	867.00 €
WCOUV110EU	110W UV-C Disinfection System (EU)	867.00 €

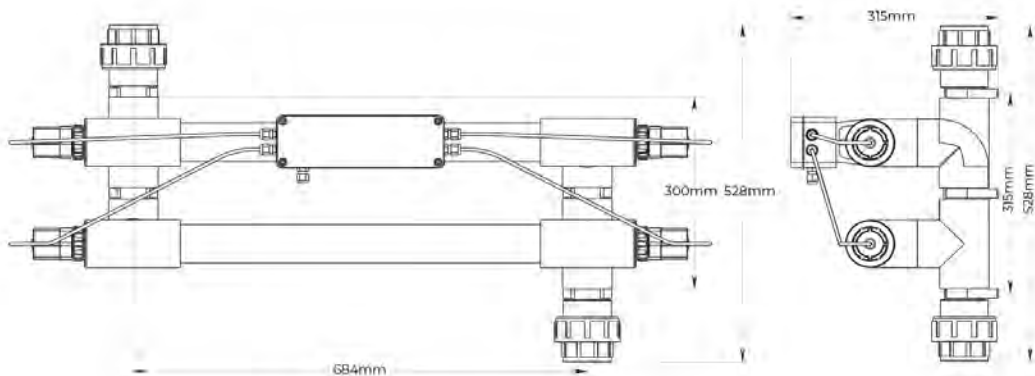
75W UV-C Disinfection System



Features

- High output, energy efficient electronic ballast
- Fully serviceable for easy maintenance
- Easy to install
- UV bulbs deliver high output
- No dead spots in the filament
- Longer lasting UVC bulb lifespan
- Average lamp life expectancy: 2 years / 9000 hours
- 2 year guarantee
- Compatible with salt chlorinators

110W UV-C Disinfection System



Specification

Model	Rec Max Flow	Max Pool Volume	Voltage	No of Bulbs	Temp Range	Max Power Consumption	Ingress protection rating	Working pressure	Water conns
75W UV-C	25m ³	75m ³	220-240V	1 x 75W	<45°C	63W	IP65	2.5Bar	1.5/2.0"
110 UV-C	25m ³	10m ³	220-240V	2 x 55W	<45°C	93W	IP65	2.5Bar	1.5/2.0"

Heating



Electr Heat ECO-V



The ElectroHeat Ultra Eco-V Inverter heat pump has the flexibility to vary the speed of the fan motor and compressor to maintain a constant temperature allowing it to use less energy than conventional heat pumps.

The heat pump adjusts the output from 50% to 100% depending on heat demand and environmental factors, thereby reducing energy consumption.



WATERCO
EUROPE LTD
water, the liquid of life
www.waterco.eu

Heating

Electr Heat ECO-V



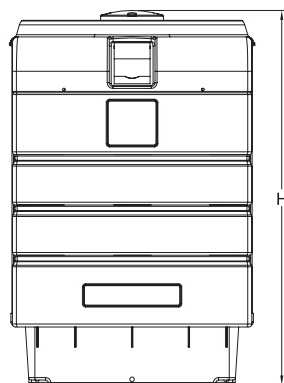
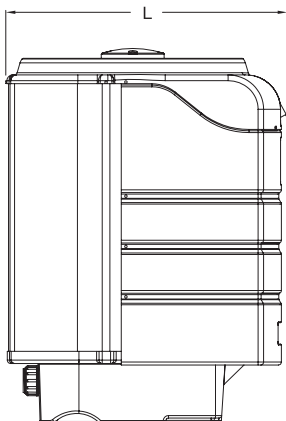
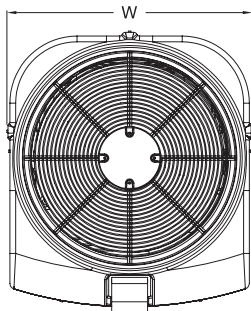
Image shown for the 17kw, 21kw and 25kw models

ELECTROHEAT ULTRA ECO V INVERTER

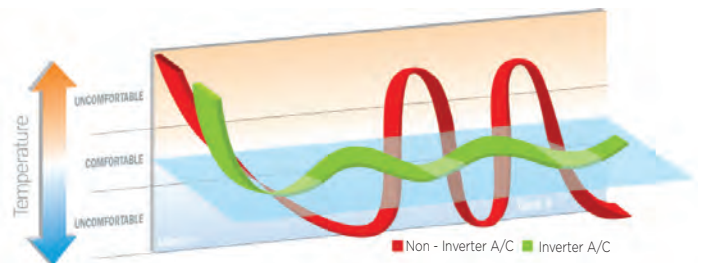
Part No.	Product Description	Nom. Size	Price
2781210EU	ElectroHeat Ultra Eco V Heat Pump 12kW	12kW	6,147.49 €
2781710E17	ElectroHeat Ultra Eco V Heat Pump 17kW	17kW	7,042.92 €
2782110E21	ElectroHeat Ultra Eco V Heat Pump 21kW	21kW	7,325.91 €
2782513	ElectroHeat Ultra Eco V Heat Pump 25kW	25kW	7,905.63 €

Specifications

Model			12KW	17KW	21KW	25KW
Air 15°/Water 26°	Heating Capacity	kW	12 - 3.0	17.2 - 4.6	21.0 - 5.1	24.1 - 6.1
	Heating Input	kW	2.54 - 0.84	4.05 - 0.62	5.0 - 0.69	5.95 - 0.85
	Normal Current	A	11.0 - 3.6	17.6 - 2.70	21.7 - 3.0	27.2 - 3.95
	COP		7.9 - 4.4	4.25 - 7.45	4.20 - 7.4	4.05 - 7.2
Power Supply	V/Ph/Hz	230V/1Ph/50Hz	230V/1Ph/50Hz	230V/1Ph/50Hz	230V/1Ph/50Hz	
Setting Temp. Range	°C	10°C - 40°C	15°C - 40°C	15°C - 40°C	15°C - 40°C	
Running Temp. Range	°C	0°C - 40°C	-10°C - 43°C	-10°C - 43°C	-10°C - 43°C	
Water Heat Exchanger		Titanium PVC Tank	Titanium PVC Tank	Titanium PVC Tank	Titanium PVC Tank	
Compressor		Inverter	Inverter	Inverter	Inverter	
Compressor Quantity		1	1	1	1	
Fan quantity		1	1	1	1	
Water Inlet/Outlet Dimension		1.5"	1.5"	1.5"	1.5"	
Hydraulic Connection	mm	PVC 50	PVC 50	PVC 50	PVC 50	
Nominal Water Flow	m3/H	6.9	6.5	8	10	
Sound Pressure Level at 1m	dB(A)	50 - 59	50 - 59	50 - 59	50 - 59	
Sound Pressure Level at 10m	dB(A)	32 - 42	32 - 42	32 - 42	32 - 42	
Unit Dimensions (L*W*H)	mm	636*714*973	800*900*1050	800*900*1050	800*900*1050	
Net Weight	Kg	43	118	120	126	
Refrigerant		R410A	R410A	R410A	R410A	
Display		LCD	LCD	LCD	LCD	
Mode		Heating/Auto.	Heating/Cooling/Auto.	Heating/Cooling/Auto.	Heating/Cooling/Auto.	



***N.B. The 17kW, 21kW and 25kW versions are heat & cool models**



Non-Inverter System

It turns on and off completely to maintain temperature as the compressor runs at a fixed speed

Inverter System

It varied the output to maintain a constant temperature. At lower speed, it is quieter and more cost efficient

Heating



Electr Heat XL

ELECTROHEAT XL

Part No.	Product Description	Nom. Size	Price
278123EU	ElectroHeat XL 12kW Single Phase	12kW	4,087.32 €
278152EU	ElectroHeat XL 15kW Single Phase	15kW	4,637.93 €
2781911EU	ElectroHeat XLR 19kW Single Phase (Quick defrost cycle)	19kW	6,005.87 €
2782311EU	ElectroHeat XLR 23kW Single Phase (Quick defrost cycle)	23kW	6,831.92 €

Specifications

Models	278121EU - XL	278151EU - XL	2781911EU - XLR	2782311EU - XLR
Nominal Heating Capacity btu/h *	40,000 BTU	50,000 BTU	65,000 BTU	80,000 BTU
Power Output (kW)	11.74	13.52	18.54	21.82
Supply Voltage (VAC)	208 - 230	208 - 230	208 - 230	208 - 230
Supply Voltage Phase	1 phase	1 phase	1 phase	1 phase
Power consumption (kW)	1.93	2.10	2.99	3.00
Unit Running Amperage	9.1	9.3	15.28	21.20
Water Connections	1 1/2" /50mm	1 1/2" /50mm	1 1/2" /50mm	1 1/2" /50mm
Min / Max Breaker or Fuse (AMP)	20	20	30	40
Quick Defrost Cycle	-	-	Active	Active
Dimension	1170 x 685 x 320mm	1170 x 685 x 320mm	1170 x 685 x 320mm	1170 x 685 x 320mm
Weight (kg)	54	54	78	78

* The heating capacity depends on water and ambient temperature, as well as humidity level.

* Information for reference only, results may vary depending on the region, temperature and the use of a solar blanket

* Waterco Heat Pump performance metrics were obtained during laboratory testing conducted in Canada to the requirements of ASHRAE Standard 146-2011, and ANSI/AHRI Standard 1160: (I-P)-2009 in conditions of 26° Air/63% RH/ 26° Water.

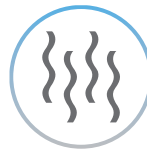
• R32 Refrigerant



SMART CONTROLS
for temperature management and self diagnosis



INBUILT SAFETY DEVICES for water flow, refrigerant level and compressor start-up delay



POWERFUL HEAT TRANSFER through the coiled heat exchanger maximising water contact



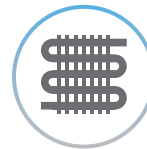
DUAL COIL TITANIUM Heat Exchanger is highly resistant to ozone, iodine, baquacil, salt and chlorinated water



WEATHERPROOF CABINET for outdoor installation



SCROLL COMPRESSOR for improved efficiency and high performance



LARGE EVAPORATOR AREA to extract more ambient heat



Warranty* Excellent residential and commercial warranty

Electr Heat XL ECO-V



ELECTROHEAT XL ECO V INVERTER

Part No.	Product Description	Nom. Size	Price
2780510E05	ElectroHeat XL ECO-V 5kW Single Phase	5kW	3,717.82 €
2780910E09	ElectroHeat XL ECO-V 9kW Single Phase	9kW	4,280.80 €
2781211E12	ElectroHeat XL ECO-V 12kW Single Phase	12kW	4,824.76 €
2781711E17	ElectroHeat XL ECO-V 17kW Single Phase	17kW	5,970.12 €

The ElectroHeat XL Eco V Inverter heat pump has the flexibility to vary the speed of the fan motor and compressor to maintain a constant temperature allowing it to use less energy than conventional heat pumps.

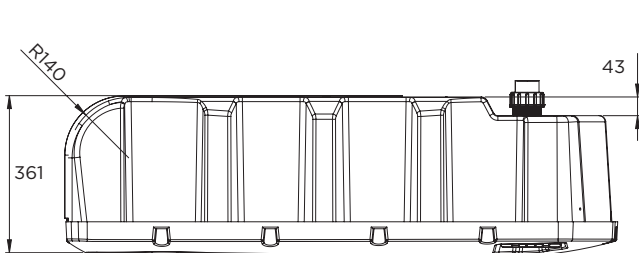
The heat pump adjusts the output from 50% to 100% depending on heat demand and environmental factors, thereby reducing energy consumption.

The fan is side mounted and the unit slim-line, for ease of installation. All units in this range are heat and cool models.

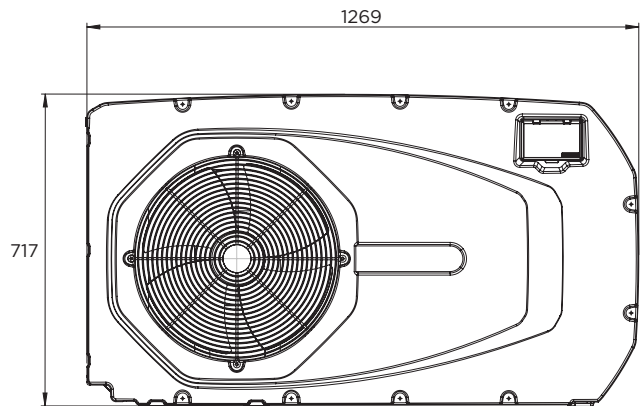
Specifications

Model	5KW	9KW	12KW	17KW
Heating Capacity (A15/W26)	5.1 - 1.4KW	9.2 - 2.5KW	12.2 - 3.5KW	17.0 - 4.5KW
Heating Input (A15/W26)	1.00 - 0.18KW	1.86 - 0.32KW	2.28 - 0.46KW	3.62 - 0.61KW
Normal Current	4.38 - 0.8A	8.08 - 1.4A	9.85 - 2.0A	15.7 - 2.65A
COP	5.05 - 8.0	4.95 - 7.8	4.85 - 7.6	4.70 - 7.4
Working Temperature Range	-10 - 43°C			
Setting Temp. Range	15°C - 40°C			
Power Supply	AC-230V/1Ph/50Hz			
Max. Current	8A	10A	17A	20A
Gas	R32 (0.5kg)	R32 (0.6kg)	R32 (0.7kg)	R32 (1.0kg)
Compressor	Panasonic (Inverter)	Mitsubishi (Inverter)	Panasonic (Inverter)	Panasonic (Inverter)
Water Heat Exchanger	Titanium-in-PVC	Titanium-in-PVC	Titanium-in-PVC	Titanium-in-PVC
Water Flow Rate	4000L/H	5000L/H	6000L/H	6500L/H
Water Inlet/Outlet Connection	1.5Inch	1.5Inch	1.5Inch	1.5Inch
Noise (At 1 Meter)	50 - 59 dB (A)	50 - 59 dB (A)	50 - 59 dB (A)	50 - 59 dB (A)
Controller	Intelligent LED	Intelligent LED	Intelligent LED	Intelligent LED
Net Weight	50kg	53kg	59kg	67kg
Gross Weight	65kg	68kg	74kg	82kg
Net Size (L/W/H)	1269/370/697 mm			
Package Size (L/W/H)	1370/448/760mm			

***N.B. All units in this range are heat and cool models**



TOP VIEW



FRONT VIEW

Heating



Electr Heat Plus

TITANIUM MKIII

WATERCO HEAT PUMPS - All ElectroHeat Plus MKIII heat pumps come complete with a commercial grade Titanium heat exchanger and digital display as standard. All 3-phase heat pumps are supplied with a 3-phase indicator and protector.

ELECTROHEAT PLUS

Part No.	Product Description	Nom. Size	Price
EPX031T353-G	ElectroHeat Plus MKIII 31kW Three Phase - Digital	31kW	10,438.17 €
EPX037T353-G	ElectroHeat Plus MKIII 37kW Three Phase - Digital	37kW	11,805.34 €
EPX044T353-G	ElectroHeat Plus MKIII 44kW Three Phase - Digital	44kW	13,606.70 €



Double Coil Titanium Heat Exchanger

With much greater surface area and longer contact time, this Waterco innovation allows higher heat transfer, thus delivering some of the highest efficiencies in its class.

A Titanium Heat Exchanger offers total protection against erosion and corrosion. Titanium metal's corrosion resistance is due to a stable, protective, strongly adherent oxide film. This film forms instantly when a fresh surface is exposed to air or moisture.

Titanium is resistant to: chlorinated water, ozone, iodine, Baquacil, bromine and salt water.

Specifications

Model	31	37	44
Nominal Heating Capacity (BTU/h)*	105,000	125,000	150,000
Power Output (kW)	31	37	44
Power Supply (Volt)	220 - 240	380 - 415	380 - 415
Supply Voltage Phase	1 Phase	3 Phase	3 Phase
Power Consumption (kW/h)	5.9	5.8	6.0
Unit Running Amperage (Amp)	28.0	9.9	11.8
Fan Full Load Amperage (FLA)	1.45	1.45	1.45
Min-Max Breaker or Fuse	40 - 50	25	25
Noise level @ 3m in dB	60	61	61
Min-Max Air Temperature (C)	11 - 40	11 - 40	11 - 40
Weight (kg)	107	149	152

* The heating capacity depends on water and ambient temperature, as well as humidity level.

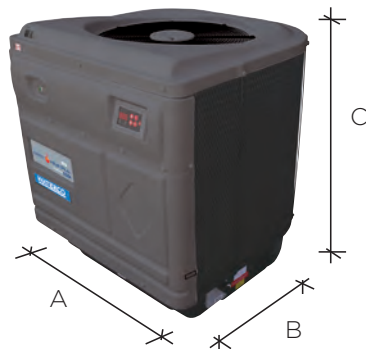
* Waterco Heat Pump performance metrics were obtained during laboratory testing conducted in Canada to the requirements of ASHRAE Standard 146-2011, and ANSI/AHRI Standard 1160: (I-P)-2009 in conditions of 26° Air/63% RH/ 26° Water.

Water Flow & Plumbing Characteristics

Water Bypass Type	Ext. Field Install
Min./Max. Water Flow Rate	6.7 - 18 m ³ /h
Min./Max. Water Inlet Temperature	18° - 40°
Plumbing Connection Size	1 1/2" / 50mm - PVC

Dimensions

Model	A	B	C
ElectroHeat Plus MK III 31kW, 37kW & 44kW	890 mm	880 mm	1120 mm



Clearance



Aquaculture



Aquaculture



Pond Professional Bead Filter - Combined Mechanical and Biological Filtration

Part No.	Product Description	Nom. Size	Price
2200082048	E500 Exotuf Pond Professional Bead Filter	20" (500mm)	1,309.57 €
220008248	E600 Exotuf Pond Professional Bead Filter	24" (600mm)	1,516.34 €
220008280	E702 Exotuf Pond Professional Bead Filter	28" (702mm)	2,056.92 €

For media see page 95

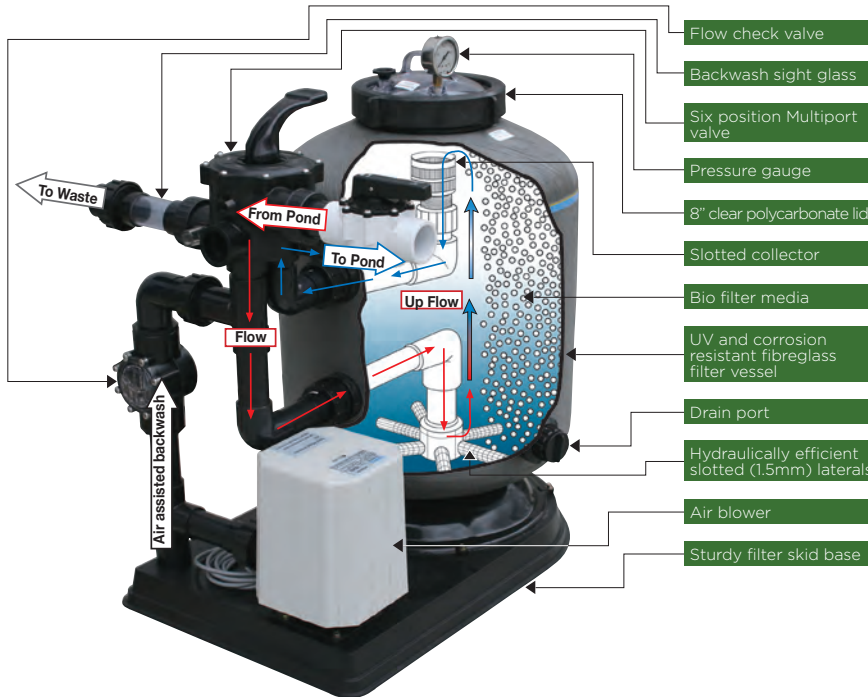
Specification

Filter Diameter size mm	Filter Surface area m ²	Media ltrs	Minimum- Maximum flow rate m ³ /hr	Pond size m ³	Pond size gallons
20" / 500mm	0.2	50	5-10	20.0	4400
24" / 600mm	0.3	75	7-16	36.0	7920
28" / 702mm	0.38	100	14-24	60.0	13200

The Exotuf Pond Professional Bead Filter is specially engineered for the Koi enthusiast with ponds up to 13,200 gallons in size.

A pre-plumbed unit which is compact in design, making the Exotuf Pond Professional an ideal choice for the Koi hobbyist.

Bio-Mechanical Filtration



Mechanical filtration

Mechanical filtration physically removes solids from the pond by trapping solids between the crevices of the filter media.

Biological filtration

Biological filtration is the most effective method of removing toxins (ammonia) and breaking it down into nitrites, and then into nitrates which provide food to your aquatic plants (referred to as the Nitrogen Cycle). This is accomplished by using naturally occurring bacteria and giving it a place to live in the Biofilter media where it is exposed to large quantities of food and oxygen.



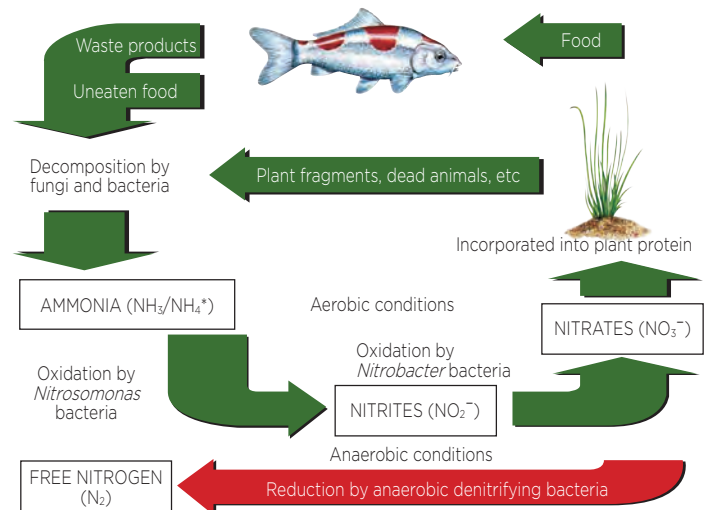
4mm - 5mm Biofilter media

1. Water enters the Multiport valve and is diverted to the lower filter.
2. The inflowing water is then evenly dispersed through slotted laterals within the lower section of the filter.
3. As the water flows upwards through the Biofilter media, the contaminated water is subjected to mechanical and biological filtration.

Nitrogen Cycle

The cycle begins when fish eat and then excrete ammonia. Bacteria in the biological filter eats the ammonia and excretes nitrite. Nitrite is also toxic to fish and needs to be removed.

Another type of bacteria in the filter eats nitrite and excretes nitrate. Nitrate is non-toxic to fish in small quantities and is used by plants as fertilizer. The entire cycle then repeats itself upon completion.



Aquaculture



Effective

Excellent Nitrification and Mechanical filtration.

Efficient

Hydraulically efficient filter design, balanced slotted laterals to maximize water flow and filtration.

Durable

Corrosion resistant and UV stabilised for outdoor installation.

Air-Backwash

Air assisted hydraulic backwash, saving time and water.

Superior Quality

Aquabiome fibreglass filters embody the latest in fibreglass winding technology.

Biological filtration

Biological filtration is the most effective method of removing toxins (ammonia) and breaking it down into nitrites, and then into nitrates which provide food to your aquatic plants (referred to as the Nitrogen Cycle). This is accomplished by using naturally occurring bacteria and giving it a place to live in the Biofilter media where it is exposed to large quantities of food and oxygen.



4mm - 5mm Biofilter media

AQUABIOME SKIDS

Part No.	Product Description	Nom Size	Price
220008165	Aquabiome SM400	16" (400mm)	2,110.36 €
220008205	Aquabiome SM500	20" (500mm)	2,191.09 €
220008245	Aquabiome SM600	24" (600mm)	2,473.84 €
220008305	Aquabiome SM750	30" (750mm)	3,479.89 €
220008365	Aquabiome SM900	36" (900mm)	4,105.95 €

For media see below

Specifications

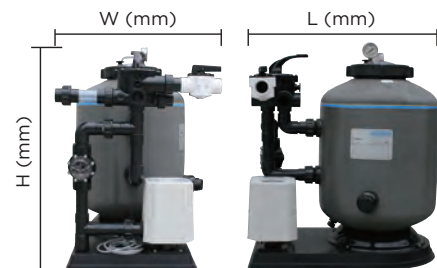
Aquabiome	ASM400	ASM500	ASM600	ASM750	ASM900
Nominal Diameter mm / inch	400 / 16	500 / 20	600 / 24	750 / 30	900 / 36
Filter Surface Area m ² / ft ²	0.13 / 1.4	0.2 / 2.1	0.3 / 3.2	0.44 / 4.9	0.64 / 7.15
Media Volume litres	50	75	125	200	300
Biofilter Surface Area m ² / ft ²	67.5 / 727	101.25 / 1090.5	168.75 / 1817.5	270 / 2906	405 / 4259
Inlet / Outlet Connections	50mm / 1.5"	50mm / 1.5"	50mm / 1.5"	63mm / 2"	63mm / 2"
Min / Max Flow Rate (l/min)	52 - 101	80 - 157	120 - 226	180 - 353	255 - 509
Min / Max Flow Rate (m ³ /hr)	3.1 - 6.1	4.8 - 9.4	7.2 - 13.5	10.8 - 21.2	15.3 - 30.5
gpm (US gallon per min)	13.7 - 26.7	21.1 - 41.5	31.7 - 59.7	47.6 - 93.3	67.4 - 134.5
Max Pond Size litres	13,000	20,000	36,000	60,000	90,000
Feed Rate kg	0.32	0.5	0.9	1.5	2.4
Total Ornamental Fish weight* kg	10.7	16.7	30	50	80
Total Aquaculture Fish weight* kg	32	50	90	150	240
Tank Diameter mm / inch	421 / 16.5"	520 / 20.5"	622 / 24.5"	772 / 30.4"	923 / 36.3"
Overall Height mm / inch	856 / 33.7"	815 / 32.1"	880 / 34.6"	993 / 39.1"	1115 / 43.9"
Valve Size mm / inch	50 / 1½"	40 / 1½"	40 / 1½"	50 / 2"	63 / 2"

* Maximum fish stocking weight depends on the percentage of body weight fed daily.

- Ornamental fish weight based on feeding rate of 3% of body weight.
- Aquaculture fish weight based on feeding rate of 1% of body weight.

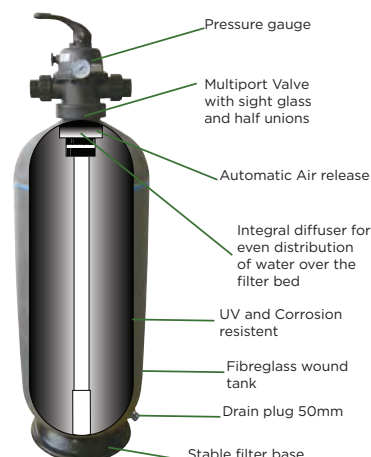
Dimensions (mm)

Aquabiome	L (mm)	W (mm)	H (mm)
SM400	815	650	886
SM500	815	650	875
SM600	1040	650	925
SM750	1325	830	985
SM900	1328	930	1110



AQUABIOME MEDIA

Part No.	Product Description	Nom. Size	Price
3532520	Aquabiome media (20kg bag)	20 kg	235.06 €
Bio-Mec Plus	Bio-Mec Plus Media in plain bags - 50L Bags	9.5kg	134.64 €
Bio-Mec Plus25	Bio-Mec Plus Media in plain bags - 25L Bags	4.75kg	91.80 €



Proven Durability

Waterco Micron filters are known throughout the Industry for their impressive performance and reliability.

Manufactured from the highest grade of non corrosive materials and employing the latest in fibreglass winding technology, Micron filters are built for many years of trouble free operation.

Technologically Advanced

Micron filters consist of a blow moulded inner shell of fibreglass reinforced polyester resin strengthened with multiple layers of continuous strands of fibreglass filament.

Micron filters are wound with precision by Waterco's digital filament winding machines, for refined consistency and superior quality.

Easy Maintenance

Cleansing the filter simply requires shifting the Multiport Valve lever from 'filter' to the 'backwash' position, which reverses the flow of water in the filter, flushing out the trapped dirt from the filter bed.



MULTI CYCLONE

CENTRIFUGAL WATER FILTRATION

WATERCO MULTICYCLONE FILTER

Part No.	Product Description	Nom. Size
200374	MultiCyclone MC12	1/2" / 50mm
200375	MultiCyclone MC16	2" / 63mm
200372	MultiCyclone Base Standard	
2003730	MultiCyclone Over Pump Stand	

NB: For pricing and information please see: page 16 and 19



PLEASE NOTE: The MultiCyclone is designed to filter sediment that is heavier than water. Floating debris cannot be filtered out by centrifugal filtration.

WATERCO AQUAMITE PUMPS - Single Phase 220v - 240v, S/S shaft, CE approved



Part No.	Product Description	Q. Max	P. Max
1/2" port supplied with 1/2" imperial & 50mm metric quick connect unions			
Pump Warranty - 3 years wet end, 2 years motor and 1 year mechanical seal			
2402033PNR-M	Aquamite 033	11.3m ³ /hr	0.53kW
2402050PNR-M	Aquamite 050	14.4m ³ /hr	0.58kW
2402075PNR-M	Aquamite 075	16.8m ³ /hr	0.65kW
2402100PNR-M	Aquamite 100	19.8m ³ /hr	0.76kW
2402125PNR-M	Aquamite 125	22.2m ³ /hr	0.88kW

Price and availability for TUV approved models available on request

Silicon carbide seal required for salt water installations, pricing available on request

NB: For pricing and information please see: Pumps page 50

BLOWERS

Part No.	Product Description	Nom. Size	Price
282410	Airflo Blower 900W - CE	900W	480.12 €

Compact Design

The compact design of the Waterco spa blower enables installation in smaller areas and tight corners. The convenient position of the mounting base and air inlet/outlets reduces installation time and cost.

Thermal Cutout

Waterco spa blowers feature an important safety feature, an integral thermal cutout. This cutout stops the electric motor if it becomes excessively warm, it does not require manual resetting and will automatically restart the motor when it is sufficiently cooled.

Specification

Size (mm)	Power (W)	Voltage (V)	Weight	Suction
225 x 280 x 360	900 watt	240AC	3.7kg	2" hpvc

Blower loops required in installation.



- Whisper quiet operation
- Hi-flow air movement
- Compact design
- Variable mounts

Aquaculture



25W UV-C Disinfection System



55W UV-C Disinfection System

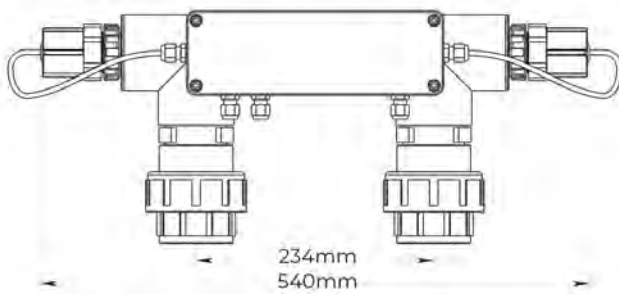
WATERCO UV-C Disinfection System

Part No.	Product Description	Price
WCOUV25UK	25W UV-C Disinfection System (UK)	341.70 €
WCOUV25EU	25W UV-C Disinfection System (EU)	341.70 €
WCOUV55UK	55W UV-C Disinfection System (UK)	474.30 €
WCOUV55EU	55W UV-C Disinfection System (EU)	474.30 €

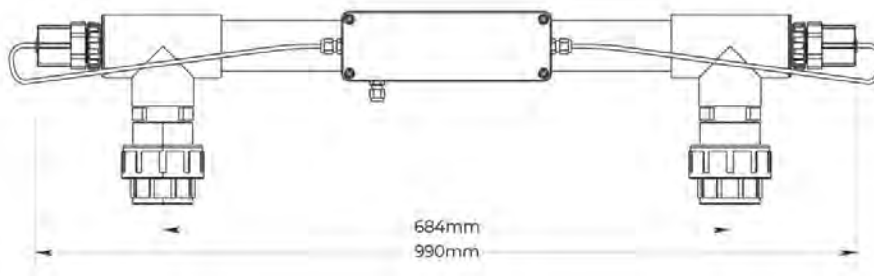
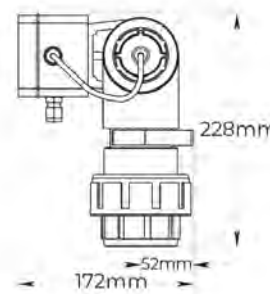
Waterco UV-C Disinfection System

Manufactured in the UK, the Waterco UV-C range has been specifically designed to deliver exceptional performance, great water clarity, all the while being economical to run.

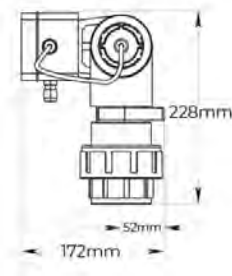
The range of UV's come in four options, 25W, 55W, 75W and 110W. The range has been designed with cost and practicality in mind, adding value to our customers.



25W UV-C Disinfection System



55W UV-C Disinfection System



Specification

Model	Rec Max Flow	Max Pool Volume	Voltage	No of Bulbs	Temp Range	Max Power Consumption	Ingress protection rating	Working pressure	Water conns
25W UV-C	10m ³	25m ³	220-240V	1 x 25W	<45°C	21W	IP65	2.5Bar	1.5/2.0"
55W UV-C	20m ³	55m ³	220-240V	1 x 55W	<45°C	49W	IP65	2.5Bar	1.5/2.0"

Features

- High output, energy efficient electronic ballast
- Fully serviceable for easy maintenance
- Easy to install
- UV bulbs deliver high output
- No dead spots in the filament
- Longer lasting UVC bulb lifespan
- Average lamp life expectancy: 2 years / 9000 hours
- 2 year guarantee
- Compatible with salt chlorinators

Aquaculture

Waterco UV-C Disinfection System

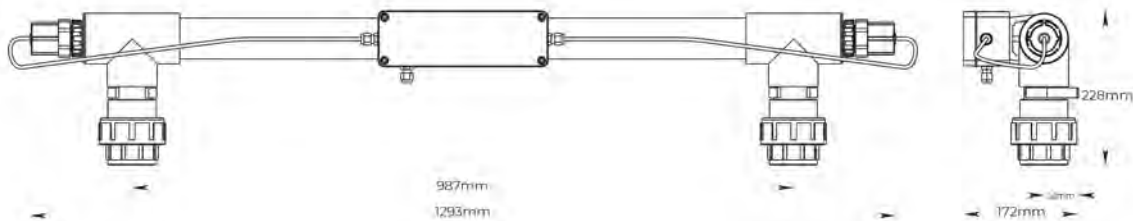
Manufactured in the UK, the Waterco UV-C range has been specifically designed to deliver exceptional performance, great water clarity, all the while being economical to run.

The range of UV's come in four options, 25W, 55W, 75W and 110W. The range has been designed with cost and practicality in mind, adding value to our customers.

WATERCO UV-C Disinfection System

Part No.	Product Description	Price
WCOUV75UK	75W UV-C Disinfection System (UK)	586.50 €
WCOUV75EU	75W UV-C Disinfection System (EU)	586.50 €
WCOUV110UK	110W UV-C Disinfection System (UK)	867.00 €
WCOUV110EU	110W UV-C Disinfection System (EU)	867.00 €

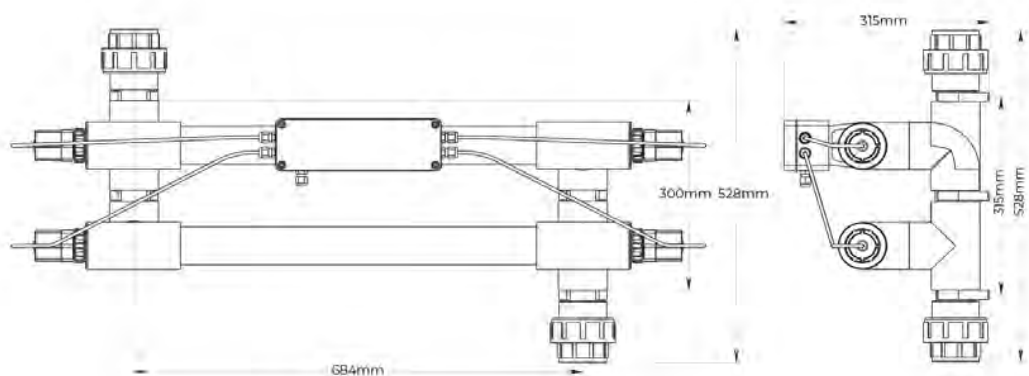
75W UV-C Disinfection System



Features

- High output, energy efficient electronic ballast
- Fully serviceable for easy maintenance
- Easy to install
- UV bulbs deliver high output
- No dead spots in the filament
- Longer lasting UVC bulb lifespan
- Average lamp life expectancy: 2 years / 9000 hours
- 2 year guarantee
- Compatible with salt chlorinators

110W UV-C Disinfection System



Specification

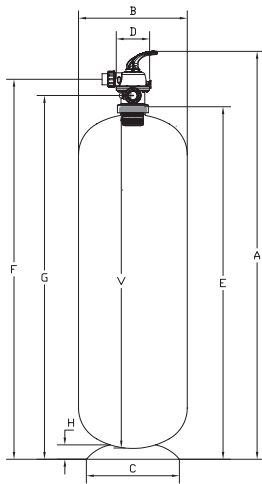
Model	Rec Max Flow	Max Pool Volume	Voltage	No of Bulbs	Temp Range	Max Power Consumption	Ingress protection rating	Working pressure	Water conns
75W UV-C	25m ³	75m ³	220-240V	1 x 75W	<45°C	63W	IP65	2.5Bar	1.5/2.0"
110 UV-C	25m ³	10m ³	220-240V	2 x 55W	<45°C	93W	IP65	2.5Bar	1.5/2.0"

Purification Systems



WATERCO
water, the liquid of life

Purification Systems - Point Of Use



TOP MOUNT MICRON W SERIES WHOLE OF HOUSE FILTER

Part No.	Product Description	Price
K22473011	Micron W300 MKII (7 bar)	531.06 €
K22473571	Micron W350 (7 bar)	790.90 €
K22474071	Micron W400 (7 bar)	773.88 €
K22476071	Micron W600 (7 bar)	1,279.54 €

Backwashable deep bed granular filters c/w 1/2" 5 way MPV

Specification

Filter Model	Bed Depth (mm)	Filter Area (m ²)	Valve Size (mm/inch)	Filtration flow 36m ³ /hr/m ² (m ³ /hr)	Backwashflow 40m ³ /hr/m ² (m ³ /hr)	Sand 16/30 (kg)	Filter Bed (litres)
W300	600	0.07	50/1.5	2.5	2.8	85	58
W350	600	0.10	50/1.5	3.6	4	115	79
W400	600	0.13	50/1.5	4.7	5.2	115	79
W600	600	0.28	50/1.5	10.1	11.2	255	175

Dimensions (mm)

Model	A	B	C	D	E	F	G	H	V
W300	1366	322	346	160	1100	1233	1153	175	955
W350	1397	366	355	160	1130	1262	1183	63	1010
W400	1377	416	355	160	1110	1242	1163	63	995
W600	1402	620	540	160	1135	1267	1188	88	992

W Series MKII Automated Deep Bed Filters

Part No.	Product Description	Price
22473002	Micron automated W300 MKII Deep Bed Filter c/w automated valve (time based)	2,875.11 €
22473012	W300 MKII tank only, suitable for automated valve	881.52 €

Specification

Model	Valve Size (mm/inch)	Filter Area (m ²)	Bed Depth (mm)	Max. Flow Rate 36m ³ /hr/m ² (m ³ /hr)	Max. Working Pressure (bar / psi)	Media Volume (Litres)	Sand 16/30 (kg)
W300 MKII	50/1.5	0.07	600	2.52	6 / 87	51	75

Dimensions

Model	Inner Diameter (mm)	Overall Width (mm)	Overall Height (mm)
W300 MKII	300	332	1366

MPV for W & WD filters

Part No.	Product Description	Nom. Size	Price
228026EURO	50mm 5-way MPV	(6 bar)	335.31 €
2280262EURO	50mm BSB collar 5-way MPV for MK II W300	(7 bar)	346.70 €
228053EURO	63mm 6-way MPV	(4 bar)	352.46 €

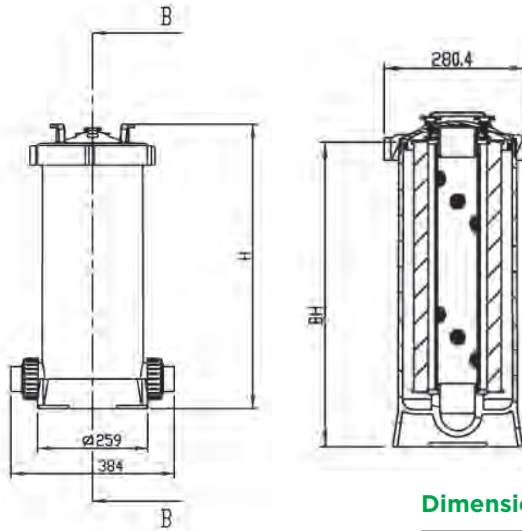
Purification Systems - Point Of Use



COMMANDOMATIC TCF HOUSING 6 bar

Part No.	Product Description	Price
Polypropylene housing for cartridge and/or granular filtration purposes. Filter supplied with both 1/2" imperial & 50mm metric quick connect unions.		
2150253EU	C25 TCF (empty)	345.95 €
2150503EU	C50 TCF (empty)	424.05 €
2150753EU	C75 TCF (empty)	479.62 €

TCF Compact filter is a compact and economical cartridge filter built with an easy-to-use locking system for simple cartridge removal and replacement.



Dimensions

Model	Overall Height (H) (mm)	Body Height (BH) (mm)
C25	432	372
C50	668	608
C75	921	861



Commandomatic TCF Cartridges

Part No.	Product Description	Price
Pleated Polyester Filter Cartridges		
620401	C25 1 micron cartridge	106.51 €
62041	C50 5 micron Cartridge	96.12 €
62043	C75 5 micron Cartridge	132.05 €
620411	C50 10 micron Cartridge	88.99 €
620431	C75 10 micron Cartridge	131.42 €
6204220	C50 20 micron Cartridge	88.24 €
6204420	C75 20 micron Cartridge	147.44 €
62040	C25 30 micron cartridge	68.96 €
62042	C50 30 micron Cartridge	85.36 €
62044	C75 30 micron Cartridge	139.06 €

Pleated Filter Cartridges

The Pleated Filter Cartridges are fabricated from pleated reusable polyester fabric. The media has been pleated to provide 2.3 to 6.9 square metres of surface area in order to maximise the cartridge dirt holding capacity and extend the time between cleaning.

Material : Polyester fabric material, Vinyl Plastisol end caps, Polypropylene core

Operating Temperature: 4°C to 50°C

Maximum Pressure Drop: 0.2 bar / 2.9 psi

Specification

Model	Max. Flow Rate	Cartridge Micron Ratings	Maximum Pressure Drop	Surface Area	Cartridge Length	Cartridge Diameter
C25	5.7m ³ /hr	5, 10, 20, 30	0.2 Bar / 2.9 psi	2.3m ² (25ft ²)	240mm	185mm
C50	11.40m ³ /hr	5, 10, 20, 30	0.2 Bar / 2.9 psi	4.6 m ² (50 ft ²)	490mm	185mm
C75	16.50m ³ /hr	5, 10, 20, 30	0.2 Bar / 2.9 psi	6.9 m ² (75 ft ²)	740mm	185mm

TCF GRANULAR MEDIA CARTRIDGE COMPONENTS

Part No.	Product Description	Price
3651922	Trimline Bottle (c/w slots) 12 litre capacity	61.08 €
3651923	Trimline Bottle (w/o slots) 12 litre capacity	61.08 €
644771	TCF sealing washer	14.64 €
W02046	TCF cartridge spacer	10.14 €
6340116	TCF cartridge spacer o-ring	2.50 €

TCF Granular Media Pre-Filter Cartridges

620401	C25 1 Micron Cartridge	106.51 €
62031	C25 5 micron Cartridge	71.97 €
620311	C25 10 micron Cartridge	98.25 €
6204020	C25 20 micron Cartridge	84.73 €
62040	C25 30 micron Cartridge	68.96 €



Purification Systems - Point Of Use



TBF housings are constructed from high impact polypropylene to be compatible with a wide range of fluids, and its ergonomic screw down lid is designed for simple hand operation allowing for a quick filter changeover.

- Ideal as a coarse pre-filter / leaf trapper
- Disposable filter bags
- One piece mould construction
- Able to withstand up to 6 bar / 600kPa / 87 psi

COMMANDOMATIC TBF HOUSING 6 bar

Part No.	Product Description	Price
	Polypropylene Housing for Bag Filtration	
3761050EU	C50 TBF Housing	434.44 €
37610750EU	C75 TBF Housing	866.00 €



Model	Max. Flow Rate	Required Clearance for Servicing	Max. Pressure	Max. Temperature
C50	11.4 m ³ /hr	530mm / 20.9"	6 bar	40 °C / 100 °F
C75	16.2 m ³ /hr	770mm / 30.3"	6 bar	40 °C / 100 °F

Model	A	B	C	D	E	F	G
C50	710mm	665mm	620mm	71mm	263mm	278.5mm	402mm
C75	960mm	915mm	870mm	71mm	263mm	278.5mm	402mm

TBF POLYPROPYLENE FILTER BAGS

Part No.	Product Description	Price
	For C50	
3651931	1 Micron Filter Bag	29.29 €
3651924	5 Micron Filter Bag	28.41 €
3651925	25 Micron Filter Bag	28.41 €
3651926	50 Micron Filter Bag	28.04 €
36519265	800 Micron Filter Bag	53.56 €
	For C75	
36519310	1 Micron Filter Bag	31.67 €
36519240	5 Micron Filter Bag	30.54 €
36519250	25 Micron Filter Bag	30.54 €
36519260	50 Micron Filter Bag	30.54 €
36519266	800 Micron Filter Bag	62.46 €



Filter Bag Specifications	C50	C75
Material	Polyester*	Polyester*
Specific Gravity	0.91	0.91
Abrasion & Flex	Very Good	Very Good
Weak Acids	Excellent	Excellent
Strong Acids	Excellent	Excellent
Weak Alkali	Excellent	Excellent
Strong Alkali	Excellent	Excellent
Solvents	Fair	Fair

Filter Bag Dimensions	C50	C75
Surface Area	0.17m ² / 1.85ft ²	0.27m ² / 2.9ft ²
Diameter	178mm / 7"	178mm / 7"
Length	419mm / 16.5"	660mm / 26"

Warranty Terms & Conditions

[Important note: The benefits under this warranty are in addition to other legal rights and remedies you may have in relation to Waterco products]

PLEASE READ

1. These terms and conditions carefully, as failure to comply may affect your legal rights under this warranty; and
2. Any operating instructions carefully before commencing use of any product manufactured by Waterco (Europe) Limited ("Waterco"). Waterco manufactures quality pool and spa products to the highest standards using the most advanced technology and production procedures available.

WARRANTY COVER

If a defect occurs in any Waterco product during the warranty period, Waterco will at its discretion, repair the product or replace and install the defective part, free of charge provided that the defect results solely from poor workmanship or materials and subject to these terms and conditions.

Labour is covered by this warranty for a period of 12 months from the date of purchase or installation, at the discretion of Waterco and within a 50km/30 mile radius of an authorized Waterco Service Agent. All warranty work must be carried out by an authorised warranty agent and pre-approved before work is carried out.

The purchaser is responsible for any freight incurred.

Warranties are valid only within the original country of purchase.

WARRANTY PERIOD

All products sold by Waterco are covered by a one year warranty. The exceptions to this are the products listed in the schedule (which also specifies relevant warranty periods). All warranty periods commence on the date of purchase, or installation at Waterco's discretion.

The provisions of this warranty are not transferable and are in addition to and not in modification of or subtraction from any applicable statutory warranties, rights or remedies.

CONDITIONS OF WARRANTY

This warranty only applies where:

1. The products requiring installation have been sold with installation included and have been installed by a licenced plumber, electrician or person who has completed an accredited course in swimming pool care and maintenance or a person with more than 12 months on the job learning or a person supervised by one of these people, in accordance with any written installation instructions provided.
2. The products have been operated in accordance with written instructions supplied by Waterco;
3. The purchaser is able to provide proof of purchase that specifies the date of purchase;
4. The product has been serviced or maintained regularly.
5. Any pump using an electric motor has:
 - Been adequately ventilated to avoid over heating;
 - Not been run on an electrical extension cord; and
 - Been installed in an area that is free from flooding or excessive outside contact with water;
6. Any pump has not been allowed to run dry (as this causes excessive damage to both the pump and motor);
7. Any pool and spa equipment has been used in water:
 - a. With a temperature not exceeding 40 degrees Celsius; Note: Pumps domestic and commercial should not exceed 35 degrees Celsius.
 - b. With a pH range maintained between 7.2 – 7.6;
 - c. That has been chemically balanced in accordance with the Langelier saturation index within a range of -0.2 to +0.2 to ensure that it is not corrosive or scale forming;
 - d. That is not salt water (other than mild saline water conditions which are compatible with swimming pool salt water chlorination systems) – unless otherwise stated by Waterco in both the respective product labels and brochures that it is suitable for seawater applications; and
 - e. That has been regularly treated with a sanitizing system using bromine, chlorine, hydrogen peroxide in one of its compound forms, or generated in-situ, in concentrations (doses) recommended by the relative state or country health departments.
8. Pressure gauges have not been exposed to frosting and freezing conditions and due care has been exercised when attaching them to any Waterco products;

Warranty Terms & Conditions

9. Electrical equipment has been adequately protected from salt air environments and from salt water; and
10. Any pump used on a filter does not have a shut-off head that exceeds the pressure rating of the filter installed.

All repairs and replacements shall be carried out by Waterco or its authorized service dealer, unless otherwise authorized in writing by Waterco.

If an authorized service dealer is not available within 50km/ 30 miles of the purchaser's area:

- The purchaser must contact the place of purchase or Waterco for further instructions and;
- The purchaser is responsible for any freight or infield labour costs.

EXCLUSIONS

This warranty does not cover, and Waterco will not be responsible for, any defect or damage caused or contributed to by:

- (a) installation or use of the product other than in accordance with Waterco's written instructions, any statutory requirements and these terms and conditions;
- (b) use of the product for a purpose other than for which it was designed or sold;
- (c) abuse, misuse, corrosion, internal and external, or normal wear and tear;
- (d) any repairs or modifications whatsoever carried out by any person, other than a Waterco authorized service dealer;
- (e) exposure to water not caused by a defect in the product; and
- (f) transit of the product over which Waterco has no control.
- (g) inadequate ventilation
- (h) cement, pebbles, render or other pool surface finishes blocking the pump's impeller
- (i) insect and/or vermin infestation

Some three phase pumps are not supplied with thermal overload protection. It is the purchaser's responsibility to have this provision installed by appropriately licensed electricians prior to the initial installation of the pump. All electrical work must comply with any appropriate statutory requirements. Warranty for installation of thermal overload protection is the sole responsibility of the licensed electrical contractor and not Waterco.

LIMITATIONS OF LIABILITY

To the extent permitted by law Waterco excludes all liability it may have to the purchaser for indirect, special or consequential loss arising from or related to any defect in any Waterco product, or any act or omission of Waterco, including, but not limited to, loss of business, loss of profit, loss of revenue, lost opportunity, inconvenience, and damage to any property other than the Waterco product.

To the extent permitted by law, Waterco excludes all other conditions, guarantees, liabilities or representations that are not expressly set out in this agreement. These terms and conditions do not attempt to exclude, restrict or modify any applicable statutory rights, or any exercise of any statutory rights, or any liability imposed on Waterco by any law if to do so would contravene that law or make any part of these terms and conditions void.

To the extent permitted by law, Waterco excludes all conditions and warranties implied into these terms and conditions and limits its liability for breach of any such condition or warranty that it cannot exclude to the greater of (at Waterco's option);

(a) for goods:

- Repairing or replacing those goods; or
- Paying the cost of having those goods repaired or replaced; and

(b) for services:

- Resupplying the services; or
- Paying the cost of having those services resupplied.

TEST YOUR WATER REGULARLY

The chemical balance of the water is a relationship between total alkalinity, pH, Calcium hardness and temperature. Waterco recommends that you have your water tested regularly (once a month) by your local pool professional. A record of testing should always be kept for reference.

Some jurisdictions do not allow the exclusion or limitation of incidental or consequential damages, so any such limitation may not apply. This warranty gives specific legal rights. The purchaser may have other rights depending on the jurisdiction in which the Waterco product was purchased or the purchaser is located.

Warranty Terms & Conditions

SCHEDULE OF WARRANTY PERIODS

All products sold by Waterco are covered by a one year warranty with the exception of the products listed below.

Domestic Applications:

PRODUCT	FULL WARRANTY	PRO-RATA WARRANTY
PUMPS		
Conditions:		
• Wet End	3 years	
• Motor, Hair & Lint Pot Lid, O'Ring, Basket, Impeller & Diffuser	2 years	
• Mechanical* Seal & Capacitor	1 year	
*Except: Silicon Carbide (sea water) seal	6 months	
FILTER		
• Thermoplastic filter tank	5 years	5 years (See column A)
• Micron Filament Wound / Exotuf filter tank	10 years	
• Cartridge / Bag filter tank	5 years	5 years (See column A)
• DE filter tank	3 years	2 years (See column B)
• MultiCyclone / Plus / Ultra / XL	2 years	
• Lacron filter tank	5 years	5 years
• W250 / W300 filters	5 years (residential)	
• Other W / WD series filters	2 years (residential)	
• All W / WD series filters	2 years (commercial)	
• Aquabiome Bead Filters	10 years	
*Except: All internal parts including fittings, valves, gauges, cartridge elements, DE grids	1 year	
All multiport valves used on sand (granular) or DE filters	2 years	
SALT CHLORINATORS		
• Hydrochlor Chlorinator Cell	3 years	
• Hydrochlor Chlorinator Power Pack	3 years	
• Hydrochlor Chlorinator cell & power pack for commercial applications	1 year	
HEAT PUMPS	Heat exchanger 25 years Compressor 3 years All other components 2 year	
BRITESTREAM LED	2 years	
MAINTENANCE EQUIPMENT		
• Aquafinger*	2 years	
* Except: Replacement Cover		
• Pro Pool Care	2 years	

Warranty Terms & Conditions

Commercial applications

All products installed in a commercial application are covered by a one year warranty except commercial filament wound tanks and commercial pumps.

PRODUCT	WARRANTY	PRO-RATA
PUMPS		
• Wet Ends	2 years	
• Hair & lint pot lid, 'o' ring, basket, impellor & diffuser	2 years	
• Motor mechanical seal & capacitor	1 year	
• Filters		
• Commercial filament wound tanks	5 years	5 years
* Except; All internal parts including fittings, valves, gauges & media	1 year	

How Our Pro-Rata Warranty Operates:

If a purchaser makes a claim under this Warranty during any pro-rata Warranty Period, Waterco will, at its discretion, replace any defective product, material or part, provided that the purchase contributes to a percentage of Waterco's list price. The purchaser is responsible for any labour and freight costs. The following table sets out the percentage payable by the purchaser for any products, materials and parts in the relevant warranty year (where year 1 is the first year after purchase):

YEAR	A	B
	5 years full warranty +5 years pro rata warranty	3 years full warranty +2 years pro rata warranty
1	0	0
2	0	0
3	0	0
4	0	60%
5	0	80%
6	50%	N/A
7	60%	N/A
8	70%	N/A
9	80%	N/A
10	90%	N/A

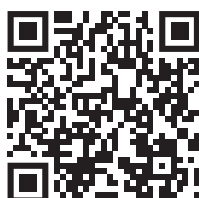
SUMMARY OF WARRANTY LIMITATIONS

The provisions of this warranty are not transferable from the original purchaser and are in addition to and not in modification of or subtraction from any applicable statutory warranties, rights or remedies.

Labour is covered by this warranty for a period of 12 months from the date of purchase or installation, within a 50km / 30 miles radius of an authorized Waterco Service Agent.

Spare parts used in the repair of products are covered by a 12 month warranty and are not covered by the original warranty from date of purchase or installation.

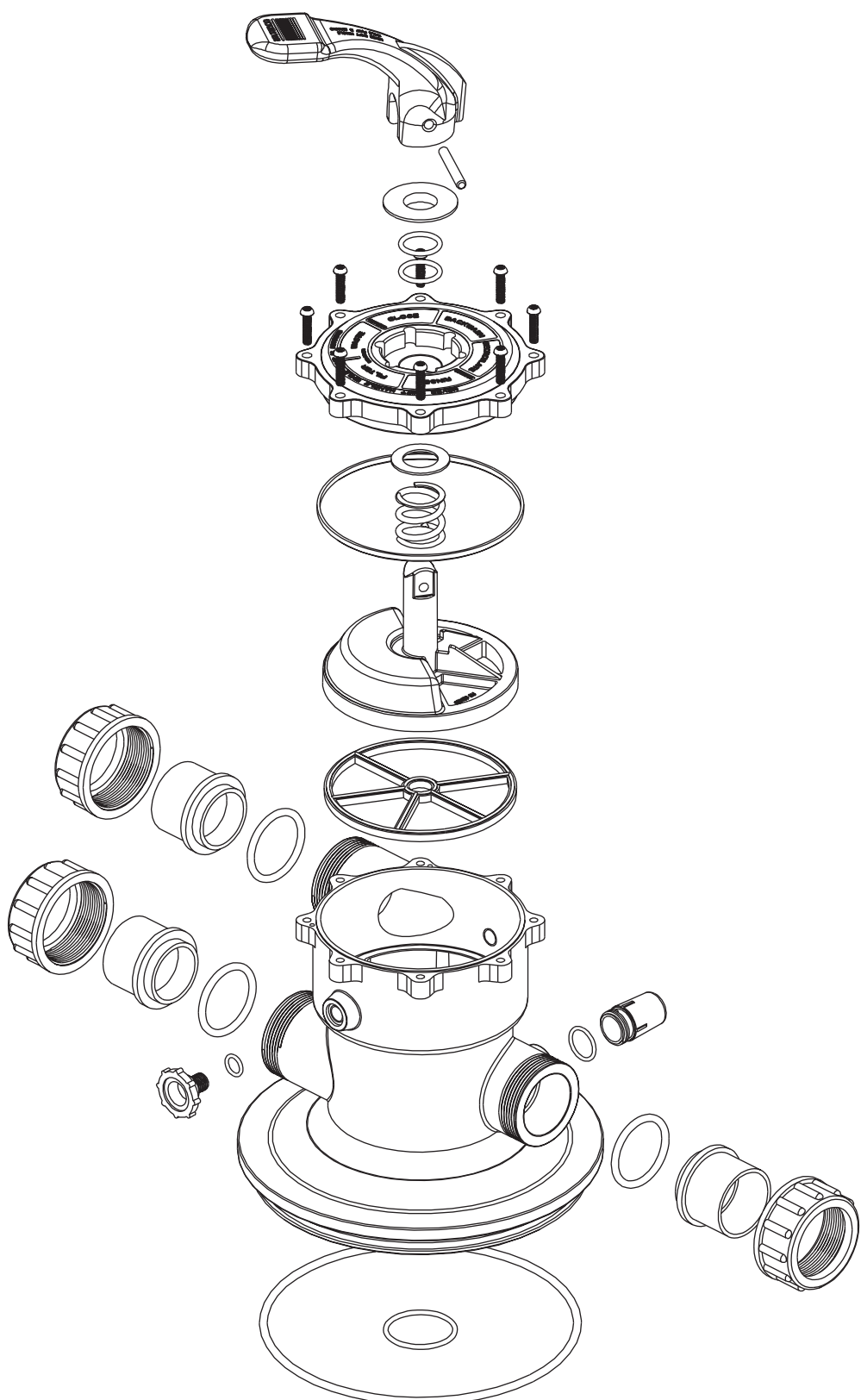
The purchaser is responsible for any freight incurred.



The Waterco (Europe) Limited Terms & Conditions of Sale are correct at the time of print. These terms & conditions can be updated at any time and are available to download from our Waterco (Europe) Limited Website; www.waterco.eu or by scanning the QR code.

WATERCO

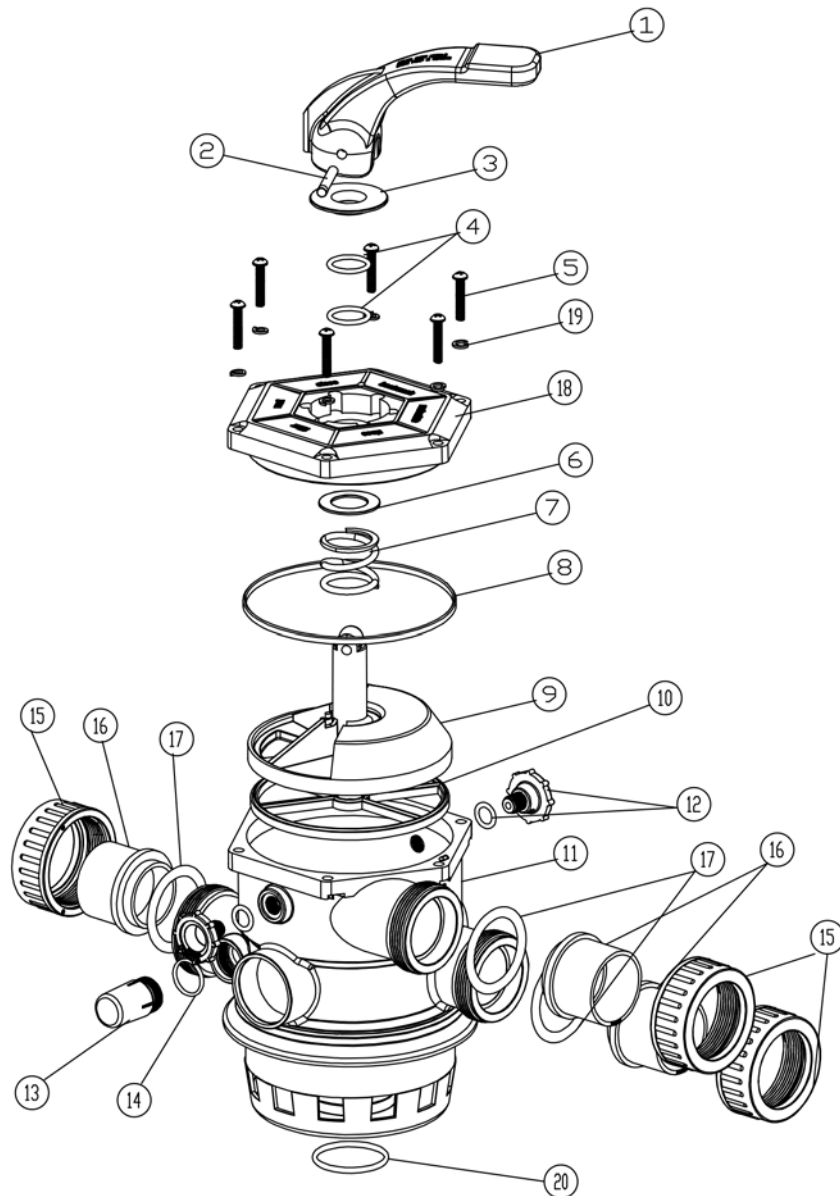
Spare Parts Catalogue



1 1/2" / 50mm Clamp Type 6"

Product Code: 2280424

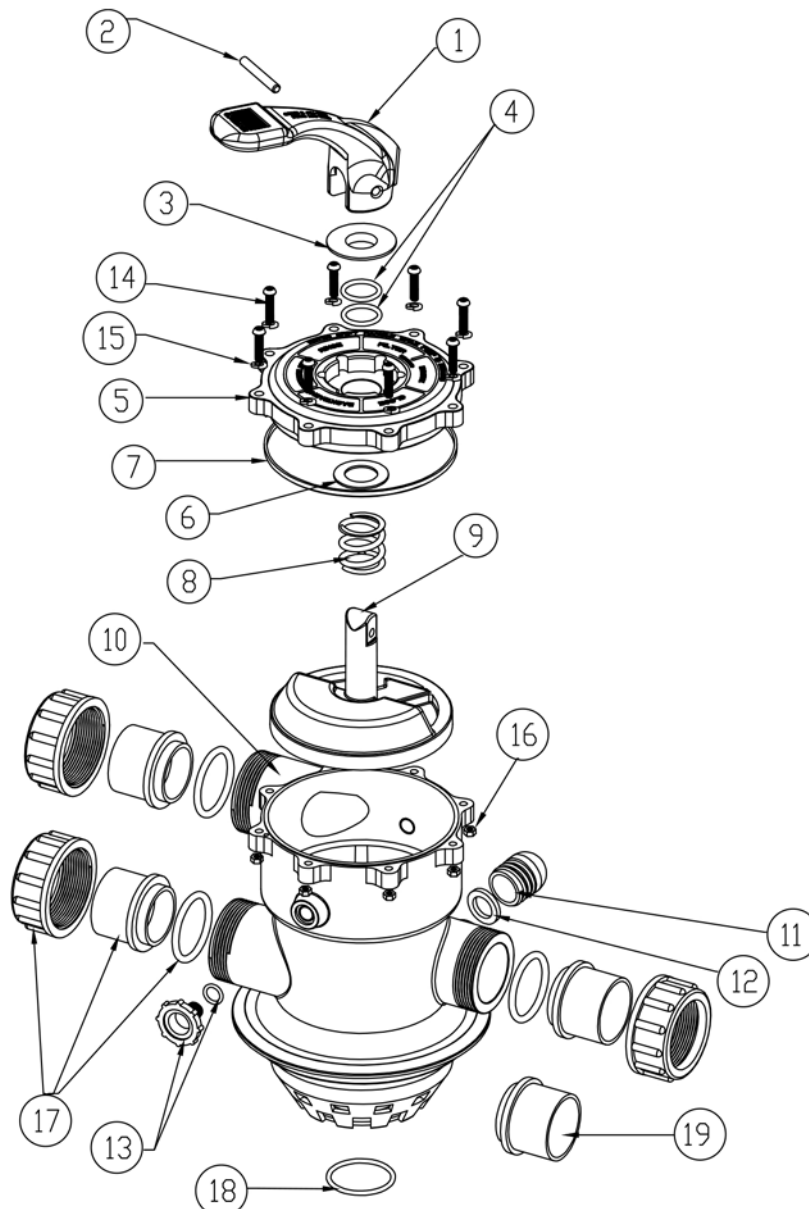
Part Number	Product Description	Diagram No.	LIST PRICE
6214511	MPV 1 1/2"/50mm mm Handle Waterco	1	34.53 €
621111	MPV 1 1/2"/50mm Handle Pin	2	5.32 €
621452	MPV 1 1/2"/50mm Teflon Ring	3	POA
6214572	MPV 1 1/2"/50mm Axel O'Ring K (Qty 2 required)	4	POA
6214642	MPV 6 Way 1 1/2"/50mm Screw 1/4"X28 P/H M/C w S/W (Qty 6 required)	5	POA
621455	Valve Teflon Ring 1 1/2"/ 50mm MPV	6	7.12 €
6214562	MPV 1 1/2"/50mm Spring	7	POA
621454	MPV 1 1/2"/50mm Top Cover Gasket	8	10.70 €
621458	MPV 1 1/2"/50mm Rotor	9	POA
6214472	MPV Body 1 1/2"/50mm Complete W/spider gasket	11	POA
620221	Air Relief Valve new style - black (Qty 2 required)	12	6.56 €
621463	MPV 1 1/2" Sight Glass	13	21.95 €
621462	MPV 1 1/2"/50mm Sight Glass Gasket	14	7.36 €
644496	B/U Locking Nut 1 1/2"/50mm - black (Qty 3 required)	15	POA
644494	B/U P/End Slip/Slip 1 1/2"/50mm - black (Qty 3 required)	16	POA
6214502	O'Ring 1 1/2"/50mm B/U EPDM (Qty 3 required)	17	POA
621453	MPV 1 1/2"/50mm Top Cover	18	POA
6214642	SPG Washer14 80-1212 (Qty 6 required)	19	POA
6214502	O'Ring 1 1/2"/50mm AS328	20	POA
6214642	Nut 1/4" SS304		POA



1 1/2" / 50mm Clamp Type 6"

Product Code: 22804456EUM

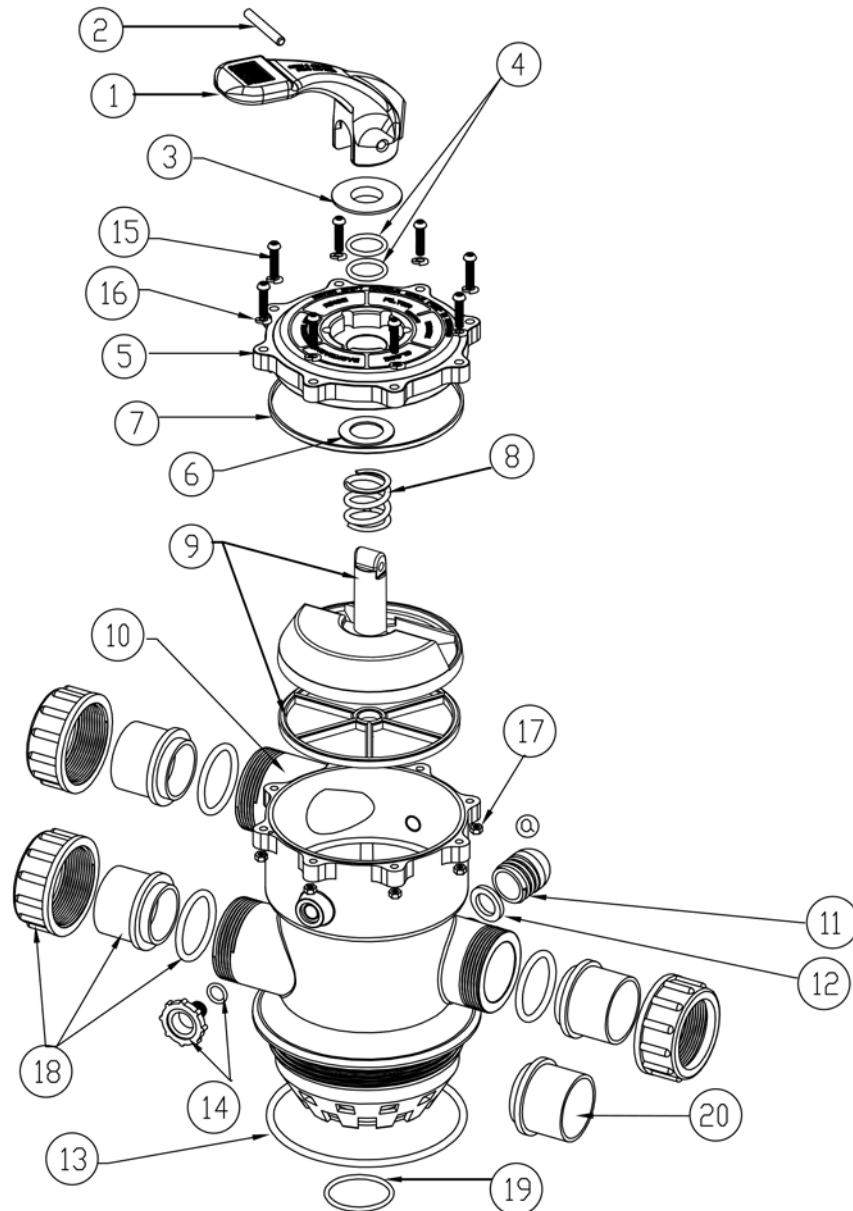
Part Number	Product Description	Diagram No.	LIST PRICE
6214511	MPV 1 1/2"/50mm Handle	1	34.53 €
621111	MPV 1 1/2"/50mm Handle Pin	2	5.32 €
6214520	MPV 1 1/2"/50mm Washer Top Cover MK3 WCO	3	9.60 €
621457	MPV 1 1/2"/50mm Axel O'Ring AS214 Qty 2 required)	4	6.64 €
6214672	MPV 40 6W T/Cvr MK2	5	70.04 €
6214550	MPV 1 1/2"/50mm Washer Rotor Axle MK3 WCO	6	POA
621454	MPV 1 1/2"/50mm Top Cover Gasket	7	10.70 €
621456	MPV 1 1/2"/50mm Spring	8	14.23 €
6214582	MPV 40 Rotor W GSK MK2	9	58.25 €
6214451	MPV TM 1 1/2"/50mm Body Clamp 6 Way MK3 Assy	10	POA
621381	MPV 2" Sight Glass	11	24.51 €
621341	MPV 2" Sight Glass Gasket	12	8.00 €
620221	Air Relief VLV NEW-B	13	6.56 €
W22567	Bolt M6X35P/H M/C A2 (Qty 8 required)	14	POA
W12782	Washer M6 Flat SS304 (Qty 8 required)	15	0.61 €
W22040	Nut Hex M6 S/S304 (Qty 8 required)	16	POA
122243B	H/Union 1 1/2"/50mm w O'Ring - Black (Qty 3 required)	17	7.31 €
W02691	O'Ring 40MPV 4W AS225	18	18.69 €
64449B	B/U P/End 50MET - Black E (Qty 3 required)	19	2.96 €



1 1/2" / 50mm Thread Type

Product Code: 22804416EUM

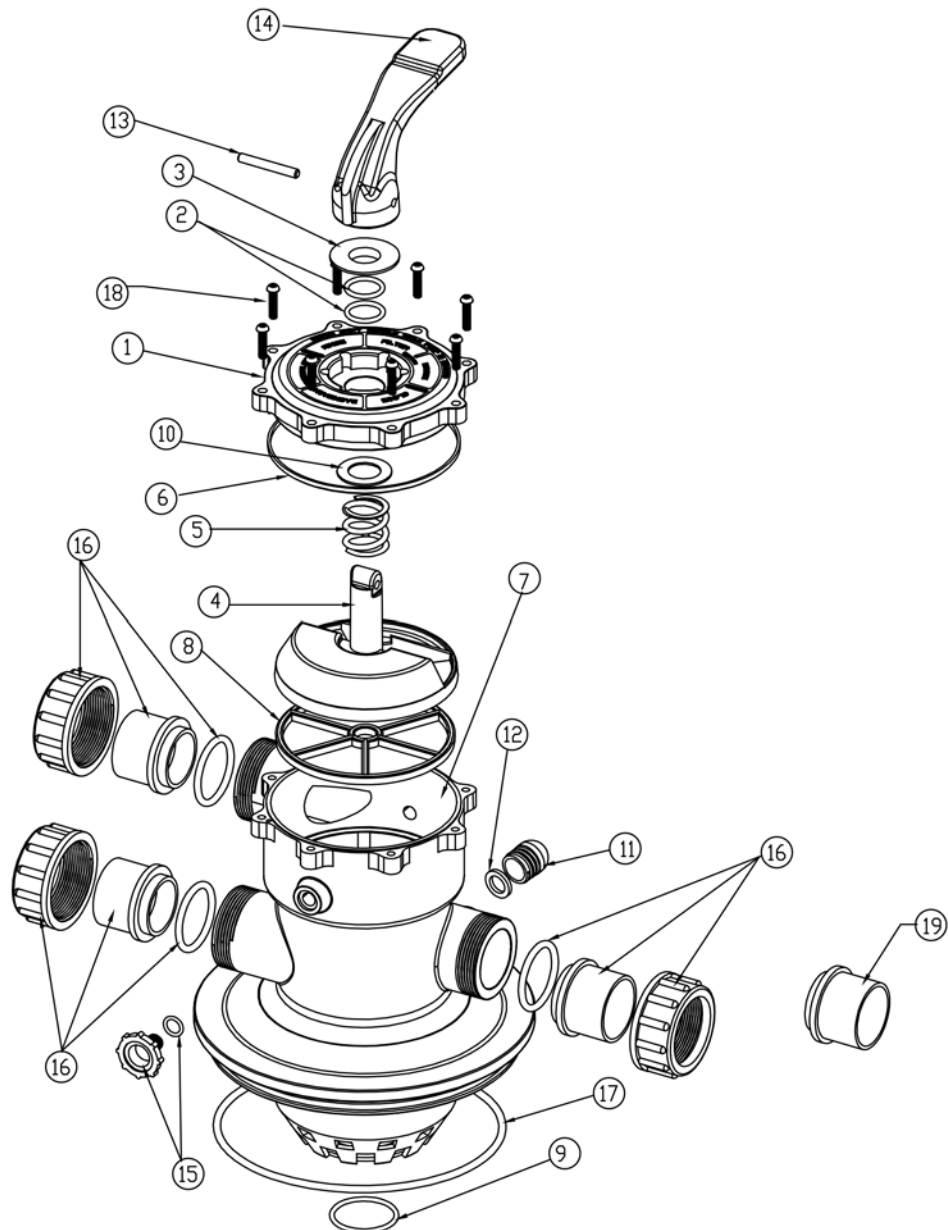
Part Number	Product Description	Diagram No.	LIST PRICE
6214511	MPV 1 1/2"/50mm Handle	1	34.53 €
621111	MPV 1 1/2"/50mm Handle Pin	2	5.32 €
6214520	MPV 1 1/2"/50mm Washer Top Cover MK3 WCO	3	9.60 €
621457	MPV 1 1/2"/50mm Axel O'Ring AS214 (K) Qty 2 required)	4	POA
6214672	MPV 1 1/2" 6W T/Cvr MK2	5	POA
6214550	MPV 1 1/2"/50mm Washer Rotor Axle MK3 WCO	6	POA
621454	MPV 1 1/2"/50mm Top Cover Gasket	7	POA
621456	MPV 1 1/2"/50mm Spring	8	POA
6214582	MPV 1 1/2" Rotor W GSK MK2	9	POA
6214411	MPV TM 1 1/2" Body 6W E/T MK3	10	POA
621381	MPV 2"/63mm Sight Glass	11	24.51 €
621341	MPV 2"/63mm Sight Glass Gasket	12	8.00 €
W02068	Top Cvr O'Ring P-145	13	12.45 €
620221	Air Relief VLV NEW-B	14	6.56 €
W22567	Bolt M6X35P/H M/C A2 (Qty 8 required)	15	POA
W12783	Washer M6 Spring SS304 (Qty 8 required)	16	0.61 €
W22040	Nut Hex M6 S/S304 (Qty 8 required)	17	POA
122243B	H/Union 1 1/2"/50mm w O'Ring - Black (Qty 3 required)	18	7.31 €
W02691	O'Ring 40mm 4W AS225	19	18.69 €
64449B	B/U P/End 50MET - Black E (Qty 3 required)	20	2.96 €



1 1/2" / 50mm Collar Type

Product Code: 2280443EUM

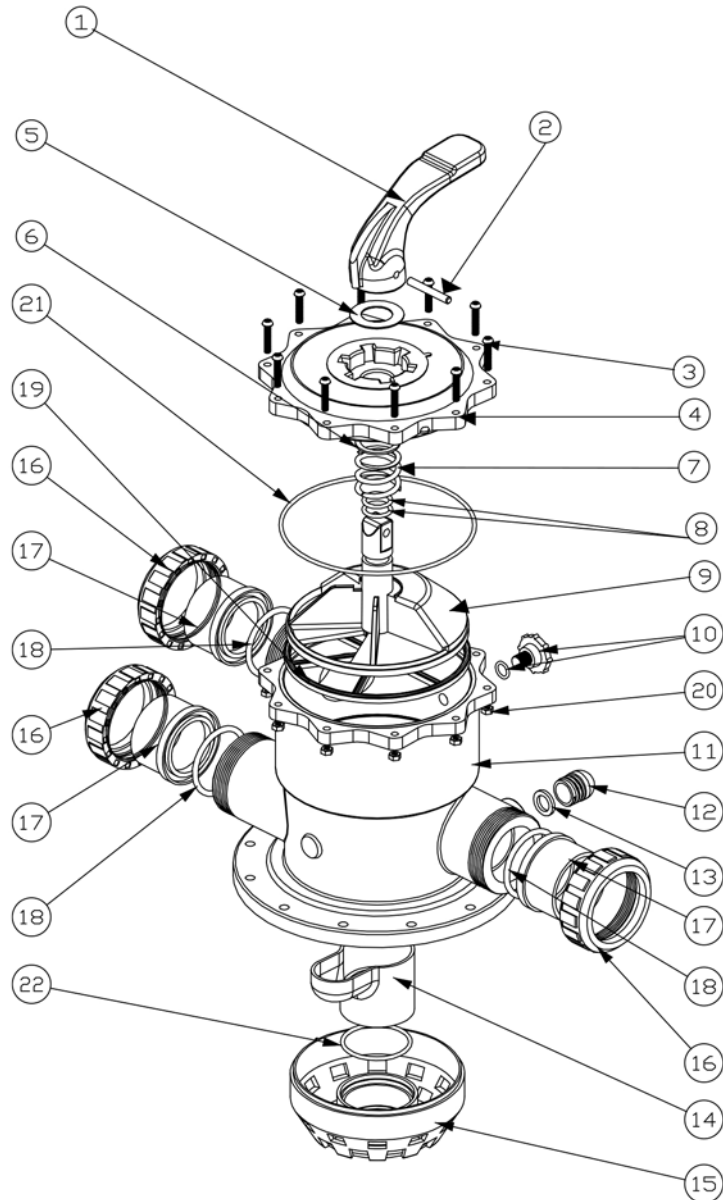
Part Number	Product Description	Diagram No.	LIST PRICE
6214672	MPV 1 1/2" 6 Way Top Cover MKII	1	POA
621457	MPV 40mm Axel O'Ring AS214 Qty 2 required)	2	POA
621452	MPV 40mm Teflon Ring	3	POA
621458	MPV 40mm Rotor	4	POA
621456	MPV 40mm Spring	5	POA
621454	MPV 40mm Top Cover Gasket	6	POA
621443	MPV TM 40mm Collar Body Assy Ext THRD	7	POA
6214601	MPV 40 TP40Spider GSK WM 6 WY Top Cover MKII	8	POA
W02691	O'Ring 40mm 4W AS225	9	18.69 €
621455	Valve Teflon Ring - 40mm MPV	10	POA
621381	MPV 2" Sight Glass	11	24.51 €
621341	MPV 2" Sight Glass Gasket	12	8.00 €
621111	MPV 1 1/2"/50mm Handle Pin	13	5.32 €
6214511	MPV 40/50/60mm Handle Extron	14	34.53 €
620221	Air Relief Valve New Style - Black	15	6.56 €
122243B	H/Union 1 1/2"/50mm w O'Ring - Black (Qty 3 required)	16	7.31 €
W02933	10" Side Mount Lid 'O' Ring	17	22.59 €
W02758	MPV 6 Way 40mm Screw 1/4"X28 P/H M/C wS/W (Qty 8 required)	18	POA
64449B	B/U P/End 50MET - Black E (Qty 3 required)	19	2.96 €



2"/ 63mm 12 - Stud Bolt-on Type

Product Code: 22804416EUM

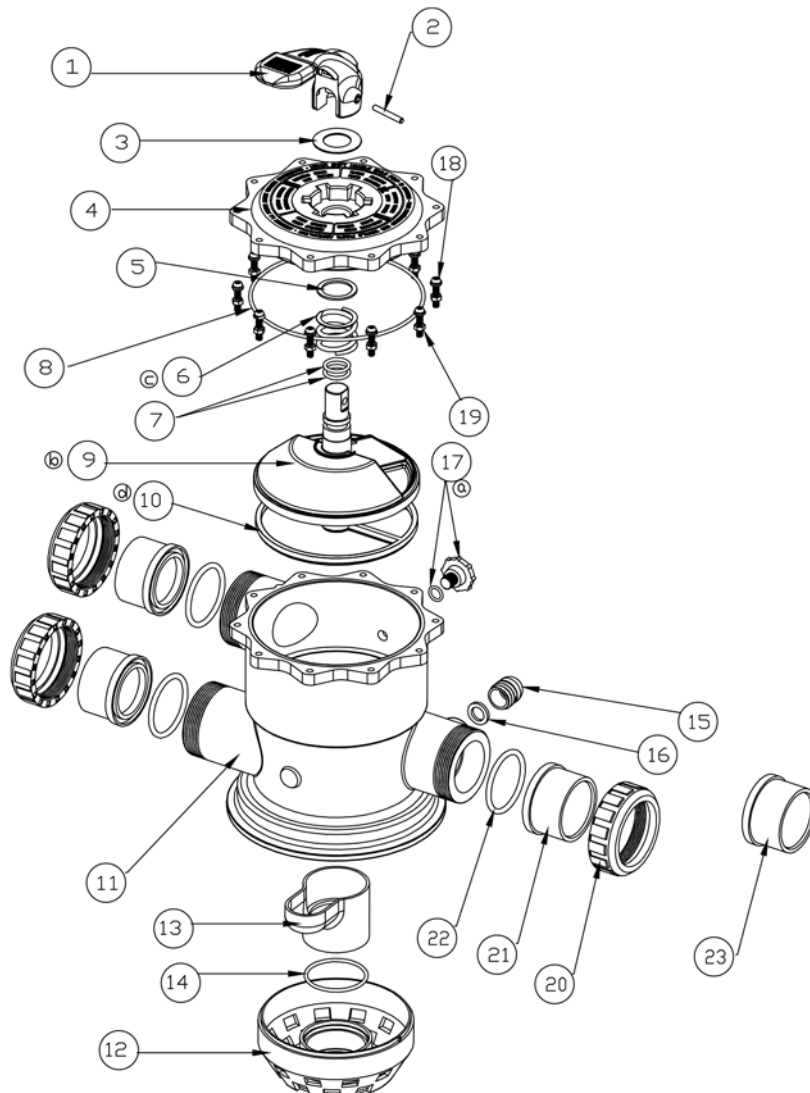
Part Number	Product Description	Diagram No.	LIST PRICE
6214511	MPV 2"/63mm Handle Extron	1	34.53 €
621111	MPV 2"/63mm Handle Pin	2	5.32 €
6211303	MPV 2"/63mm Lid MK2 WCO M/C	4	POA
621181	MPV 2"/63mm Spring	7	POA
621201	MPV 2"/63mm Valve Axle O'Ring (Qty 2 required)	8	6.99 €
621231	MPV 2"/63mm Rotor	9	POA
620221	Air Relief Valve New Style - Black	10	6.56 €
W02617	MPV 2"/63mm Body 12 Stud Male	11	POA
621381	MPV 2" Sight Glass	12	24.51 €
621341	MPV 2"/63mm Sight Glass Gasket	13	8.00 €
W02626	MPV 2"/63mm Adapter	14	POA
W02625	MPV 2"/63mm Diffuser	15	POA
W02083BLK	B/U Locking Nut 2"/63mm - Black (Qty 3 required)	16	4.09 €
W02081BLK	B/U P/end Slip/Slip 2"/63mm - Black (Qty 3 required)	17	3.03 €
W02280	O'Ring 2"/63mm B/U Nitrile (Qty 3 required)	18	3.87 €
621261	MPV 2"/63mm Spider Gasket (Qty 3 required)	19	POA
6340062	Nut Hex M6 Brass NI/Plated (Qty 10 required)	20	0.57 €
621151	MPV 2"/63mm Top O'Ring	21	POA
621320	MPV 2"/63mm Diffuser O'Ring	22	8.57 €



2"/ 63mm Clamp Type 8

Product Code: 228058EUM

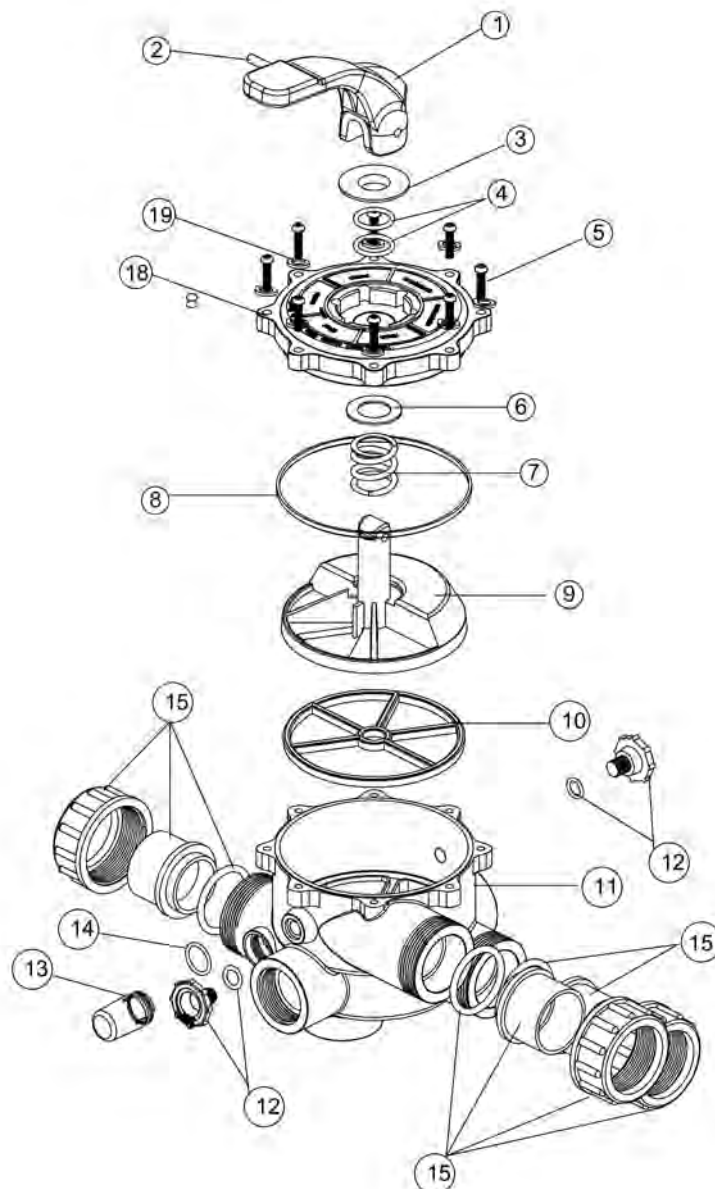
Part Number	Product Description	Diagram No.	LIST PRICE
6214511	MPV 2"/63mm Handle Extron	1	34.53 €
621111	MPV 2"/63mm Handle Pin	2	5.32 €
6211303	MPV 2"/63mm Lid MK2 WCO M/C	4	POA
621183	MPV 2"/63mm Spring 3.5 Coil Wire DIA 5.5mm	6	POA
621201	MPV 2"/63mm Valve Axle O'Ring (Qty 2 required)	7	POA
621151	MPV 2"/63mm Top O'Ring	8	POA
621237	Rotor & Gasket 70 Shore A MPV 2" / 63mm MKII WCO		POA
W32020	MPV 2"/63mm Rotor MKII M/C	9	POA
W32230	MPV 2"/63mm Spider Gasket 70 shore MKII	10	POA
621305	MPV TM 2" / 63mm Body Assy 8" Clamp MKII WCO		POA
620221	Air Relief Valve New Style - Black		6.56 €
W44511	MPV 2"/63mm Body 8" Clamp MKII M/C	11	POA
W22480	MPV 2"/63mm Diffuser MKII	12	POA
W22481	MPV 2"/63mm Adapter MKII	13	POA
621320	MPV 2"/63mm Diffuser O'Ring	14	8.57 €
621381	MPV 2"/63mm Sight Glass	15	24.51 €
621341	MPV 2"/63mm Sight Glass Gasket	16	8.00 €
620221	Air Relief Valve New Style - Black (Qty 2 required)	17	6.56 €
6340062	Nut Hex M6 Brass Ni/Plated (Qty 10 required)	19	0.57 €
W02083BLK	B/U Locking Nut 2"/63mm - Black (Qty 3 required)	20	4.09 €
W02081BLK	B/U P/end Slip/Slip 2" - Black (Qty 3 required)	21	3.03 €
W02280	O'Ring 2"/63mm B/U Nitrile (Qty 3 required)	22	3.87 €
6340244B	B/U Plain End Slip/Slip 63mm Metric - Black (Qty 3 required)	23	3.03 €



1 1/2" / 50mm MPV

Product Code: 2290422

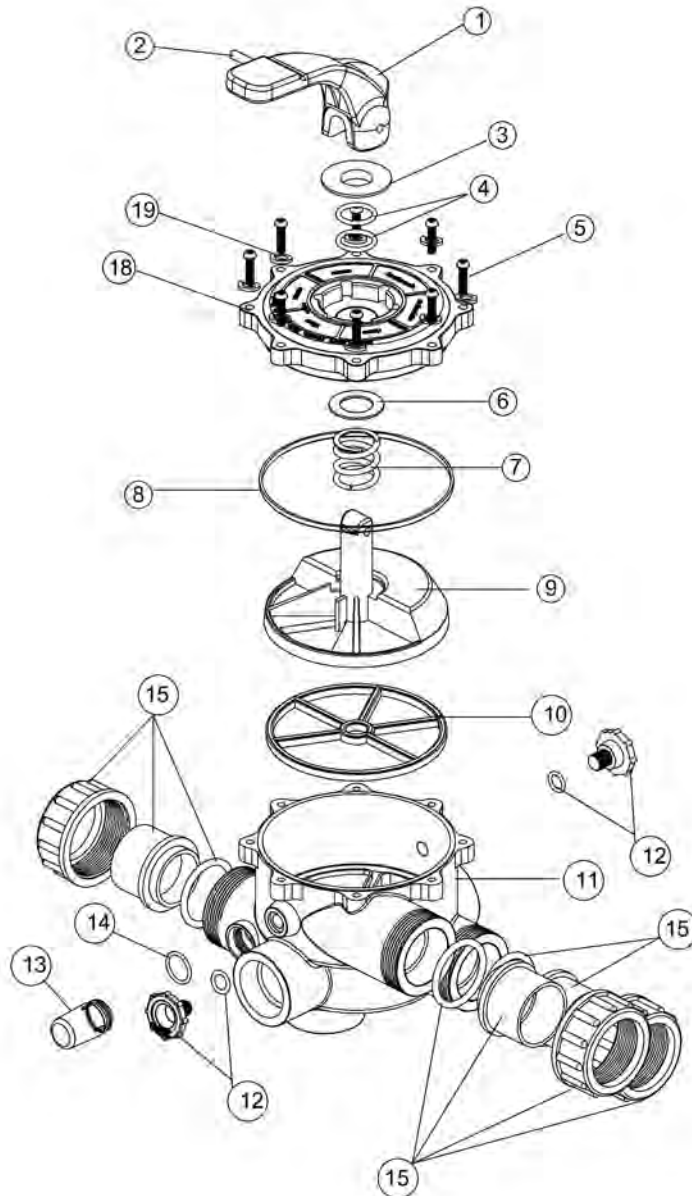
Part Number	Product Description	Diagram No.	LIST PRICE
621514	MPV 40mm Handle	1	POA
621111	MPV 40mm /50mm Handle Pin	2	5.32 €
621452	MPV 40mm Teflon Ring	3	POA
6214572	MPV 40mm Axel O'Ring (Qty 2 required)	4	POA
621455	Valve Teflon Ring 40mm MPV	7	POA
6214562	MPV 40mm Spring	8	POA
621454	MPV 40mm Top Cover Gasket	9	POA
621458	MPV 40mm Rotor	10	POA
621460	MPV TM 40mm Spider Gasket	11	POA
6214604	MPV SM Body 40mm SF Male/Female BSP	12	POA
620221	Air Relief Valve New Style - Black (Qty 2 required)	13	6.56 €
621463	MPV 1 1/2" Sight Glass	14	POA
621462	MPV 40mm Sight Glass Gasket	15	POA
122246	H/Union 40mm W/O'Ring SM MPV (Qty 3 required)	15	POA
644496	B/U Locking Nut 40mm - Black (Qty 3 required)	15	POA
644494	B/U P/end Slip/Slip 40mm - Black (Qty 3 required)	15	POA
64449B	B/U Plain End Slip/Slip 50mm Metric - Black (Qty 3 required)	15	2.96 €
6214502	O'Ring 40mm B/U EPDM	15	POA
621467	MPV 40mm 6 Way Top Cover 4 languages	18	POA



1 1/2" / 50mm Bead Filter

Product Code: 229042

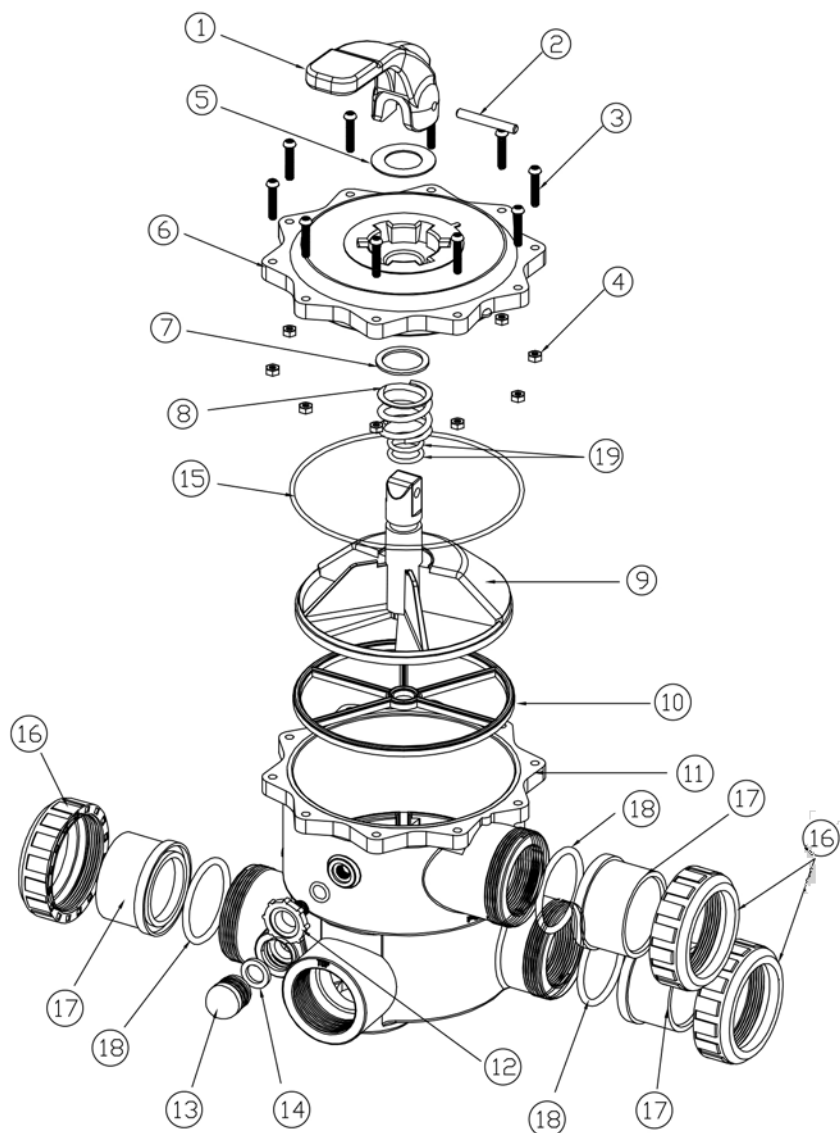
Part Number	Product Description	Diagram No.	LIST PRICE
621514	MPV 40mm Handle	1	POA
621111	MPV 40mm/50mm Handle Pin	2	5.32 €
621452	MPV 40mm Teflon Ring	3	POA
6214572	MPV 40mm Axel O'Ring (Qty 2 required)	4	POA
621455	Valve Teflon Ring 40mm MPV	7	POA
6214562	MPV 40mm Spring	8	POA
621454	MPV 40mm Top Cover Gasket	9	POA
621458	MPV 40mm Rotor	10	POA
621460	MPV TM 40mm Spider Gasket	11	POA
6214604	MPV SM Body 40mm SF Male/Female BSP	12	POA
620221	Air Relief Valve New Style - Black (Qty 2 required)	13	6.56 €
621463	MPV 40mm Sight Glass	14	POA
621462	MPV 40mm Sight Glass Gasket	15	POA
122246	H/Union 40mm W/O'Ring SM MPV (Qty 3 required)	15	POA
644496	B/U Locking Nut 40mm - Black (Qty 3 required)	15	POA
644494	B/U P/end Slip/Slip 40mm - Black (Qty 3 required)	15	POA
6214502	O'Ring 40mm B/U EPDM	18	POA
621467	MPV 40mm 6 Way Top Cover MKII	19	POA



2"/ 63mm MPV

Product Code: 2290512EURO

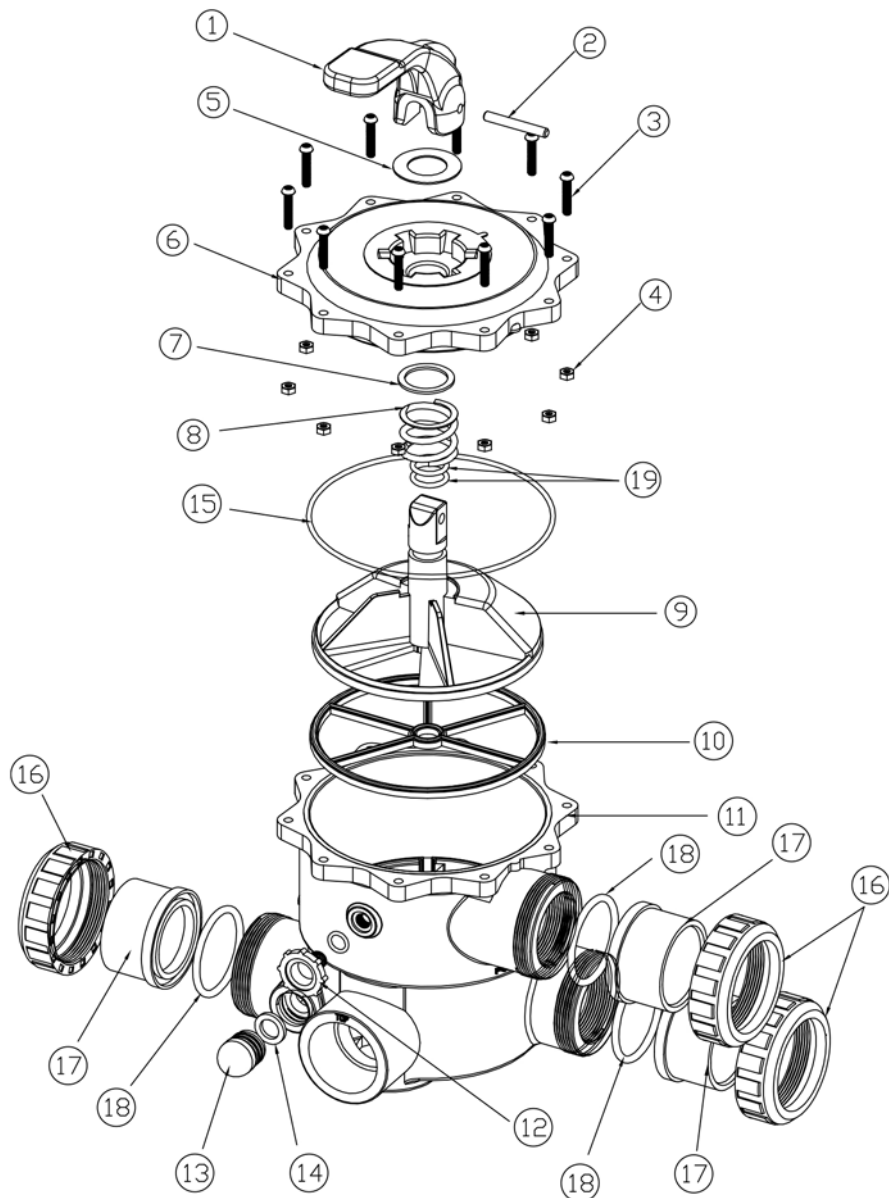
Part Number	Product Description	Diagram No.	LIST PRICE
6214511	MPV 40/50/63mm Handle Extron	1	34.53 €
621111	MPV 40mm / 50mm Handle Pin	2	5.32 €
W02624	MPV 50mm Lid Nut M6x30 W (Qty 10 required)	4	POA
6211303	MPV 50mm Lid MKII WCO M/C	6	POA
621161	MPV 50mm Rotor Washer Sml	7	POA
621181	MPV 50mm Spring	8	POA
621231	MPV 50mm Rotor	9	POA
W12040	MPV SM50mm Body SF INT THRD	11	POA
W12041	MPV SM50mm Body DE INT THRD	11	POA
620221	Air Relief Valve New Style - Black (Qty 2 required)	12	6.56 €
621381	MPV 50mm Sight Glass	13	POA
621151	MPV 50mm Top O'Ring	15	POA
W02083BLK	B/U Locking Nut 50mm - Black (Qty 3 required)	16	4.09 €
W02081BLK	B/U P/End Slip/Slip 50mm - Black (Qty 3 required)	17	3.03 €
6340244B	B/U P/End Slip/Slip 63mm Metric - Black (Qty 3 required)	17	3.03 €
W02280	O'Ring 50mm B/U Nitrile (Qty 3 required)	18	3.87 €
621201	MPV 50mm Valve Axle O'Ring (Qty 2 required)	19	POA



2"/ 63mm Bead Filter MPV

Product Code: 229052

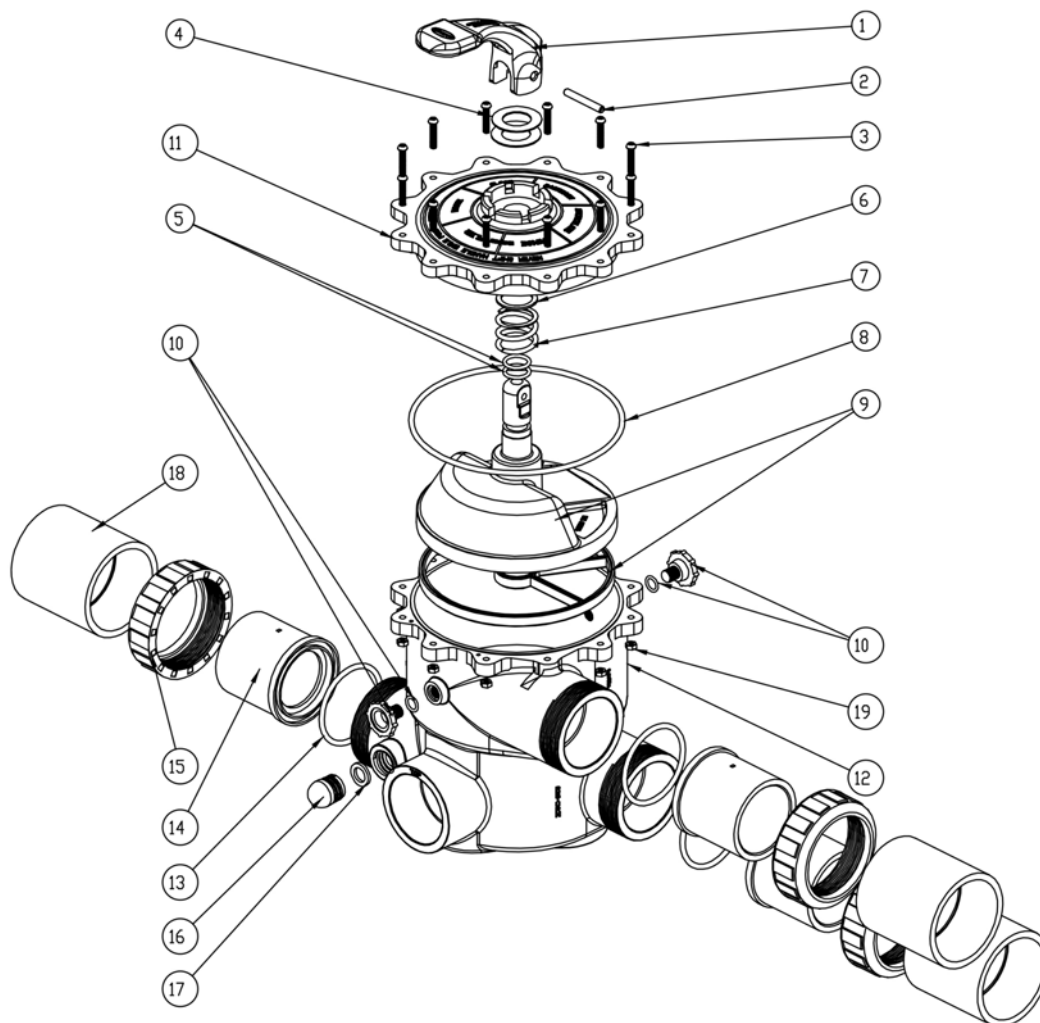
Part Number	Product Description	Diagram No.	LIST PRICE
6214511	MPV 40/50/63mm Handle Extron	1	34.53 €
621111	MPV 40mm / 50mm Handle Pin	2	5.32 €
6340062	Nut Hex M6 Brass NI/Plated (Qty 10 required)	4	0.57 €
6211303	MPV 50mm Lid MKII WCO M/C	6	POA
621161	MPV 50mm Rotor Washer Sml	7	POA
621181	MPV 50mm Spring	8	POA
621231	MPV 50mm Rotor	9	POA
W02682	MPV 50mm Body Slip Fit SF	11	POA
W02683	MPV 50mm Body Slip Fit DE	11	POA
620221	Air Relief Valve New Style - Black (Qty 2 required)	12	6.56 €
621381	MPV 50mm Sight Glass	13	POA
621341	MPV 50mm Sight Glass Gasket	14	POA
621151	MPV 50mm Top O'Ring	15	POA
W02083BLK	B/U Locking Nut 50mm - Black (Qty 3 required)	16	4.09 €
W02081BLK	B/U P/End Slip/Slip 50mm - Black (Qty 3 required)	17	3.03 €
W02280	O'Ring 50mm B/U Nitrile (Qty 3 required)	18	3.87 €
621201	MPV 50mm Valve Axle O'Ring (Qty 2 required)	19	POA



2 1/2" / 75mm Side Mount MPV

Product Code: 2290501

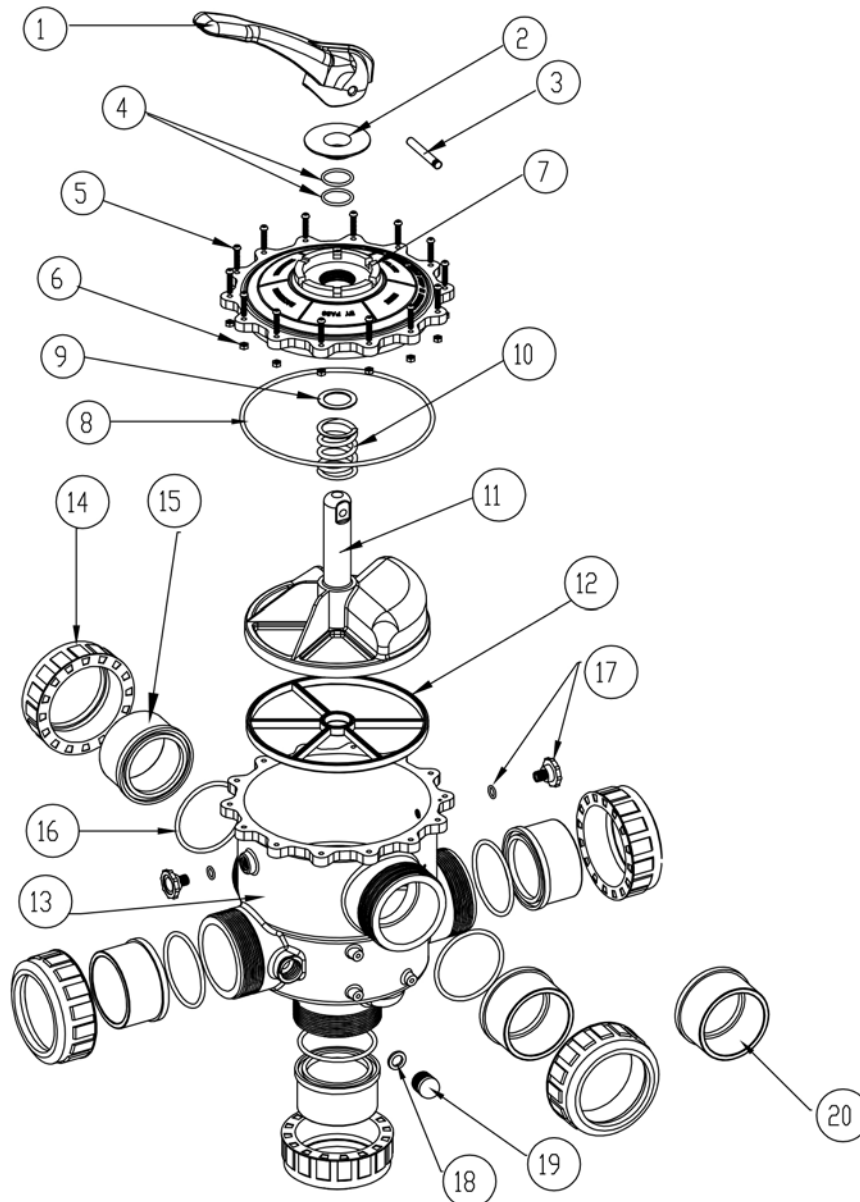
Part Number	Product Description	Diagram No.	LIST PRICE
6214511	MPV 40/50/63mm Handle Extron	1	34.53 €
621111	MPV 40mm/50mm Handle Pin	2	5.32 €
W12109	Screw (Qty 12 required)	3	POA
W02627	Teflon Washer (Qty 2 required)	4	POA
621201	Axial O'Ring (Qty 2 required)	5	POA
W02628	W02628 Teflon Washer	6	POA
621182	Spring	7	POA
621152	Lid O'Ring	8	POA
621233	Rotor W/Gasket	9	POA
621235	Spider Gasket	9	POA
620221	Air Relief Valve New Style - Black (Qty 2 required)	10	6.56 €
6211302	Lid	11	POA
6213021	Body	12	POA
63406554	O'Ring (Qty 3 required)	13	POA
644490	B/U P/End Slip/Slip 2.5"/3"mm (Qty 3 required)	14	33.71 €
63406551BLK	B/U Lock Nut 65mm (Qty 3 required)	15	POA
621381	Sight Glass	16	POA
621341	Sight Glass Gasket	17	POA
12780	Coupling 80mm	18	15.61 €
6340062	Nickle Plate Nut	19	0.57 €



3"/ 90mm Side Mount MPV

Product Code: 2290900

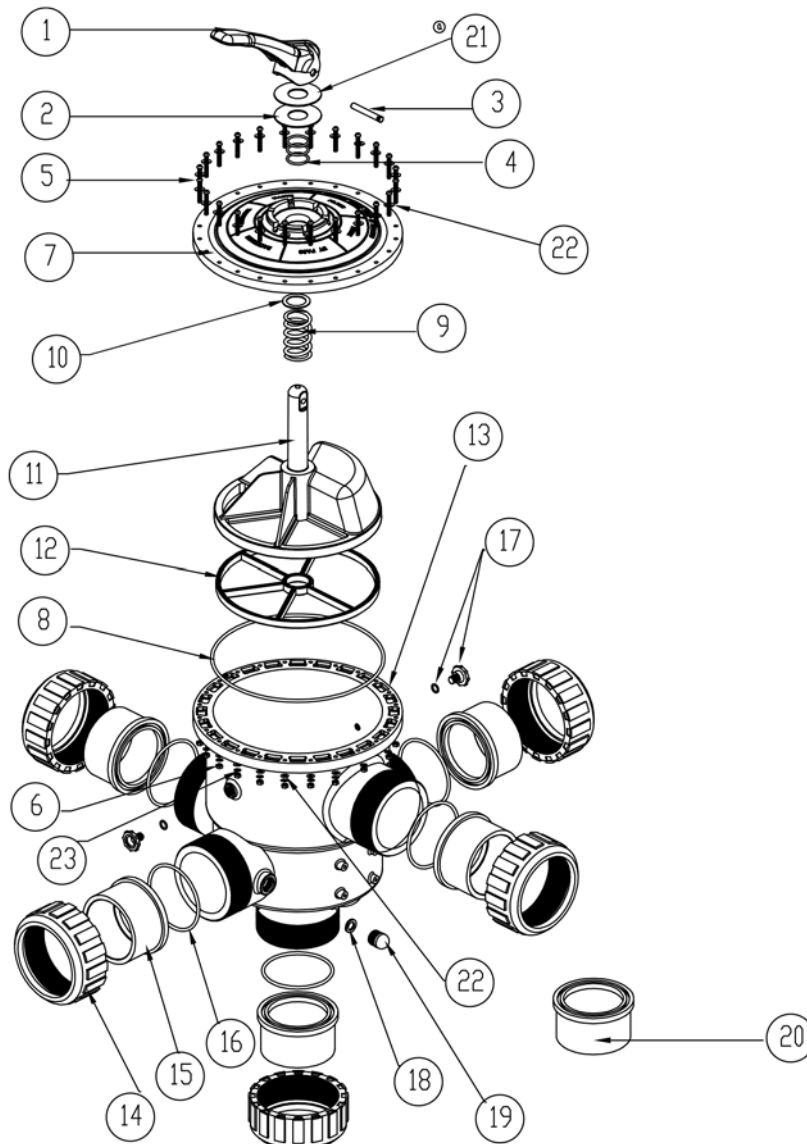
Part Number	Product Description	Diagram No.	LIST PRICE
621100	MPV 80mm Handle	1	POA
621193	MPV 80mm Sleeve	2	POA
6211020	MPV 80mm Handle Pin	3	POA
621202	O'Ring BS220 MPV80 Axel (Qty 2 required)	4	POA
W12109	MPV 50/65/80mm Lid Bolt (Qty 14 required)	5	POA
W02624	MPV 50mm Lid Nut M6x30 W (Qty 14 required)	6	POA
6211310	MPV 80 Lid P/Print	7	POA
621142	O'Ring G245 MPV 80mm Lid	8	POA
6211060	MPV 80mm Washer	9	POA
621192	MPV 80mm Spring 90LBS	10	POA
621243	MPV 80mm Rotor	11	POA
621272	MPV 80mm Spider Gasket	12	POA
621293	MPV SM80mm Body	13	POA
634080BLK	Half Union 80mm W/O'Ring - Black (Qty 5 required)		POA
W02253BLK	B/U Locking Nut 80mm - Black (Qty 5 required)	14	10.00 €
W02255BLK	B/U Plain End Slip/Slip 80mm - Black (Qty 5 required)	15	POA
W02249	O'Ring 80mm B/U EDPM (Qty 5 required)	16	10.47 €
620221	Air Relief Valve New Style - Black (Qty 2 required)	17	6.56 €
621341	Sight Glass Gasket	18	POA
621381	MPV 50mm Sight Glass	19	POA
W02255EBLK	B/U P/End 90MET - Black (Qty 5 required)	20	POA



2 1/2" / 75mm Side Mount MPV

Product Code: 2290501

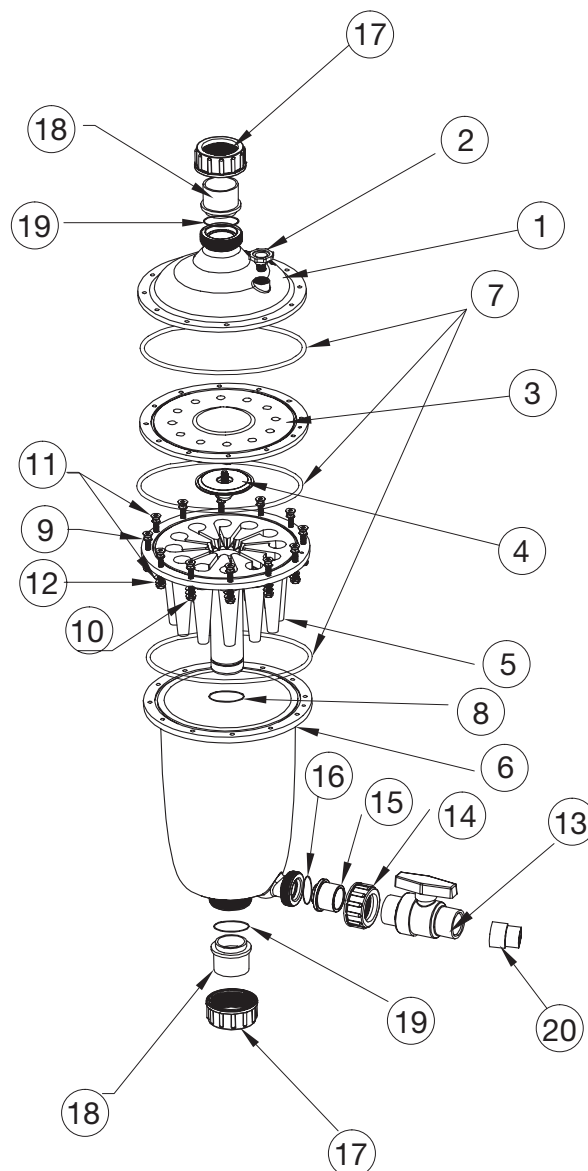
Part Number	Product Description	Diagram No.	LIST PRICE
621100	MPV 80mm Handle	1	POA
621193	MPV 80mm Sleeve	2	POA
6211020	MPV 80mm Handle Pin	3	POA
621202	O'Ring BS220 MPV80 Axel (Qty 3 required)	4	POA
W12781	Bolt M6x50mm Hex Head SS304 (Qty 24 required)	5	POA
6340062	Nut Hex M6 Brass NI/Plated (Qty 24 required)	6	0.57 €
6211028	MPV 100mm Lid P/Printed	7	POA
62110110	O'Ring BS381 MPV 100mm Lid	8	POA
62110150	MPV 100mm Spring	9	POA
6211060	MPV 80mm Washer	10	POA
62110220	MPV 100mm Rotor	11	POA
62110130	MPV 100mm Spider Gasket	12	POA
6211029	MPV SM100mm Body	13	POA
6340801	Half Union 100mm Black (Qty 5 required)		93.52 €
12221009	B/U Locking Nut 100mm - Black (Qty 5 required)	14	POA
12221011	B/U Plain End Slip/Slip 100mm - Black (Qty 5 required)	15	37.56 €
W02553	O'Ring 100mm B/U Nitrile (Qty 5 required)	16	27.60 €
620221	Air Relief Valve New Style - Black (Qty 2 required)	17	6.56 €
621341	Sight Glass Gasket	18	POA
621381	MPV 50mm Sight Glass	19	POA
12221008	B/U P/End Slip/Slip 110 Metric - Black (Qty 5 required)	20	62.62 €
W22770	MPV 100mm Handle Flat Washer	21	POA
W12782	Washer M6 Flat SS304 (Qty 48 required)	22	0.61 €
W12783	Washer M6 Spring SS304 (Qty 24 required)	23	0.61 €



MultiCyclone 12 Centrifugal

Product Code: 200374

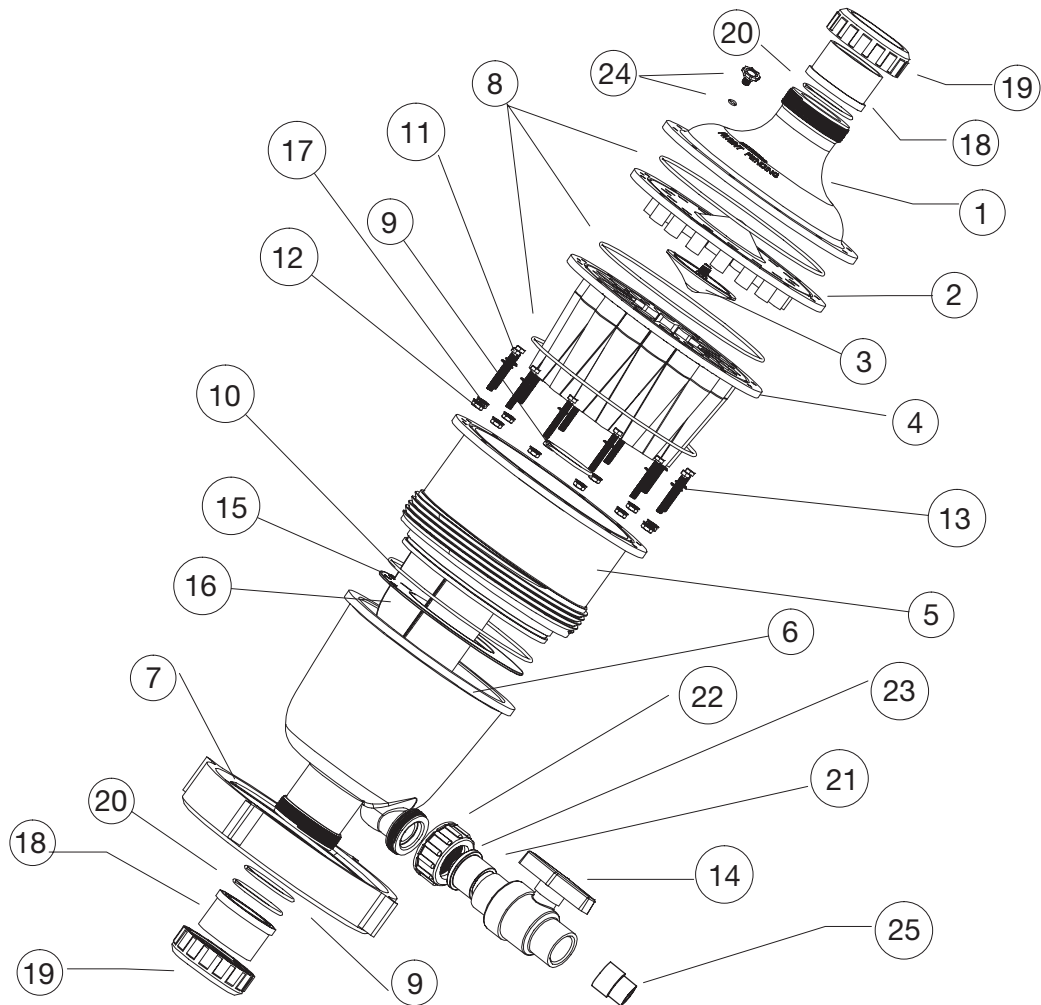
Part Number	Product Description	Diagram No.	LIST PRICE
613130	Multicyclone Collector 40mm Blank	1	57.77 €
620221	Air Relief Value New Style Blk	2	6.56 €
W22282	Multicyclone Manifold Plate 12 Cyclone 40mm	3	18.69 €
W22283	Multicyclone Flow Director 40mm	4	10.33 €
61317	MultiCyclone Body 40mm 12 Cyclone	5	178.13 €
61312	MultiCyclone Sediment Bowl 40mm	6	351.73 €
61308	Body 'O' Ring BS268 3 per filter	7	9.43 €
S0614511	Body 'O' Ring BS224	8	20.59 €
W12781	Bolt M6 x 50mm Hex Head SS304 12 per filter	9	4.33 €
6340062	Nut Hex M6 Brass Nickle Plated 12 per filter	10	0.57 €
W12782	Washer M6 Flat SS304 24 per filter	11	0.61 €
W12783	Washer M6 Spring SS304 12 per filter	12	0.61 €
140252	Compact Ball Valve 25mm Black	13	26.24 €
1222256	B/U Lock Nut 25mm Black	14	6.61 €
1222253	B/U P/End Slip/Slip 25mm Black	15	2.81 €
644790	O Ring BS218	16	1.20 €
W02209BLK	B/U Locking Nut 50mm/1.5" Black	17	2.96 €
W02210BLK	B/U P/End Slip/Slip 1.5" imperial Black	18	2.96 €
64449B	B/U P/End Slip/Slip 50mm Metric Black	18	2.96 €
W32702-HBG	O Ring 50mm B/U EPDM	19	10.05 €
622432	Adaptor 1" to 32mm Metric	20	7.96 €



MultiCyclone 16 Centrifugal

Product Code: 200375

Part Number	Product Description	Diagram No.	LIST PRICE
613010	Multicyclone Collector Blank	1	60.80 €
61304	Multicyclone Manifold Plate Assembly	2 & 3	19.67 €
61303	MultiCyclone Separator	4	38.68 €
61300	Multicyclone Body	5	155.06 €
61302	Multicyclone Sediment Bowl	6	247.65 €
62024BLK	TCF Lock Ring Black	7	35.44 €
61308	O Ring BS268 3 per filter	8	9.43 €
W02469	O Ring AS228 2 per filter	9	4.27 €
61307	O Ring BS263	10	7.35 €
W12984	Bolt M6 x 45mm Hex Head SS304 12 per filter	11	3.91 €
6340062	Nut Hex M6 Brass Nickle Plated 12 per filter	12	0.57 €
W12782	Washer M6 Flat SS304 24 per filter	13	0.61 €
140252	Compact Ball Valve 25mm Black	14	26.24 €
61306	Multicyclone Baffle Ring	15	18.15 €
61305	Multicyclone Partition	16	12.52 €
W12783	Washer M6 Spring SS304 12 per filter	17	0.61 €
W02081BLK	B/U P/End Slip/Slip 2" imperial Black	18	3.03 €
6340244B	B/U P/End Slip/Slip 63mm Metric Black	18	3.03 €
W02647BLK	T/L Lock Nut 2"/63mm New Black	19	4.30 €
W02280	O Ring 2"/63mm B/U	20	3.87 €
1222253	B/U Plain End Slip/Slip 25mm Black	21	2.81 €
1222256	B/U Lock Nut 25mm Black	22	6.61 €
644790	O Ring BS218	23	1.20 €
620221	Air Relief Valve New Style Black	24	6.56 €
622432	O-Adaptor 1" to 32mm Metric Ring BS218	25	7.96 €

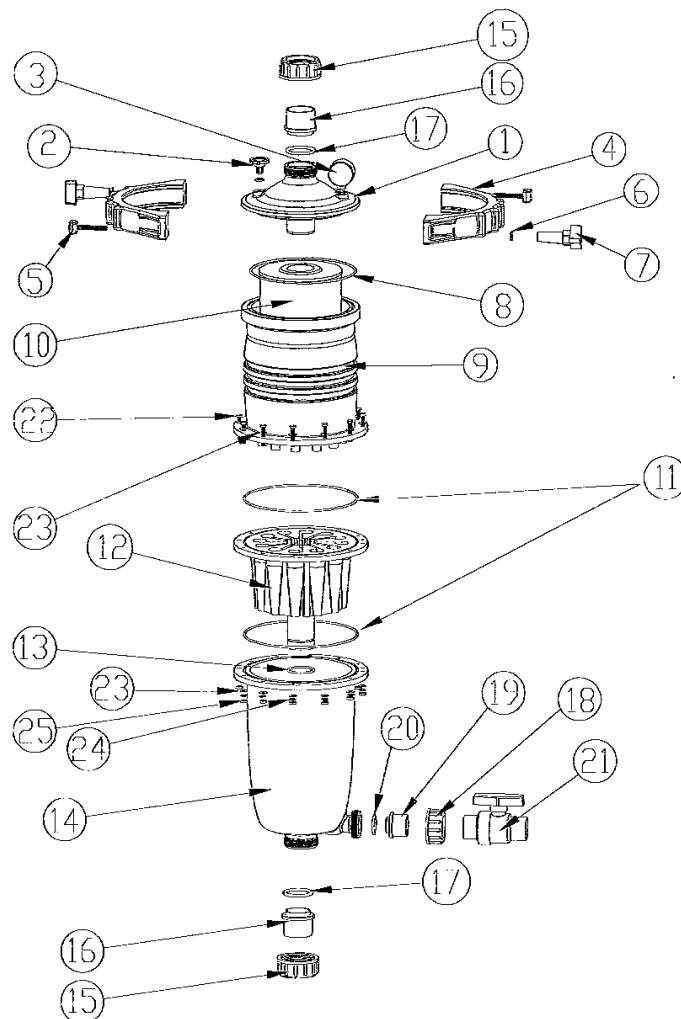


MultiCyclone 12 Plus / Ultra Cartridge Filter

Product Codes: 200380, 200382

Part Number	Product Description	Diagram No.	LIST PRICE
613140	Multicyclone Collector 40mm Clamp Type	1	67.47 €
620221	Air Relief Tap	2	6.56 €
621632	Pressure Gauge liquid 400kPa Bottom	4	48.26 €
6220202	Clamp Band (Qty 2 required)	5	53.67 €
622203	Screw Overmolded M8 x60 S/S A2 Hex Bolt (qty req. 2)	6	52.21 €
W22280	Washer Flat M8 Brass (Qty req. 2)	7	9.00 €
W02195TLJ	DE Knob w B/106 head (Qty req. 2)	8	9.10 €
W12612	O' Ring 4 x 200	9	6.57 €
61310	M/Cyclone Cartridge Housing MC12 (Plus)	9	256.28 €
61327	M/Cyclone Cartridge Housing MC12 (Ultra)	10	260.10 €
62451	M/Cyclone Plus Cartridge Element 40 sq ft (Plus)	10	130.98 €
62453	M/Cyclone ultra Cartridge Element 75 sq ft (Ultra)	11	165.14 €
61308	Body Ring 'O' Ring BS268 (Qty req. 2)	12	9.43 €
61317	Multicyclone separator MC12 Plus/Ultra	13	178.13 €
S0614511	O' Ring ID 1.75" x 2" DD (BS224)	14	20.59 €
61312	M/cyclone Sediment Bowl 40mm	15,16,17	351.73 €
122243B	1.5" Half union (imperial)	15,16,17	7.31 €
122245B	50mm Half union (metric)	18,19,20	7.52 €
122252	25mm/1" half union	21	9.45 €
140252	Compact Ball Valve	22	26.24 €
W12984	Bolt M6 x 45mm Hex Head SS304 (Qty req. 12)	23	3.91 €
W12782	washer M6 flat SS304 (Qty req. 24)	24	0.61 €
W12783	Washer M6 Spring SS304 (Qty req. 12)	25	0.61 €
6340062	Nut Hex M6 S/S304 (Qty req. 12)		0.57 €
121325	25mm 90 Deg Elbow	N/S	4.06 €

For pressure gauges - see page 14 of main price list

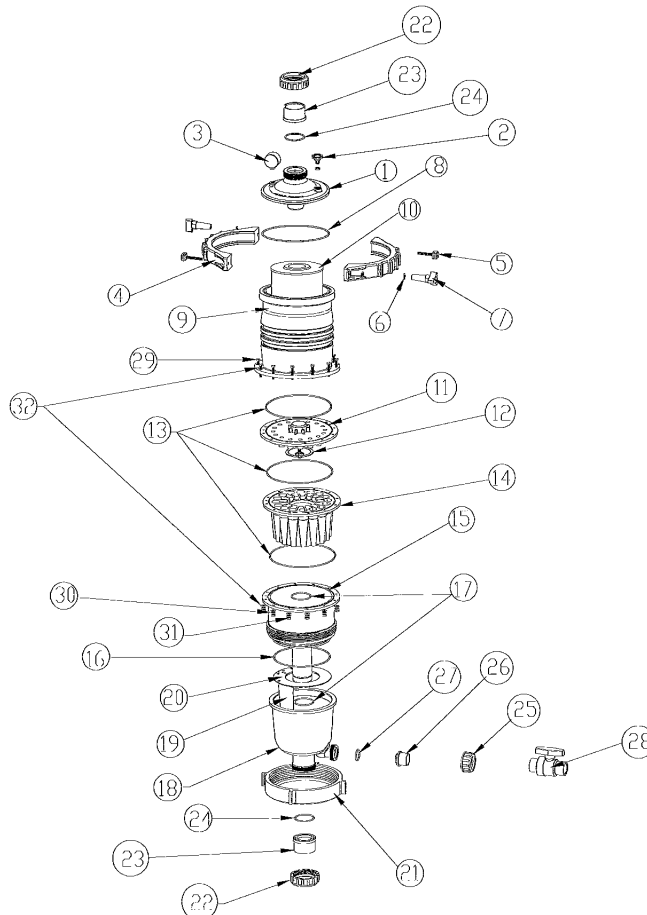


MultiCyclone 16 Plus / Ultra Cartridge Filter

Product Codes: 200381, 200383

Part Number	Product Description	Diagram No.	LIST PRICE
613150	Multicyclone Collector 50mm Clamp Type	1	71.46 €
620221	Air Relief Tap	2	6.56 €
W02703	Pressure Gauge Dry 400	3	53.67 €
6220202	Clamp Band (Qty req. 2)	4	POA
622203	Screw Overmolded M8 x60 S/S A2 Hex Bolt (qty req. 2)	5	52.21 €
W22280	Washer Flat M8 Brass (Qty req. 2)	6	9.00 €
W02195TLJ	DE Knob w B/106 head (Qty req. 2)	7	9.10 €
W12612	O' Ring 4 x 200	8	6.57 €
61311	M/Cyclone Cartridge Housing MC16 Plus	9	263.56 €
61326	M/Cyclone Cartridge Housing MC16 Ultra	9	263.58 €
62451	M/Cyclone Cartridge Element 40 sq ft MC16 Plus	10	130.98 €
62453	M/Cyclone ultra Cartridge Element 75 sq ft MC16 Ultra	10	165.14 €
W22281	MC Manifold plate	11	15.26 €
W12972	MC16 flow director	12	41.28 €
61308	Body Ring 'O' Ring BS268 (Qty req. 3)	13	9.43 €
61303	M/Cyclone Separator	14	38.68 €
61300	M/Cyclone Se MC16 Body (grey)	15	155.06 €
61307	O ring BS263	16	7.35 €
W02469	O ring main drain AS228	17	4.27 €
61302	M/cyclone Sediment Bowl	18	247.65 €
61305	MC partition	19	12.52 €
61306	MC baffle ring	20	18.15 €
62024BLK	Lockring - black	21	35.44 €
6340245	2" Half union connection (imperial)	22,23,24	11.07 €
63402400	63mm Half union connection (metric)	22,23,24	11.07 €
1222252	1"/25mm Half union connection	25,26,27	9.45 €
140252	Compact Ball Valve	28	26.24 €
W12984	Bolt M6 x 45mm Hex Head SS304 (Qty req. 12)	29	3.91 €
W12783	Washer M6 Spring SS304 (Qty req. 12)	30	0.61 €
6340062	Nut Hex M6 (Qty req. 12)	31	0.57 €
W12782	washer M6 Falt SS304 (Qty req. 24)	32	0.61 €
121325	25mm 90 Deg Elbow	N/S	4.06 €

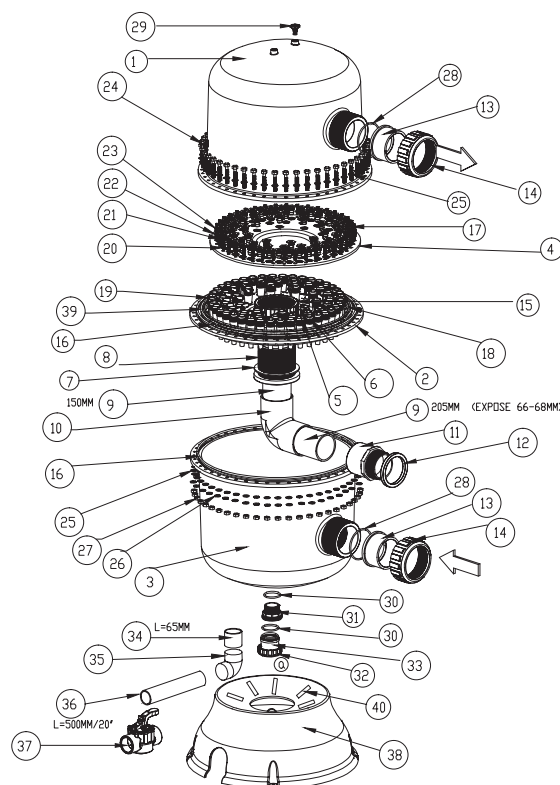
For pressure gauges - see page 14 of main price list



Multicyclone 70 XL Commercial

Product Code: 200393

Part	Product Description	Diagram No.	LIST PRICE
W22729	Top Shell Multicyclone 4" Grey	1	500.08 €
W22732	Cyclone Plate Multicyclone 4" Grey	2	316.29 €
W22730	Bottom Shell Multicyclone 4" Grey	3	503.22 €
W22503	Manifold Plate Multicyclone 4"	4	140.32 €
W22505	Cone Cyclone Standard LH	5	1.64 €
W22504	Cone Cyclone Standard RH	6	1.64 €
W02539	Gasket 100mm Bulkhead	7	6.01 €
W22648	Bulkhead Body 100mm 4" L= 93mm	8	34.40 €
W02138	Pipe 100mm x 6M Grey	9	5.62 €
W34026	Elbow 100mm Black BS	10	23.91 €
W22543	Male Valve Socket 4" (JIS)	11	30.99 €
W22544	Rubber Washer 4" Cyclone	12	4.41 €
12221011	Barrel Union Plain End 4" imperial Black	13	37.56 €
12221008	Barrel union plain end 110mm - metric	13	62.62 €
12221006	Locking Nut 100mm 4" Multicyclone	14	17.81 €
12221007	Bulkhead Lock Nut 100mm Black	15	59.42 €
W44059	O-Ring Jointed Dia 9 4" Multicyclone L= 2020mm	16	50.63 €
W22508	Spigot Multicyclone 4"	17	0.45 €
W22629	O-Ring BS392	18	33.08 €
W22627	O-Ring 27* 2.0	19	0.29 €
W22628	O-Ring BS009	20	0.21 €
W22626	O-Ring 20* 2.0	21	0.38 €
W12782	Washer M6 Flat SS304	22	0.61 €
W22654	Hexagon Bolt M6 35 SS304	23	0.33 €
W22750	Screw Hex M10 x 110mm SS304	24	4.00 €
W22651	Washer M10 COD=30 Thickness 2.5 SS304	25	0.99 €
W22414	Spring Washer M10 SS304	26	0.24 €
W32488	Nut Hex Long M10 x 45mm Brass Ni/Plated	27	9.24 €
W02553	O-Ring 110mm B/U Nitrile	28	27.60 €
620221	Air Relief Valve New Style Blk	29	6.56 €
W02280	O-Ring 63mm B/U Nitrile	30	3.87 €
W02154BLK	B/U Threaded End Thrd/Thrd 63mm Black	31	4.19 €
W02647BLK	T/L Lock Nut 63mm New Black	32	4.30 €
W02081BLK	B/U P/End Slip / Slip 63mm Black	33	3.03 €
W02118	Pipe 63mm x 6M White	34	5.62 €
W22660	Elbow 90Deg 63mm Clear PVC	35	62.80 €
W22624	Pipe Clear PVC 63mm 3 Meter (SCH40)	36	0.95 €
14856	Waterco 63/75mm 2 Way Valve	37	58.05 €
W22509	Base Multicyclone 4"	38	351.95 €
W44058	O-Ring Jointed 4" Multicyclone L=1900mm	39	10.11 €
W01285	Butyl Tape 6 x 17mm x 10m	40	8.10 €

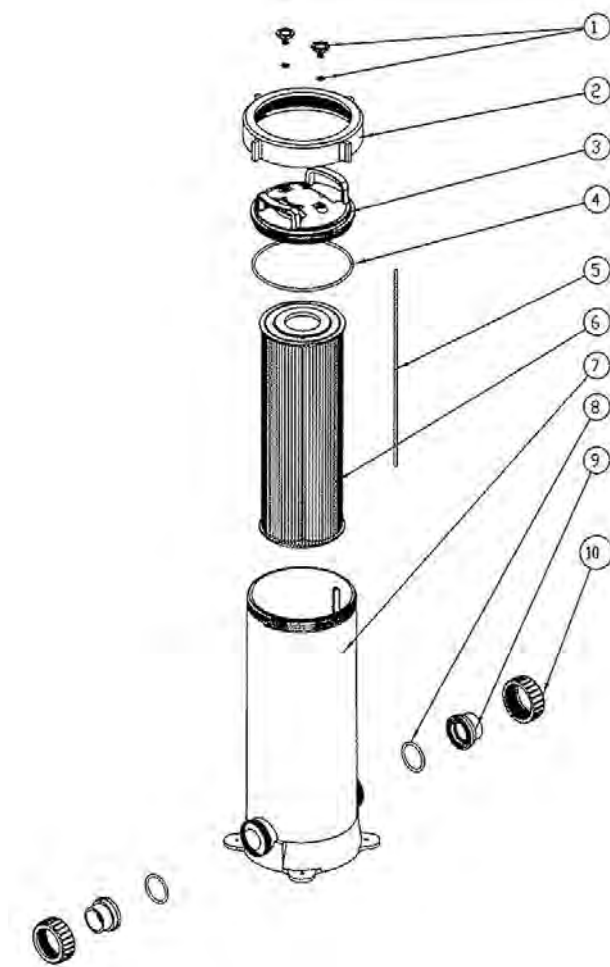


Trimline Cartridge Filters

Product Codes: 21450EU, 21475EU, 214100EU

Part Number	Product Description	Diagram No.	LIST PRICE
620221	Air release valve MK2	1	6.56 €
62024BLK	Lock ring Mk3 (5 threads)	2	35.44 €
62025 - 0501	Lid c/w o ring MK3 - Pewter colour 6 Bar	3	72.11 €
62026	Lid o ring MK3	4	16.94 €
W02547	Air bleed C25	5	3.04 €
W02548	Air bleed CC50	5	3.50 €
W02549 (17100)	Air Bleed CC50/CC75	5	4.25 €
W02550	Air bleed C75/CC100	5	5.17 €
62048	Cartridge CC50	6	155.73 €
62049	Cartridge CC75	6	203.13 €
62050	Cartridge CC100	6	264.06 €
62021	Lid O Ring MK2	3	16.94 €
W02541PEW	Body C25	7	179.41 €
W02542PEW	Body CC50	7	206.76 €
W02543PEW	Body C50/CC75	7	241.43 €
W02544PEW	Body C75/CC100	7	388.35 €
122256BLK	2" x 50mm Half union	8+9+10	10.18 €
122257BLK	1 1/2" / 2" Half union	8+9+10	12.10 €
W02280	Union o ring 1 1/2" / 2" MK2	8	3.87 €
6340246BLK	2" x 50mm Tail end	9	3.56 €
122257BLK	1 1/2" x 2" tail end	9	12.10 €
W02647BLK	Lock nut	10	4.30 €

For pressure gauges - see page 14 of main price list

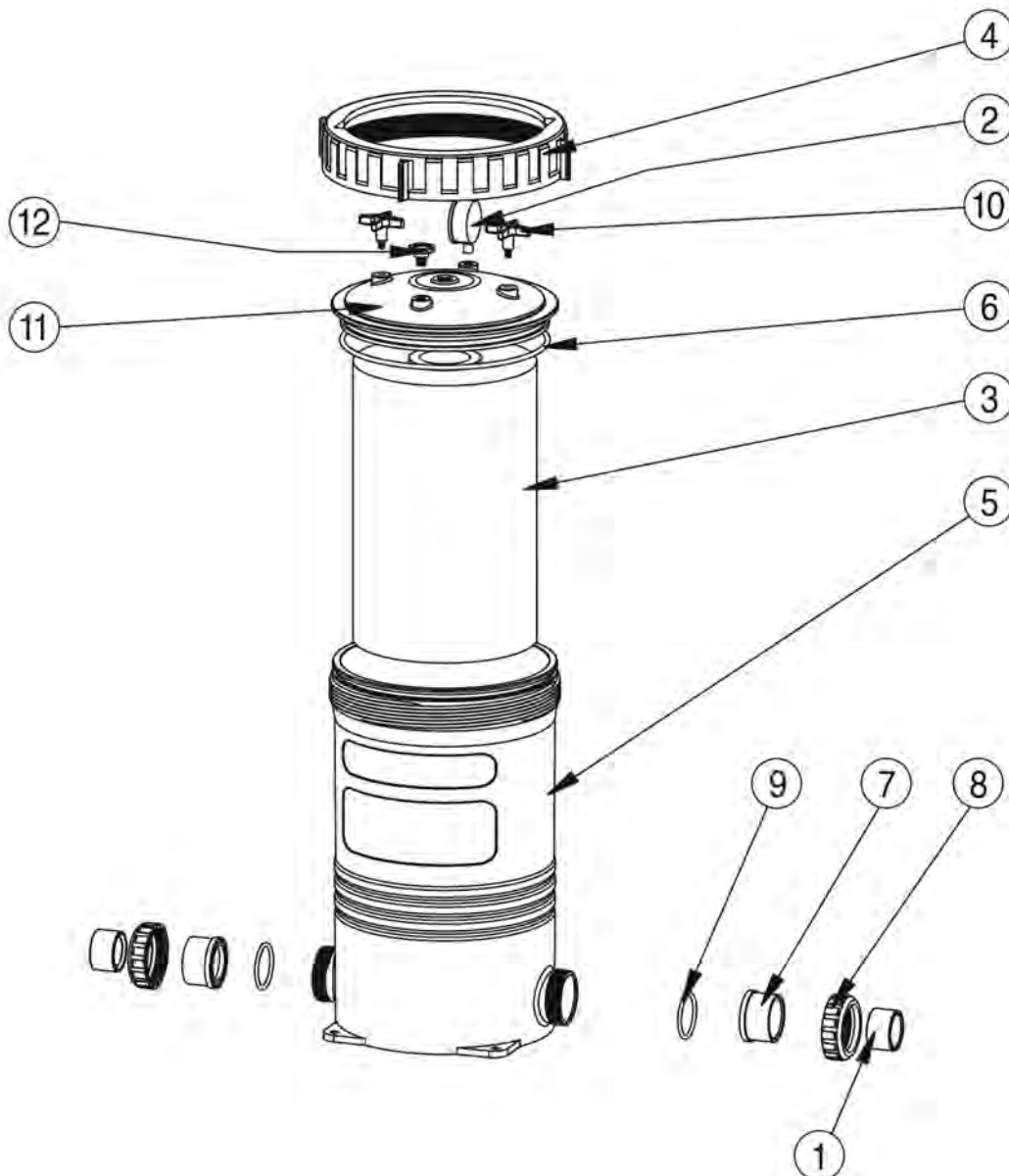


Opal Cartridge Filters

Product Codes: 2171350EUM, 2171800EUM

Part Number	Product Description	Diagram No.	LIST PRICE
12555BLK	Reducing bush 50 x 40mm Black	1	4.77 €
701033	Filter cartridge 120 sqft	3	330.60 €
701039	Filter cartridge 135 sqft	3	277.80 €
701034	Filter cartridge 150 sqft	3	330.60 €
701038	Filter cartridge 180 sqft	3	330.59 €
AXFI010	Opal tank lock ring	4	169.19 €
AXFI0120	Opal pewter tank only 3.5 bar	5	341.86 €
620271	ORING OPAL LID (P280 279.5 X 8.4)	6	18.98 €
AXFI014	Opal black union tail	7	5.15 €
AXFI016	Opal black lock ring	8	10.18 €
AXFI018	Opal union o'ring	9	3.65 €
W02629	Opal handle (2 per filter)	10	9.88 €
AXFI0083	Opal lid only (5mm smaller in diameter than AXFI081)	11	89.85 €
620221	Air relief valve	12	6.56 €

For pressure gauges - see page 14 of main price list

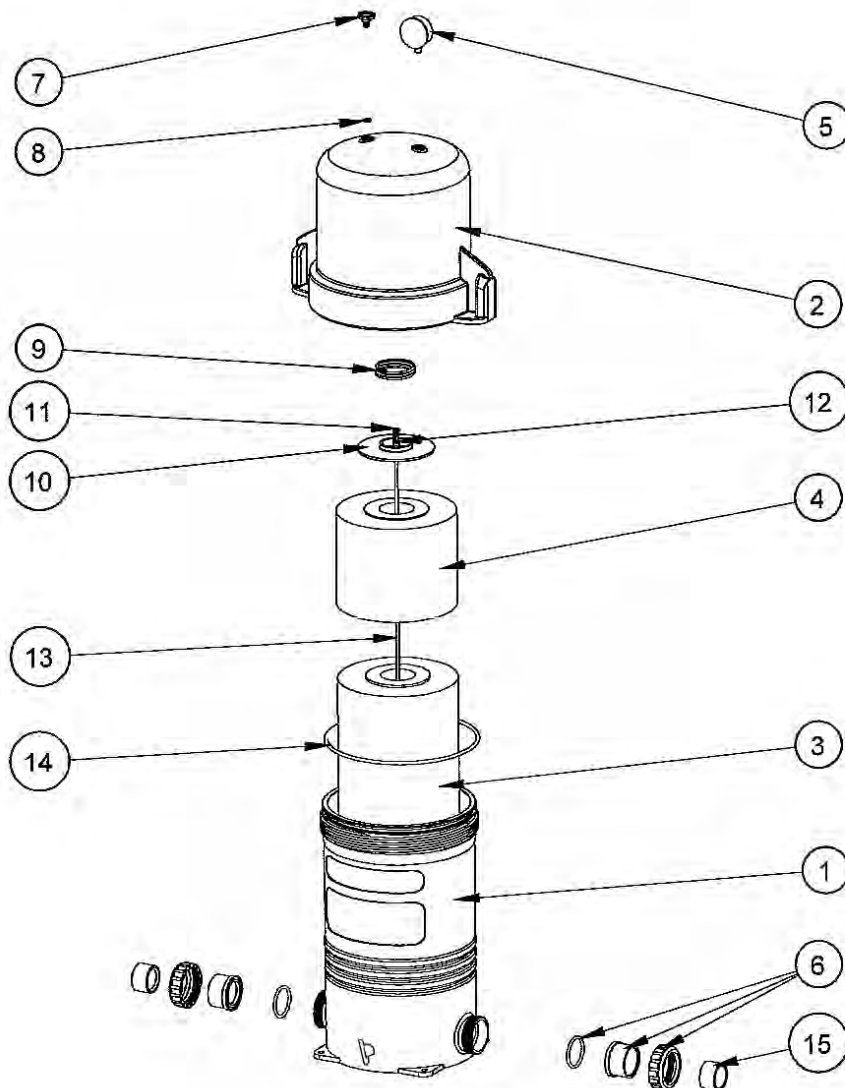


OPAL XL

Product Codes: 217225EUM, 217270EUM

Part Number	Product Description	Diagram No.	LIST PRICE
AXFI0121	Opal Tank PP Pewter	1	POA
AXFI0087	Opal Top Housing 270	2	257.82 €
AXFI0085	Opal Top Housing 225	2	203.02 €
701038	Cartridge Element 180 sq.ft.	3	330.59 €
701041	Cartridge Element 90 sq.ft.	4	211.99 €
701040	Cartridge Element 225sq.ft.	N/S	444.05 €
AXFI014	Opal Union Tail Black 2" imperial	6	5.15 €
AXFI015	Opal union tail black 63mm metric	6	5.15 €
AXFI016	Opal Cartridge Union Lock Ring Black	6	10.18 €
AXFI018	'O' Ring Union Opal Cartridge	6	3.65 €
620221	Air Release Valve (with o-ring)	7+8	6.56 €
AXFI0089	Spring	9	28.22 €
8223502	Top Adaptor	10	12.51 €
W02289	Air relief Screen	11	6.94 €
85251	Gulfstream Plug	12	1.23 €
W22205	Air bleed for 225sq. ft	13	1.10 €
W22206	Air bleed opal 760 (270sq.ft.)	13	1.47 €
620272	'O' Ring BS 454	14	33.63 €
12555BLK	Reducing Bush 63mm/50mm	15	4.77 €
61216	Opal element joiner (for 270sq.ft. only)	N/S	10.98 €

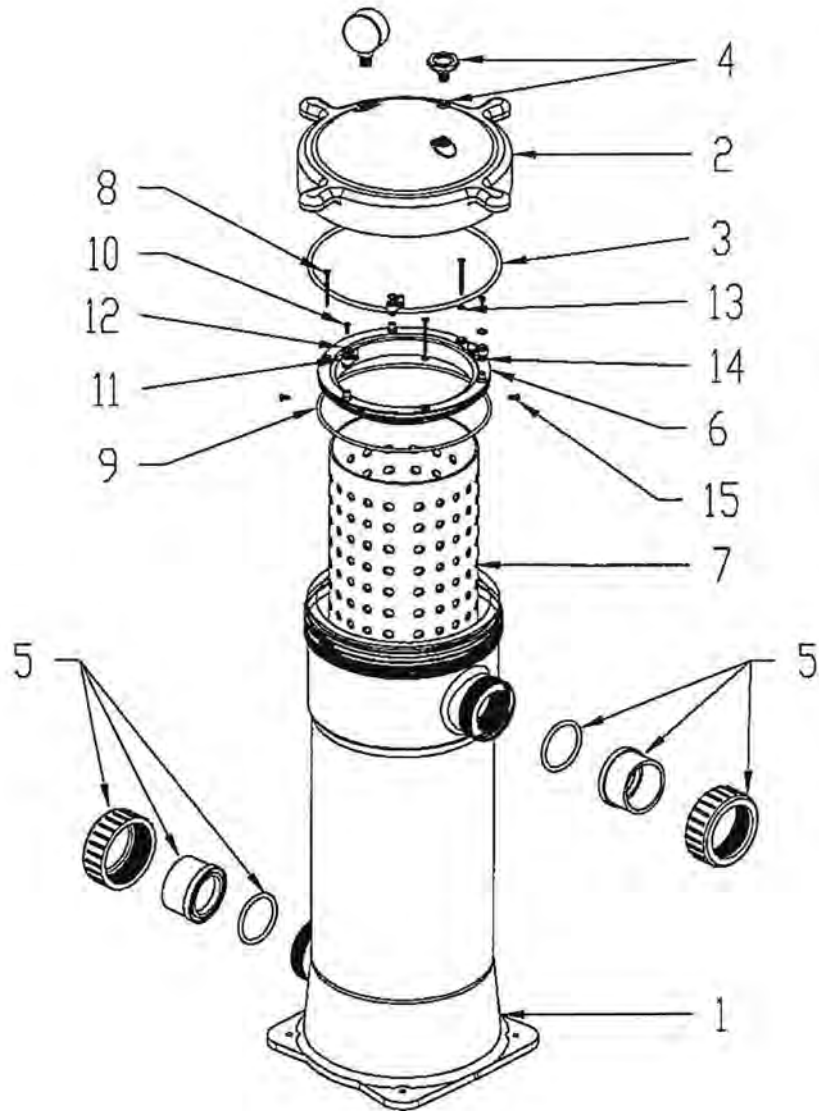
For pressure gauges - see page 14 of main price list



Leaf Trapper

Product Code: 3761053

Part Number	Product Description	Diagram No.	LIST PRICE
62044131	T/Line Bag Housing C50 W/Ext.Thread Port Only	1	POA
62044170	T/Line Bag Housing Lid Clear	2	POA
620262	'O' Ring G220	3	15.38 €
620221	Air Release Valve - Black Clear	4	6.56 €
634024B	Half Union with 'O' Ring - 50mm (2 required)	5	POA
620342	'O' Ring Half Union BS332 Viton	5	POA
620245	'O' Ring	5	POA
3651947	Case Ring	6	131.44 €
3651946	Support Cage Filter Bag	7	117.36 €
620292	Screw 10G X 2" CSK SS316 for TBF Cage Ring	8	1.54 €
620293	'O' Ring 205 X 4 for TBF Cage Ring	9	13.25 €
6340087	Screw PT#8 13MM S/S 316 For UWL	10	0.59 €
620291	Latch For TBF Cage Ring	11	POA
620294	Washer 3/16X1/2X20Flat SS316 TBF Cage Ring	12	1.72 €
82444204	'O' Ring BS 010	13	2.54 €
82444205	'O' Ring BS 011	14	0.38 €
63814277	Screw M3x6	15	POA

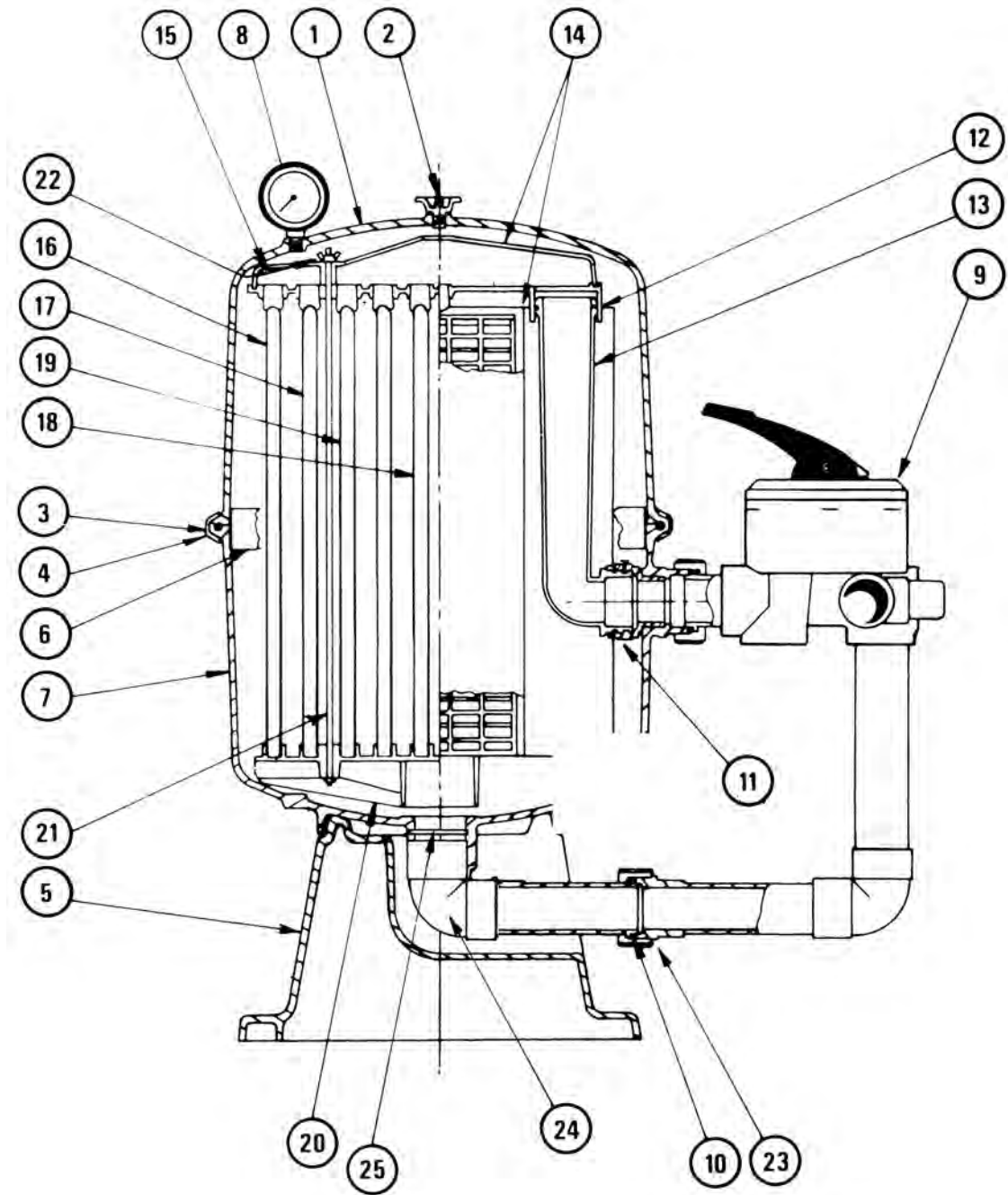


Astra Fulflo D.E. Filter

Part Number	Product Description	Diagram No.	LIST PRICE
62231PEW	Tank top low dome - P2016	1	167.43 €
62232PEW	Tank top high dome (grey) P2027,31	1	294.12 €
62233PEW	Tank top ultra high dome P2036,2048	1	327.01 €
620221	Air release Valve c/w O Ring	2	6.56 €
62202	P2145 clamp ring assy (c/w knob, bolt, lug)	3	267.18 €
622203	P2153 Nally tank clamp knob, bolt, lug	3	52.21 €
62250	P9109 Tank body O Ring	4	41.59 €
W01057	P2517 Inner band For P2027 / P2036 / P2048	6	77.47 €
8223152	Tank Body Bottom (P2027, P2036)	7	287.67 €
822343	Tank body ultra bottom (P2048)	7	POA
W02213	Union O ring (post 3/98)	10	5.03 €
W02280	Union O ring 50mm P2027 - 48 (BS332)	10	3.87 €
62248	Union adapter assy	11	36.14 €
822346	90 Deg elbow union - P2016,27,31	13	33.85 €
62206	P2124 90° elbow union assy P2036,48	13	43.80 €
62208	P2176 Complete septum - 2016	14	671.78 €
62209	P2146 Complete septum - P2027,31	14	671.78 €
62210	P2157 Complete septum - P2036	14	757.91 €
62211	P2206 Complete septum - P2048	14	941.15 €
62207	P2126 Manifold assy	15	78.33 €
62212	P2177 - 150 filter grid - P2016	16	69.31 €
62213	P2179 - 250 filter grid - P2016	17	73.55 €
62214	P2181 - 250 offset filter grid - P2016	18	73.55 €
62215	P2183 - 310 Filter grid - P2016	19	80.91 €
62216	P2147 - 150 filter grid - P2027,31 - 450 long 2 per filter	16	95.29 €
62217	P2148 - 250 filter grid - P2027,31 - 450 Long 2 per filter	17	114.49 €
62218	P2149 - 250 offset filter grid - P2027, 31 - 450 Long 2 per filter	18	114.49 €
62219	P2150 - 310 filter grid - P2027,31 - 450 long 4 per filter	19	127.25 €
62220	P2158 - 150 filter grid - P2036 - 630 long 2 per filter	16	96.92 €
62221	P2160 - 250 filter grid - P2036 - 630 long 2 per filter	17	116.08 €
62222	P2162 - 250 offset filter grid - P2036 - 630 long 2 per filter	18	116.08 €
62223	P2164 - 310 filter grid - P2036 - 630 long 4 per filter	19	132.80 €
62224	P2210 - 150 filter grid - P2048 - 810 long 2 per filter	16	150.70 €
62225	P2214 - 250 filter grid - P2048 - 810 long 2 per filter	17	203.47 €
62226	P2211 - 250 offset filter grid - P2048 - 810 long 2 per filter	18	203.47 €
62227	P2213 - 310 filter grid - P2048 - 810 long 4 per filter	19	213.63 €
W02198	P2337 Clamp Plate	20	13.22 €
62237	P2547 Tie rod - P2016	21	30.63 €
62238	P2521 Tie rod - P2027,31	21	37.02 €
62239	P2538 Tie rod - P2036	21	40.14 €
62240	P2545 Tie rod - P2048	21	44.53 €
122243B	Half Barrel Union 1/2" (post 03/98)	23	7.31 €
122245B	Half Barrel Union 50mm Metric (Pre 03/98)	23	7.52 €
634024BLK	Half Barrel Union 50mm 2027- 48 (Post 03/98)	23	11.28 €
634024EURO	Half Barrel Union 63mm Metric	23	11.28 €
823318	90 degree elbow threaded 1/2" (Pre 03/98)	24	12.19 €
822345BLK	90 degree elbow threaded 2" (Post 03/98)	24	16.81 €
823319	90 degree elbow O Ring (Pre 03/98)	25	4.56 €
622290	P2014/16 KIT top and bottom & clamp & inner band & knob	N/S	547.47 €
622291	P2027/31 KIT top & bottom & clamp & inner band & knob	N/S	585.92 €
622292	P2036 KIT top & bottom & clamp & inner band & knob	N/S	656.55 €
622301	P2048 KIT top & bottom & clamp & inner band & knob	N/S	727.15 €
2390495EU	P2027/P2031 M.P.V.-1/2" c/w plumbing kit	9	176.05 €
23905832EU	P2036 M.P.V.- 2" c/w plumbing kit	9	257.31 €

For pressure gauges - see page 14 of main price list

Astra Fulflo D.E. Filter



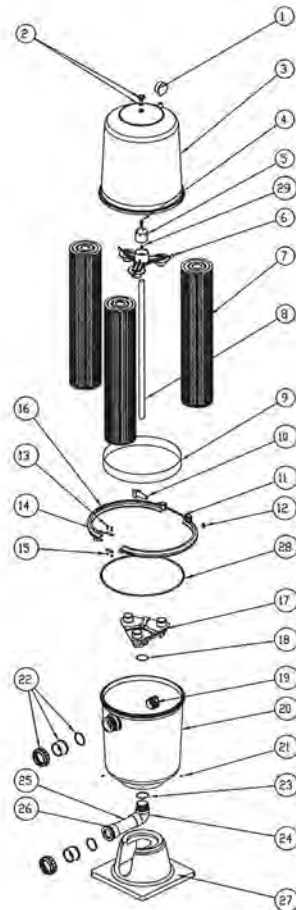
TANK PORT SIZE	MODEL	CODE	CONNECTION	
		MPV C/W Plumbing Kit	TANK	MPV
1.5" (50mm)	P2027	2390495 / 2390495EU	Top - Male	Top - Female
2" (63mm)	P2036	23905832 / 2390583EU		
2" (63mm)	P2048	23905932 / 2390593EU	Bottom - Male	Bottom - Female

Fulflo Tri-Cartridge Filter

Product Codes: 21655300EU, 2165400EU, 2165500EU

Part Number	Product Description	Diagram No.	LIST PRICE
620221	Air Release Valve	2	6.56 €
62233PEW	Tank Top Ultra High Dome	3	327.01 €
W02289	Air Relief Tube Screen	4	6.94 €
6220701	Adaptor M/Fold Tri-Cartridge	6	78.32 €
622810	Cartridge Element For TC300 (Qty 3 Needed)	7	243.12 €
622820	Cartridge Element For TC400 (Qty 3 Needed)	7	297.79 €
622830	Cartridge Element For TC500 (Qty 3 Needed)	7	321.04 €
W01057	S/S Inner Band 40	9	77.47 €
W02195TLJ	DE Knob w.0.6" head dia. brass insert	10	9.10 €
W02201	M8 x 100 S/S Stud	11	25.65 €
W02202	Brass Lug	12	3.81 €
827000	Screw 1/4 x 1" Hex	13	1.60 €
822528	Connecting Link	14	4.41 €
829227	Nut 1/4" Nylock	15	1.60 €
822526BLK	Clamp Band Half - 2 req. per filter	16	93.84 €
6220700	Manifold Tri Cartridge	17	37.26 €
6220702	O Ring	18	6.51 €
62268	Inlet Baffle 50mm	19	13.85 €
822343PEW	Tank Body Ultra Bottom	20	186.08 €
W02641	Screw	21	11.89 €
634024BLK	Half Union with O Ring 2" imperial	22	11.28 €
W02083BLK	Union Lock Nut -2"/63mm	22	4.09 €
W02081BLK	Union Plain End 2" imperial	22	3.03 €
6340244B	Union Plain end 63mm	23	3.03 €
W02280	O Ring 2"/63mm	22	3.87 €
W02691	O Ring	23	18.69 €
822345BLK	F/Fld Bim Elbow 63mm	24	16.81 €
W02087BLK	B/Union Threaded End	26	3.18 €
62228	PP Supportor Base	27	101.86 €
62250	Tank Body O Ring	28	41.59 €
85251	Gulfstream Plug	29	1.23 €

For pressure gauges - see page 14 of main price list



Micron / Thermoplastic / Exotuf Sand Filters - Common Parts

Part Number	Product Description	LIST PRICE
Micron / Exotuf Thermoplastic Common Parts		
W02115PP	Manifold threaded 1 1/2" / 50mm	46.61 €
W02116PP	Manifold threaded 2" / 63mm	87.51 €
W02111PP	Lateral threaded 75mm	4.13 €
W02112PP	Lateral threaded 110mm	4.79 €
W02113PP	Lateral threaded 145mm	5.05 €
W02114PP	Lateral threaded 200mm	8.19 €
W02117PP	Lateral threaded cap female	2.80 €
W02158PP	Lateral threaded plug male	4.33 €
W02026BLK	Drain plug assembly (15mm)	115.58 €
W04058BLK	Drain plug assembly (1 1/2"/50mm)	115.58 €
W02068	Valve Neck O Ring (suits 1 1/2" MPV)	12.45 €
W02571	Micron Valve Gasket (2")	66.01 €
62102-HBG	Micron S/S Dome Nut & Washer (set of 12)	62.20 €
122243B	1 1/2" Half Union (Black) c/w O Ring	7.31 €
122245B	50mm European metric Half Union (Black) c/w O Ring	7.52 €
W02213	1 1/2" Union O Ring	5.03 €
634024BLK	2" Half Union (Black) c/w O Ring	11.28 €
63402400	63mm European metric Half Union (Black) c/w O Ring	11.07 €
W02280	2" Union O Ring	3.87 €
T Filters - Clamp Band Type		
6226010	Clamp Band 6" Kit (T400, T450, T500)	38.68 €
620269	O'Ring 185 x 4mm for 6" Clamp Band	26.44 €

For multiport valves and pressure gauges - see page 12-14 of main price list

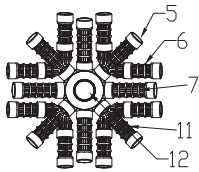
Part No:		W02115	W02116	W02111PP	W02112PP	W02113PP	W02114PP	W02117PP	6209226	6209227
Model		Manifold 50mm	Manifold 63mm	Lateral 75mm	Lateral 110mm	Lateral 145mm	Lateral 200mm	Lateral End Cap Nut	Extension Arm Assy Short	Extension Arm Assy Long
S500	Eco	1		8	4			16		4
S600	Eco	1		16	4			16		4
S602	Eco		1	16	4			16		4
S700	Eco	1		16			4	16	4	
S702	Eco		1	16			4	16	4	
S750	Eco		1	8	12	4		16	4	
S800	Eco		1	8	12	4		16	4	
S900	Eco		1	4	8	12		16	4	
E600 Plus. SM	Eco	1		12		4		16	4	
E602 Plus. SM	Eco		1	12		4		16	4	
E702 Plus. SM	Eco		1	12			4	16		4
E600 Plus. TM	Eco	1		12		4		16	4	
E602 Plus. TM	Eco		1	12		4		16	4	
E702 Plus. TM	Eco		1	12			4	16		4
T400 / E400	Std	1		8				8		
T450 / E450	Std	1			8			8		
T500 / E500	Std	1			8			8		
T600 / E600	Std	1				8		8		

Exotuf Plus Side Mount

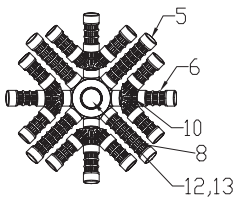
Part Number	Product Description	Diagram No.	LIST PRICE
6220208	Clamp Band 8" MKII	3i	107.35 €
622203	Screw Overmolded M8X60 S/S A2 Hex Bolt	3ii	52.21 €
W22280	Washer Flat M8 Brass (8.4 x 18 x 1.5mm)	3iii	9.00 €
W02195TLJ	DE Knob W0.6" Head Dia Brass Insert	3iv	9.10 €
62092911	Filter Clear Lid 8" Clamp Type	4	68.61 €
W02117PP	Lateral Cap Nut PP	5	2.80 €
W02111PP	Lateral Waterco 75mm PP	6	4.13 €
W02112PP	Lateral Waterco 110mm PP	7	4.79 €
W02113PP	Lateral Waterco 145mm PP	8	5.05 €
W02114PP	Lateral Waterco 200mm PP	9	8.19 €
6209226	Lateral Extension Arm Assembly Short	10	19.28 €
6209227	Lateral Extension Arm Assembly Long	11	22.49 €
W02115	Manifold Waterco 50mm for E500+ / E600+	12	POA
W02116	Manifold Waterco 63mm for E602+ / E702+	13	POA
121558	Threaded Sweep Elbow Kit 50mm / 1/2" for E500+ / E600+	14	POA
121559	Threaded Sweep Elbow Kit 63mm / 2" for E602+ / E702+	15	POA
121340	Elbow 90 Deg 50mm for E500+ / E600+ / E602+ / E702	16/17	7.63 €
W22316	O-Ring 180 x 4.5mm NBR Black Shore 70 for E500+ / E600+	19	11.82 €
W22479	O-Ring 198 x 4.5mm NBR Black Shore 70 for E602+ / E702+	20	11.82 €
W02066	Funnel For Side Mount Filters	21	15.85 €
W02289	Air Relief Tube Screen	22	6.94 €
85251	Gulfstream Plug	23	1.23 €
W02550	T/L Moulded Air Bleed 740mm C75	24	5.17 €

For multiport valves and pressure gauges - see page 12-14 of main price list

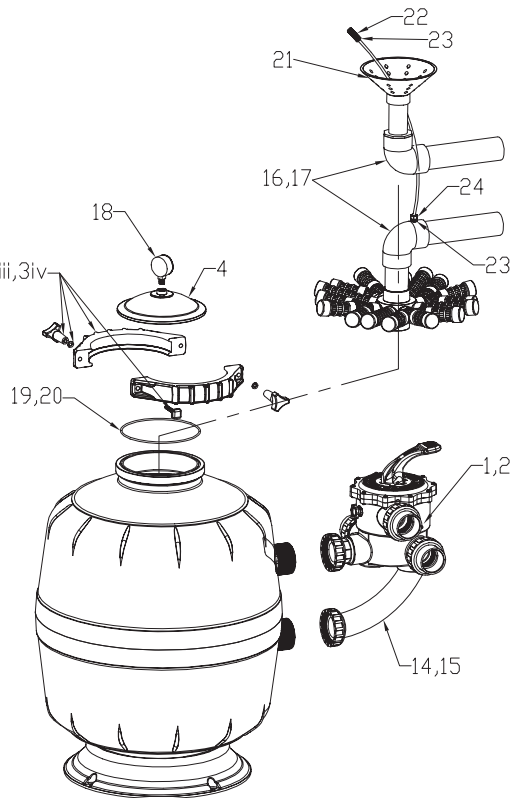
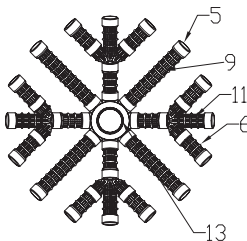
LATERAL CONFIGURATION FOR E500+



LATERAL CONFIGURATION FOR E600+ / 602+



LATERAL CONFIGURATION FOR E702+



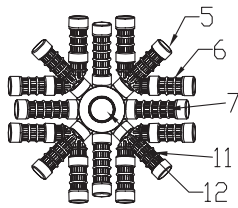
Part. No	Product Description	Qty			
		E500+	E600+	E602+	E702+
W02117PP	Lateral Cap Nut PP	16	16	16	16
W02111PP	Lateral Waterco 75 PP	8	12	12	12
W02112PP	Lateral Waterco 110mm PP	4			
W02113PP	Lateral Waterco 145mm PP		4	4	
W02114PP	Lateral Waterco 200mm PP				4
6209226	Lateral Extension Arm Assembly Short		4	4	
6209227	Lateral Extension Arm Assembly Long	4			4
W02115	Manifold Waterco 40mm	1	1		
W02116	Manifold Waterco 50mm			1	1

Exotuf Plus Top Mount

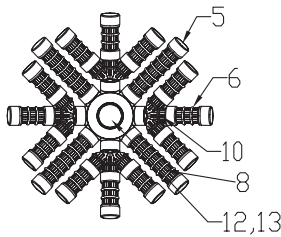
Part Number	Product Description	Diagram No.	LIST PRICE
6220208	Clamp Band 8" MKII for E602+ / E702+	3i	107.35 €
622203	Screw Overmoulded M8X60 s/s A2 Hex Bolt for E602+ / E702+	3ii	52.21 €
W22280	Washer Flat M8 Brass (8.4 x 18 x 1.5mm) for E602+ / E702+	3iii	9.00 €
W02195TLJ	DE Knob W0.6" Head Dia. Brass Insert for E602+ / E702+	3iv	9.10 €
62259	Clamp Band 6" MKII for E500+ / E600+	4i	51.44 €
621373	Bolt M6 x 55mm P/Head S/SS M/C for E500+ / E600+	4ii	5.09 €
W12783	Washes M6 Spring SS304 for E500+ / E600+	4iii	0.61 €
W22322	Square Nut M6 x 10mm x 1/2 SS304 for E500+ / E600+	4iv	9.88 €
W02117PP	Lateral Cap Nut PP	5	2.80 €
W02111PP	Lateral Waterco 75mm PP	6	4.13 €
W02112PP	Lateral Waterco 110mm PP	7	4.79 €
W02113PP	Lateral Waterco 145mm PP	8	5.05 €
W02114PP	Lateral Waterco 200mm PP	9	8.19 €
6209226	Lateral Extension Arm Assembly Short	10	19.28 €
6209227	Lateral Extension Arm Assembly Long	11	22.49 €
W02115PP	Manifold Waterco 50mm	12	POA
W02116PP	Manifold Waterco 63mm	13	POA
W22316	O-Ring 180 x 4.5mm NBR Black Shore 70	14	11.82 €
W22479	O-Ring 198 x 4.5mm NBR Black Shore 70	15	11.82 €

For multiport valves and pressure gauges - see page 12-14 of main price list

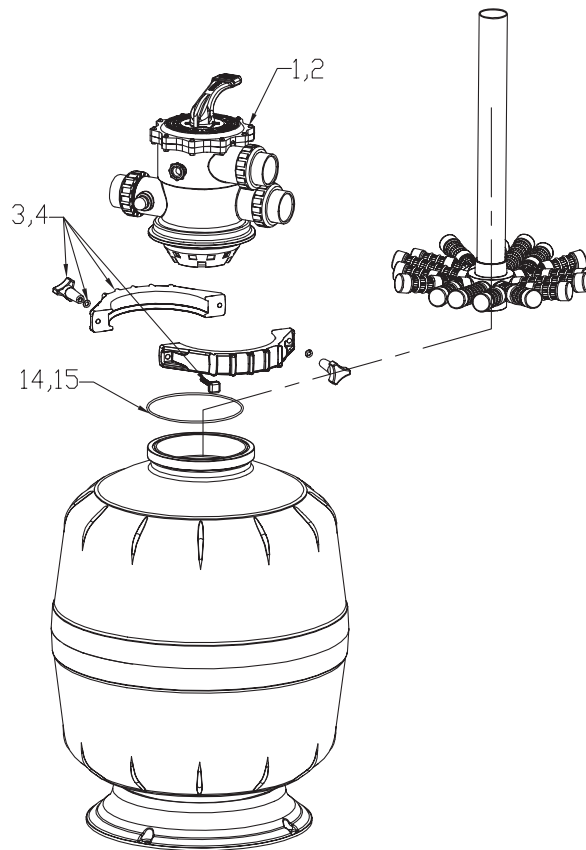
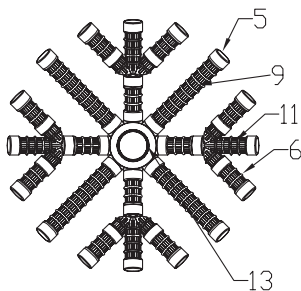
LATERAL CONFIGURATION FOR E500+



LATERAL CONFIGURATION FOR E600+ / 602+



LATERAL CONFIGURATION FOR E702+



Part. No	Product Description	Qty			
		E500+	E600+	E602+	E702+
W02117PP	Lateral Cap Nut PP	16	16	16	16
W02111PP	Lateral Waterco 75 PP	8	12	12	12
W02112PP	Lateral Waterco 110mm PP	4			
W02113PP	Lateral Waterco 145mm PP		4	4	
W02114PP	Lateral Waterco 200mm PP				4
6209226	Lateral Extension Arm Assembly Short		4	4	
6209227	Lateral Extension Arm Assembly Long	4			4
W02115PP	Manifold Waterco 40mm	1	1		
W02116PP	Manifold Waterco 50mm			1	1

Micron Side Mount Sand Filters

Part Number	Product Description	Diagram No.	LIST PRICE
620221	Air release valve	1	6.56 €
W02066	S/M Water Diffuser (Funnel)	2	15.85 €
6209291	SM 8" Lid	3	56.30 €
62024BLK	Lock Ring for 8" Lid	4	35.44 €
62026	SM Top Lid O ring 8"	5	16.94 €
121551	40mm x 80 Nipple WFE	6	POA
63032/W02209BLK	Barrel Union Nut 1 1/2"	8	2.96 €
W02213	Barrel Union O Ring 1 1/2"	n/s	5.03 €
W02083BLK	Barrel Union Nut 2"	8	4.09 €
W02280	Barrel Union O Ring 2"	n/s	3.87 €
121558	Threaded Sweep Elbow Kit 1 1/2"	6,7,8	POA
121559	Threaded Sweep Elbow Kit 2"	6,7,8	POA
W02026BLK	Drain Plug (up to & including SM900 with 2" Ports)	9	115.58 €
W02568	2" Bulk Head	n/s	37.55 €
6209430	S/M top lid clamp type	n/s	155.56 €
620269	S/M top lid o ring (clamp type)	n/s	26.44 €
620943	S/M top lid clamp & knob only	n/s	383.08 €
W02289	Air Relief Tube Screen	10	6.94 €
85251	Gulfstream Plug	11	1.23 €
W02549	Air Bleed Tube 500mm for SM500 / 600	12	4.25 €
W02550	Air Bleed Tube 740mm for SM750 / 900	12	5.17 €

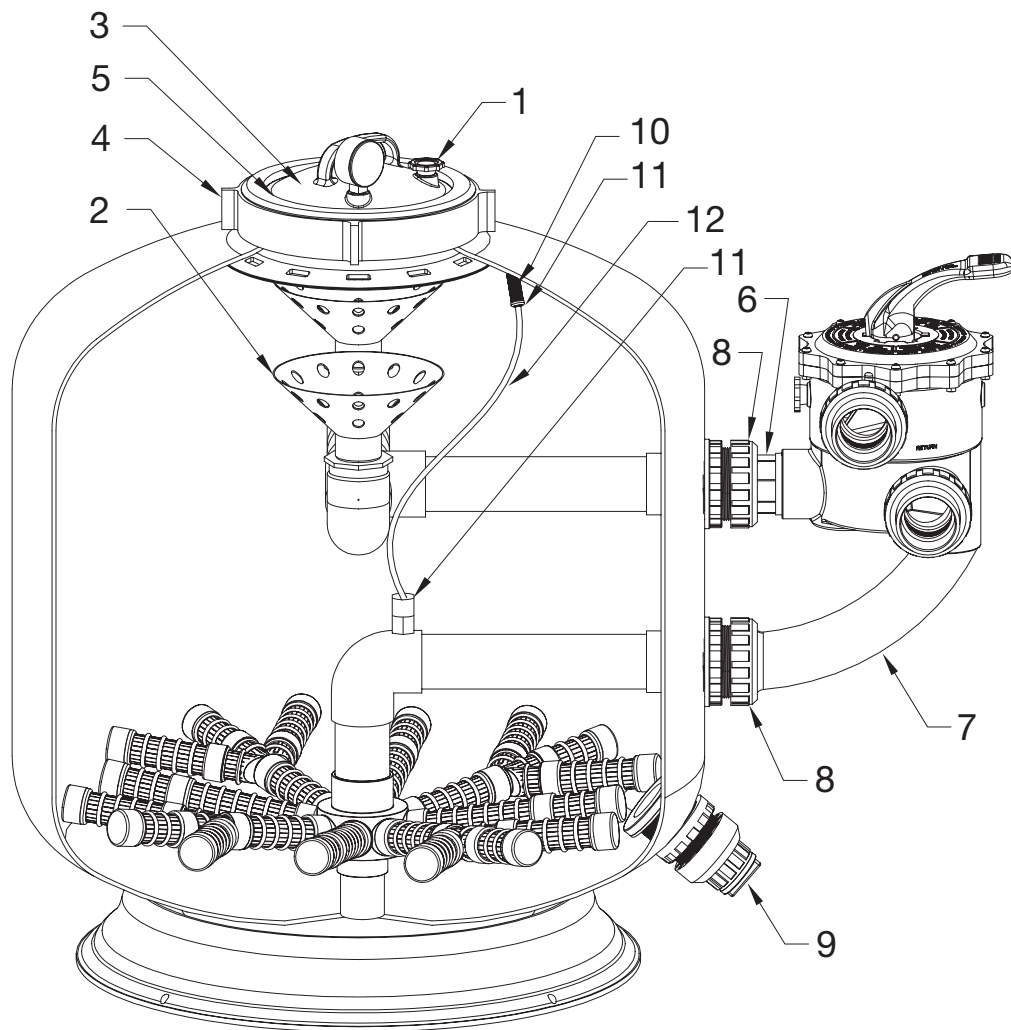
Micron/Thermoplastic Common Parts

W02115	Manifold threaded 1 1/2"		POA
W02116	Manifold threaded 2"		POA
W02111PP	Lateral threaded 75mm		4.13 €
W02112PP	Lateral threaded 110mm		4.79 €
W02113PP	Lateral threaded 145mm		5.05 €
W02114PP	Lateral threaded 200mm		8.19 €
W02117PP	Lateral threaded cap female		2.80 €
W02158PP	Lateral threaded plug male		4.33 €
W02026BLK	Drain plug assembly (15mm)		115.58 €
W04058BLK	Drain plug assembly (1 1/2"/50mm)		115.58 €
W02068	Valve Neck O Ring (suits 1 1/2" MPV)		12.45 €
W02571	Micron Valve Gasket (2")		66.01 €
62102-HBG	Micron S/S Dome Nut & Washer (set of 12)		62.20 €
122243B	1 1/2" Half Union (Black) c/w O Ring		7.31 €
122245B	50mm European metric Half Union (Black) c/w O Ring		7.52 €
W02213	1 1/2" Union O Ring		5.03 €
634024BLK	2" Half Union (Black) c/w O Ring		11.28 €
63402400	63mm European metric Half Union (Black) c/w O Ring		11.07 €
W02280	2" Union O Ring		3.87 €

For multiport valves and pressure gauges - see page 12-14 of main price list

Micron Side Mount Sand Filters

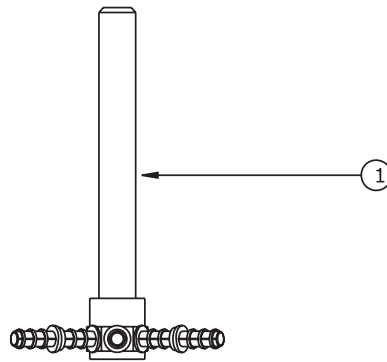
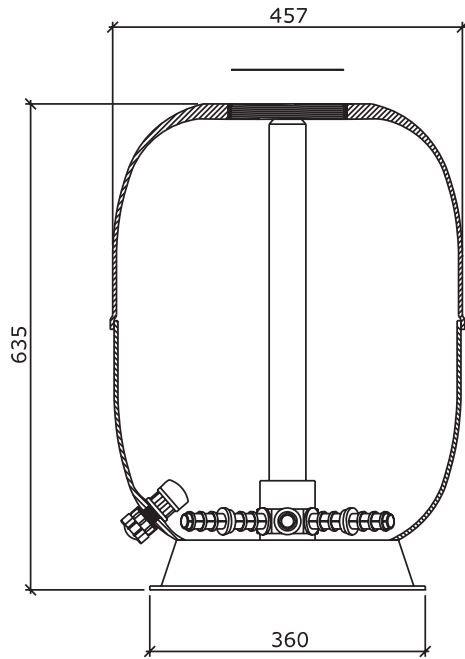
Part No:		WO2115	WO2116	WO2111PP	WO2112PP	WO2113PP	WO2114PP	WO2117PP	WO2158PP	WO2155
Model		Manifold 50mm	Manifold 63mm	Lateral 75mm	Lateral 110mm	Lateral 145mm	Lateral 200mm	Lateral End Cap Nut	Extension Arm Assy Short	Extension Arm Assy Long
SM500	Eco	1		12		4		16	4	
SM600	Eco	1		16	4			16		4
SM602	Eco		1	16	4			16		4
SM700	Eco	1		8	4		4	16		4
SM750	Eco		1	8	12	4		16	4	
SM800	Eco		1		20	4		16	4	
SM900	Eco		1	8		12	4	16	4	



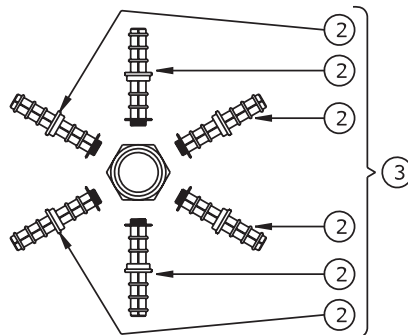
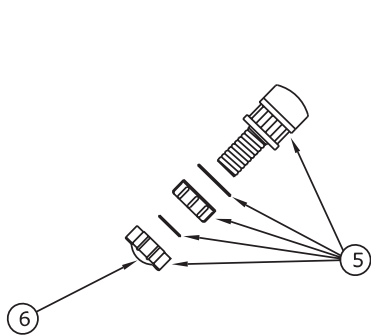
Lacron TMV-18"

Product Code: K2220180

Part Number	Product Description	Diagram No.	LIST PRICE
1366A (W12246)	18" Top Mount Internals (less candles)	1	68.15 €
62096007HBG	120mm Lateral (candle) (6)	2	14.98 €
1393 (W12247)	18" Lateral (candle) Set	3	68.15 €
1314	Top Mount Valve O Ring	4	12.45 €
620960015HBG	Drain Plug Complete	5	16.59 €
W02522C	Drain Plug Cap	6	9.63 €
621320	Centre Stem O Ring	n/s	8.57 €



SIDE VIEW

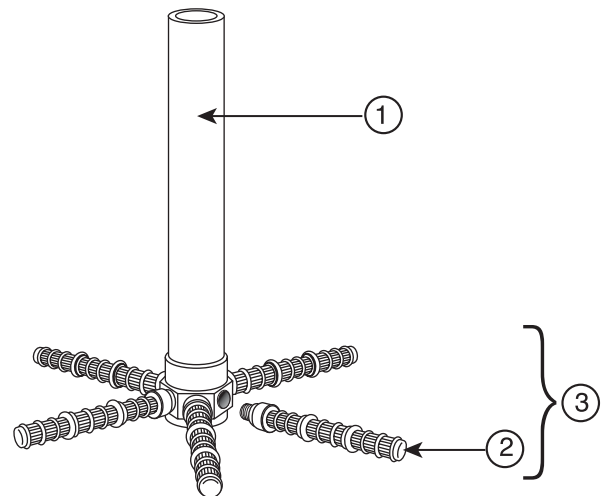
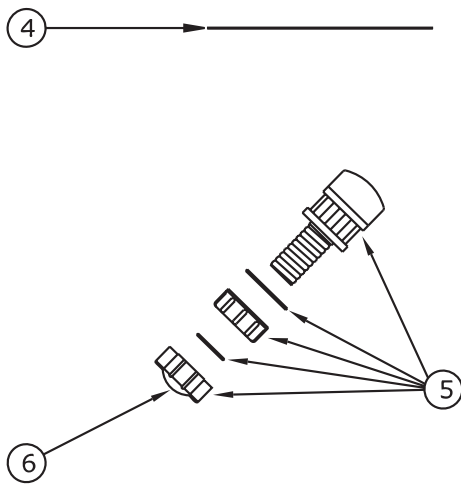
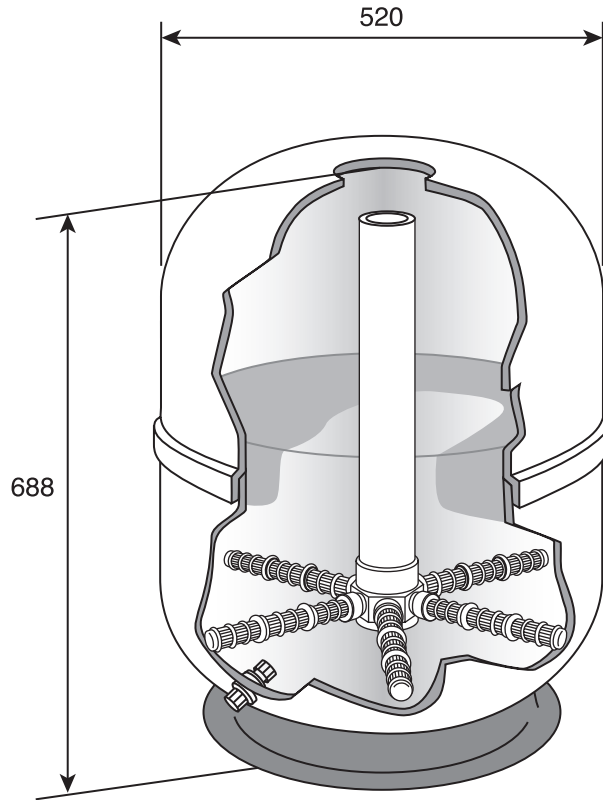


PLAN VIEW

Lacron TMV-20''

Product Code: K2220200

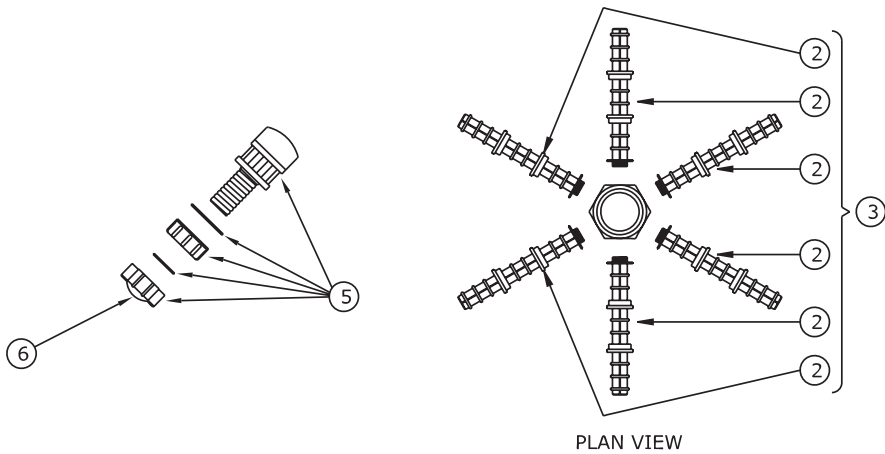
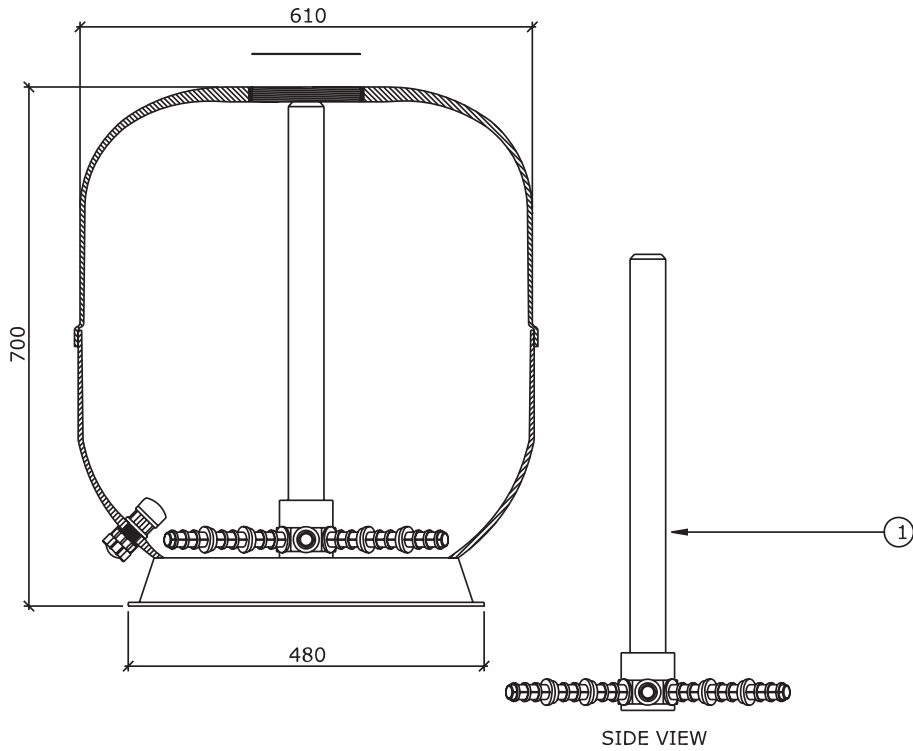
Part Number	Product Description	Diagram No.	LIST PRICE
W12274	20" Top Mount Internals (less candles)	1	71.62 €
62096008HBG	120mm + 40mm (candle) (x 6)	2	14.99 €
W12275	20" Lateral (candle) Set	3	58.47 €
1314	Top Mount Valve O Ring	4	12.45 €
620960015HBG	Drain Plug Complete	5	16.59 €
W02522C	Drain Plug Cap	6	9.63 €
621320	Centre Stem O Ring	n/s	8.57 €



Lacron TMV-24"

Product Code: K2220240

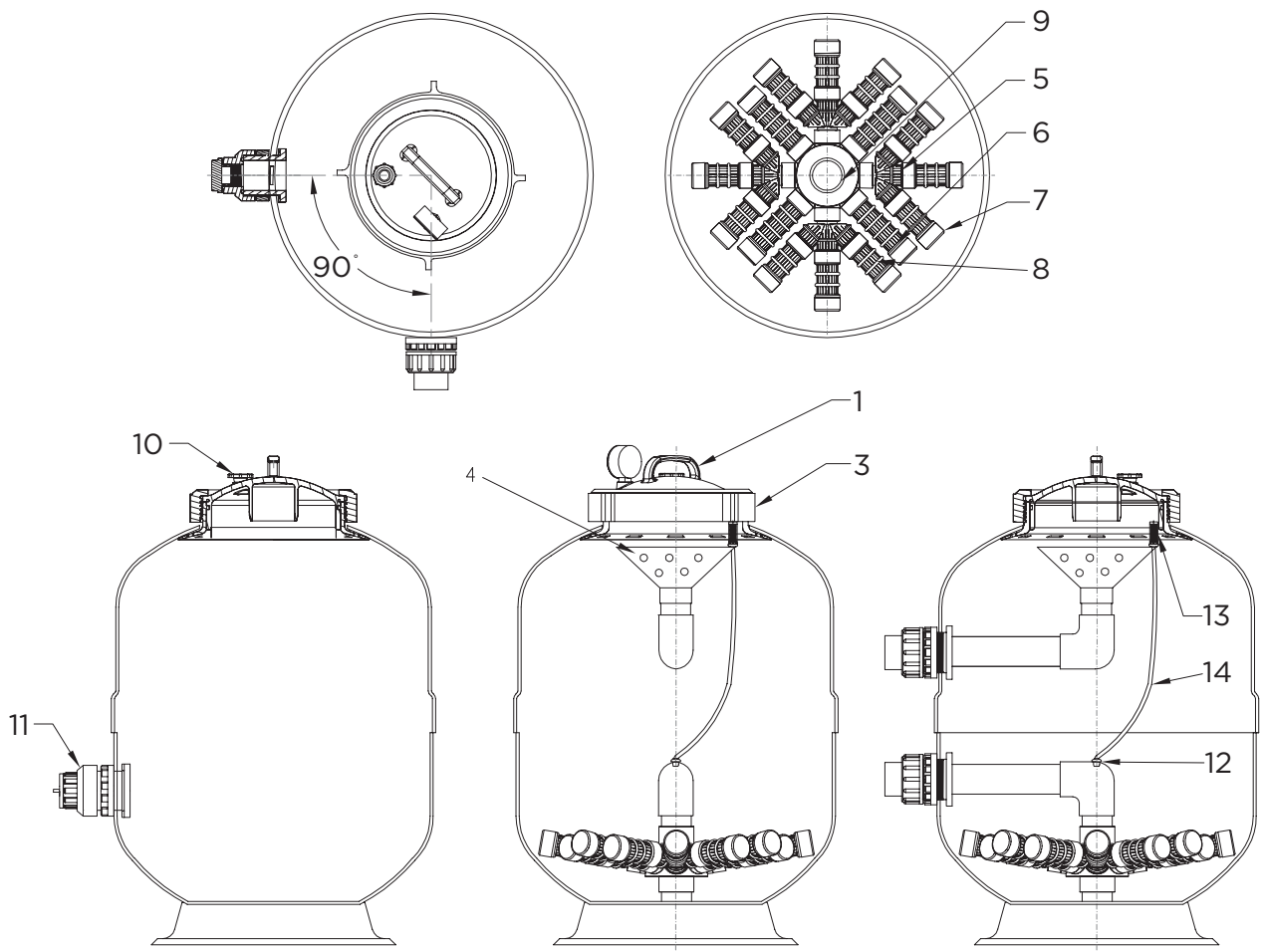
Part Number	Product Description	Diagram No.	LIST PRICE
W12243	24" Top Mount Internals (less candles)	1	71.62 €
62096008HBG	180mm Lateral (X 6)	2	14.99 €
W22218 (1394A)	24" Lateral (candle) Set	3	87.73 €
1314	Top Mount Valve O Ring	4	POA
620960015HBG	Drain Plug Complete	5	16.59 €
W02522C	Drain Plug Cap	6	9.63 €
621320	Centre Stem O Ring	n/s	8.57 €



Lacron Pure-20''

Product Code: K2220208L

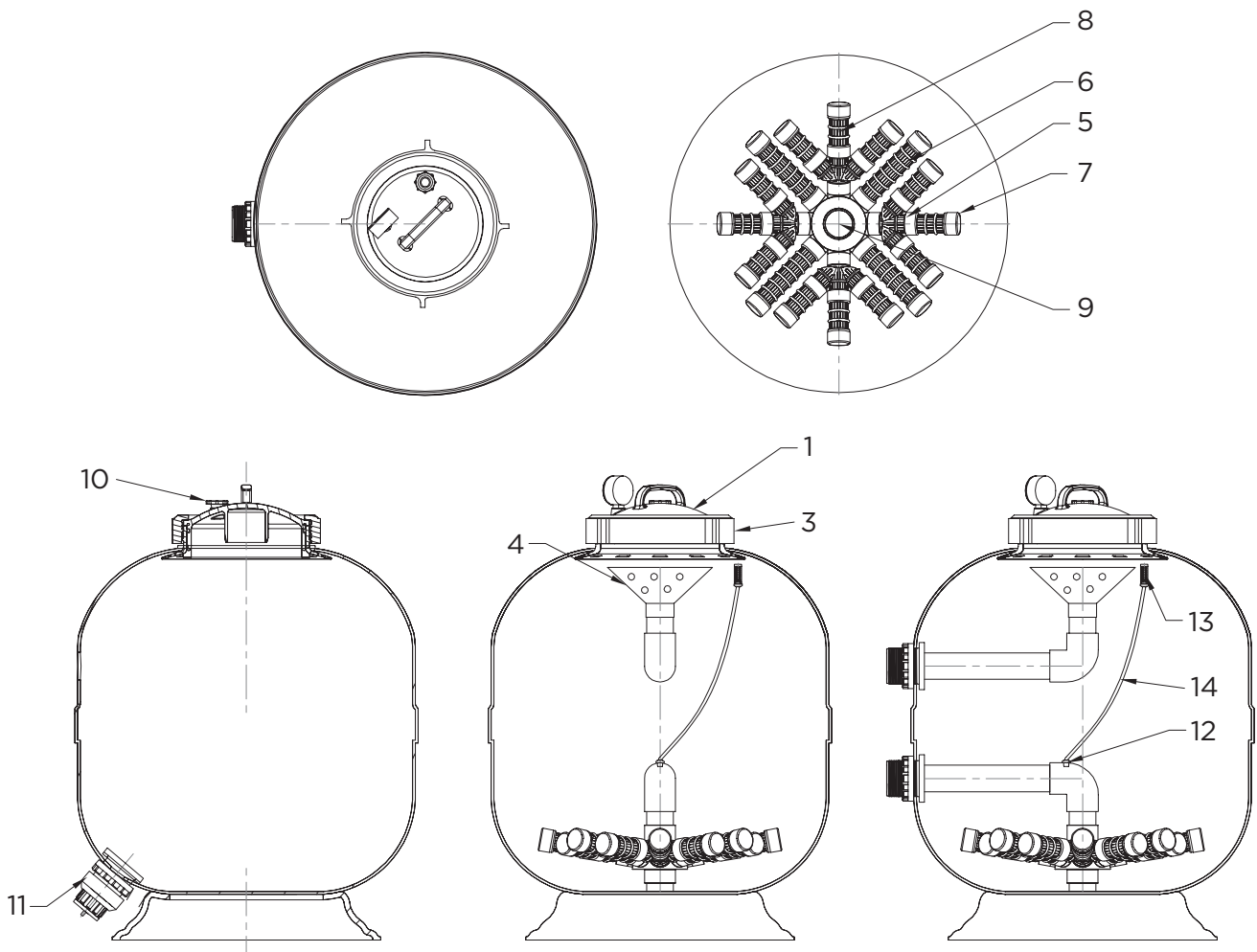
Part Number	Product Description	Diagram No.	LIST PRICE
6209291	Filter Lid 8" Clear	1	56.30 €
62026	T/L O-Ring	2	16.94 €
62024BLK	T/L Lock Ring Black	3	35.44 €
W02066	Funnel For Side Mount	4	15.85 €
6209226	Lateral Extention Arm Assembly Short (4 required per filter)	5	19.28 €
W02112PP	Lateral Waterco 110mm PP (4 required per filter)	6	4.79 €
W02117PP	Lateral End Cap Nut (16 required per filter)	7	2.80 €
W02111PP	Lateral Waterco 75mm PP (12 required per filter)	8	4.13 €
W02115	Manifold Waterco 50mm	9	POA
620221	Air Relief Valve New Style Black	10	6.56 €
W04058BLK	Drain Plug 50mm Complete	11	115.58 €
W02268	Gasket 50mm Bulkhead		11.48 €
W02271BLK	Bulkhead Lock Nut 50mm Black		6.11 €
W02272BLK	Bulkhead Threaded Body 50mm Black		4.76 €
W02158PP	Lateral End Cap Screw PP		4.33 €
W02213	O-Ring 50mm B/U EPDM		5.03 €
W02267	Drain Plug 50mm O-Ring		4.77 €
W02269BLK	Drain Plug Body 50mm Black		5.24 €
W02270BLK	Drain Plug End Cap 50mm Black		6.60 €
85251	Gulfstream Plug	12	1.23 €
W02289	Air Relief Tube Screen	13	6.94 €
W02549	T/L Moulded Air Bleed 500mm C50	14	4.25 €



Lacron Pure-24"

Product Code: K2220248L

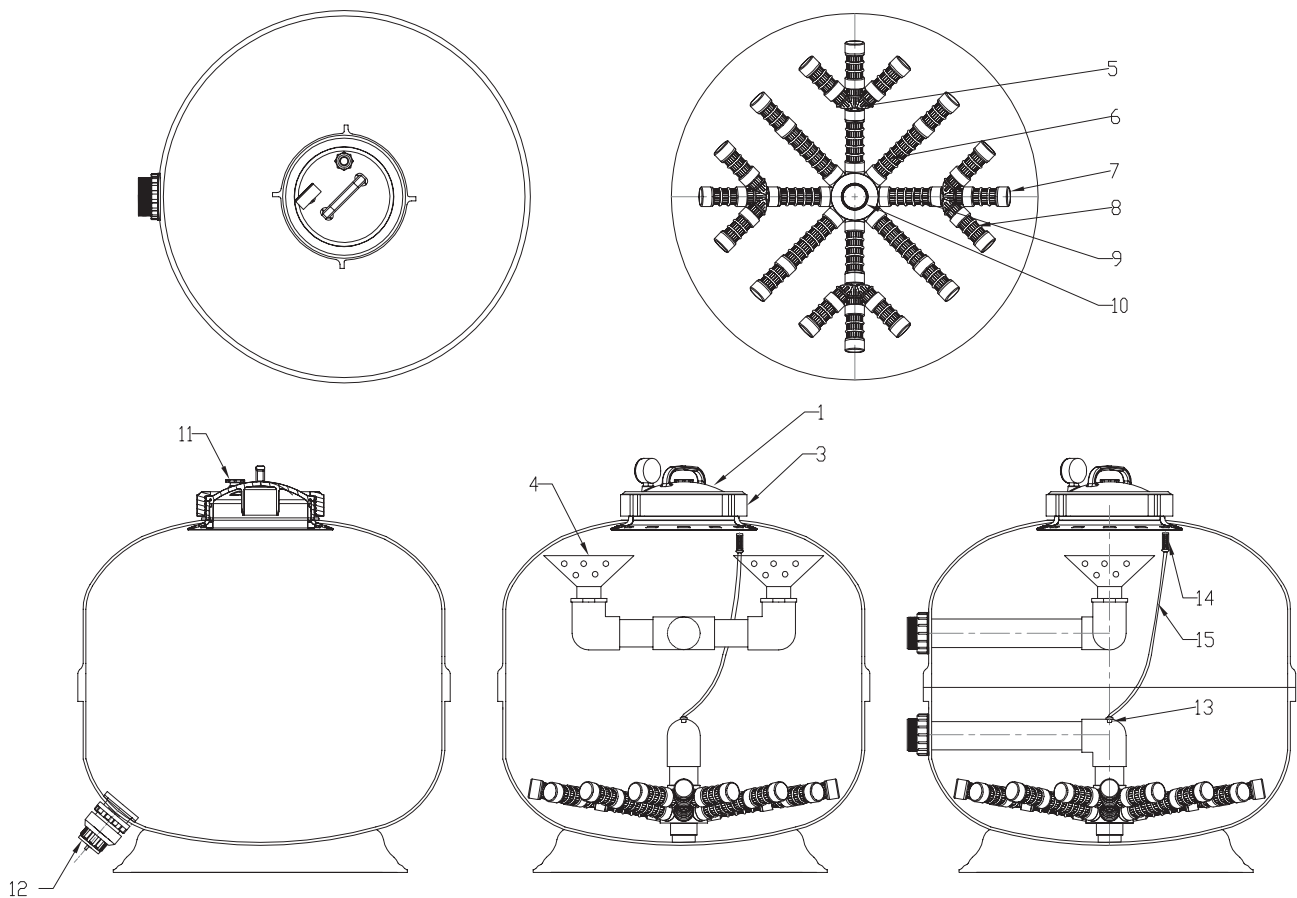
Part Number	Product Description	Diagram No.	LIST PRICE
6209291	Filter Lid 8" Clear	1	56.30 €
62026	T/L O-Ring	2	16.94 €
62024BLK	T/L Lock Ring Black	3	35.44 €
W02066	Funnel For Side Mount	4	15.85 €
6209226	Lateral Extention Arm Assembly Short (4 required per filter)	5	19.28 €
W02113PP	Lateral Waterco 145mm PP (4 required per filter)	6	5.05 €
W02117PP	Lateral End Cap Nut (16 required per filter)	7	2.80 €
W02111PP	Lateral Waterco 75mm PP (12 required per filter)	8	4.13 €
W02115	Manifold Waterco 50mm	9	POA
620221	Air Relief Valve New Style Black	10	6.56 €
W04058BLK	Drain Plug 50mm Complete	11	115.58 €
W02268	Gasket 50mm Bulkhead		11.48 €
W02271BLK	Bulkhead Lock Nut 50mm Black		6.11 €
W02272BLK	Bulkhead Threaded Body 50mm Black		4.76 €
W02158PP	Lateral End Cap Screw PP		4.33 €
W02213	O-Ring 50mm B/U EPDM		5.03 €
W02267	Drain Plug 50mm O-Ring		4.77 €
W02269BLK	Drain Plug Body 50mm Black		5.24 €
W02270BLK	Drain Plug End Cap 50mm Black		6.60 €
85251	Gulfstream Plug	12	1.23 €
W02289	Air Relief Tube Screen	13	6.94 €
W02549	T/L Moulded Air Bleed 500mm C50	14	4.25 €



Lacron Pure-30''

Product Code: K2220308L

Part Number	Product Description	Diagram No.	LIST PRICE
6209291	Filter Lid 8" Clear	1	56.30 €
62026	T/L O-Ring	2	16.94 €
62024BLK	T/L Lock Ring Black	3	35.44 €
W02066	Funnel For Side Mount	4	15.85 €
6209226	Lateral Extention Arm Assembly Short (4 required per filter)	5	19.28 €
W02113PP	Lateral Waterco 145mm PP (4 required per filter)	6	5.05 €
W02117PP	Lateral End Cap Nut (16 required per filter)	7	2.80 €
W02111PP	Lateral Waterco 75mm PP (12 required per filter)	8	4.13 €
W02112PP	Lateral Waterco 110mm PP (4 required per filter)	9	4.79 €
W02116	Manifold Waterco 63mm	10	POA
620221	Air Relief Valve New Style Black	11	6.56 €
W04058BLK	Drain Plug 50mm Complete	12	115.58 €
W02268	Gasket 50mm Bulkhead		11.48 €
W02271BLK	Bulkhead Lock Nut 50mm Black		6.11 €
W02272BLK	Bulkhead Threaded Body 50mm Black		4.76 €
W02158PP	Lateral End Cap Screw PP		4.33 €
W02213	O-Ring 40mm B/U EPDM		5.03 €
W02267	Drain Plug 50mm O-Ring		4.77 €
W02269BLK	Drain Plug Body 50mm Black		5.24 €
W02270BLK	Drain Plug End Cap 50mm Black		6.60 €
85251	Gulfstream Plug	13	1.23 €
W02289	Air Relief Tube Screen	14	6.94 €
W02549	T/L Moulded Air Bleed 740mm C75	15	4.25 €



Lacron LSR-16

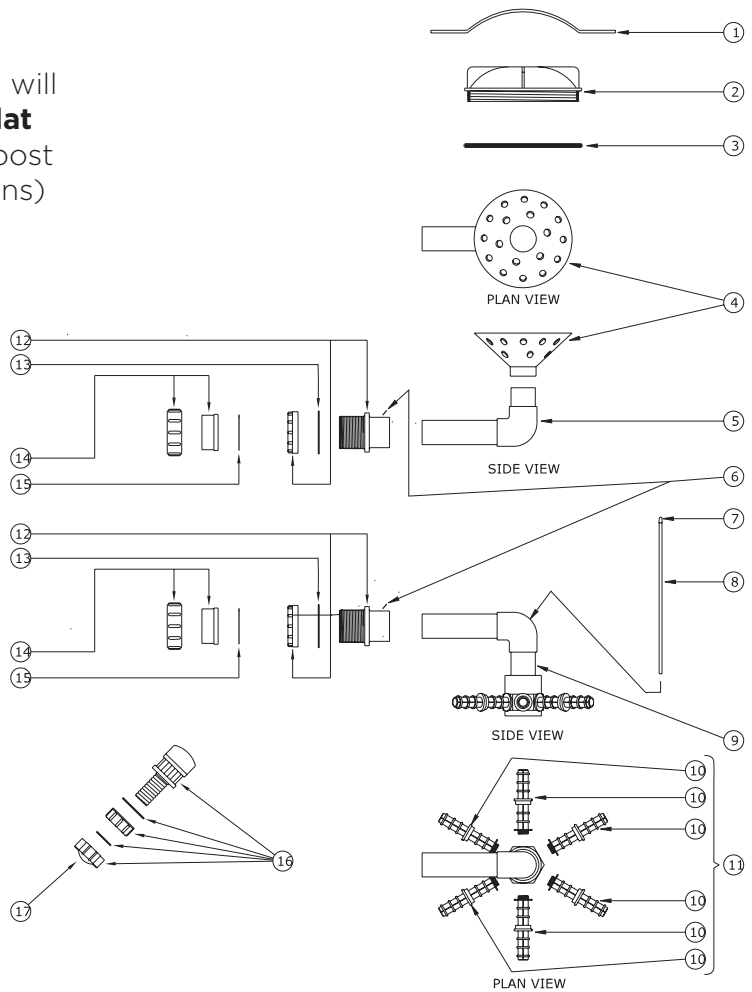
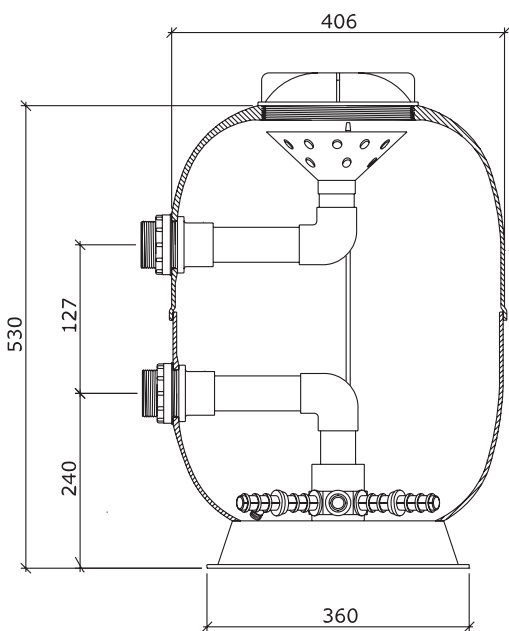
Product Code: K222016

Part Number	Product Description	Diagram No.	LIST PRICE
6012 (1304A)	Lacron lid removal tool (8" new type) Metal	1	68.92 €
W22235	Lid removal tool Plastic	n/s	26.29 €
62092920HBG	Lid (8" new type) Polycarbonate	2	105.19 €
621053HBG	Lid 'O' ring 8"	3	17.84 €
620221	Air relief tap	n/s	6.56 €
W02066B	Rose distributor 5.5"	4	15.85 €
1366 (W32363)	1.5" Header (less rose)	5	67.02 €
1671	3/4" Self tap screw (Pack of 10)	6	9.50 €
W12045	Air bleed cap. Also order 1 x 85251 Rubber Grommit @ 0.85	7	5.65 €
17100 (W02549)	16" Lacron air bleed tube	8	4.25 €
1363 (W12247)	16" - 1.5" Underdrain less candles	9	POA
62096007HBG	120mm Lateral (candle) (X 6 required per filter)	10	14.98 €
1393 (W12247)	lateral (candle) set	11	68.15 €
1222400HBG	1.5" Bulkhead fitting inc nut (Set of 2)	12	36.14 €
W02268HBG	1.5" Bulkhead Gasket (set of 2)	13	16.11 €
W32554-2HBG	1.5" Union Adaptor nut and sleeve (set of 2)	14	31.87 €
W32702-HBG	1.5" Union adaptor 'O' Ring (set of 2)	15	10.05 €
620960015HBG	Drain plug complete	16	16.59 €
W02522C	Drian plug - cap only	17	9.63 €
W04002PP	16"/18"/20" Base Stand	n/a	51.26 €

PRE 2006			
W02992-2HBG	1.5" Union adaptor inc sleeve (Set of 2)	14	31.88 €
W12332-2HBG	1.5" Union adaptor gasket (set of 2)	15	10.09 €
W02989	1.5" Bulkhead Fitting inc. Nut (Set of 2)	12	36.14 €
W02268HBG	1.5" Bulkhead gasket	13	16.11 €

PLEASE NOTE:

1.1/2" Lacron filters manufactured pre 2006 will have union adaptors (Barrel Unions) with **flat gaskets** 1.1/2" Lacron filters manufactured post 2006 will have union adaptors (Barrel Unions) with 'O' rings



Lacron LSR-18

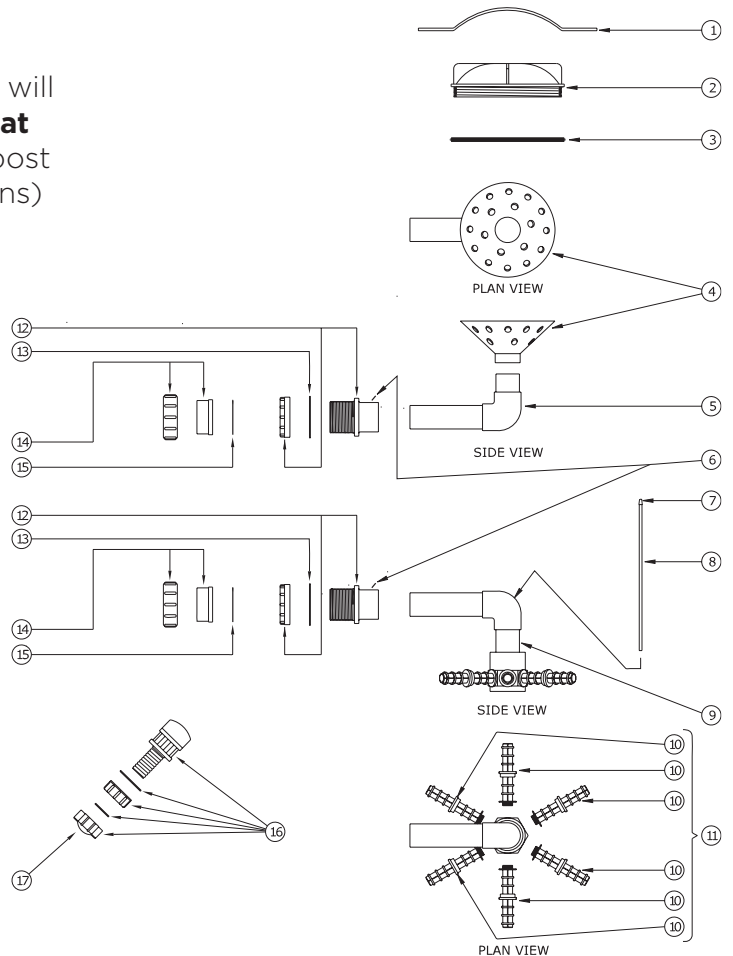
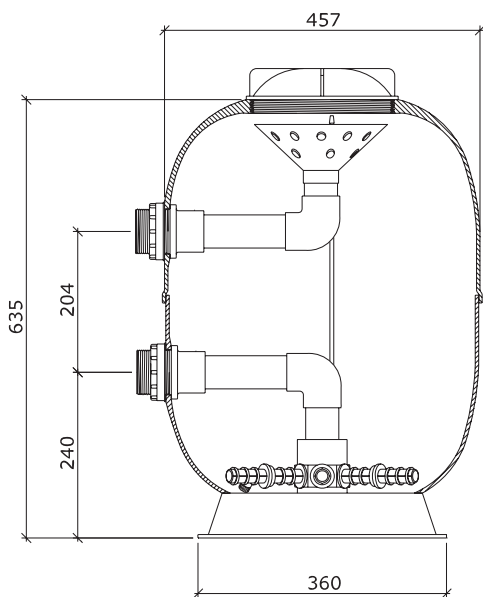
Product Code: K222018N

Part Number	Product Description	Diagram No.	LIST PRICE
6012 (1304A)	Lid removal tool (8" new type) Metal	1	68.92 €
W22235	Lid removal tool Plastic	n/s	26.29 €
62092920HGB	8" Lid Polycarbonate (Pre 2022)	2	105.19 €
621053HGB	Lid 'O' Ring 8" (Pre 2022)	3	17.84 €
6209291	SM 8" Lid (Post 2023)		56.30 €
62024BLK	Lock Ring for 8" Lid (Post 2023)		35.44 €
620929	6" Polycarbonate Lid	2	70.84 €
W02068	6" Lid 'O' Ring	3	12.45 €
620221	Air relief tap	n/s	6.56 €
W02066B	Rose distributor 5.5"	4	15.85 € </td
1366 (W32363)	1.5" Header (less rose)	5	67.02 €
1671	3/4" Self tap screw (Pack of 10)	6	9.50 €
W12045	Air bleed cap. Also order 1 x 85251 Rubber Grommit @ 0.85	7	5.65 €
17101 (W02549)	18" Airbleed tube	8	POA
W22510 (1365)	18" - 1.5" Underdrain (less candles)	9	64.07 €
62096007HGB	120mm Lateral (candle) (X 6 required per filter)	10	14.98 €
1393 (W12247)	Lateral (candle) set	11	68.15 €
1222400HGB	1.5" Bulkhead fitting including nut	12	36.14 €
W02268HGB	1.5" Bulkhead gasket (Set of 2)	13	16.11 €
W32554-2HGB	1.5" Union adaptor including sleeve (set of 2)	14	31.87 €
W32702-HBG	1.5" Union adaptor O-ring (set of 2)	15	10.05 €
620960015HGB	Drain plug complete	16	16.59 €
W02522C	Drain plug cap only	17	9.63 €
W04002PP	16"/18"/20" Base Stand	n/a	51.26 €

PRE 2006			
W02992-2HGB	1.5" Union Adaptor nut and sleeve (set of 2)	14	31.88 €
W12332-2HGB	1.5" Union adapter gasket (set of 2)	15	10.09 €
W02989	1.5" Bulkhead Fitting inc. Nut	12	36.14 €
W02268HGB	1.5" Bulkhead gasket	13	16.11 €

PLEASE NOTE:

1.1/2" Lacron filters manufactured pre 2006 will have union adaptors (Barrel Unions) with **flat gaskets** 1.1/2" Lacron filters manufactured post 2006 will have union adaptors (Barrel Unions) with 'O' rings



Lacron LSR-20

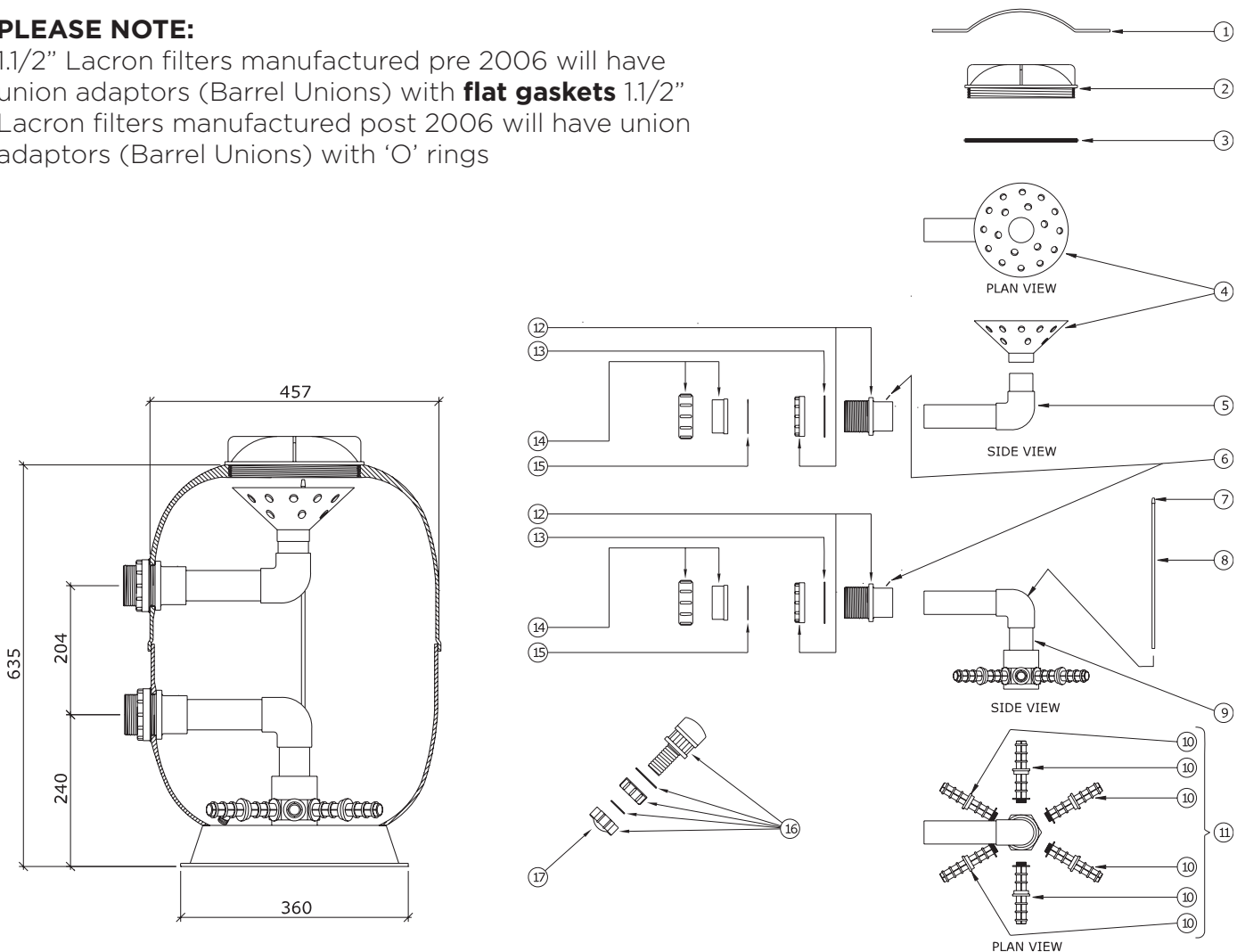
Product Code: K222020N

Part Number	Product Description	Diagram No.	LIST PRICE
6012 (1304A)	Lid removal tool (8" new type) Metal	1	68.92 €
W22235	Lid removal tool Plastic	n/s	26.29 €
62092920HBG	8" Lid Polycarbonate (Pre 2022)	2	105.19 €
621053HBG	Lid 'O' Ring 8" (Pre 2022)	3	POA
6209291	SM 8" Lid (Post 2023)		56.30 €
62024BLK	Lock Ring for 8" Lid (Post 2023)		35.44 €
W02066	Rose distributor	4	67.02 €
1366 (W32363)	1.5" Header (less rose)	5	9.50 €
1671	3/4" Self tap screw (Pack of 10)	6	5.65 €
W12045	Air bleed cap. Also order 1 x 85251 Rubber Grommit @ 0.85	7	10.82 €
17101A	20" Airbleed tube	8	POA
W22510 (1365A)	20" - 1.5" Underdrain (less candles)	9	14.98 €
62096007HBG	120mm Lateral (candle) (x 6 required per filter)	10	87.73 €
W12275 (1393A)	Lateral (candle) set	11	58.47 €
1222400HBG	1.5" Bulkhead fitting including nut	12	36.14 €
W02268HBG	1.5" Bulkhead gasket (Set of 2)	13	16.11 €
W32554-2HBG	1.5" Union Adaptor nut and sleeve (set of 2)	14	31.87 €
W32702-HBG	1.5" Union adaptor 'O' Ring (set of 2)	15	10.05 €
620960015HBG	Drain plug complete	16	16.59 €
W02522C	Drain plug cap only	17	9.63 €
W04002PP	16"/18"/20" Base Stand	n/a	51.26 €

PRE 2006			
W02992-2HBG	1.5" Union adaptor including sleeve (set of 2)	14	31.88 €
W12332-2HBG	1.5" Union adaptor gasket (set of 2)	15	10.09 €
W02989	1.5" Bulkhead fitting including Nut	12	36.14 €
W02268HBG	1.5" Bulkhead gasket	13	16.11 €

PLEASE NOTE:

1.1/2" Lacron filters manufactured pre 2006 will have union adaptors (Barrel Unions) with **flat gaskets** 1.1/2" Lacron filters manufactured post 2006 will have union adaptors (Barrel Unions) with 'O' rings



Lacron LSR-24

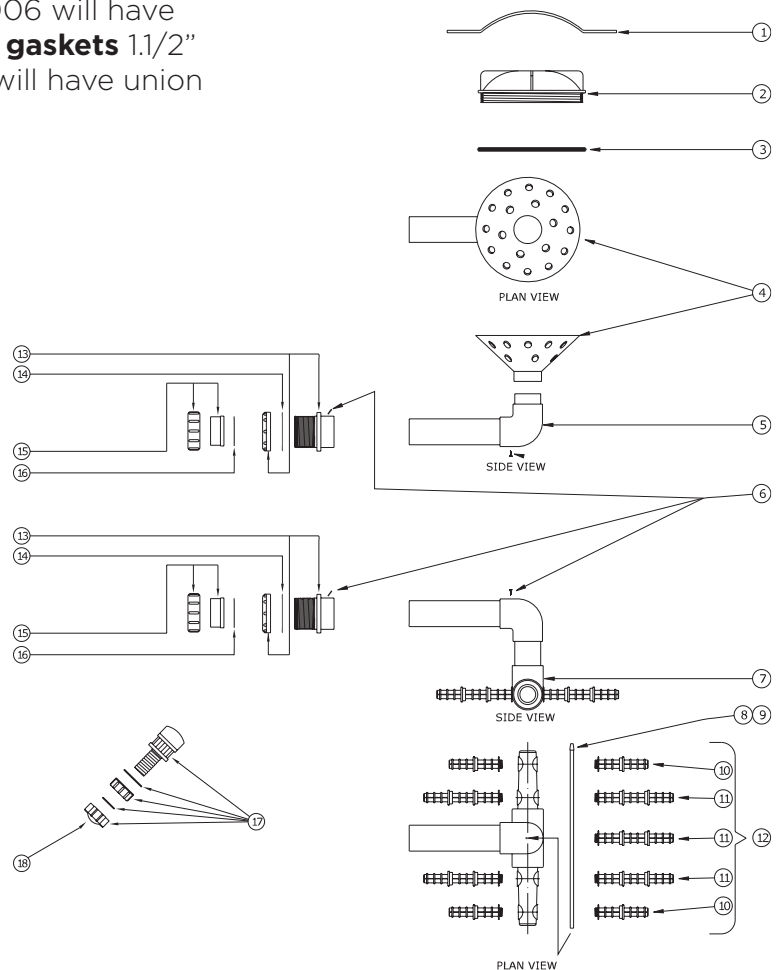
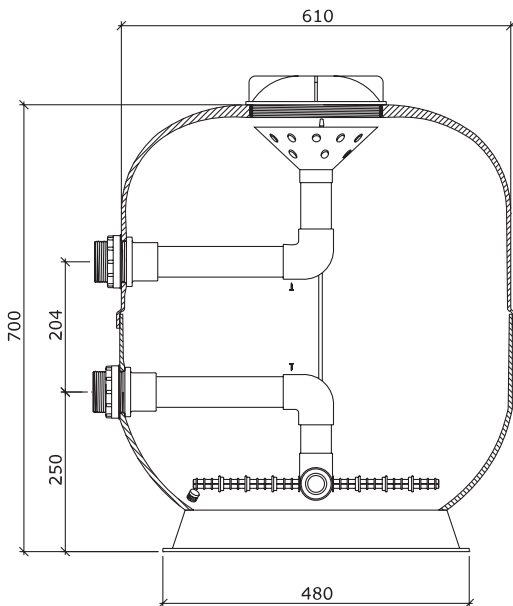
Product Code: K222024N

Part Number	Product Description	Diagram No.	LIST PRICE
6012 (1304A)	Lid Removal Tool (8" New Type) Metal	1	68.92 €
W22235	Lid removal tool Plastic	n/s	26.29 €
62092920HBG	8" Lid Polycarbonate (Pre 2022)	2	POA
621053HBG	Lid 'O' Ring 8" (Pre 2022)	3	POA
6209291	SM 8" Lid (Post 2023)		56.30 €
62024BLK	Lock Ring for 8" Lid (Post 2023)		35.44 €
W02066	Rose Distributor	4	15.85 €
1366 (W32363)	1.5" Header (Less Rose)	5	67.02 €
1671	3/4" Self Tap Screw (Pack Of 10)	6	9.50 €
W22216 (1367)	24" - 1.5" Underdrain Less Candles	7	71.63 €
W02549 (17102)	24" Lacron Airbleed	8	POA
W12045	Air Bleed Cap. Also order 1 x 85251 Rubber Grommit @ 0.85	9	5.65 €
62096007HBG	120Mm Lateral (Candle) (X 4 required per filter)	10	14.98 €
62096008HBG	180Mm Lateral (Candle) (X 6 required per filter)	11	14.99 €
W22218 (1394)	Lateral (Candle) Set	12	87.73 €
1222400HBG	1.5" Bulkhead Fitting (Plus Nut)	13	36.14 €
W02268HBG	1.5" Bulkhead Gasket (Set Of 2)	14	16.11 €
W32554-2HBG	1.5" Union Adaptor Nut And Sleeve (Set Of 2)	15	31.87 €
W32702-HBG	1.5" Union Adaptor 'O' Ring (Set Of 2)	16	10.05 €
620960015HBG	Drain Plug Complete	17	16.59 €
W02522C	Drain Plug Cap	18	9.63 €
W04003PP	24" Base Stand	n/a	46.18 €

PRE 2006			
W02992-2HBG	1.5" Adaptor Union (Plus Sleeve) (Set Of 2)	15	31.88 €
W12332-2HBG	1.5" Adaptor Gasket (Set Of 2)	16	10.09 €
W02989	1.5" Bulkhead Fitting Including Nut	13	36.14 €
W02268HBG	1.5" Bulkhead Gasket	14	16.11 €

PLEASE NOTE:

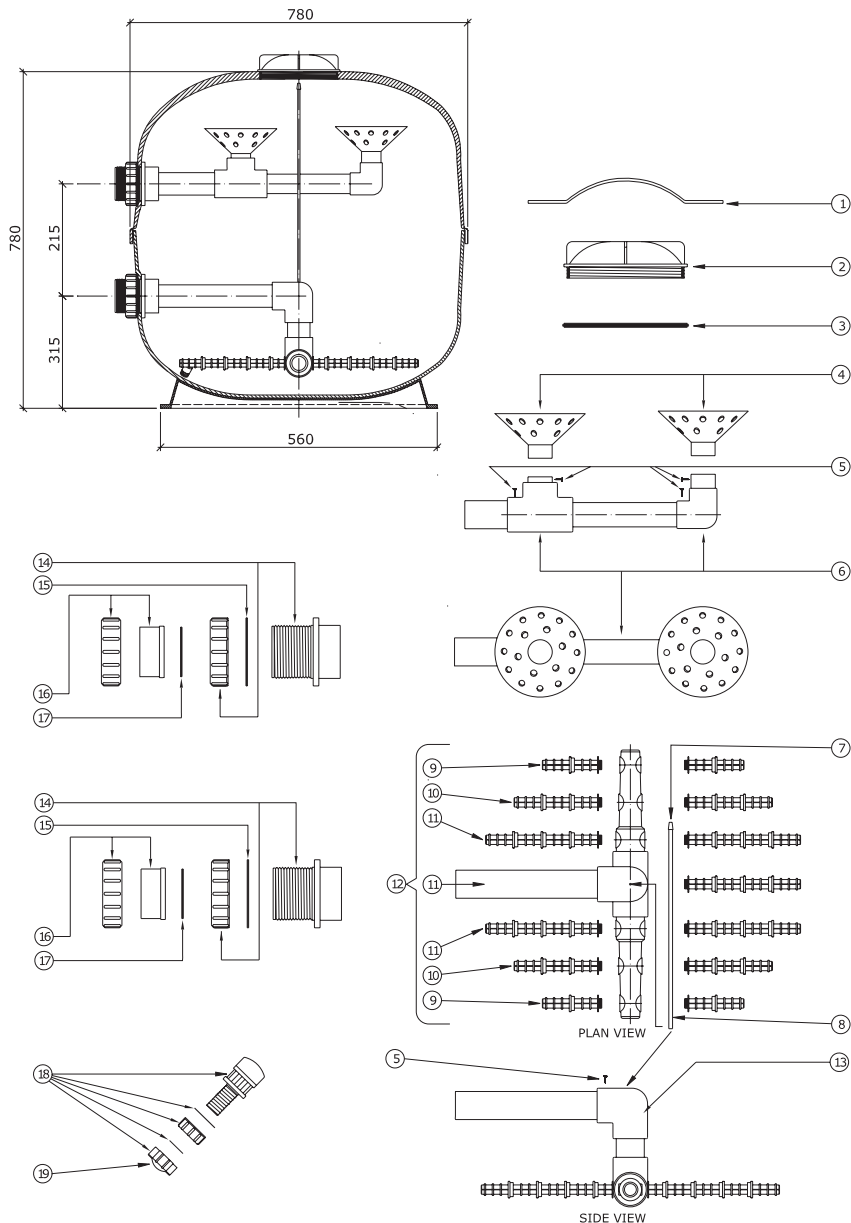
1.1/2" Lacron filters manufactured pre 2006 will have union adaptors (Barrel Unions) with **flat gaskets** 1.1/2" Lacron filters manufactured post 2006 will have union adaptors (Barrel Unions) with 'O' rings



Lacron LSR-30

Product Code: 222030N

Part Number	Product Description	Diagram No.	LIST PRICE
6012 (1304A)	Lacron Lid Removal Tool (8" New Type)	1	68.92 €
W22235	Lid Removal Tool Plastic	n/s	26.29 €
62092920HBG	8" Lid Polycarbonate (Pre 2022)	2	105.19 €
621053HBG	Lid 'O' Ring 8" (Pre 2022)	3	17.84 €
6209291	SM 8" Lid (Post 2023)		56.30 €
62024BLK	Lock Ring for 8" Lid (Pst 2023)		35.44 €
W02066	Rose Distributor	4	15.85 €
1671	$\frac{3}{4}$ " Self Tap Screw (Pack Of 10)	5	9.50 €
1370	2" Header (Less Rose)	6	109.28 €
W12045	Air Bleed Cap. Also order 1 x 85251 Rubber Grommit @ 0.85	7	5.65 €
W02550 (17103)	30" Lacron Airbleed	8	5.17 €
62096007HBG	120mm Lateral (Candle) (X 4 required per filter)	9	14.98 €
62096008HBG	180mm Lateral (Candle) (X 4 required per filter)	10	14.99 €
62096009HBG	240mm Lateral (Candle) (X 6 required per filter)	11	18.07 €
W22219 (1395)	Lateral (Candle) Set	12	189.04 €
W22217 (1369)	30" - 2" Underdrain Less Candles	13	125.05 €
62096014HBG	2" Bulkhead Fitting (Plus Nut)	14	43.13 €
W12252HBG	2" Bulkhead Gasket (Set Of 2)	15	8.44 €
W02990-2HBG	2" Adaptor Union (Plus Sleeve) (Set Of 2)	16	40.38 €
W12253-2HBG	2" Adaptor Gasket (Set Of 2)	17	16.59 €
620960015HBG	Drain Plug Complete	18	16.59 €
W02522C	Drain Plug Cap	19	9.63 €
W04004PP	30" Base Stand	n/a	57.52 €



Lacron LSR-36 - 2" Ports

Product Code: 2220361

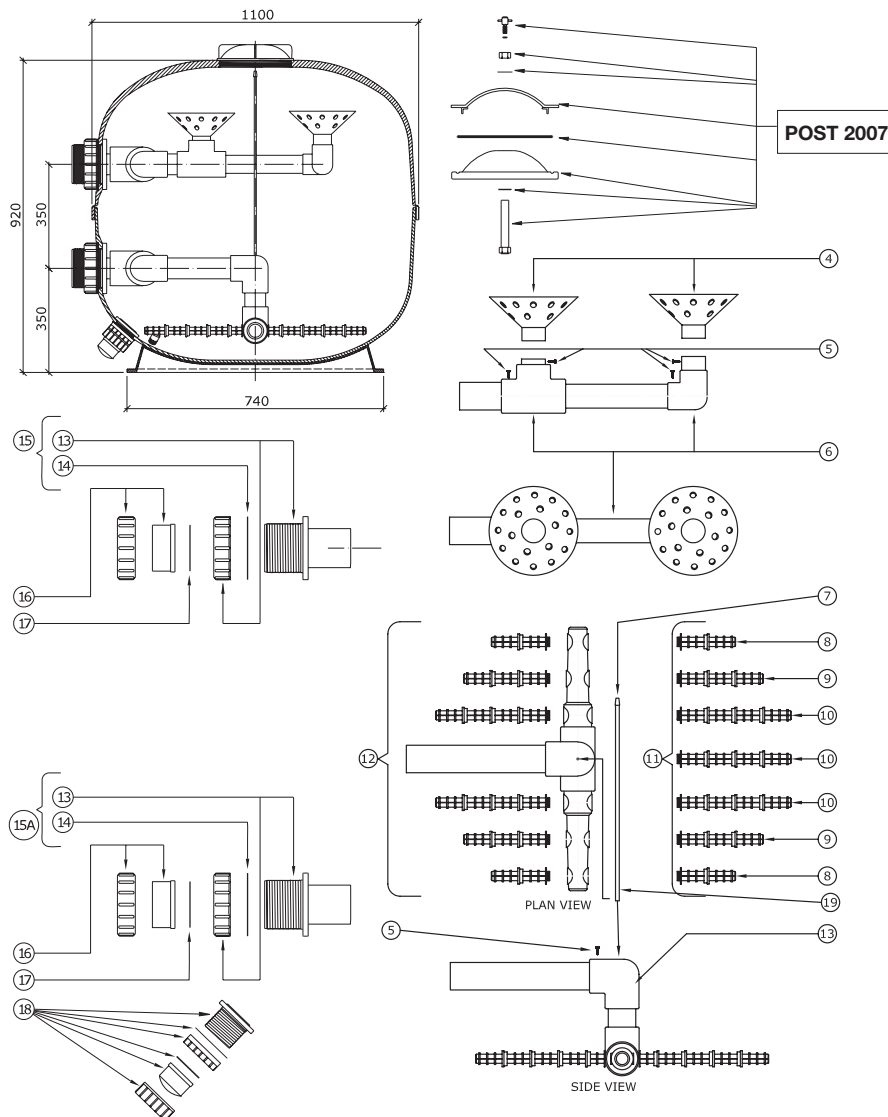
Part Number	Product Description	Diagram No.	LIST PRICE
W02066	Rose Distributor	4	15.85 €
1671	3/4" Self Tap Screw (Pack Of 10)	5	9.50 €
1370	2" Header (Less Rose)	6	109.28 €
W12045	Air Relief Tube Screen	7	5.65 €
17104	36" Lacron Airbleed (840mm)	19	19.38 €
62096007HBG	120mm Lateral (Candle) (X 4 required per filter)	8	14.98 €
62096008HBG	180mm Lateral (Candle) (X 4 required per filter)	9	14.99 €
62096009HBG	240mm Lateral (Candle) (X 6 required per filter)	10	18.07 €
1395A	Lateral (Candle) Set	11	209.81 €
1388B	2" Underdrain Less Candles	12a,12b,12c	347.28 €
62096014HBG	2" Bulkhead Fitting (Plus Nut)	13	43.13 €
W12252HBG	2" Bulkhead Gasket (Set Of 2)	14	8.44 €
W02990-2HBG	2" Adaptor Union (Plus Sleeve)	16	40.38 €
W12253-2HBG	2" Adaptor Gasket (Set Of 2)	17	16.59 €
W04058BLK	40mm Drain Plug Complete	18	115.58 €
W04854	36" Base Stand	n/s	234.01 €

For filters supplied prior to Clamp Style Lid

6012 (1304A)	Lacron Lid Removal Tool (8" New Type)	n/s	68.92 €
62092920HBG	Lacron Lid (Polycarbonate 8" New Type)	n/s	105.19 €
621053HBG	Lacron Lid 'O' Ring	n/s	17.84 €

Post 2007 'Clamp Lid'

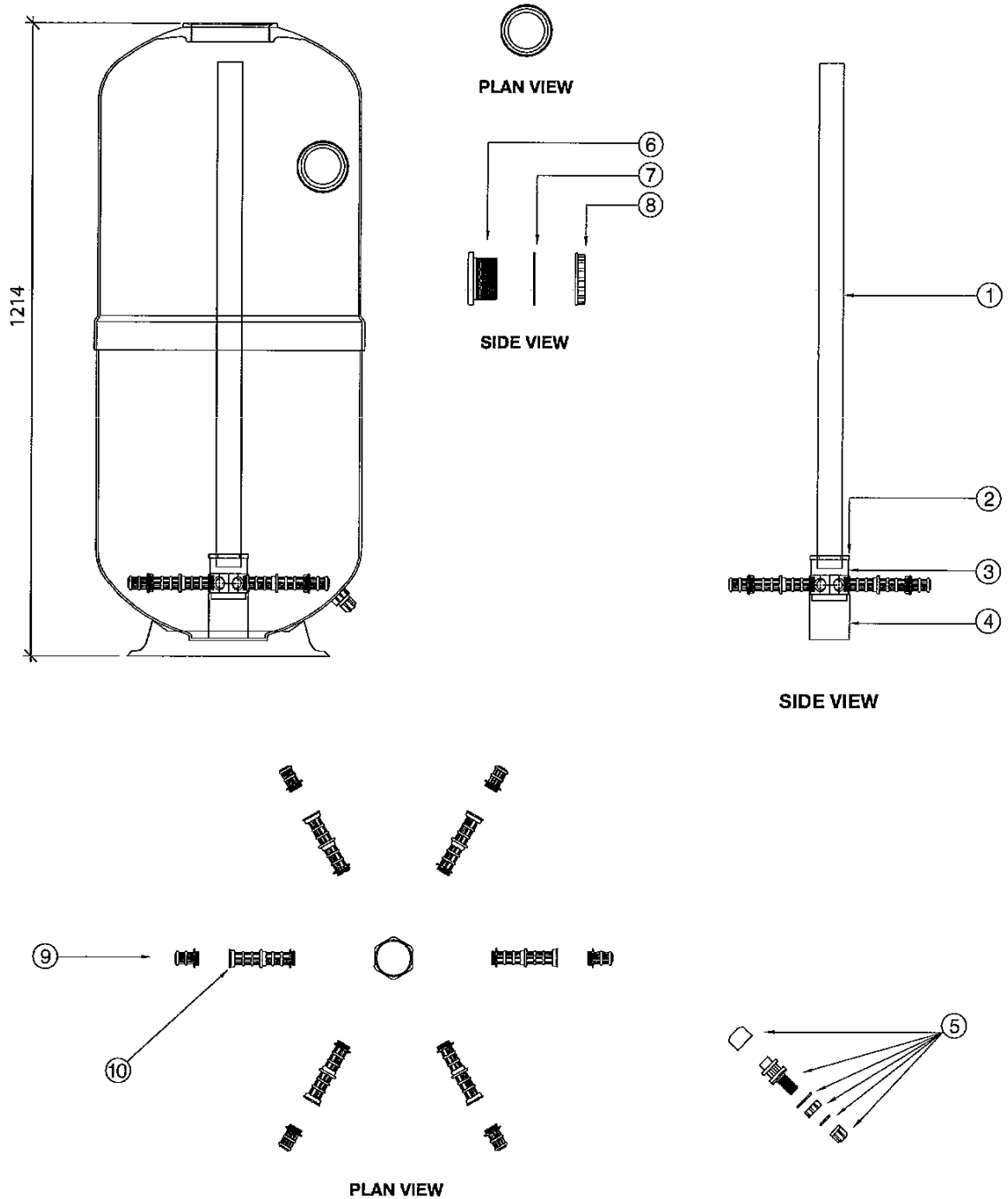
W12076	Nylon Air Relief Tap + 'O' Ring		16.69 €
W12248	Lid Retaining Clamp C/W Screw & Nut		174.44 €
W02933 (1993)	Small Oval Lid O Ring		22.59 €
W12135	Small Oval Lid		182.32 €



Lacron Plus Top Mount-20"

Product Code: 2220200

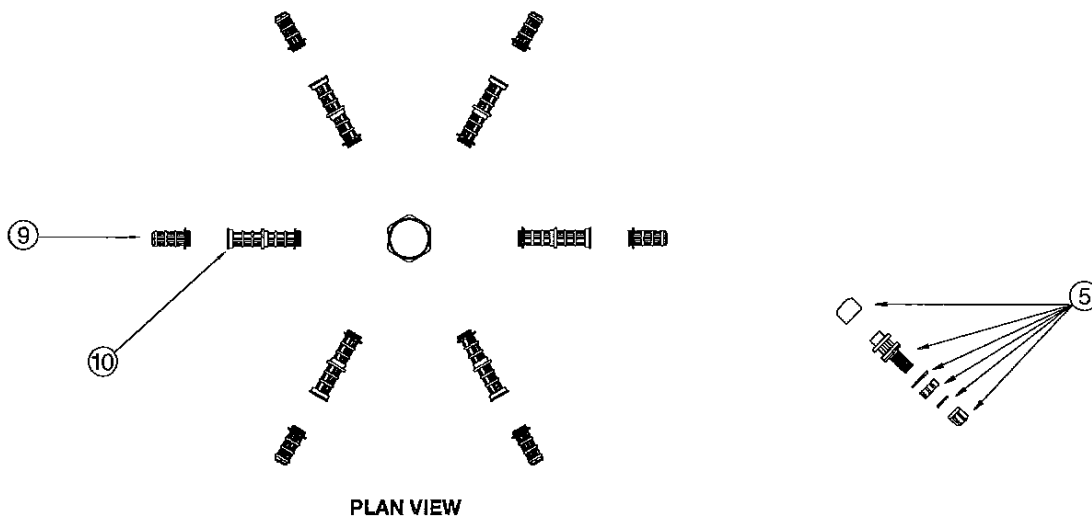
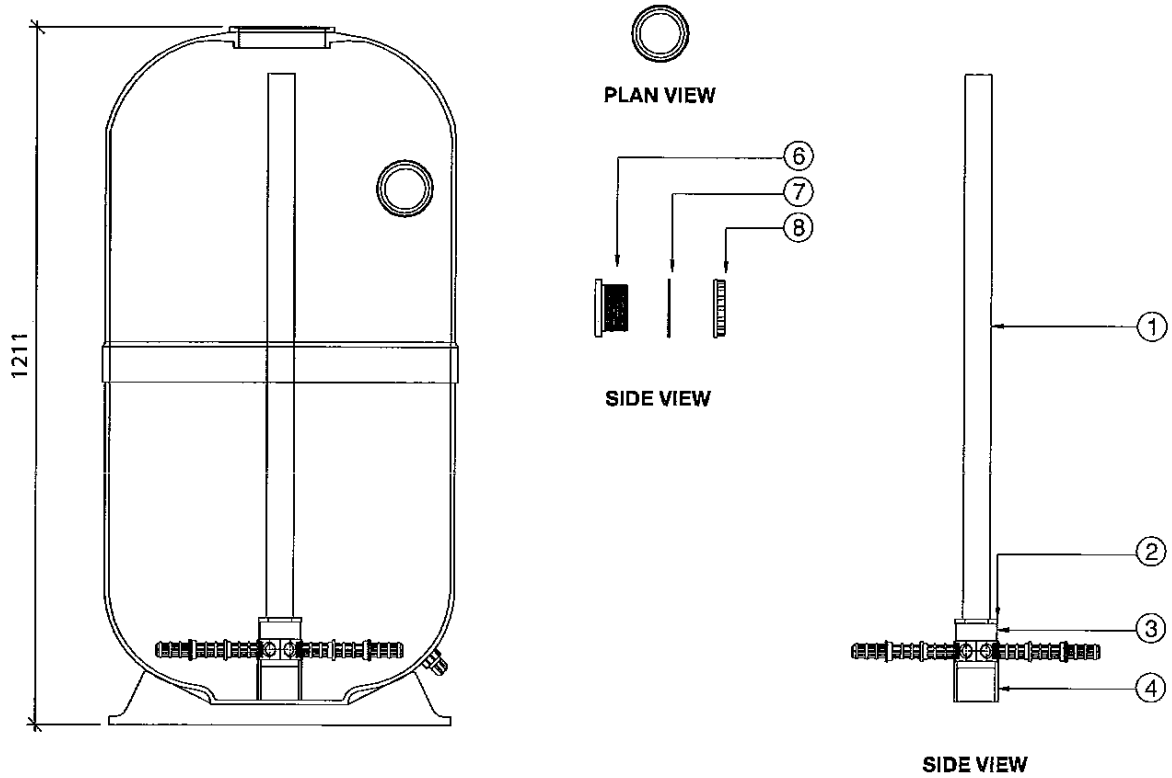
Part Number	Product Description	Diagram No.	LIST PRICE
W99019	Pipe 1.5"	1	1.40 €
12555BLK	REDUCING BUSH 50 X 40	2	4.77 €
W12241	Hexagonal Manifold	3	13.13 €
116512	Pipe 65mm CL 12	4	3.27 €
620960015HBG	Drain Plug Complete 15mm	5	16.59 €
W22314	Sight glass 2" moulded	6	22.44 €
W02080	Gasket sight glass 2"	7	18.17 €
W02567	B/H lock Nut 2"	8	16.79 €
W02986	Candle 40mm capped (6 required per filter)	9	3.75 €
W02991	Candle 120mm open (6 required per filter)	10	4.49 €



Lacron Plus Top Mount-24"

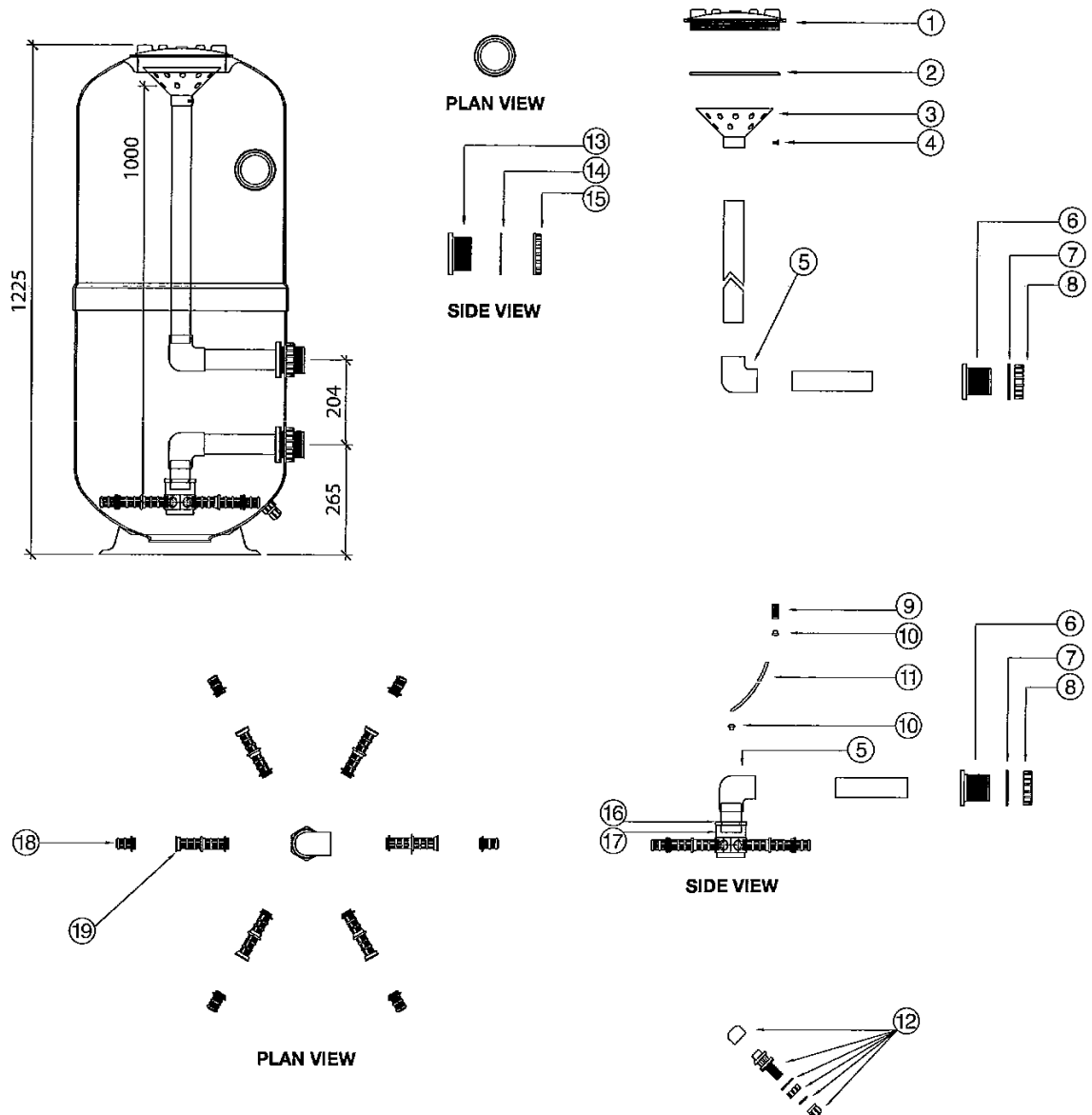
Product Code: 2220240

Part Number	Product Description	Diagram No.	LIST PRICE
W99019	Pipe 1.5"	1	1.40 €
12555BLK	REDUCING BUSH 50 X 40	2	4.77 €
W12241	Hexagonal Manifold	3	13.13 €
116512	Pipe 65mm CL 12	4	3.27 €
620960015HBG	Drain Plug Complete 15mm	5	16.59 €
W22314	Sight glass 2" moulded	6	22.44 €
W02080	Gasket sight glass 2"	7	18.17 €
W02567	B/H lock Nut 2"	8	16.79 €
W02984	Candle 40mm capped (6 required per filter)	9	13.89 €
W02991	Candle 120mm open (6 required per filter)	10	4.49 €



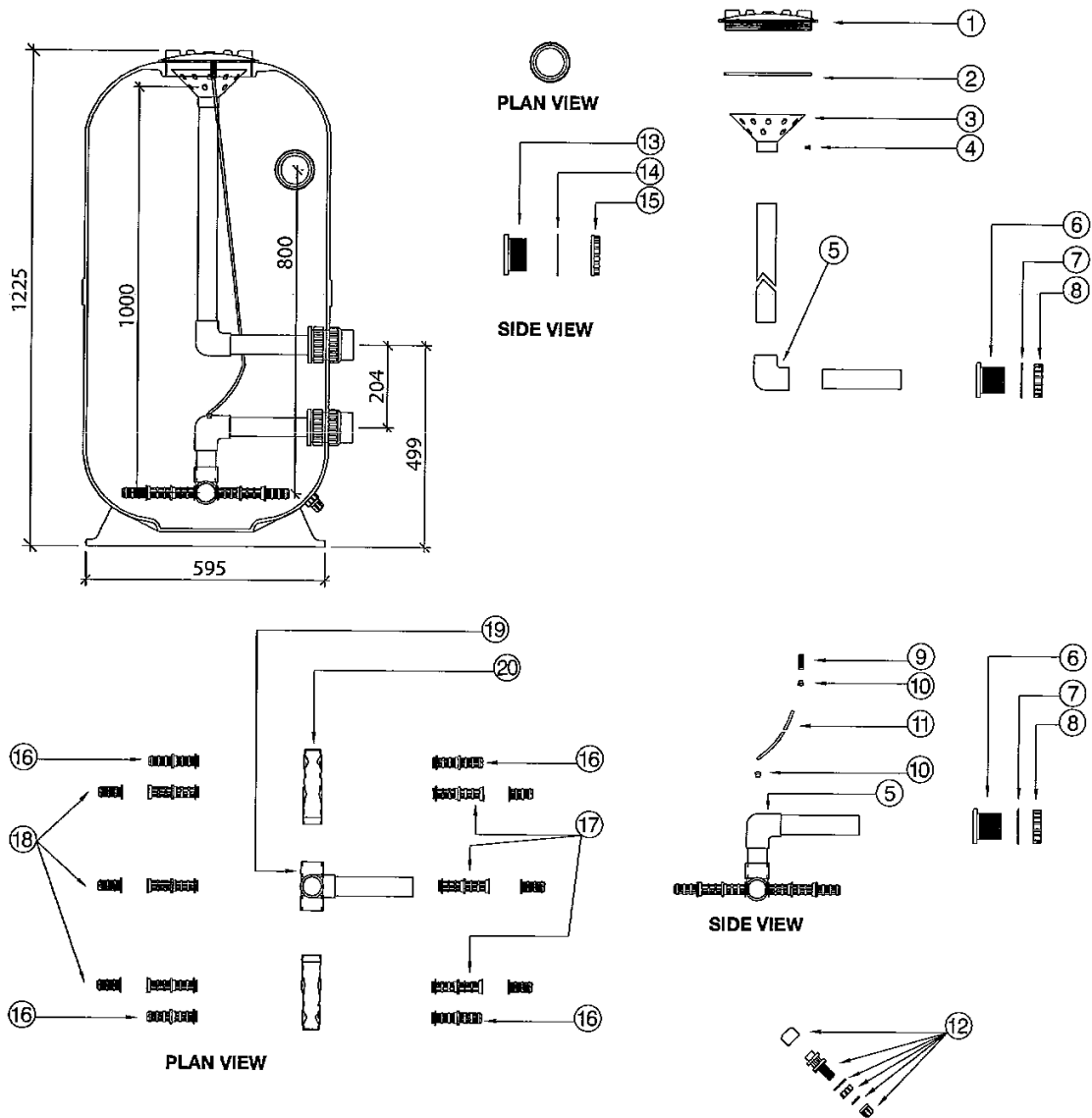
Lacron Plus Side Mount-20"

Part Number	Product Description	Diagram No.	LIST PRICE
6012 (1304A)	Lid removal tool (8" new type)		68.92 €
W22235	Lacron Lid removal tool - Plastic		26.29 €
62092920HBG	Lid (New type 8") Polycarbonate	1	105.19 €
621053HBG	Lid 'O' Ring	2	17.84 €
W02066	Rose distributor	3	15.85 €
W02214	Screw 8 x 5/8"	4	1.64 €
121340	Elbow 90deg. 50mm (Qty 2 required per filter)	5	7.63 €
W02272BLK	Bulkhead threaded body 50mm Black (Qty 2 required per filter)	6	4.76 €
W02268	Gasket Bulkhead body 50mm (Qty 2 required per filter)	7	11.48 €
W02271BLK	Bulkhead lock nut (Qty 2 required per filter)	8	6.11 €
W02289	Air Relief Tube Screen	9	6.94 €
85251	Gulfstream Plug (Qty 2 required per filter)	10	1.23 €
W02558	Airbleed Tube (1 m)	11	18.28 €
620960015HBG	Drain Plug complete 15mm	12	16.59 €
W22314	Sight glass 2" Moulded	13	22.44 €
W02080	Gasket Sight glass 2"	14	18.17 €
W02567	B/Head Lock Nut 2"	15	16.79 €
W1255BLK	Reducing Bush	16	3.69 €
W12087	Hexagonal manifold	17	10.05 €
W02986	Candle 40mm capped (Qty 6 required per filter)	18	3.75 €
W02991	Candle 120mm open (Qty 6 required per filter)	19	4.49 €



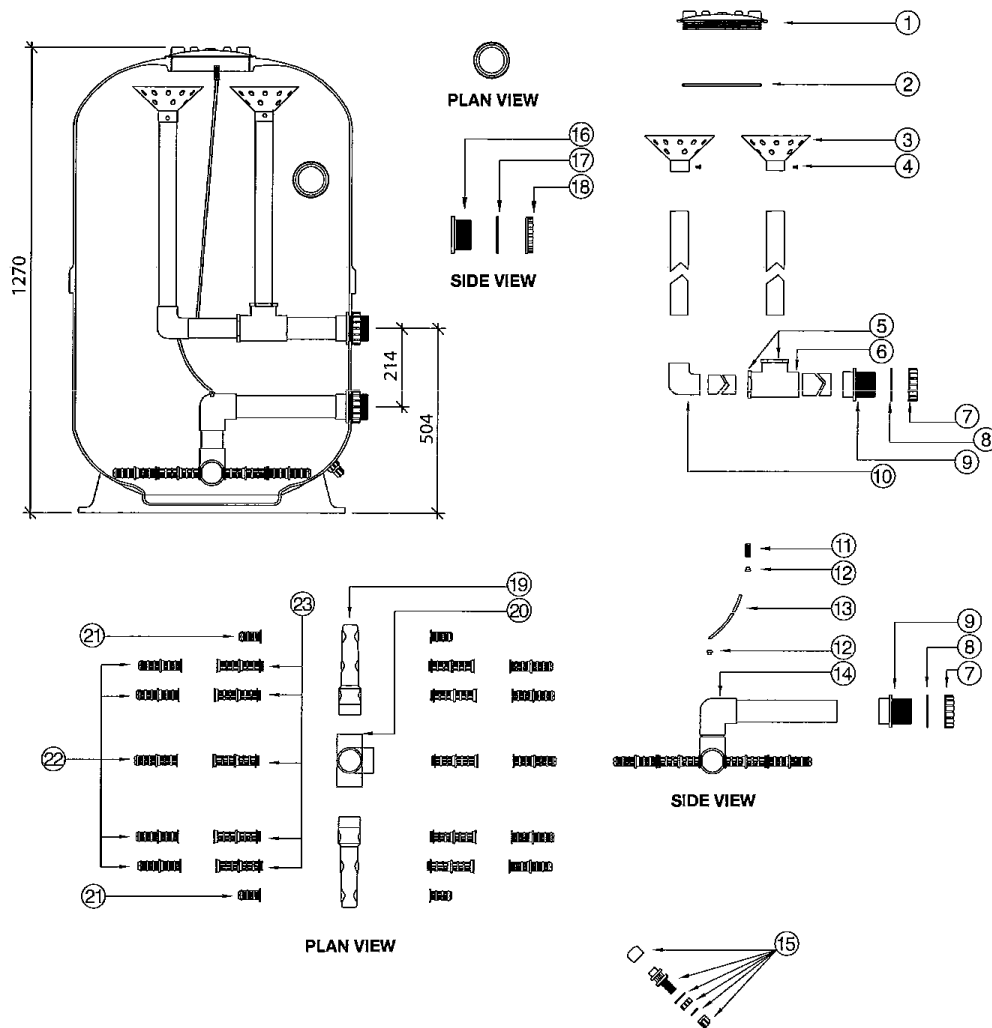
Lacron Plus Side Mount-24"

Part Number	Product Description	Diagram No.	LIST PRICE
6012 (1304A)	Lid removal tool (8" new type)	n/s	68.92 €
W22235	Lacron Lid removal tool - Plastic	n/s	26.29 €
62092920HBG	Lid (New type 8") Polycarbonate	1	105.19 €
621053HBG	Lid 'O' Ring	2	17.84 €
W02066	Rose distributor	3	15.85 €
W02214	Screw 8 x 5/8"	4	1.64 €
121340	Elbow 90deg. 50mm (Qty 2 required per filter)	5	7.63 €
W02272BLK	Bulkhead threaded body 50mm Black (Qty 2 required per filter)	6	4.76 €
W02268	Gasket Bulkhead body 50mm (Qty 2 required per filter)	7	11.48 €
W02271BLK	Bulkhead lock nut (Qty 2 required per filter)	8	6.11 €
W02289	Air Relief Tube Screen	9	6.94 €
85251	Gulfstream Plug (Qty 2 required per filter)	10	1.23 €
W02558	Airbleed Tube (1 M)	11	18.28 €
W02026BLK	Drain Plug complete 15mm	12	115.58 €
W22314	Sight glass 2" Moulded	13	22.44 €
W02080	Gasket Sight glass 2"	14	18.17 €
W02567	B/Head Lock Nut 2"	15	16.79 €
W02985	Candle 120mm capped (Qty 4 required per filter)	16	14.98 €
W02991	Candle 120mm open (Qty 6 required per filter)	17	4.49 €
W02984	Candle 60mm capped (Qty 6 required per filter)	18	13.89 €
W12086	Tapped Tee	19	9.72 €
W12088	Tapped 2 Hole collector	20	9.83 €



Lacron Plus Side Mount-30"

Part Number	Product Description	Diagram No.	LIST PRICE
6012 (1304A)	Lid removal tool (8" new type)	n/s	68.92 €
W22235	Lacron Lid removal tool - Plastic	n/s	26.29 €
62092920HBG	Lid (New type 8") Polycarbonate	1	105.19 €
621053HBG	Lid 'O' Ring	2	17.84 €
W02066	Rose distributor (Qty 2 required per filter)	3	15.85 €
W02214	Screw 8 x 5/8"	4	1.64 €
12555BLK	Reducing Bush	5	4.77 €
121950	2" Tee	6	6.22 €
W12066	B/head lock nut 2" (Qty 2 required per filter)	7	12.41 €
W12252	Gasket B/head (Qty 2 required per filter)	8	8.44 €
W12067	B/head body 2" (Qty 2 required per filter)	9	12.41 €
121340	Elbow 90deg. 50mm (Qty 2 required per filter)	10	8.44 €
W02289	Air Relief Tube Screen	11	12.41 €
85251	Gulfstream Plug (Qty 2 required per filter)	12	7.63 €
W02558	Airbleed Tube (1 M)	13	6.94 €
121350	Elbow 2"	14	7.15 €
W02026BLK	Drain Plug complete 15mm	15	115.58 €
W22314	Sight glass 2" Moulded	16	22.44 €
W02080	Gasket Sight glass 2"	17	18.17 €
W02567	B/Head Lock Nut 2"	18	16.79 €
W12089	Tapped 3-Hole Collector	19	17.96 €
W12119	Tapped Tee 2"	20	11.50 €
W02984	Candle 60mm capped (Qty 4 required per filter)	21	13.89 €
W02985	Candle 120mm capped (Qty 4 required per filter)	22	14.98 €
W02991	Candle 120mm open (Qty 6 required per filter)	23	4.49 €

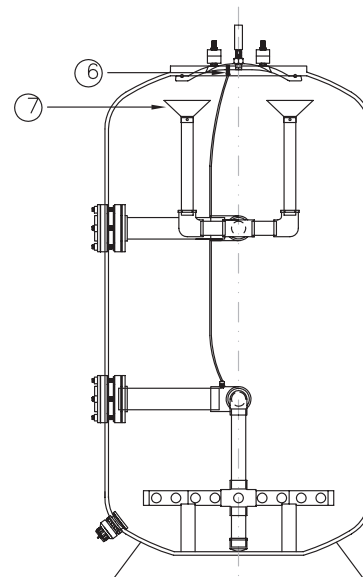
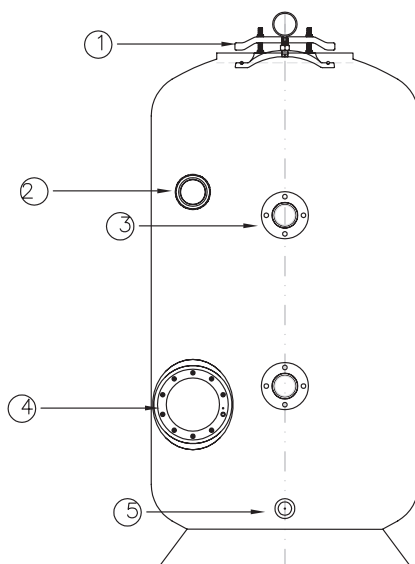
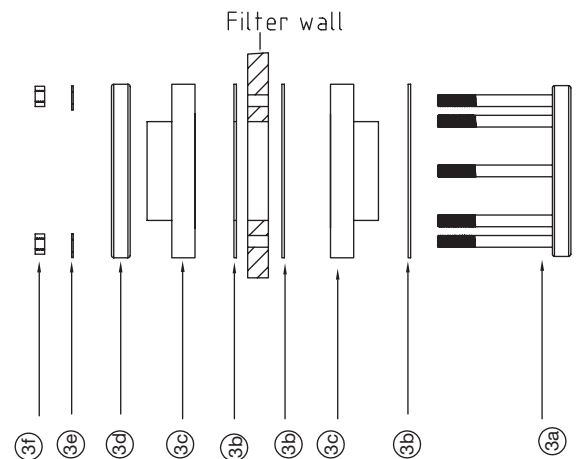


SMD / SMDD Side Mount Deep Bed Filters

Part Number	Product Description	Nos.	Diagram No.	LIST PRICE
W12720	Man Hole Cover 4 Stud Complete		1	2,114.98 €
6209430	Lid Yoke Lacron (2 required)			155.56 €
620266 (W02536)	O Ring Manhole Cover Oval 4 Stud - Waterco			POA
634080BLK	Barrel Union Lock Nut 80mm Black (2 required -SMD only)	3		44.32 €
6340801	Barrel Union Lock Nut 100mm Black (2 required O ring -SMD only)	3		93.52 €
W02249	O B/U 90mm O ring -SMD only	3		10.47 €
W02553	O B/U 110mm O ring - SMD only	3		27.60 €
62380	Sight Glass 3" Complete (Post 2008)	2		63.10 €
W12132	Sight Glass 3" Acrylic Cap (Pre 2008)	2		301.66 €
W12299	Side Manhole Cover 18 Hole Oval	4		845.41 €
W12050FG	Side Hatch Round 200mm	4		337.91 €
W12300	Gasket for Side Manhole Oval 18 Hole	4		53.23 €
W12216	O Ring G210 for Side Hatch Round 200mm	4		14.29 €
W02026BLK	Drain Plug complete 15mm	5		115.58 €
W04058BLK	Drain Plug complete 40mm	5		115.58 €
6209305	Drain Plug complete 50mm	5		64.60 €
620936	Drain Plug Assembly Connector 1" BSPT			56.71 €
W02066	Funnel For Port Size 3" & 4" (90mm & 110mm) (4 required) & 50mm	7		15.85 €
621013	Funnel for Port Size 6" (150mm) (4 required)	7		91.31 €
W02289	Air Relief Tube Screen	6		6.94 €
85251	Gulfstream Plug (2 required)	6		1.23 €
W02539	Bulkhead gasket 4"/110mm			6.01 €
12221006	Bulkhead locknut 4"/110mm			17.81 €
12221007	Bulkhead threaded body 4"/110mm			59.42 €
62096017HBG	3" bulk head (1per bag)			67.77 €
1560	3" gasket			24.13 €

For pressure gauges - see page 16 of main price list

Part Number	Product Description	Nos.	Diagram No.	Port Size
W22634	Flange Stud Ring	2	3a	3"
W22139		2		4"
W22140		2		6"
1216801	Gasket Flange	6	3b	3"
63453063		6		4"
W02251		6		6"
1216803	PVC Flange	4	3c	3"
12161004		4		4"
W12540		4		6"
W22633	Flange Clamp Ring	2	3d	3"
W22141		2		4"
W22142		2		6"
W12126	Washer SS304	8	3e	3"
W12126		16		4"
W12539		16		6"
W12912	Hex Nut SS304	8	3f	3"
W12912		16		4"
W12910		16		6"



SMD / SMDD Side Mount Deep Bed Filters

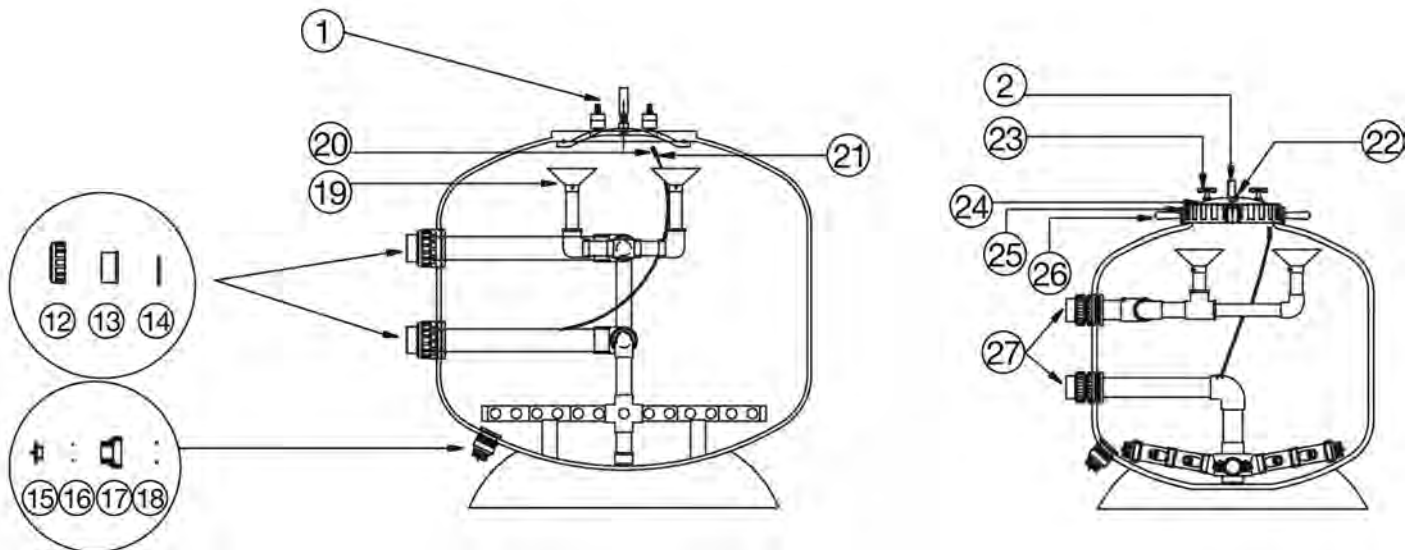
Part No:	Manifold	LATERALS				WO2117PP Lateral End Cap Nut	WO2158PP Lateral End Plug (male)	W12073 HRZ Cross Tee	WO2156 HRZ LCT Extension	WO2157 HRZ LCT End Cap	6200912 Extension Arm	WO2269BLK Cap Body	WO2270BLK Cap Nut
		WO2111PP 75mm	WO2112PP 110mm	WO2113PP 145mm	WO2114PP 200mm								
SMD/SMDD400	50mm	8	-	-	-	8	-	-	-	-			
SMD/SMDD500	50mm	-	-	8	-	8	-	-	-	-			
SMD/SMDD600	50mm	8	8	-	-	8	-	-	-	-			
SMD/SMDD750	63mm	8	-	8	-	8	-	-	-	-			
SMD/SMDD900 63mm Port	63mm	8	-	-	8	8	-	-	-	-			
SMD/SMDD900 90mm Port	-	4	22	4	2	36	4	2	8	4	-		
SMD/SMDD1050 63mm Port	63mm	-	8	8	-	8	-	-	-	-			
SMD/SMDD1050 75mm Port	75mm	8	16	-	12	20	-	-	-	8	4	4	
SMD/SMDD1050 90mm Port	-	8	20	10	4	32	4	2	8	4	-		
SMD/SMDD1200 63mm Port	63mm	8	-	-	16	8	-	-	-	-			
SMD/SMDD1200 75mm Port	75mm	16	4	20	12	28	-	-	-	12	4	4	
SMD/SMDD1200 90mm Port	-	2	26	8	6	32	4	2	8	4	-		
SMD/SMDD1200 90Port wLateral manhole#620947	-	3	6	25	6	32	4	2	8	4	-		
SMD/SMDD1200 110mm Port	-	4	4	4	36	-	48	-	-	-	-		
SMD/SMDD1400 90mm Port	-	8	8	36	14	48	4	2	12	4	-		
SMD/SMDD1400 110mm Port	-	10	8	12	32	-	52	-	-	-	-		
SMD/SMDD1600 90mm Port	-	4	16	42	18	48	4	2	12	4	-		
SMD/SMDD1600 110mm Port	-	10	22	22	38	-	60	-	-	-	-		
SMD/SMDD1600 160mm Port	-	18	8	80	14	-	68	-	-	-	-		
SMD/SMDD1800 110mm Port	-	8	42	22	68	-	76	-	-	-	-		
SMD/SMDD1800 150mm Port	-	46	4	22	68	-	76	-	-	-	-		
SMD/SMDD2000 110mm Port	-	2	52	20	74	-	80	-	-	-	-		
SMD/SMDD2000 160mm Port	-	22	54	30	68	-	80	-	-	-	-		
SMD/SMDD2000 160Port wLateral manhole #620947	-	22	53	29	68	-	80	-	-	-	-		
SMDD2200 160mm Port	-	64	34	30	88	-	96	-	-	-	-		
SMD/SMDD2350 160mm Port	-	4	62	42	122	-	104	-	-	-	-		
SMD/SMDD2500 160mm Port	-	54	4	20	160	-	108	-	-	-	-		

For prices, please see page 30

Micron Side Mount Commercial Filters

Part Number	Product Description	Diagram No.	LIST PRICE
W12720	Man Hole Cover 4 Stud Complete	1	2,114.98 €
6209430	Lid Yoke Lacron (2 required)		155.56 €
620266 (W02536)	O Ring Manhole Cover Oval 4 Stud - Waterco		18.02 €
634080BLK	3" Half Union Black (2 required)	12/13/14	44.32 €
634080EBLK	90mm half union black	12/13/14	33.84 €
6340801	110mm Half Union Black (2 required)	12/13/14	93.52 €
W02249	O Ring B/U 90mm	14	10.47 €
W02553	O Ring B/U 110mm	14	27.60 €
W04058BLK	Drain Plug complete 40mm	15/16/17/18	115.58 €
W02066	Funnel For Port Size 3" & 4" (90mm & 110mm) (4 required)	19	15.85 €
W02289	Air Relief Tube Screen	20	6.94 €
85251	Gulfstream Plug (2 required)	21	1.23 €
620221	Air Relief Valve	22	6.56 €
6202321	Handle for lid 12" (2 required)	23	52.20 €
W02630	Lid 12"	24	46.10 €
620232	Lock Ring 12"	25	231.83 €
6202321	Screwed handle for 12" lock ring (4 required)	26	52.20 €
62027	lid o ring 12"	26	33.63 €
63406565BLK	Half union 65mm c/w O ring (2 required)	27	32.64 €
W02539	Bulkhead gasket 4"/110mm		6.01 €
12221006	Bulkhead locknut 4"/110mm		17.81 €
12221007	Bulkhead threaded body 4"/110mm		59.42 €

For pressure gauges - see page 14 of main price list



Part No:	Manifold	W0211PP	W02112PP	W02113PP	W02114PP	W02117PP	W02158PP	W12073	W02156	W02157	6200912	W02269BLK	W02270BLK
		LATERALS				Lateral End Cap Nut	Lateral End Plug (male)	Hz Cross Tee	Hz LCT Extension	Hz LCT End Cap	Extension Arm	Cap Body	Cap Nut
Model		75mm	110mm	145mm	200mm								
SM1050 75mm Port	65mm	8	16	-	12	20	-	-	-	-	8	4	4
SM1050	80mm	8	20	10	4	32	4	2	8	4	-		
SM1200 75mm Port	65mm	16	4	20	12	28	-	-	-	-	12	4	4
SM1200	-	2	26	8	6	32	4	2	8	4	-		
SM1400	-	8	8	36	14	48	4	2	12	4	-		
SM1600 90mm Port	-	4	16	42	18	48	4	2	12	4	-		
SM1600 110mm Port	-	10	22	22	38	-	60	-	-	-	-		
SM1800	-	8	42	22	68	-	76	-	-	-	-		
SM2000	-	2	52	20	74	-	80	-	-	-	-		
SM2200 110mm Port	-	20	34	78	88		96						
SM2200 160mm Port	-	64	34	30	88	-	96	-	-	-	-		

SPDD Side Mount Deep Bed Commercial Filters

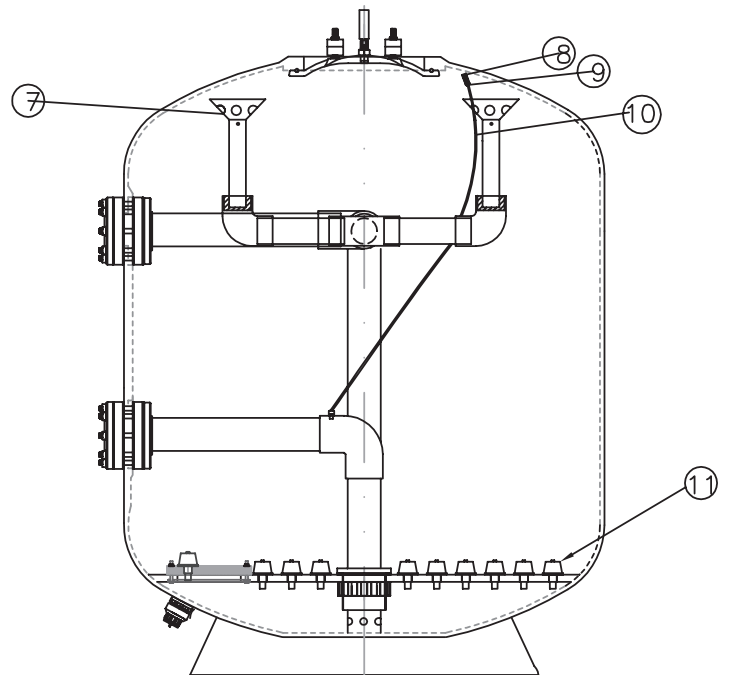
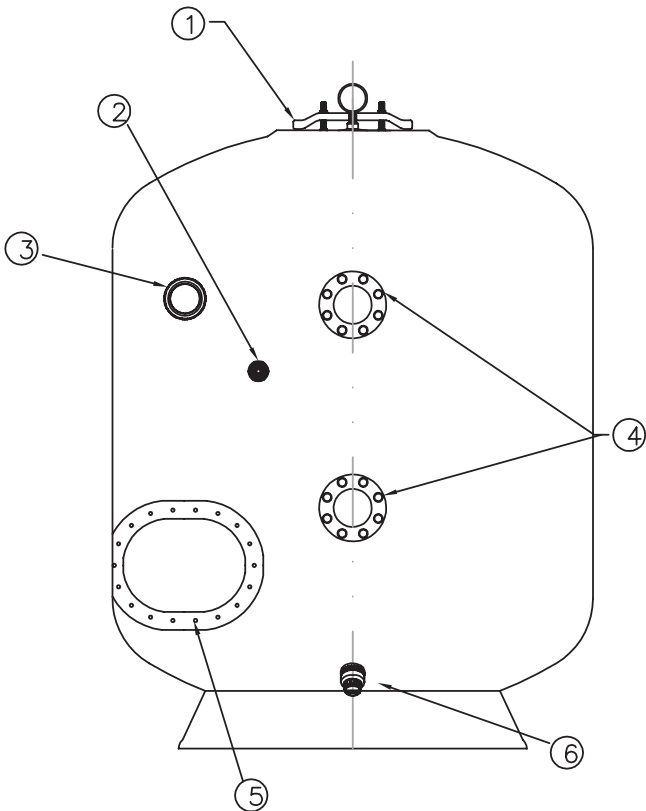
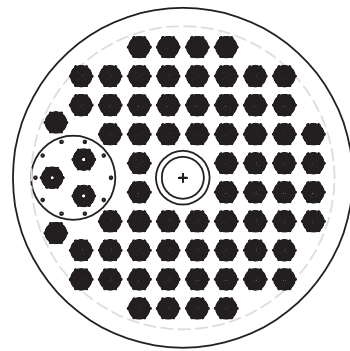
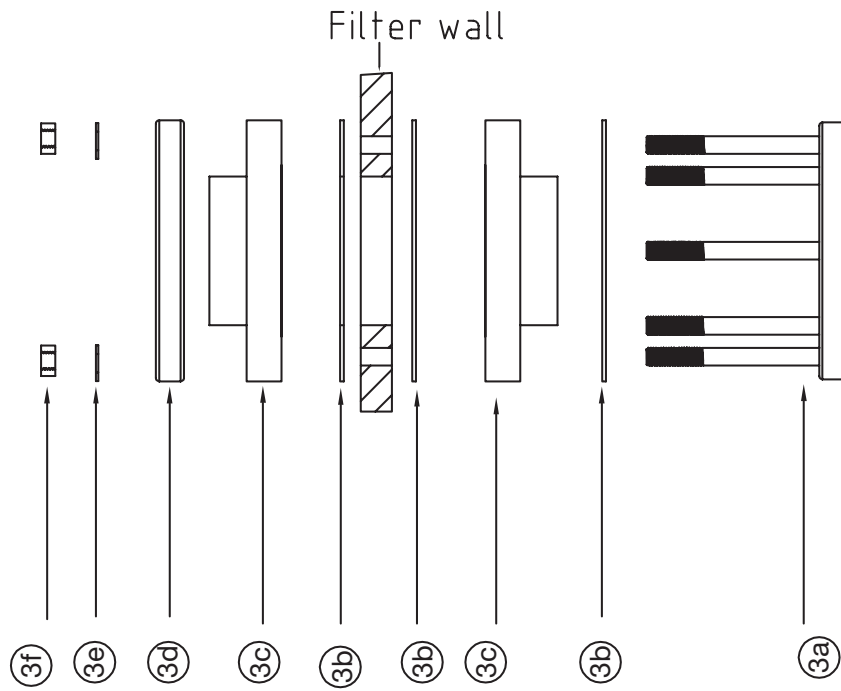
Part Number	Product Description	Nos.	Diagram No.	LIST PRICE
W12720	Man Hole Cover 4 Stud Complete		1	2,114.98 €
6209430	Lid Yoke Lacron (2 required)			155.56 €
620266 (W02536)	O Ring Manhole Cover Oval 4 Stud - Waterco			18.02 €
634080BLK	Union Black (2 required)			44.32 €
6340801	Half Union Black (2 required)			93.52 €
W02249	O B/U 90mm			10.47 €
W02553	O B/U 110mm			27.60 €
62380	Sight Glass 3" Complete (Post 2008)	3		63.10 €
W12132	Sight Glass 3" Acrylic Cap (Pre 2008)	3		301.66 €
W12299	Side Manhole Cover 18 Hole Oval	5		845.41 €
W12050FG	Side Hatch Round 200mm	5		337.91 €
W12300	Gasket for Side Manhole Oval 18 Hole	5		53.23 €
W12216	O Ring G210 for Side Hatch Round 200mm	5		14.29 €
W02026BLK	Drain Plug complete 15mm	6		115.58 €
W04058BLK	Drain Plug complete 40mm	6		115.58 €
6209305	Drain Plug complete 50mm	6		64.60 €
620936	Drain Plug Assembly Connector 1" BSPT			56.71 €
W02066	Funnel For Port Size 3" & 4" (90mm & 110mm) (4 required) & 50mm	7		15.85 €
621013	Funnel for Port Size 6" (160mm) (4 required)	7		91.31 €
W02289	Air Relief Tube Screen	8		6.94 €
85251	Gulfstream Plug (2 required)			1.23 €
1547	Filter Nozzle			22.45 €
	Numbers of nozzles required for model:-			
	SPDD1050 (80mm port) - 59 required			
	SPDD1200 (80mm port) - 71 required			
	SPDD1400 (100mm port) - 101 required			
	SPDD1600 (100mm port) - 139 required			
	SPDD1800 (150mm port) - 187 required			
	SPDD2000 (150mm port) - 207 required			
	SPDD2200 (150mm port) - 263 required			
	SPDD2350 (150mm port) - 317 required			

For pressure gauges - see page 14 of main price list

* For diagram and flange fittings please see next page

Part Number	Product Description	Nos.	Diagram No.	Port Size
W22634	Flange Stud Ring	2	3a	3"
W22139		2		4"
W22140		2		6"
1216801	Gasket Flange	6	3b	3"
63453063		6		4"
W02251		6		6"
1216803	PVC Flange	4	3c	3"
12161004		4		4"
W12540		4		6"
W22633	Flange Clamp Ring	2	3d	3"
W22141		2		4"
W22142		2		6"
W12126	Washer SS304	8	3e	3"
W12126		16		4"
W12539		16		6"
W12912	Hex Nut SS304	8	3f	3"
W12912		16		4"
W12910		16		6"

SPDD Side Mount Deep Bed Commercial Filters



Micron Horizontal Commercial Sand Filters

Part Number	Product Description	M Series	MD Series	Diagram No.	LIST PRICE
W24319	Manhole Cover 600 Oval MK2 Complete			1 2	1,675.31 €
W12557	Manhole Cover 4-Stud Oval Pewter Complete	1		2	1,005.86 €
W22110	Nut Hex M22 S/S304		8	3	4.51 €
W12127	Nut Hex M16 S/S304	4		3	11.26 €
W22109	Washer M22 Full Face SS304		8	4	1.19 €
W12126	Washer M16 Full S/304	8		4	1.67 €
W24321	Manhole Cover Clamp 600mm Hole 24mm		2	5	204.61 €
6209430	Lid Yoke Lacron	2		5	155.56 €
W12324	Hex Thin Nut S/S M16	4		6	17.68 €
W12114	Manhole Cover 600mm O-Ring 674 x 534 x 12		1	7	39.83 €
W12304	O-Ring M/H Cover 4-Stud Lacaron L2611	1		7	75.67 €
W24320	Manhole Cover 600mm Oval 24mm Hole		1	8	679.45 €
W12558	Manhole Cover 4-Stud Oval Pewter	1		8	425.64 €
W22118L	Sand Drain 90mm Long Complete		1	9	122.63 €
W02253BLK	B/U Locking Nut 90mm Black		1	10	10.00 €
W22117	Sand Drain Cap 90mm		1	11	71.49 €
W02249	O-Ring 90mm BU EDPM		1	12	10.47 €
W02254B	Bulkhead Lock Nut 90mm Black		1	13	5.85 €
W02250	Gasket 90mm Bulkhead Rubber		1	14	12.06 €
W02252BL	Bulkhead Threaded Body 90mm Black Long		1	15	22.63 €
6209305	Drain Plug 50mm Complete Black		1	16	64.60 €
W04058BLK	Drain Plug Complete 50mm Black	1		16	115.58 €
W02270BLK	Drain Plug End Cap 50mm Black	1	1	17	6.60 €
W02267	Drain Plug 50mm "O" Ring	1	1	18	4.77 €
W02971	Drain Plug Body 63mm Black		1	19	5.95 €
W02269BLK	Drain Plug Body 50mm Black	1		19	5.24 €
W02280	O Ring 63mm B/U Nitrile		1	20	3.87 €
W02213	O Ring 50mm B/U EPDM	1		20	5.03 €
620921	Lateral Waterco 75mm	1	1	21	4.53 €
6209251	Lateral End Cap Screw	1	1	22	0.40 €
W02567	Bulkhead Locking Ring 63mm BLK		1	23	16.79 €
W02271BLK	Bulkhead Locknut 50mm Black	1		23	6.11 €
W02080	Gasket 100 x 81 x 3mm Rubber		1	24	18.17 €
W02268	Gasket 50mm Bulkhead	1		24	11.48 €
W02970	Bulkhead Threaded Body 63mm Long Black		1	25	9.02 €
W02272BLK	Bulkhead Threaded Body 50mm Black	1		25	4.76 €
W32284	Gland Nut Screw PG7	1	1	26	22.57 €
W32283	Gland Nut Stud	1	1	27	18.47 €
W32286	Air Bleed Rigid PVC Black	2.5	2.5	28	2.93 €
85251	Gulfstream Plug	1	1	29	1.23 €
W02289	Air Relief Tube Screen	1	1	30	6.94 €

For pressure gauges - see page 14 of main price list

	Funnel				Lateral Under Drain				
Part No:	W22224	W02214	620921	620922	620923	620924	6209251	W22540	W22539
Description	Funnel Plastic 3" Hydrodome	UWL Screw #8 x 5/8 S/S	75mm	110mm	145mm	200mm	End Cap Screw	Lateral Socket 11/2 BSP x 25mm PVC	TEE Lateral Thread x 25mm PVC
M2500 (T-Style, Post 2011)	3	9	-	4	-	64	34	16	16
M3750 150mm (T-Style, Post 2011)	6	18	-	-	6	134	70	34	34
M5000 (T-Style, Post 2011)	10	30	-	-	6	134	70	34	34
MD5000 (T-Style, Post 2011)	5	15	28	12	26	72	38	18	18
MD5500 6" (T-Style, Post 2011)	6	18	36	-	38	76	38	18	18
MD5500 8" (T-Style, Post 2011)	6	18	28	-	30	60	30	14	14
MD6500 8" (T-Style, Post 2011)	6	18	36	-	38	76	38	18	18
MD8000 (T-Style, Post 2011)	8	24	52	-	58	116	58	28	28
MD10000 (T-Style, Post 2011)	10	30	-	68	70	140	70	34	34
Flange Inner Stud Ring 10" ANSI SS316									2

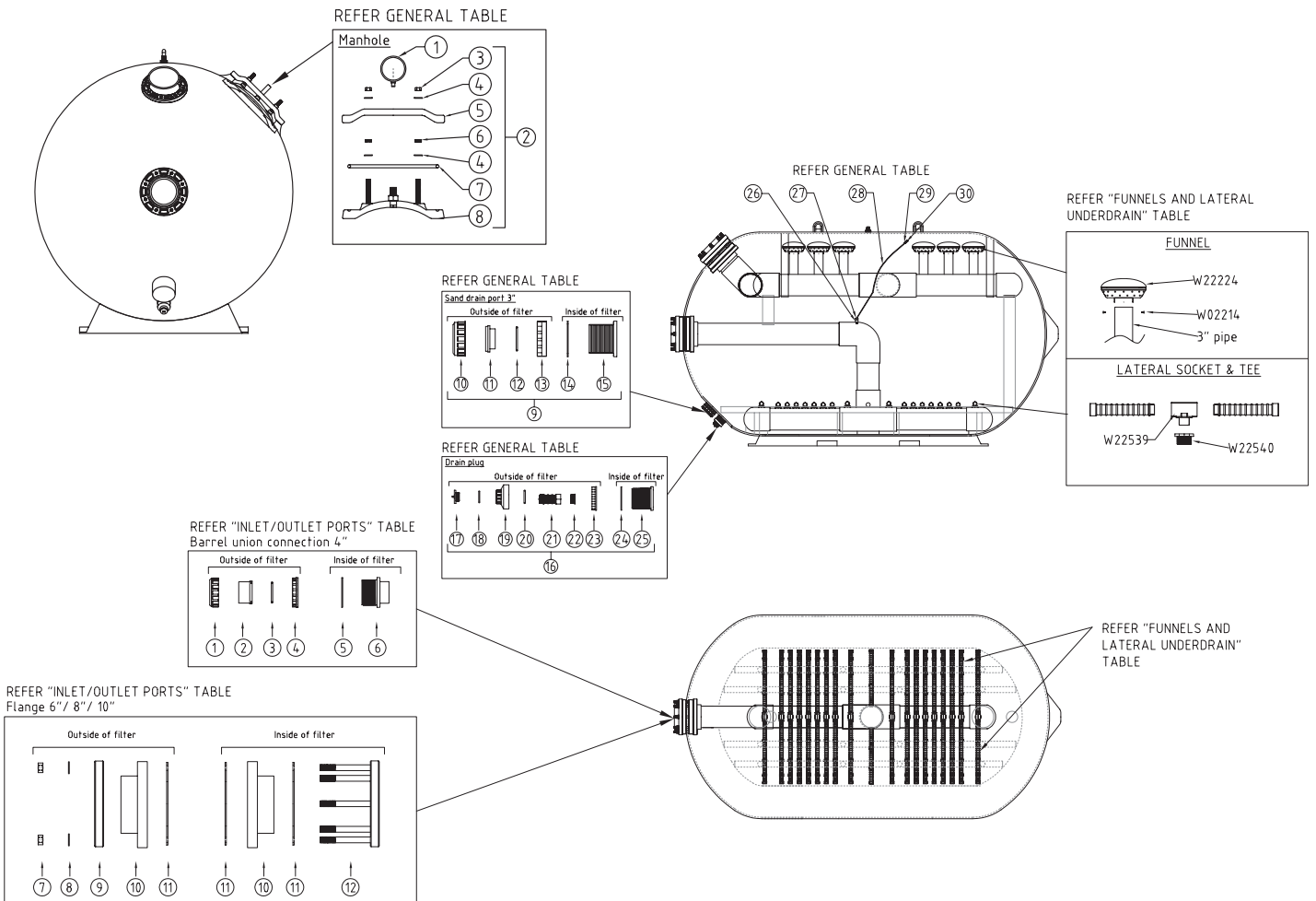
Micron Horizontal Commercial Sand Filters

Inlet / Outlet	Part No:	Description	M2500 (T-Style, Post 2011)
Barrel Union Connection 4"	12221009	Barrel Union Lock Nut 100mm Black	2
	12221011	Barrel Union Plain End 100mm Black	2
	W02553	O Ring 100mm B/U Nitrile	2
	12221006	Bulkhead Lock Nut 100mm Black	2
	W02539	Gasket 100mm Bulkhead	2
	12221007	Bulkhead Body 100mm Black	2

Inlet / Outlet	Part No:	Description	M3750 150mm (T-Style, Post 2011)	M5000 (T-Style, Post 2011)	MD5000 (T-Style, Post 2011)	MD5500 6" (T-Style, Post 2011)
Flange 6"	W12910	Nut Hex 3/4" BSW SS304	16	16	16	16
	W12539	Washer M20 x 50mm x 3mm Flat S/S304	16	16	16	16
	W22142	Flange Clamp Ring 6"	2	2	2	2
	W22545	PVC Flange 6" ANSI SCH80 Vanstone NSF	6	4	4	4
	W02251	Gasket HRZ Filter 280 x 4.5mm	6	6	6	6
	W22140	Flange Inner Stud Ring 6" ANSI	2	2	2	2

Inlet / Outlet	Part No:	Description	MD5500 8" (T-Style, Post 2011)	MD6500 8" (T-Style, Post 2011)	MD8000 (T-Style, Post 2011)
Flange 8"	W12910	Nut Hex 3/4" BSW SS304	16	16	16
	W12539	Washer M20 x 50mm x 3mm Flat S/S304	16	16	16
	W22343	Flange Clamp Ring 8"	2	2	2
	W22936	PVC Flange 8" SCH80 Vanstone NSF	4	4	4
	W12147	Gasket Flange PVC 343 x 5mm	6	6	6
	W22342	Flange Inner Stud Ring 8" ANSI	2	2	2

Inlet / Outlet	Part No:	Description	MD10000 (T-Style, Post 2011)
Flange 10"	W22959	Hex Nut 7/8" UNC SS316	24
	W22960	Washer 7/8" UNC SS316	24
	W22963	Flange Clamp Ring 10"	2
	W22877	PVC Flange 10" SCH80 Vanstone NSF	4
	W22228	Gasket Flange 10" ANSI	6
	W22962	Flange Inner Stud Ring 10" ANSI SS316	2



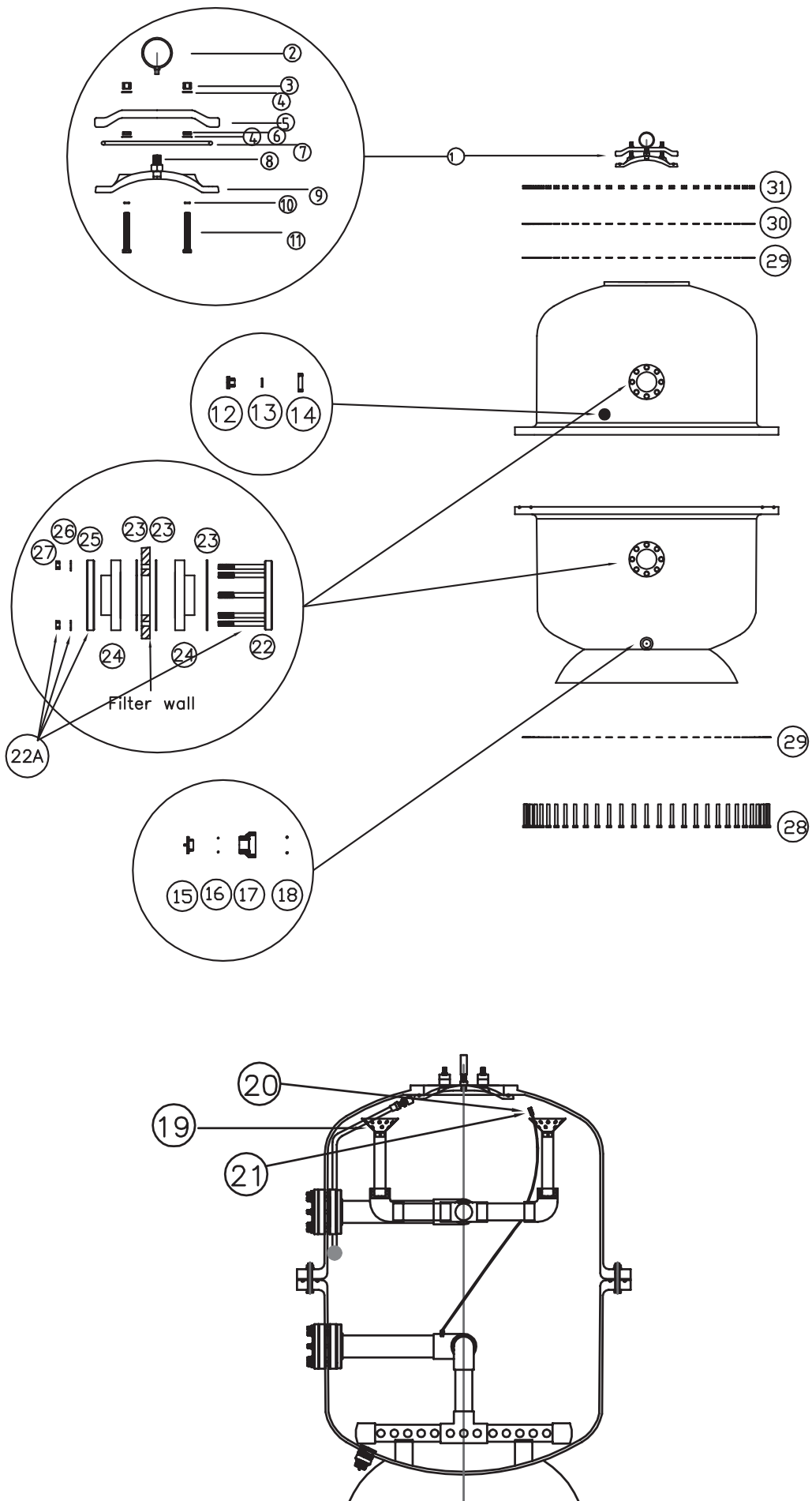
Hydron Split Tank Filter

Product Codes: 23912008014, 223914008014, 223916008014, 223918008014

Part Number	Product Description	Diagram No.	LIST PRICE
W12720	Manhole cover 4 stud complete	1	2,114.98 €
W12127	Hex nut M16 (4 Req.)	3	11.26 €
W12126	Washer M16 s/s304 (8 Req.)	4	1.67 €
6209430	Lid yoke Lacron (2 Req.)	5	155.56 €
W12324	Hex thin nut (4 Req.)	6	17.68 €
W12723	O-ring Manhole Cover Oval 4-stud	7	54.03 €
W12724	s/s screw 1" BSW male 1/4" BSP Female thread	8	198.83 €
W12722	Manhole Oval 4 stud	9	820.77 €
W12301	O-ring BS113 (4 Req.)	10	0.44 €
W12125	Hex Bolt (4 Req.)	11	29.45 €
W22348	End Plug 3/4" BSP	12	24.01 €
72591213	o-ring BS213	13	1.34 €
W22349	Lock nut 1 1/2" BSP	14	22.44 €
W02270BLK	Drain Plug 40mm Cap	15	6.60 €
W02267	Drain Plug o-ring 40mm	16	4.77 €
W02269BLK	Drain Plug Body 40mm	17	5.24 €
W02213	o-ring B/U 40mm	18	5.03 €
W02066	Funnel for side mount filters (3" & 4" / 90mm & 110mm)	19	15.85 €
621013	Funnel for side mount filters (6" /160mm)	19	91.31 €
W02289	Air relief tube screen	20	6.94 €
85251	Gulfstream plug (2 Req.)	21	1.23 €
W22161	Steel flange 3" port	22A	389.93 €
W22139	Inner flange stud ring 4" port (2 Req.)	22	367.69 €
W22140	Inner flange stud ring 6" port (2 Req.)	22	473.15 €
1216801	Flange Gasket 3" (6 Req.)	23	9.39 €
63453063	Flange Gasket 4" (6 Req.)	23	44.74 €
W02251	Flange Gasket 6" (6 Req.)	23	43.83 €
1216803	PVC Stud flange 3" (2 Req.)	24	161.78 €
12161004	PVC Stud flange 4" (2 Req.)	24	168.30 €
W12540	PVC Stud flange 6" (2 Req.)	24	223.02 €
W22141	Flange clamp ring 4"	25	59.16 €
W22142	Flange clamp ring 6"	25	63.70 €
W12126	Washer M16 Full face (3" & 4") (16 Req.)	26	1.67 €
W12539	Washer M20x40x3 (6") (16 Req.)	26	4.13 €
W12912	Hex nut (3" & 4") (16 Req.)	27	8.92 €
W12910	Hex nut (6") (16 Req.)	27	8.92 €
W12090	Bolt 3/4" BSW x 5.5" THRD 50mm	28	97.35 €
	60 Req. for 1200 & 1400 72 Req. for 1600 90 Req. for 1800		
W12539	Washer -flat	29	4.13 €
	120 Req. for 1200 & 1400 144 Req. for 1600 180 Req. for 1800		
W22422	Spring washer M20	30	1.83 €
	60 Req. for 1200 & 1400 72 Req. for 1600 90 Req. for 1800		
W12910	Hex Nut 3/4"BSW SS304	31	8.92 €
	60 Req. for 1200 & 1400 72 Req. for 1600 90 Req. for 1800		

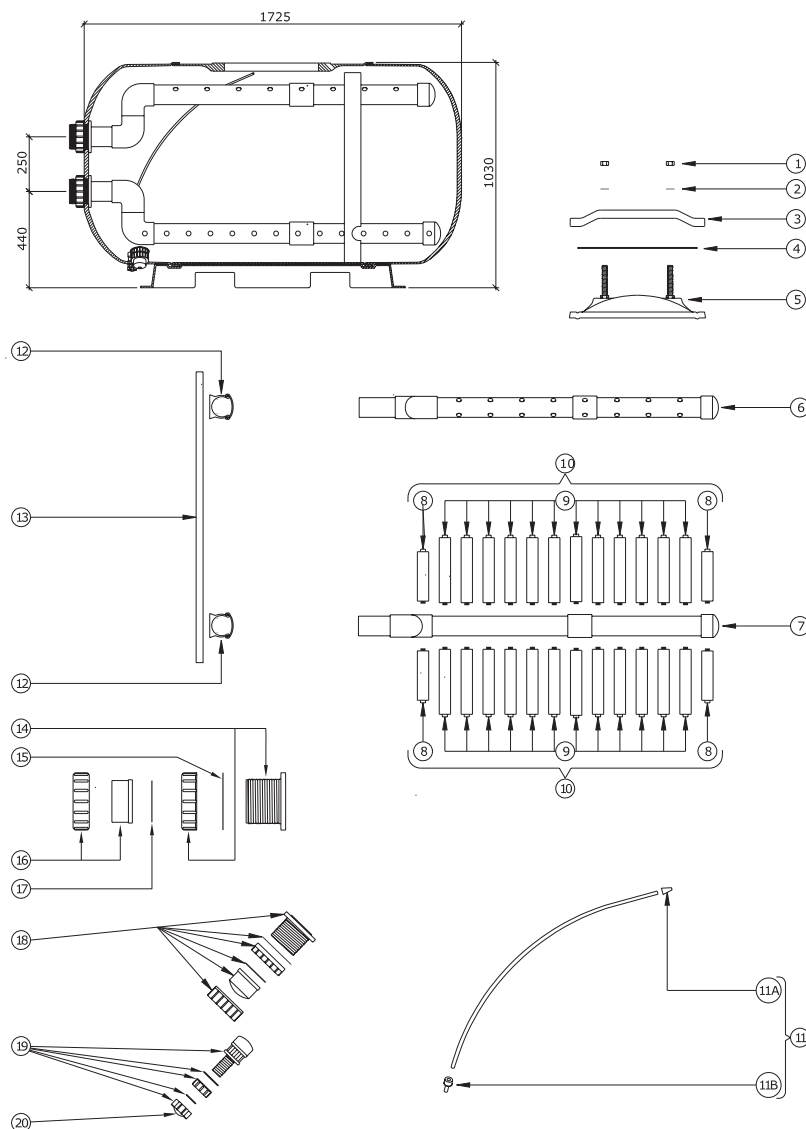
For pressure gauges - see page 14 of main price list

Hydron Split Tank



Lacron HZC-36

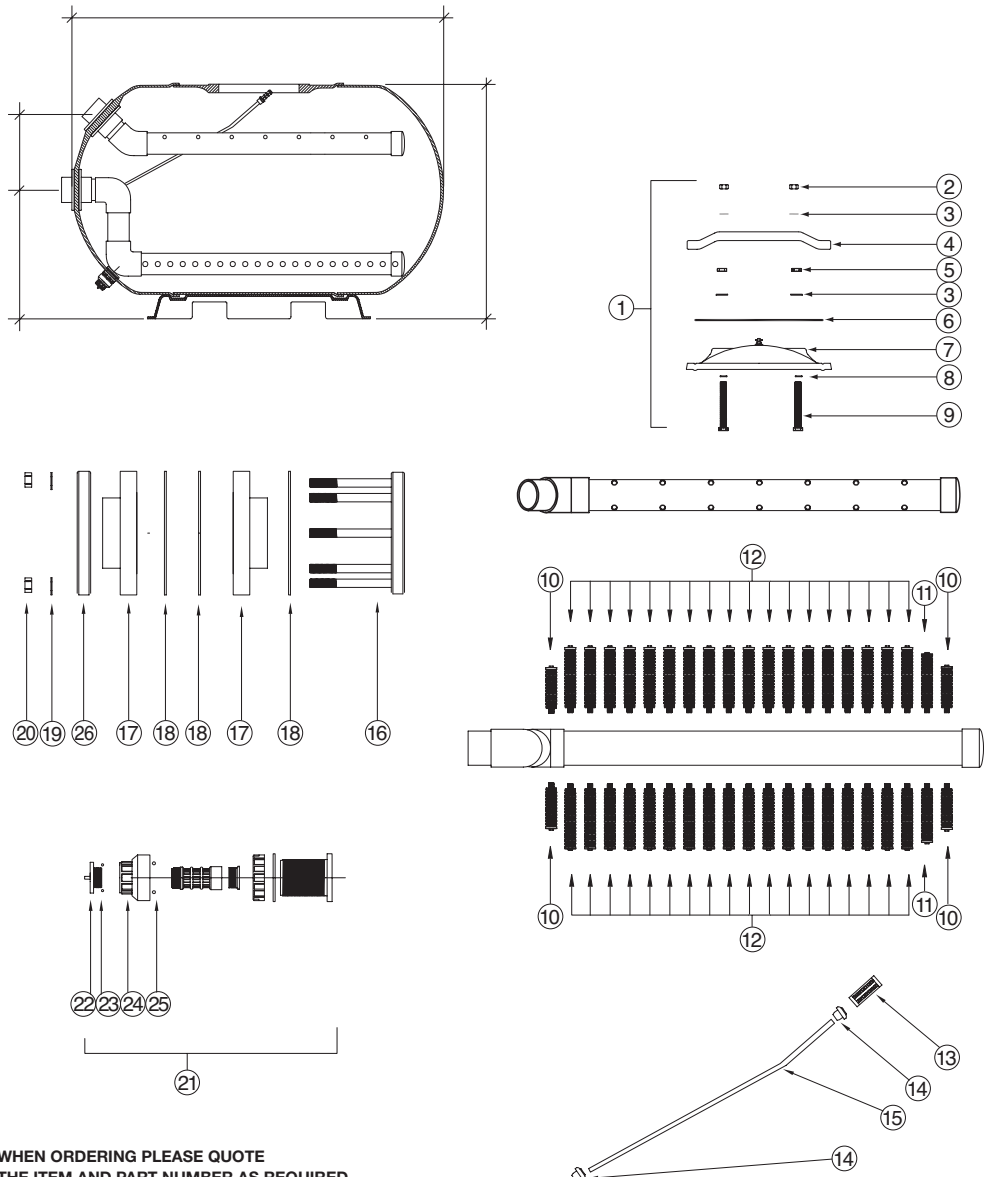
Part Number	Product Description	Diagram No.	LIST PRICE
1762	M16 S/S Hex Nut	1	4.53 €
1769	M16 S/S Washer (Pack Of 5)	2	9.14 €
6209430	Lacron Lid Yoke Each	3	155.56 €
W12304	Lacron Oval Lid 'O' Ring (Old Square)	4	75.67 €
620266 (W02536)	Lacron Oval Lid 'O' Ring (New Round)	4A	18.02 €
W12722	Lacron 4 Stud Oval Lid	5	820.77 €
W12308	Manhole Lid 4 Stud Complete With Yoke, Nuts, Bolts 'O' Ring	1 to 5	863.52 €
1387F	HZC 36 Header Assy Complete	6	680.65 €
1387E	HZC 36 Underdrain Assy Complete	7	767.68 €
1319	Heavy Duty Laterals 206mm (X 4 required per filter)	8	30.12 €
1320	Heavy Duty Laterals 238mm (X 24 required per filter)	9	33.92 €
1387J	Heavy Duty Lateral Set Complete	10	840.79 €
17104A	HZC 36 Airbleed Assy Complete	11	67.01 €
W12045	Airbleed Cap	11A	5.65 €
1474	1/4" Airbleed Adaptor Fixing	11B	29.24 €
2613	3" Pipe Clamp Set Complete (Each)	12	20.72 €
2618	1 M Variable Brace Bar	13	92.61 €
62096017HBG	3" Bulkhead & Nut	14	67.77 €
1560	3" Bulkhead Gasket (Set Of 2)	15	24.13 €
6018 (W02253BLK / W02255BLK / W02255EBLK)	3"/90mm Adaptor Union (Plus Sleeve) 'O' Ring Type	16	55.80 €
6020	3"/90mm Adaptor Gasket (Set Of 2) Pre 2007	17	20.35 €
6302550-HBG	3"/90mm Adaptor o ring (Set Of 2) Post 2007	17	20.15 €
W04058BLK	Drain plug complete 40mm black	18	115.58 €
620960015HBG	Drain Plug Complete	19	16.59 €



Lacron HZC-42

Product Code: 222942423

Part Number	Product Description	Diagram No.	LIST PRICE
W12303	Manhole Cover 4-Stub Oval Lido Blue Complete	1	863.52 €
W12127	Nut Hex M16 S/S304	2	11.26 €
W12126	Washer M16 S/S304	3	1.67 €
6209430	Lid Yoke Lacron	4	155.56 €
W12324	Hex Thin Nut S/S M16	5	17.68 €
W12304	O-Ring M/H Cover 4-Stub Lacron L2611A	6	75.67 €
W12772 (W14896)	Manhole Cover 4-Stub w Air Relief Valve	7	POA
W12301	ORing BS113	8	0.44 €
W12125	Bolt Hex Full Thread M16 x 120 S/S304	9	29.45 €
W12232	Heavy Duty Candle 206mm L1319 (4 required per filter)	10	30.12 €
W12229	Heavy Duty Candle 268mm L1275 (2 required per filter)	11	37.67 €
W12230	Heavy Duty Candle 300mm L1277 (36 required per filter)	12	38.45 €
W02289	Air Relief Tube Screen	13	6.94 €
85251	Gulfstream Plug	14	1.23 €
W02558	Air Bleed Tube (1m length)	15	18.28 €
W22139	Flange Stud Ring 4" ANSI	16	367.69 €
12161004	PVC Stud Flange 4" ANSI (gf-PP Ring)	17	168.30 €
63453063	Flange Gasket 4" ANSI	18	44.74 €
W12126	Washer M16 Full S/S304	19	1.67 €
W12912	Nut Hex 5/8" BSW SS304	20	8.92 €
W04058BLK	Drain Plug Complete 40mm Black	21	115.58 €
W02270BLK	Drain Plug End Cap 40mm Black	22	6.60 €
W02267	Drain Plug 40mm O-Ring	23	4.77 €
W02269BLK	Drain Plug Body 40mm Black	24	5.24 €
W02213	O-Ring 40mm B/U EPDM	25	5.03 €
W22141	Flange Clamp Ring 4" ANSI	26	59.16 €

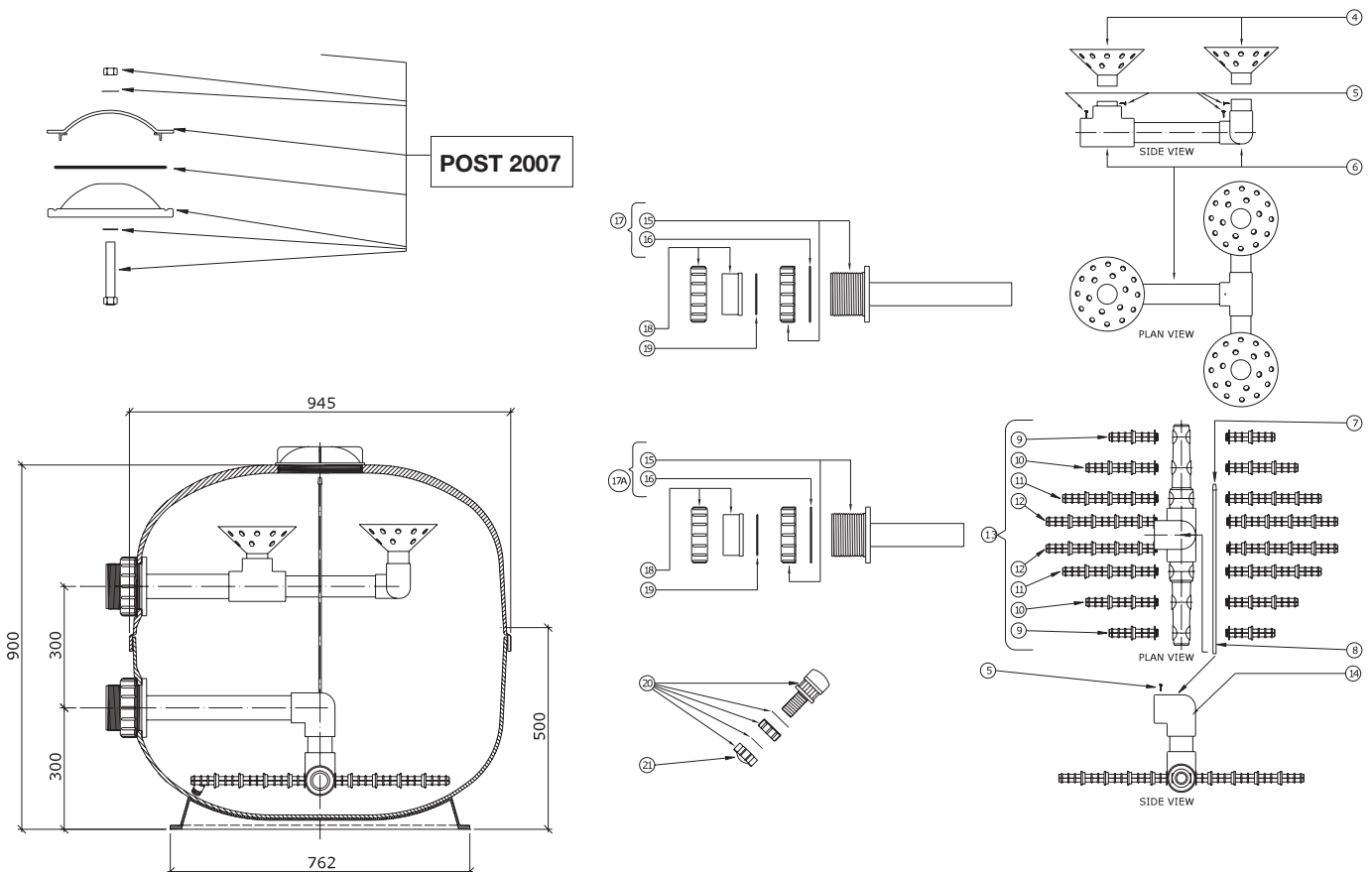


WHEN ORDERING PLEASE QUOTE
THE ITEM AND PART NUMBER AS REQUIRED

Lacron LSC-36"- 3" Ports

Product Code: 22037

Part Number	Product Description	Diagram No.	LIST PRICE
1671	3/4" Self Tap Screw (Pack Of 10)	5	9.50 €
W02289	Air Relief Tube Screen	7	6.94 €
W04058BLK	40mm Drain Plug Complete	20	115.58 €
17104	36" Lacron Airbleed (840mm)	8	19.38 €
W12292	36" - 3" Header (Less Rose)	6	342.78 €
W02066	Rose Distributor (Funnel For SM)	4	15.85 €
W02249	O Ring For 3" / 90mm Half Union	19	10.47 €
634080EBLK	Half Union 90mm metric c/W O Ring	18+19	33.84 €
62096017HBG	Bulkhead 3" Bulkhead Fitting (Plus Nut)	15	67.77 €
W12295	Underdrain Complete Less Candles	14	357.82 €
62096007HBG	120mm Lateral (Candle) (X 4 required per filter)	9	14.98 €
62096008HBG	180mm Lateral (Candle) (X 4 required per filter)	10	14.99 €
62096009HBG	240mm Lateral (Candle) (X 4 required per filter)	11	18.07 €
62096010HBG	280mm Lateral (Candle) (X 4 required per filter)	12	20.11 €
85251	Gulf Stream Plug	n/s	1.23 €
W04854	36" Base Stand	n/s	234.01 €
6018 (W02253BLK / W02255BLK / W02255EBLK)	half union 3" imperial c/w o ring	18+19	55.80 €
6020	3"/90mm Adaptor Gasket (Set Of 2) Pre 2007	19	20.35 €
W02026BLK	Drain Plug Complete 15mm	20	23.02 €
W04058BLK	Drain plug complete 40mm	20	115.58 €
For filters supplied prior to Clamp Style Lid			
6012 (1304A)	Lacron Lid Removal Tool (8" New Type)		68.92 €
62092920HBG	Lacron Lid (Polycarbonate 8" New Type)		105.19 €
621053HBG	Lacron Lid 'O' Ring		17.84 €
Post 2007 'Clamp Lid'			
W12076	Nylon Air Relief Tap + 'O' Ring		16.69 €
W12248	Lid Retaining Clamp C/W Screw & Nut		174.44 €
W02933	Small Oval Lid O Ring		22.59 €
W12135	Small Oval Lid		182.32 €



Lacron LSC-42

Product Code: 222042

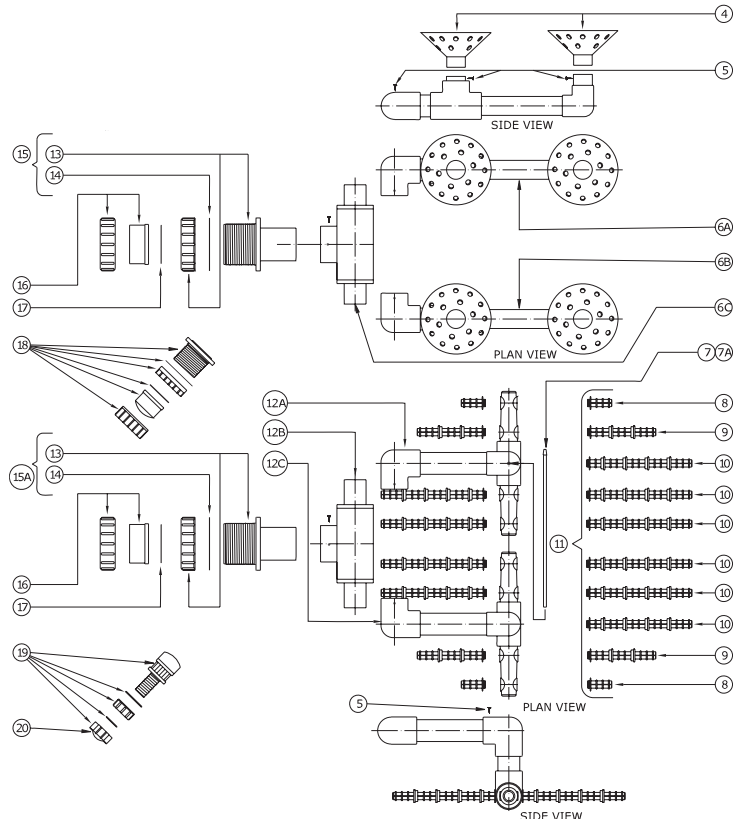
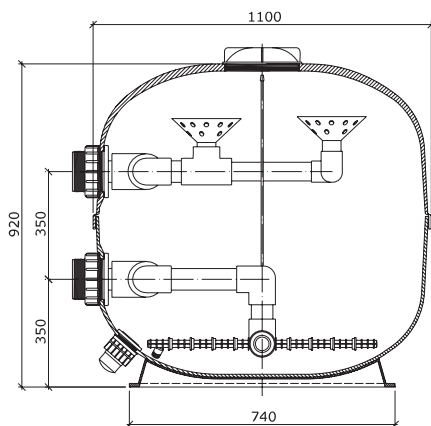
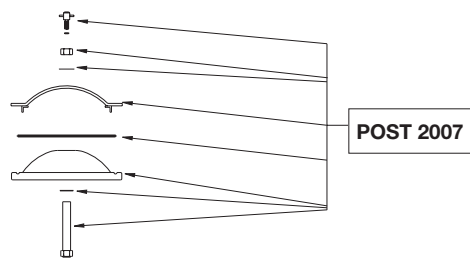
Part Number	Product Description	Diagram No.	LIST PRICE
85251	Gulf Stream Plug	n/s	1.23 €
W02066	Rose Distributor	4	15.85 €
1671	3/4" Self Tap Screw (Pack Of 10)	5	9.50 €
1372 (W22204)	42" Lhs Header (Less Rose)	6A	140.13 €
1372A (W22746)	42" Rhs Header (Less Rose)	6B	140.13 €
1372B (W12287)	42" Main Header 'T'	6C	197.40 €
W12045	Air Bleed Cap. Also order 1 x 85251 Rubber Grommit @ 0.85	7	5.65 €
17105	42" Lacron Airbleed	7A	20.63 €
W02984 (62096006HBG)	60mm Lateral (Candle) (X 4 required per filter)	8	POA
62096008HBG	180mm Lateral (Candle) (X 4 required per filter)	9	14.99 €
62096010HBG	280mm Lateral (Candle) (X 12 required per filter)	10	20.11 €
1396	Lateral (Candle) Set	11	331.06 €
1371 (W12288)	42" Lhs Underdrain (Less Candles)	12A	167.98 €
1371B (W12289)	42" Main Underdrain 'T' & Con Pipe	12B	POA
1371A (W12290)	42" Rhs Underdrain (Less Candles)	12C	167.98 €
62096017HBG	3" Bulkhead Fitting (Plus Nut)	13	67.77 €
6019 (1560)	3" Bulkhead Gasket (Set Of 2)	14	24.13 €
1525A	42" - 3" Bulkhead Fitting (Top)	15	80.42 €
1525B	42" - 3" Bulkhead Fitting (Bottom)	15A	82.86 €
6018 (W02253BLK / W02255BLK / W02255EBLK)	3"/90mm Adaptor Union (Plus Sleeve) 'O' Ring Type	16	55.80 €
6020	3"/90mm Adaptor Gasket (Set Of 2) Pre 2007	17	20.35 €
6302550-HBG	3"/90mm Adaptor 'O' Ring (Set Of 2) Post 2007	17	20.15 €
W04058BLK	Sand Drain Complete 40mm	18	115.58 €
620960015HBG	Drain Plug Complete	19	16.59 €
W02270BLK	Drain Plug Cap 40mm	20	6.60 €
W04846	42" Base Stand	n/a	249.47 €

For filters supplied prior to Clamp Style Lid

6012 (1304A)	Lacron Lid Removal Tool (8" New Type)	68.92 €
62092920HBG	Lacron Lid (Polycarbonate 8" New Type)	105.19 €
621053HBG	Lacron Lid 'O' Ring	17.84 €

Post 2007 'Clamp Lid'

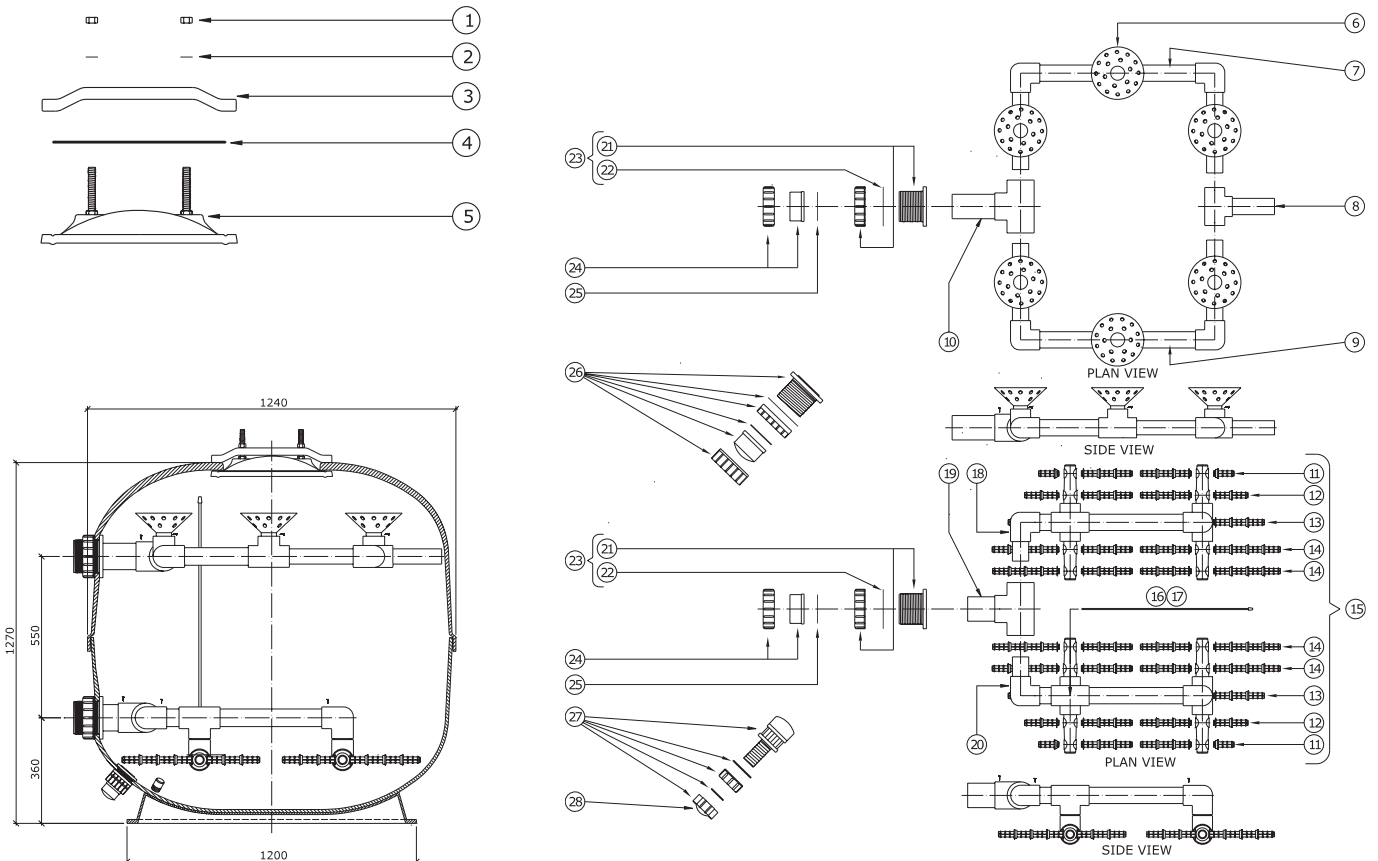
W12076	Nylon Air Relief Tap + 'O' Ring	16.69 €
W12248	Lid Retaining Clamp C/W Screw & Nut	174.44 €
W02933	Small Oval Lid O Ring	22.59 €
W12135	Small Oval Lid	182.32 €



Lacron LSC-48

Product Code: 222048

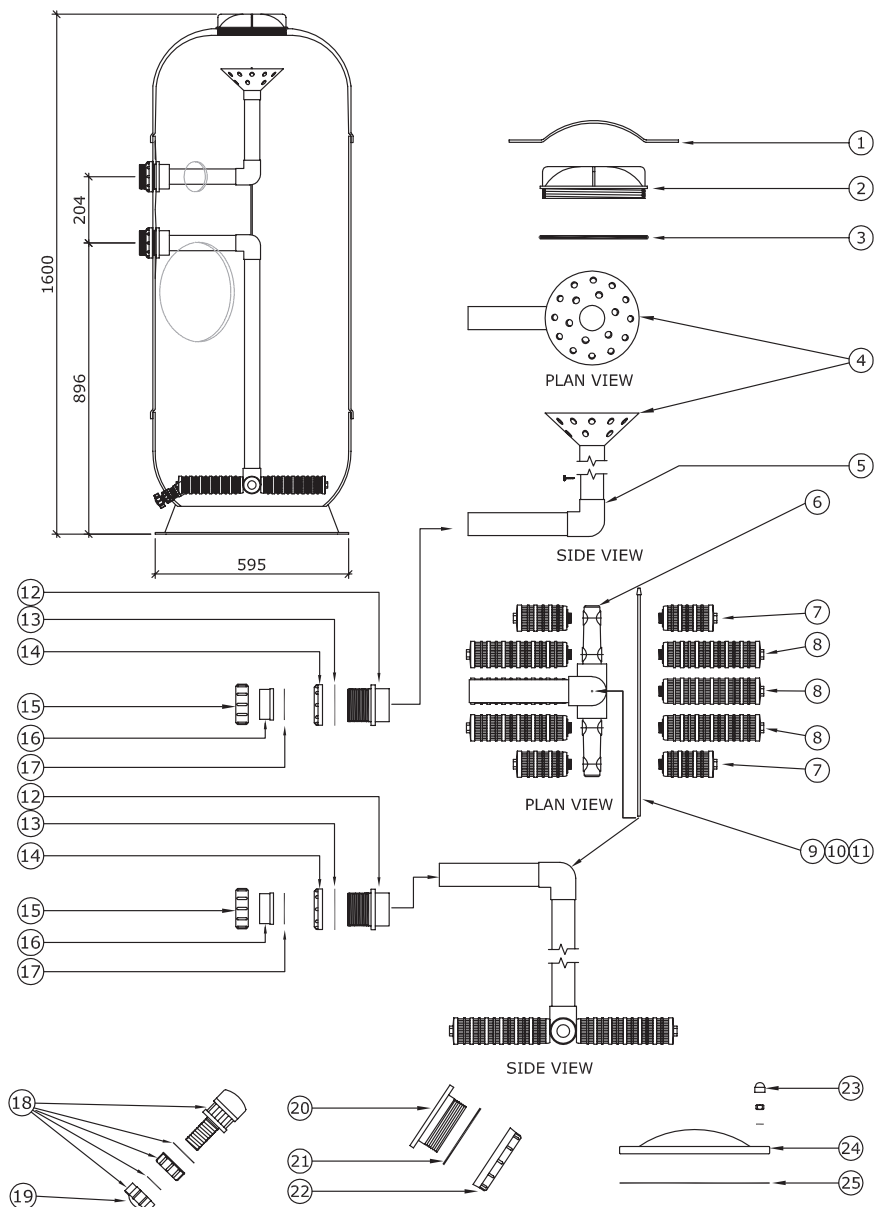
Part Number	Product Description	Diagram No.	LIST PRICE
W12076	Nylon Air Relief Tap + 'O' Ring	1	16.69 €
W12248	Small Oval Lid Retaining Clamp C/W Screw & Nut	3	174.44 €
W12284	Small Oval Lid 'O' Ring	4	22.60 €
W12135	Small Oval Lid	5	182.32 €
WO2066	Rose Distributor	6	15.85 €
W12344	48" LHS Header (Less Rose)	7	210.90 €
W12346	48" Main Header Pipe Support 'T'	8	18.29 €
W12345	48" RHS Header (Less Rose)	9	210.90 €
W12347	48" Main Header Pipe Inlet 'T'	10	222.24 €
WO2984 (62096006HBG)	60mm Lateral (Candle) (X 4 required per filter)	11	POA
62096007HBG	120mm Lateral (Candle) (X 4 required per filter)	12	14.98 €
62096008HBG	180mm Lateral (Candle) (X 24 required per filter)	13	14.99 €
62096009HBG	240mm Lateral (Candle) 9 X 8 required per filter)	14	18.07 €
1396A	48" Lacron Lateral (Candle) Set	15	331.08 €
W12045	Air Bleed Cap. Also order 1 x 85251 Rubber Grommit @ 0.85	16	5.65 €
17106	48" Lacron Airbleed (Set Of 2)	17	20.81 €
W12348	48" LHS Underdrain (Less Candles)	18	207.20 €
W12350	48" Main Underdrain 'T' & Con Pipe	19	259.91 €
W12349	48" RHS Underdrain (Less Candles)	20	207.20 €
62096017HBG	3" Bulkhead Fitting (Plus Nut)	21	67.77 €
6019	3" Bulkhead Gasket (Set Of 2)	22	24.13 €
1524C	48" - 3" Bulkhead Fitting Inc Pipe	23	92.29 €
6018 (WO2253BLK / WO2255BLK / WO2255EBLK)	3"/90mm Adaptor Union (Plus Sleeve) 'O' Ring Type	24	55.80 €
6020	3"/90mm Adaptor Gasket (Set Of 2) Pre 2007	25	20.35 €
6302550-HBG	3"/90mm Adaptor 'O' Ring (Set Of 2) Post 2007	25	20.15 €
WO4058BLK	Sand Drain Complete 40mm	26	115.58 €
620960015HBG	Drain Plug Complete 15mm	27	16.59 €
WO2270BLK	Drain Plug Cap 40mm	28	6.60 €
1671	3/4" Self Tap Screw (Pack Of 10)	29	9.50 €



Lacron MBF-24"

Product Code: 2220588

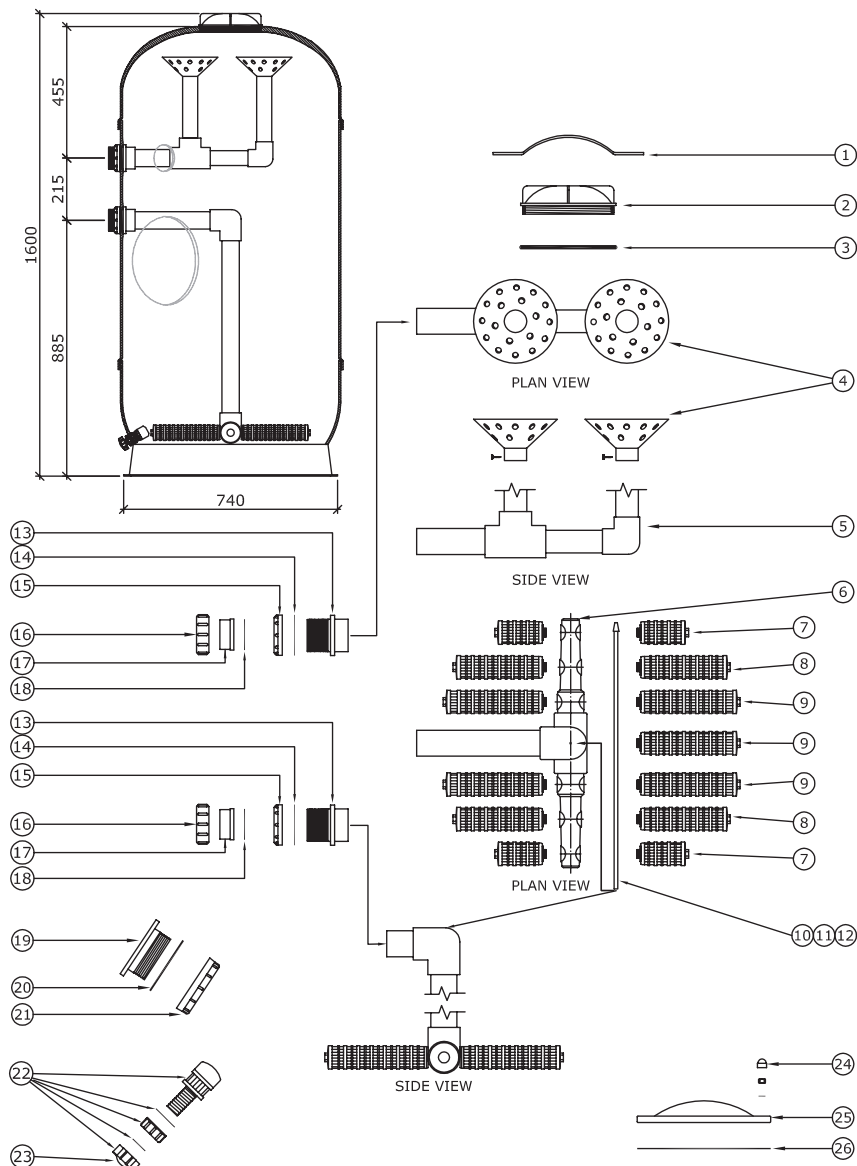
Part Number	Product Description	Diagram No.	LIST PRICE
W22235	Lid Tool	1	26.29 €
62092920HBG	8" Clear Lid	2	105.19 €
621053HBG	O-Ring for 8" Clear Lid	3	17.84 €
W02066	Rose Distributor	4	15.85 €
121340	Elbow 1 1/2" x 90 Deg	5	7.63 €
W12088	LCT Extension 1 1/2" x 2 Holes	6	9.83 €
1318 (W12231)	113mm Heavy Duty Lateral	7	18.86 €
1319 (W12232)	206mm Heavy Duty Lateral	8	30.12 €
W02550 (17131)	Air Bleed Tube 740mm	9	5.17 €
W02289	Air Relief Tube Screen	10	6.94 €
85251	Gulf Stream Plug	11	1.23 €
W02272BLK	Bulkhead Threaded Body 50mm Black	12	4.76 €
W02268	Gasket 50mm Bulkhead	13	11.48 €
W02271BLK	Bulkhead Locknut 50mm Black	14	6.11 €
W02209BLK	B/U Locking Nut 50mm	15	2.96 €
W02210BLK	B/UP / End 50mm Black	16	2.96 €
W02213	O-Ring 50mm B/U EPDM	17	5.03 €
W02026BLK	Drain Plug Complete 15mm	18	23.02 €
W02522C	Drain Plug Wing Nut 15mm	19	8.05 €
W22314	Sight Glass 50mm Moulded	20	22.44 €
W02080	Gasket 100 x 81 x 3mm Rubber	21	18.17 €
W02567	Bulkhead Locking Ring 50mm BLK	22	16.79 €
W12236	Cap Black M8 Nut Lacron L1766	23	1.55 €
W12050B	Lid 10-Hole black - without centre hole	24	POA
W12216	O-Ring G210 (5.7 x 209.3mm)	25	14.29 €



Lacron MBF-30"

Product Code: 2220598

Part Number	Product Description	Diagram No.	LIST PRICE
W22235	Lid Tool	1	26.29 €
62092920HBG	8" Clear Lid	2	105.19 €
621053HBG	O-Ring for 8" Clear Lid	3	17.84 €
W02066	Rose Distributor	4	15.85 €
121340	Elbow 1 1/2" x 90 Deg	5	7.63 €
W12089	LCT Extension 2" x 3 Holes	6	17.96 €
1318 (W12231)	113mm Heavy Duty Lateral (4 required per filter)	7	18.86 €
1319 (W12232)	206mm Heavy Duty Lateral (4 required per filter)	8	30.12 €
1320 (W12233)	237mm Heavy Duty Lateral (8 required per filter)	9	33.92 €
W02550	Air Bleed Tube 740mm	10	5.17 €
W02289	Air Relief Tube Screen	11	6.94 €
85251	Gulf Stream Plug	12	1.23 €
W12067	Bulkhead Body 2" Lacron 1268A	13	12.41 €
W12252	Gasket Bulkhead 2" Lacron L1521	14	8.44 €
W12066	Bulkhead Locking Nut 2" Lacron 1268A	15	12.41 €
W02982	B/U Locking Nut 2" Lacron 1270A	16	12.19 €
W02983	B/U Plain End S/S 2" Lacron 1270B	17	7.22 €
W12253	B/U Gasket 2" Lacron L1523	18	3.89 €
W22314	Sight Glass 50mm Moulded	19	22.44 €
W02080	Gasket 100 x 81 x 3mm Rubber	20	18.17 €
W02567	Bulkhead Locking Ring 50mm Blk	21	16.79 €
W02026BLK	Drain Plug Complete 15mm	22	23.02 €
W02522C	Drain Plug Wing Nut 15mm	23	8.05 €
W12236	Cap Black M8 Nut Lacron L1766	24	1.55 €
W12050B	Lid 10-Hole black	25	POA
W12216	O-Ring G210 (5.7 x 209.3mm)	26	14.29 €

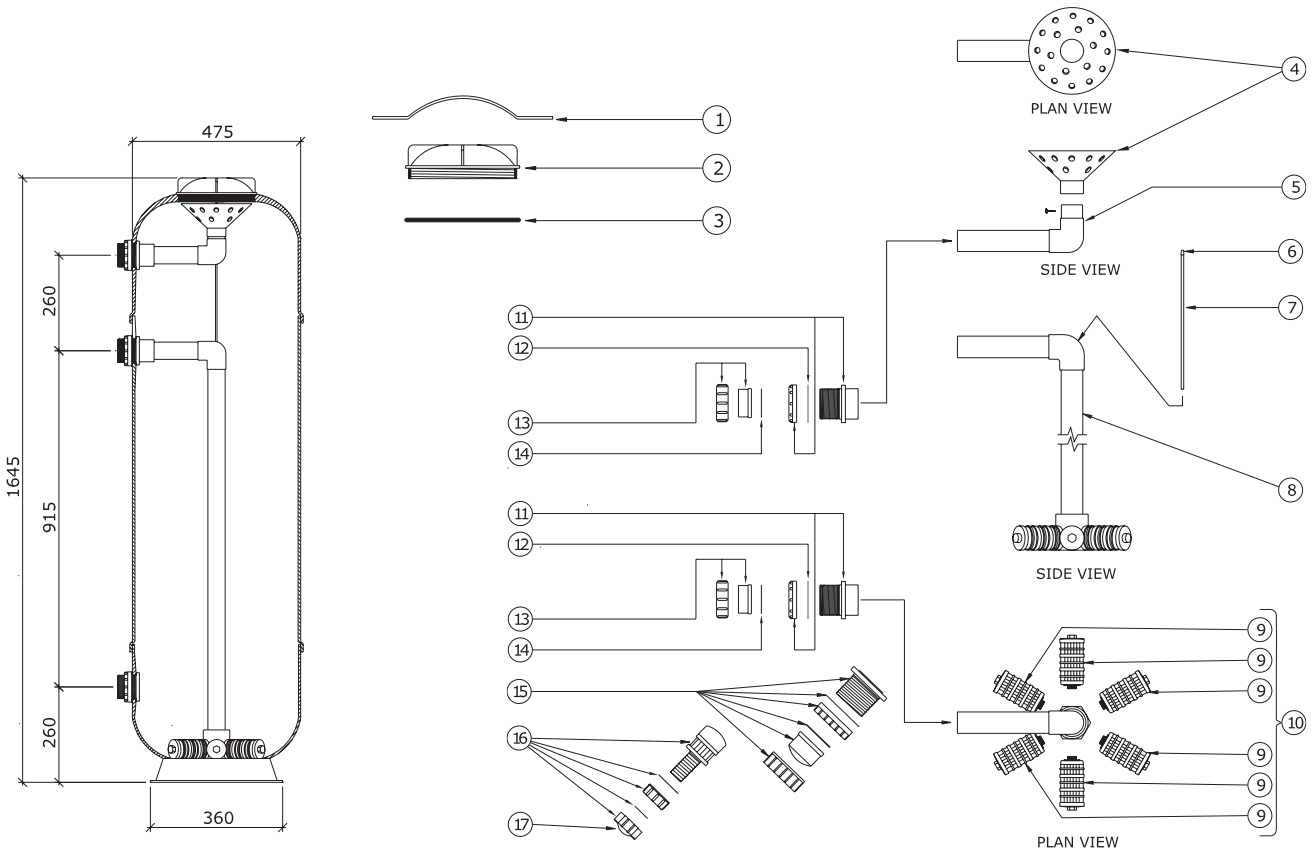


Lacron DBF-18"

Part Number	Product Description	Diagram No.	LIST PRICE
6012 (1304A)	Lacron Lid removal tool (new type - 8")	1	68.92 €
62092920HBG	Lacron Lid (new type 8")	2	105.19 €
621053HBG	Lacron Lid 'O' ring	3	17.84 €
W02066	Rose distributor	4	15.85 €
17160	18" x 1 1/2" Header (less rose)	5	327.01 €
W12045	Air bleed cap (old style)	6	5.65 €
17130	18" DBF airbled tube	7	18.28 €
1365 (W22217)	18" Underdrain (less candles)	8	POA
1318 (W12231)	113mm Heavy duty Lateral (candle) (X 6 required per filter)	9	18.86 €
1393B	18" DBF Lateral (candle) set	10	92.61 €
1222400HBG	1 1/2" Bulkhead fitting including nut	11	36.14 €
W02268HBG	1 1/2" Bulkhead gasket (set of two)	12	16.11 €
W02992-2HBG	1 1/2" Union adaptor & nut (set of 2)	13	31.88 €
W12332-2HBG	1 1/2" Union adaptor gasket (set of 2)	14	10.09 €
W04058BLK	1 1/2" Sand drain complete	15	115.58 €
620960015HBG	Drain plug complete	16	16.59 €
W02522C	Drain plug cap only	17	9.63 €
1671	3/4" S/S self tapping screw (set of 10)	18	9.50 €
W12050SB	Side Hatch Cover		POA
W12216	Side Hatch Cover 'O' Ring		14.29 €
POST 2004			
W32554-2HBG	1.5 Union Adaptor Nut and Sleeve (Set of 2)		31.88 €
W32702-HBG	1.5" Union adaptor 'O' Ring (set of 2)		10.05 €
CLAMP LID			
W12076	NYLON AIR RELIEF TAP + 'O' RING		16.69 €
W12248	LID RETAINING CLAMP c/w SCREW & NUT		174.44 €
W02933	SMALL OVAL LID O RING		22.59 €
W12135	SMALL OVAL LID		182.32 €

PLEASE NOTE:

1.1/2" Lacron filters manufactured pre 2006 will have union adaptors (Barrel Unions with **flat gaskets** 1.1/2" Lacron filters manufactured post 2006 will have union adaptors (Barrel Unions) with 'O' rings



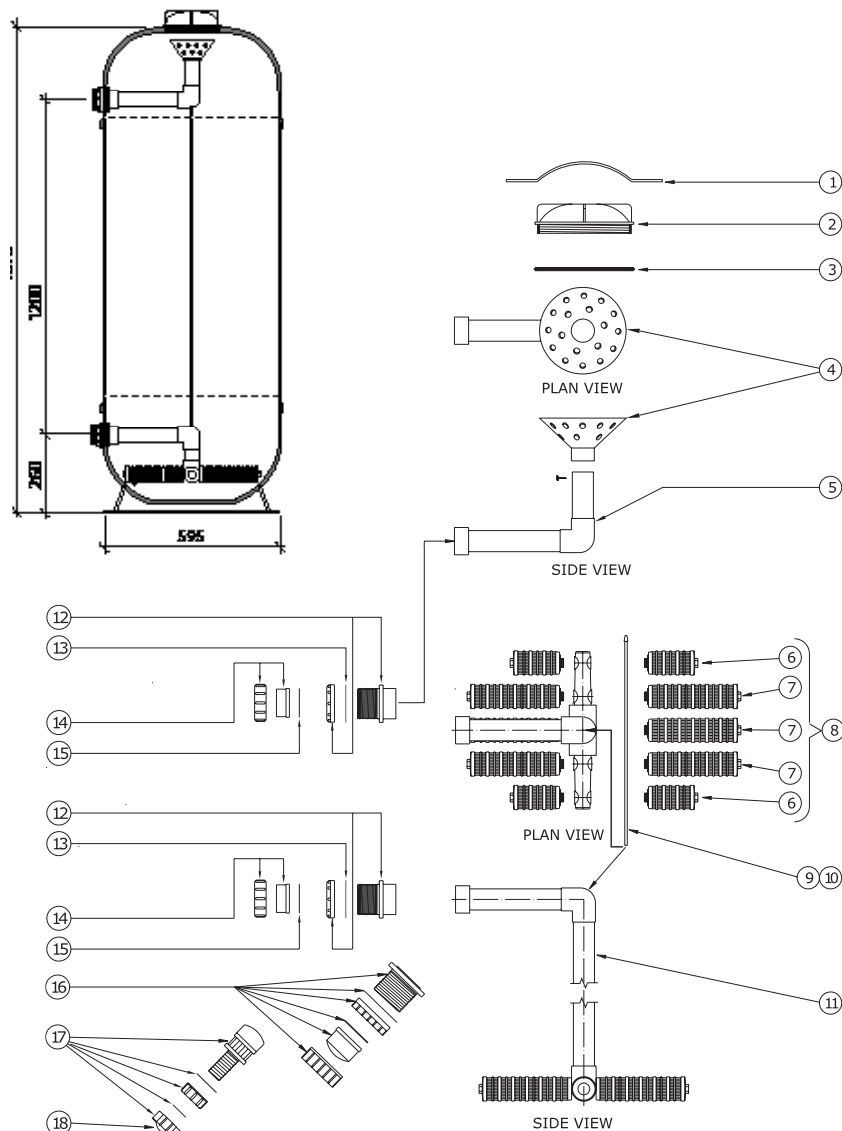
Lacron DBF-24"

Product Code: 222041624

Part Number	Product Description	Diagram No.	LIST PRICE
6012 (1304A)	Lacron Lid removal tool (new type - 8")	1	68.92 €
62092920HBG	Lacron Lid (new type 8")	2	105.19 €
621053HBG	Lacron Lid 'O' ring	3	17.84 €
W02066	Rose distributor	4	15.85 €
1368A	24" - 2" Header (less rose)	5	67.01 €
W12231	113mm Heavy duty Lateral (candle) (X 4 required per filter)	6	18.86 €
W12232	206mm Heavy duty lateral (candle) (X 6 required per filter)	7	30.12 €
1394B	24" DBF - Lateral (candle) set	8	149.47 €
W12045	Air bleed cap (old type)	9	5.65 €
W02550 (17131)	Airbleed tube	10	5.17 €
1382	1.5" Underdrain (less candles)	11	199.65 €
62096014HBG	2" Bulkhead fitting including nut	12	43.14 €
W12252HBG	2" Bulkhead gasket (set of two)	13	8.44 €
W02990-2HBG	2" Union adaptor inc sleeve (set of 2)	14	40.38 €
W12253-2HBG	2" Union adaptor gasket (set of 2)	15	16.60 €
W04058BLK	1.5" Sand drain complete	16	115.58 €
620960015HBG	Drain plug complete	17	16.59 €
W02522C	Drain plug cap only	18	9.63 €
1671	3/4" S/S self tapping screw (set of 10)		9.50 €
W12050SB	10 Hole side hatch cover		POA
W12216	10 Hole Cover 'O' Ring		14.29 €

CLAMP LID

W12076	NYLON AIR RELIEF TAP + 'O' RING	16.69 €
W12248	LID RETAINING CLAMP c/w SCREW & NUT	174.44 €
W02933	SMALL OVAL LID O RING	22.59 €
W12135	SMALL OVAL LID	182.32 €



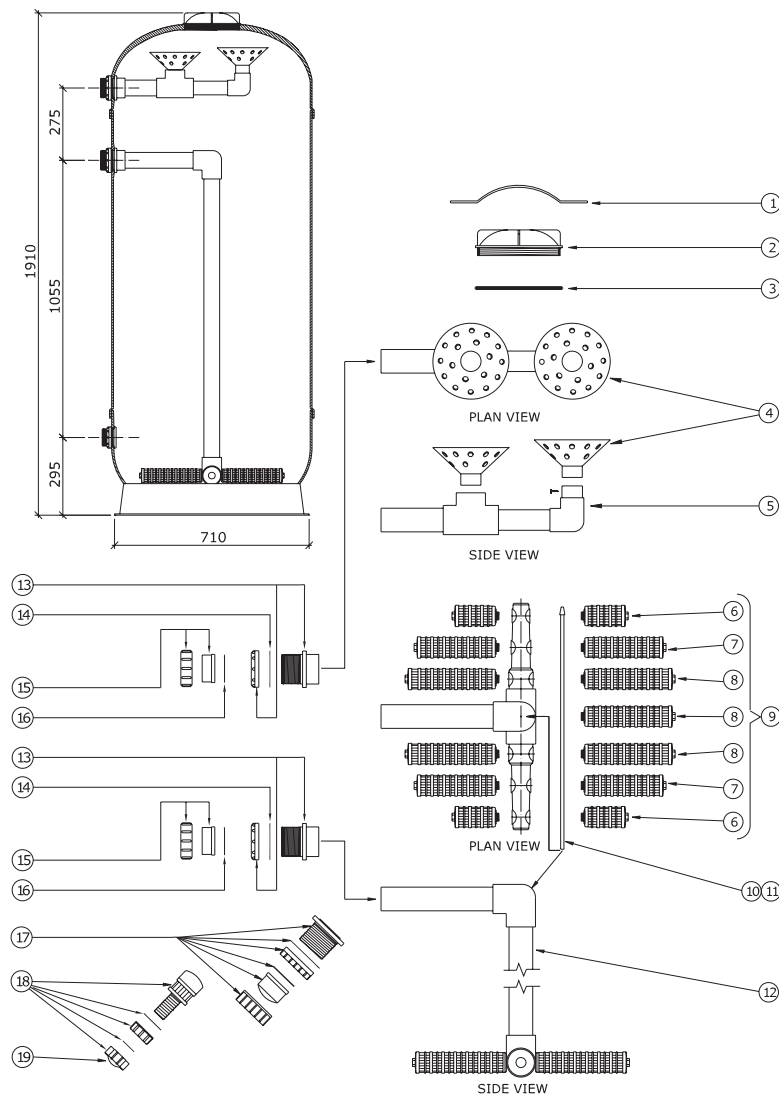
Lacron DBF-30"

Product Code: 222041630

Part Number	Product Description	Diagram No.	LIST PRICE
6012 (1304A)	Lacron Lid removal tool (new type - 8")	1	68.92 €
62092920HBG	Lacron Lid (new type 8")	2	105.19 €
621053HBG	Lacron Lid 'O' ring	3	17.84 €
W02066	Rose distributor (each)	4	15.85 €
1370 (W22072)	30" - 2" Header (less rose)	5	109.28 €
1318 (W12231)	113mm Heavy duty Lateral (candle) (X 4 required per filter)	6	18.86 €
1319 (W12232)	206mm Heavy duty lateral (candle) (X 4 required per filter)	7	30.12 €
1320 (W12233)	238mm Heavy duty lateral (candle) (X 6 required per filter)	8	33.92 €
1395B	30 x 2" DBF - Lateral (candle) set	9	149.47 €
W12045	Air bleed cap (old type)	10	5.65 €
17131	30" DBF airbleed tube	11	24.54 €
1383	2" Underdrain (less candles)	12	238.83 €
62096014HBG	2" Bulkhead fitting including nut	13	43.14 €
W12252HBG	2" Bulkhead gasket (set of two)	14	8.44 €
W02990-2HBG	2" Union adaptor inc sleeve (set of 2)	15	40.38 €
W12253-2HBG	2" Union adapter gasket (set of 2)	16	16.59 €
W04058BLK	1 1/2" Sand drain complete	17	115.58 €
620960015HBG	Drain plug complete	18	16.59 €
W02522C	Drain plug cap only	19	9.63 €
1671	3/4" S/S self tapping screw (set of 10)	n/s	9.50 €
W12050SB	Side Hatch Cover		POA
W12216	Side Hatch Cover 'O' Ring		14.29 €

CLAMP LID

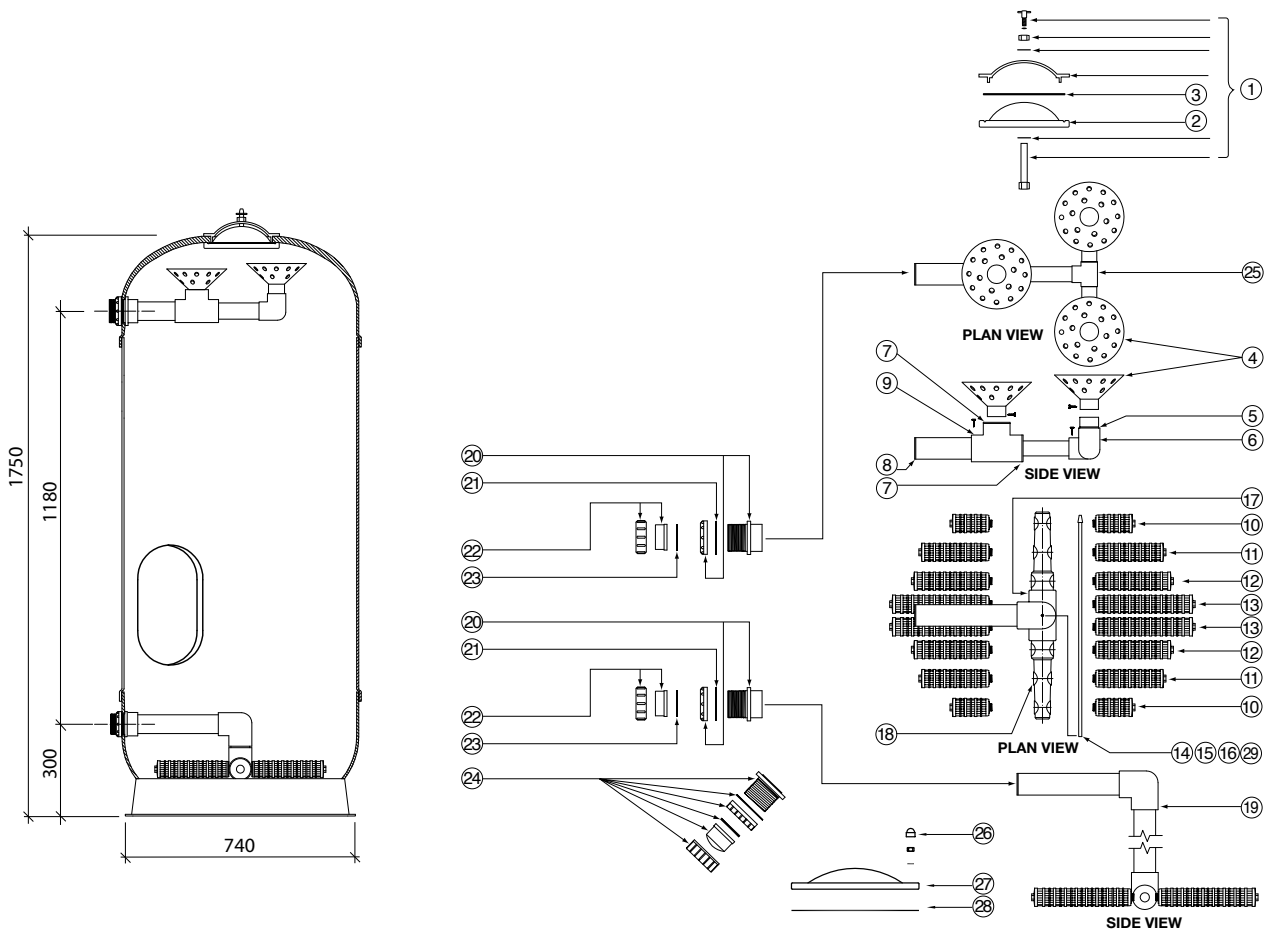
W12076	NYLON AIR RELIEF TAP + 'O' RING	16.69 €
W12248	LID RETAINING CLAMP c/w with screw and nut	174.44 €
W02933	SMALL OVAL LID 'O' RING	22.59 €
W12135	SMALL OVAL LID	182.32 €



Lacron DBF-36"

Product Code: 222041636

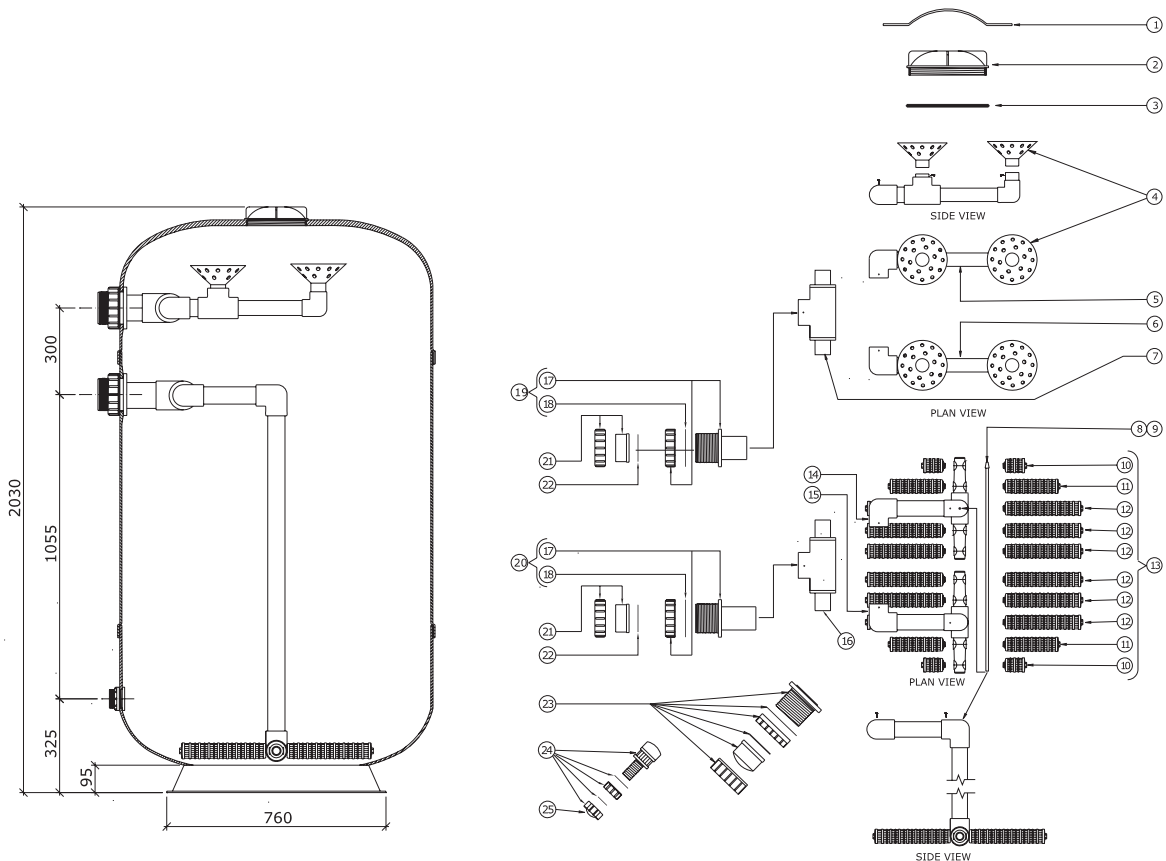
Part Number	Product Description	Diagram No.	LIST PRICE
W12248	9" x 6" Clamp Assembly (inc. nuts, washers, clamp & airtap)	1	174.44 €
W12135	9" x 6" Lid Oval	2	182.32 €
WO2933	O-ring G225	3	22.59 €
WO2066	Rose distributor	4	15.85 €
12555BLK	Reducing bush 2" x 1 1/2"	5	4.77 €
121350	Elbow 50mm	6	7.15 €
12566	Reducing Bush 65 x 50	n/s	12.71 €
12588	Reducing bush 3" x 2 1/2"	n/s	6.56 €
121962	Tee 65mm	9	17.17 €
1318 (W12231)	113mm Heavy Duty Lateral (candle) (X 4 required per filter)	10	18.86 €
1319 (W12232)	206mm Heavy Duty Lateral (candle) (X 6 required per filter)	11	30.12 €
1320 (W12233)	238mm Heavy Duty Lateral (candle) (X 6 required per filter)	12	33.92 €
1275 (W12229)	268mm Heavy Duty Lateral (candle) (X 4 required per filter)	13	37.67 €
1395C	36" DBF - Lateral (candle) set		394.99 €
WO2289	Air relief tube screen	14	6.94 €
85251	Gulf stream plug	15	1.23 €
WO2558	Air bleed tube	16	18.28 €
W12297	Tapped Tee 2 1/2"	17	29.88 €
W12089	LCT extension 3 hole	18	17.96 €
121365	Elbow 65mm	19	32.64 €
W12955	Bulkhead Body + Lock Nut 3" Blk	20	67.77 €
WO2250	Gasket Bulkhead Body 3"	21	12.06 €
W12954	B/U Lock But + Plain End 3" Black	22	55.80 €
WO2249	O-ring 3" B/U	23	10.47 €
WO4058BLK	Drain Plug Complete 40mm Complete	24	115.58 €
121950	Tee 50mm	25	6.22 €
W12956	Black Cap Nut M12	26	42.14 €
W12311	Large Oval Hatch 18-Hole	27	447.45 €
W12300	Gasket Oval 18-Hole	28	53.23 €
W22173	Gland PG7 (3 - 6.5)	26	10.94 €



Lacron DBF-42"

Product Code: 222041642

Part Number	Product Description	Diagram No.	LIST PRICE
6012	Lacron Lid removal tool (new type - 8")	1	68.92 €
62092920HBG	Lacron Lid (new type 8")	2	105.19 €
621053HBG	Lacron Lid 'O' ring	3	17.84 €
W02066	Rose distributor (each)	4	15.85 €
1372	42" LHS - Header (less rose)	5	140.13 €
1372A	42" RHS - Header (less rose)	6	140.13 €
1372B	42" Main header 'T' (inc connect pipe)	7	197.40 €
W12045	Air bleed cap (old style)	8	5.65 €
17133	Air bleed tube	9	54.16 €
W12228	82mm Heavy duty Lateral (candle) (X 4)	10	16.96 €
1320 (W12233)	238mm Heavy duty lateral (candle) (X 4)	11	33.92 €
1277 (W12230)	300mm Heavy duty lateral (candle) (X 12)	12	38.45 €
1396B	42" DBF - Lateral (candle) set	13	406.48 €
1371	42" LHS Underdrain (less candles)	14	167.98 €
1371A	42" RHS Underdrain (less candles)	15	167.98 €
1371B	42" Main underdrain 'T' (incl connecting pipe)	16	197.40 €
62096017HBG	3" Bulkhead fitting including nut	17	67.77 €
6019 (W02250)	3" Bulkhead gasket (set of two)	18	24.13 €
1525A	42" Bulkhead fitting (top)	19	80.42 €
1525B	42" Bulkhead fitting (bottom)	20	82.86 €
6018 (W02253BLK /W02255BLK /W02255EBLK)	3" Union adaptor inc sleeve (each) 'O' Ring type	21	55.80 €
6020	3" Union adaptor gasket (set of 2) Pre 2007	22	20.35 €
6302550-HBG	3"/90mm ADAPTOR 'O' RING (Set of 2) POST 2007		20.15 €
W04058BLK	1/2" Sand drain complete	23	115.58 €
W02026BLK	Drain plug complete	24	23.02 €
1671	3/4" S/S self tapping screw (set of 10)		9.50 €
W12311	Oval hatch 18 hole		447.45 €
W12300	Oval Gasket 18 hole		53.23 €
POST 2007 'CLAMP LID'			
W12076	NYLON AIR RELIEF TAP + 'O' RING		16.69 €
W12248	LID RETAINING CLAMP c/w SCREW & NUT		174.44 €
W02933	SMALL OVAL LID O RING		22.59 €
W12135	SMALL OVAL LID		182.32 €



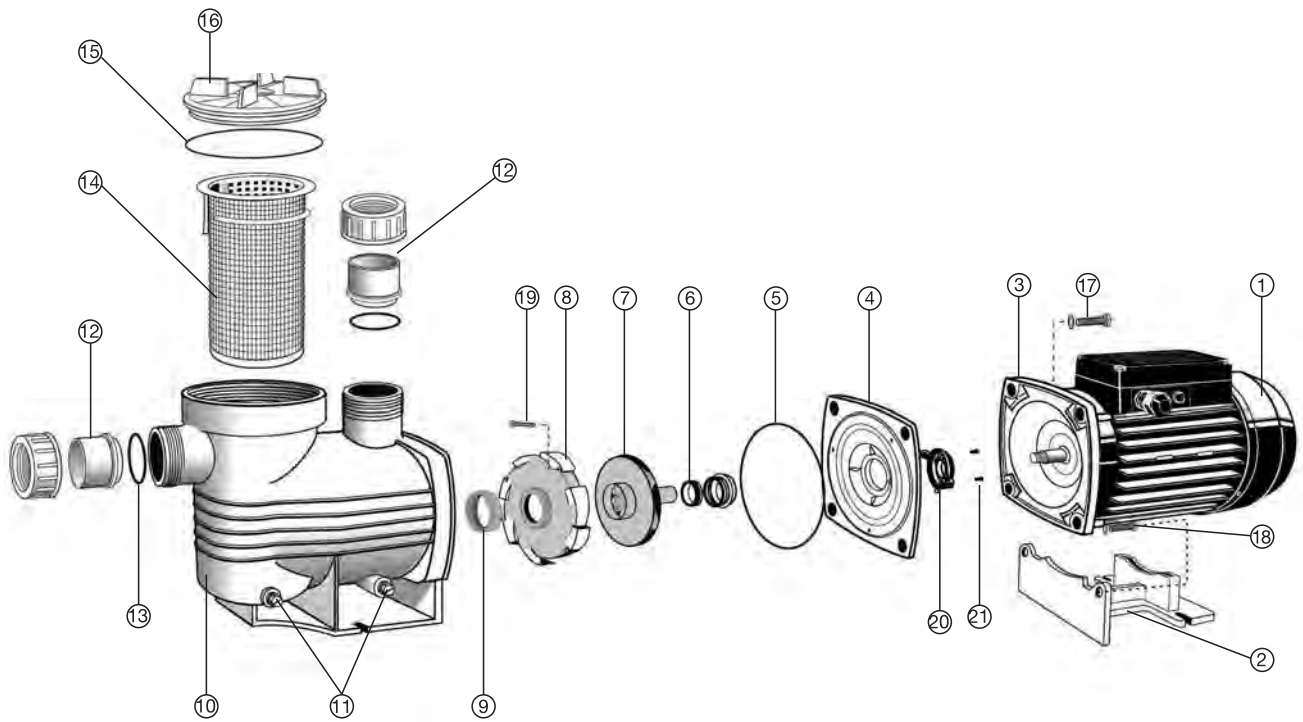
Aquamite

Product Codes: 2402033PNR-M, 2402050PNR-M, 2402075PNR-M, 2402100PNR-M, 2402125PNR-M

Part Number	Product Description	Diagram No.	LIST PRICE
	Motor	1	N/A
631781	Motor slinger (for 635034E)	n/s	4.73 €
6340222	Pump Foot (Post November 2015)	2	18.28 €
634021	Pump Foot Insert (Post November 2015)	n/s	11.18 €
S1226911	Pump body o ring	5	4.07 €
6340162	Mechanical seal (316 S/S)	6	65.00 €
63401625	Mechanical seal (Silicon Carbide S/S Viton)	6	204.00 €
635064	Impeller (Aquamite 33)	7	66.36 €
635065	Impeller (Aquamite 50)	7	66.36 €
635066	Impeller (Aquamite 75)	7	66.36 €
635067	Impeller (Aquamite 100)	7	66.36 €
635068	Impeller (Aquamite 125)	7	66.36 €
635061	Diffuser	8	31.97 €
635060	Diffuser gasket	9	5.58 €
635082	Pump face Hair/Lint pot body	10	167.89 €
63402302	Drain plug	11	2.96 €
620193	O-Ring BS112	n/s	3.78 €
122243B	1 1/2" half union c/w o ring	12	7.31 €
122245B	50mm European metric half union c/w o ring	12	7.52 €
W02213	Half union o ring	13	5.03 €
6350850	H/L pot basket	14	POA
635084	H/L pot lid o ring	15	6.63 €
635083	H/L Pot lid	16	45.35 €
63505321	Aquamite multi pack M8 bolts & washers	17/18	11.83 €
	2 x 635053 (M8 x 30 bolt)		
	4 x 630218 (M8 washer)		
	2 x 6350540 (M8 x 40 bolt)		
63506351	Aquamite/Aquastream Adaptor Kit:-		138.22 €
	63506340 - Square bracket kit	4/19	
	S1290816 - Screw M3x30mm Pan Head SS (each, 4 required)	19	
	6340165 - Flange Protector kit	20	
	63400833 - Screw # 4 x 3/8" pan head SS (each, 2 required)	21	
	6340162 - Mechanical Seal SS 316	6	
85517	Solar Insert Check Valve	22	7.88 €
634086	Lid Toolbar (suits all pumps)	n/s	11.37 €
For pumps with fan covers including screw fixings:			
6340451	Capacitors for Aquamite 033 & 050	n/s	60.15 €
6340452	Fans for Aquamite 033 & 050	n/s	10.26 €
63404440	Fan covers for Aquamite 033 & 050	n/s	POA
6340446	Capacitors for Aquamite 075, 100 & 125	n/s	67.48 €
6340454	Fans for Aquamite 075, 100 & 125	n/s	12.87 €
6340440	Fan covers for Aquamite 075, 100 & 125		22.34 €
634044704	Capacitor For Aquamite 0.33HP - 1.25HP (Post November 2015)		60.78 €
For pumps with push on fan covers:			
634044	Fan cowling (100,125,150)	n/s	22.34 €
63404411	Fan cowling (50,75)	n/s	22.34 €
634045	Fan (100,125,150)	n/s	12.09 €
63404502	Fan (50,75)	n/s	27.16 €
634044701	Capacitor (100,125)	n/s	85.78 €
63404472	Capacitor (150)	n/s	85.68 €
634044601	Capacitor (50, 75)	n/s	101.78 €

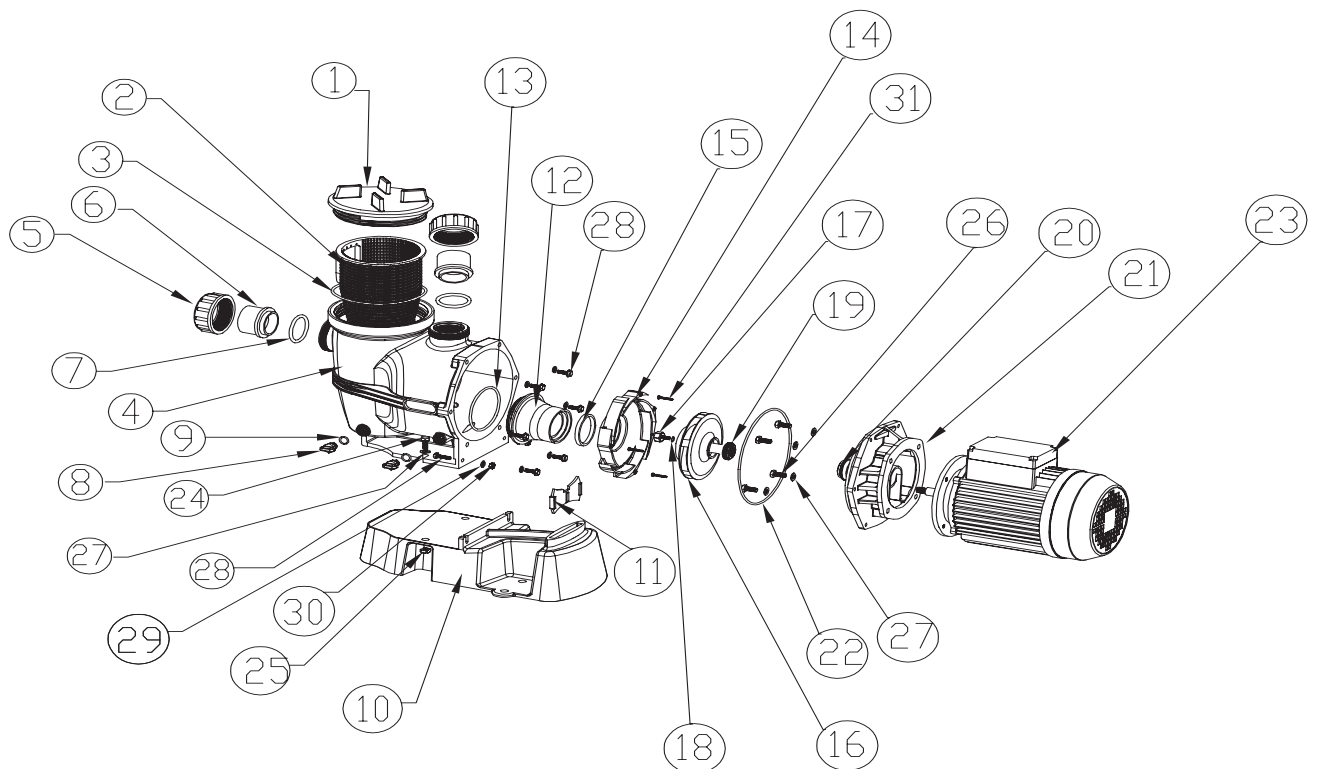
Aquamite

Product Codes: 2402033PNR-M, 2402050PNR-M, 2402075PNR-M, 2402100PNR-M, 2402125PNR-M



Lacronite Pump

Product Codes: 24070050, 24070075, 24070100, 24070150



Lacronite Pump

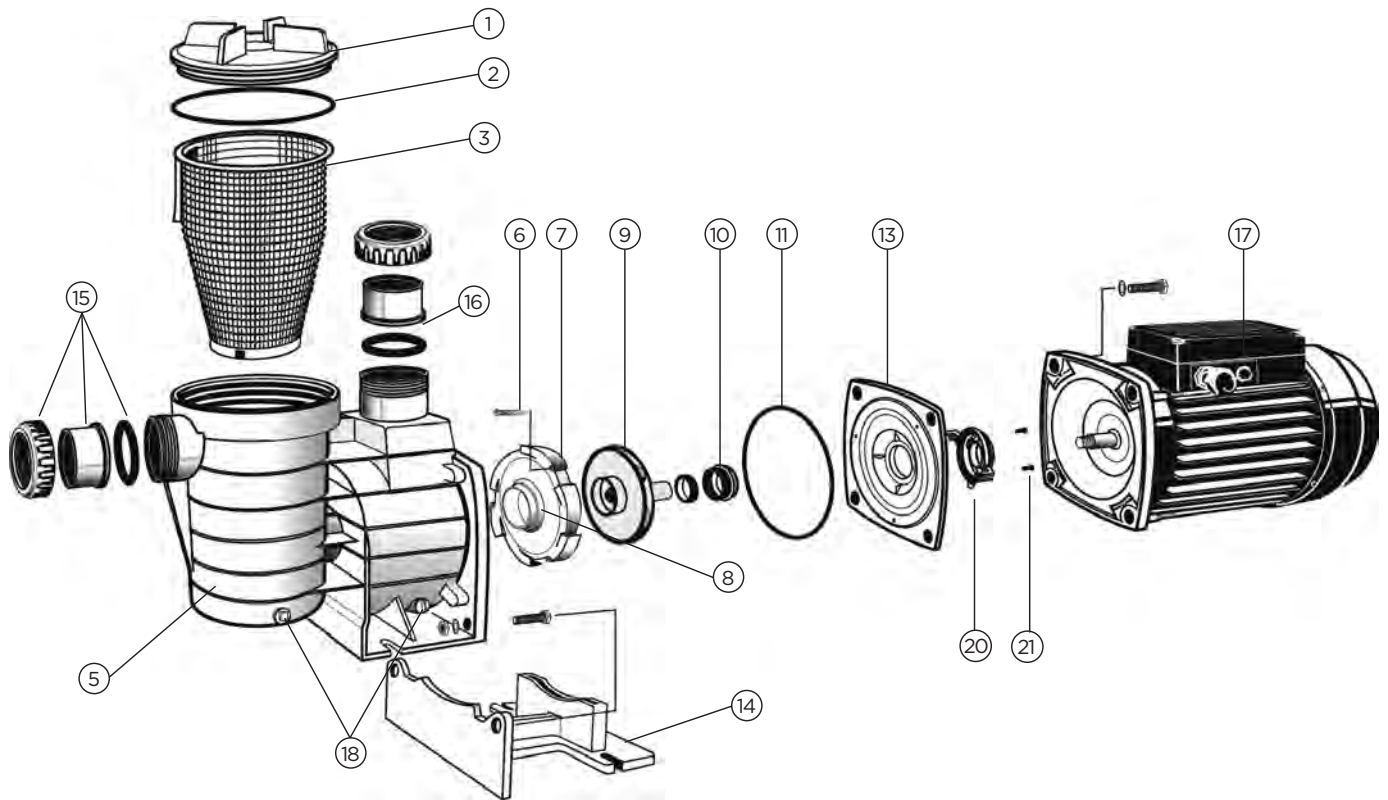
Product Codes: 24070050, 24070075, 24070100, 24070150

Part Number	Product Description	Diagram No.	LIST PRICE
63400821	Screw PT SS316 M4x25mm	31	2.84 €
6340060	H&L Pot Foot Nut M6 Ss316	30	4.16 €
6340030	H&L Pot Foot Washer M6 SS316	29	9.24 €
6340040	H&L Pot foot bolt (x20) SS316	28	1.61 €
6302180	Mounting Washer SS316 5/16x5/8	27	0.62 €
63401830	Hex set M8x20 SS316 (bracket to motor)	26	0.97 €
W22039	Nut M8 Heat Pump	25	9.63 €
W22424	Bolt M8x25mm SS316	24	6.56 €
	Motor	23	N/A
634017	Bracket O-Ring	22	9.61 €
63402031	Bracket Assembly MK3	21	112.80 €
6340162	Mechanical Seal SS316	19 & 20	65.00 €
82444205	O-Ring BS011	18	0.38 €
W22912	L/H Cap Screw Moulded	17	14.36 €
63401255	050 Impeller	16	68.05 €
63401256	050, 075 Impellor	16	68.05 €
63401257	100 Impellor (with hole)	16	73.14 €
6340130	125 Impellor (with hole)	16	73.14 €
63401430	150 Impellor (with hole)	16	73.14 €
6340145	200 Impellor (with hole)	16	73.14 €
634011	Diffuser Gasket	15	7.34 €
634010	Diffuser	14	68.26 €
6340113	Diffuser O-Ring	13	6.39 €
634079	Suction Nozzle	12	20.11 €
634021	Pump Foot Insert	11	11.18 €
6340892	Lacronite Pump Base	10	72.91 €
620193	O-Ring BS112	9	3.78 €
63402301	Drain Plug 1 1/4" NPT	8	2.96 €
122243B	1 1/2" Union Complete with O-Ring	5,6 & 7	7.31 €
122245B	50mm Union Complete with O-Ring	5,6 & 7	7.52 €
6340894	Lacronite Pump Housing 1 1/2 Port	4	139.73 €
63151	H&L Pot Lid O-Ring	3	9.33 €
6340891	Lacronite H&L pot	2	24.13 €
634000	H&L Pot Lid	1	53.35 €
For pumps with fan covers including screw fixings:			
6340451	Capacitors for Aquamite 033 & 050	n/s	60.15 €
6340452	Fans for Aquamite 033 & 050	n/s	10.26 €
63404440	Fan Covers for Aquamite 033 & 050	n/s	22.34 €
6340446	Capacitors for Aquamite 075, 100 & 125	n/s	67.48 €
6340454	Fans for Aquamite 075, 100 & 125	n/s	12.87 €
6340440	Fan Covers for Aquamite 075, 100 & 125		22.34 €
For pumps with push on fan covers:			
634044	Fan Cowling (100,125,150)	n/s	22.34 €
63404411	Fan Cowling (50,75)	n/s	22.34 €
634045	Fan (100,125,150)	n/s	12.09 €
63404502	Fan (50,75)	n/s	27.16 €
634044701	Capacitor (100,125)	n/s	85.78 €
63404472	Capacitor (150)	n/s	85.68 €
634044601	Capacitor (50, 75)	n/s	101.78 €

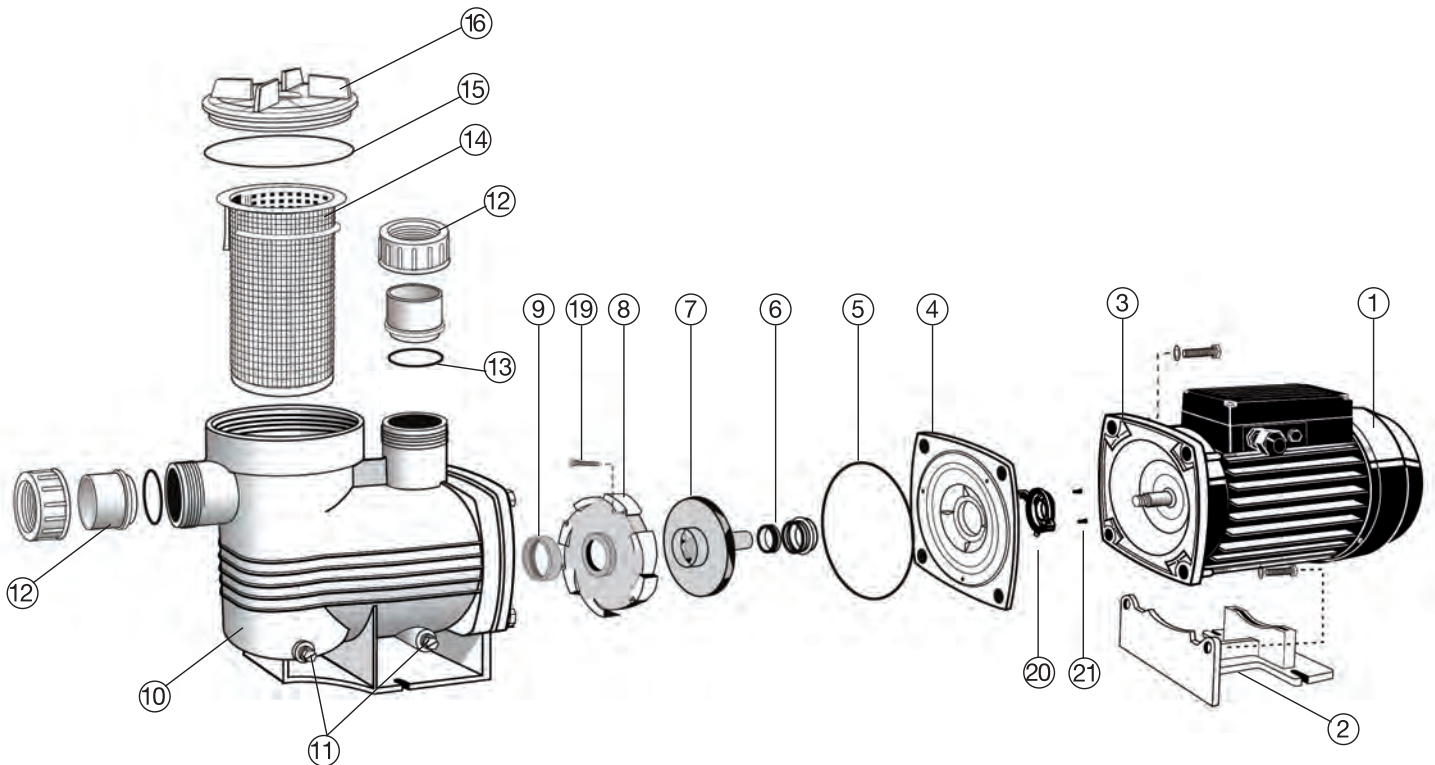
Supatuf

Part Number	Product Description	Diagram No.	LIST PRICE
634000	H/L pot lid	1	53.35 €
63151	H/L pot lid o ring	2	9.33 €
6350011	H/L pot basket mk2	3	21.52 €
6350191	Pump face H/L pot body (Supatuf 50 - 200)	5	145.52 €
63501912	Pump face H/L pot (Supatuf 250 - 300)	5	145.52 €
635017	Diffuser (Supatuf 50 - 200)	7	47.67 €
635022	Diffuser (Supatuf 250 - 300)	7	49.47 €
634011	Diffuser gasket	8	7.34 €
635015	Impeller (Supatuf 50)	9	81.25 €
635010	Impeller (Supatuf 75)	9	81.25 €
63501100	Impeller (Supatuf 100)	9	81.25 €
635014	Impeller (Supatuf 125)	9	81.25 €
63501200	Impeller (Supatuf 150)	9	81.25 €
6350134	Impeller (Supatuf 200)	9	81.25 €
6350230	Impeller (Supatuf 250)	9	81.25 €
6350160	Impeller (Supatuf 300) (suit screw type)	9	81.25 €
6340162	Mechanical seal (316 s/s)	10	65.00 €
63401625	Mechanical seal (Silicon Carbide S/S Viton)	10	204.00 €
635028	Pump body o ring	11	4.07 €
6340222	Pump foot (Supatuf 75 -125)	14	18.28 €
6340223	Pump foot (Supatuf 150 - 250)	14	18.28 €
634024BLK	2" Half union c/w o ring	15	11.28 €
634024EBLK	63mm European metric Half union c/w o ring	15	11.28 €
W02280	Half union o ring	16	3.87 €
	Motor	17	N/A
63402301	Drain Plug	18	2.96 €
6340020	Supatuf M6 multi pack bolts & washers	n/s	5.56 €
	2 x 6340060 (M6 nut)		
	2 x 6340030 (M6 washer)		
	2 x 63400410 (M6 x 25 bolt)		
63401812	Supatuf M8 multi pack bolts & washers(2003 current body)	n/s	7.51 €
	4 x 6302180 (M8 washer)		
	4 x 6350530 (M8 x 30 bolt)		
634086	Lid Toolbar (suits all pumps)	n/s	11.37 €
6350212	Adaptor kit for Supatuf/Supaflo (50 - 200)		136.93 €
	6350215 -Square Bracket	13	
	S1290816 - Screw M3x30mm Pan Head SS (each, 3 required)	6	
	6340165 - Flange Protector Kit	20	
	63400833 - Screw # 4 x 3/8" Pan Head SS (each, 2 required)	21	
6350215	Square Bracket	13	33.56 €
63400835	Screw M3x45 SS304 Pan Head SS (each, 3 required)	6	POA
6340165	Flange Protector Kit	20	POA
63400833	Screw # 4 x 3/8" Pan Head SS (each, 2 required)	21	POA
6350215	Adapter plate	13	33.56 €
634086	Lid Toolbar (suits all pumps)	n/s	11.37 €
6340451	Capacitors for Supatuf 050	n/s	60.15 €
6340452	Fans for Supatuf & 050	n/s	10.26 €
63404440	Fan covers for Supatuf 050	n/s	22.34 €
6340446	Capacitors for Supatuf 075, 100 & 125	n/s	67.48 €
6340454	Fans for Supatuf 075, 100 & 125	n/s	12.87 €
6340440	Fan covers for Supatuf 075, 100 & 125	n/s	22.34 €
6340447	Capacitors for Supatuf 150, 200 & 250	n/s	67.49 €
6340455	Fans for Supatuf 150, 200 & 250	n/s	12.87 €
6340443	Fan covers for Supatuf 150, 200 & 250	n/s	22.34 €

Supatuf



Supastream



Supastream

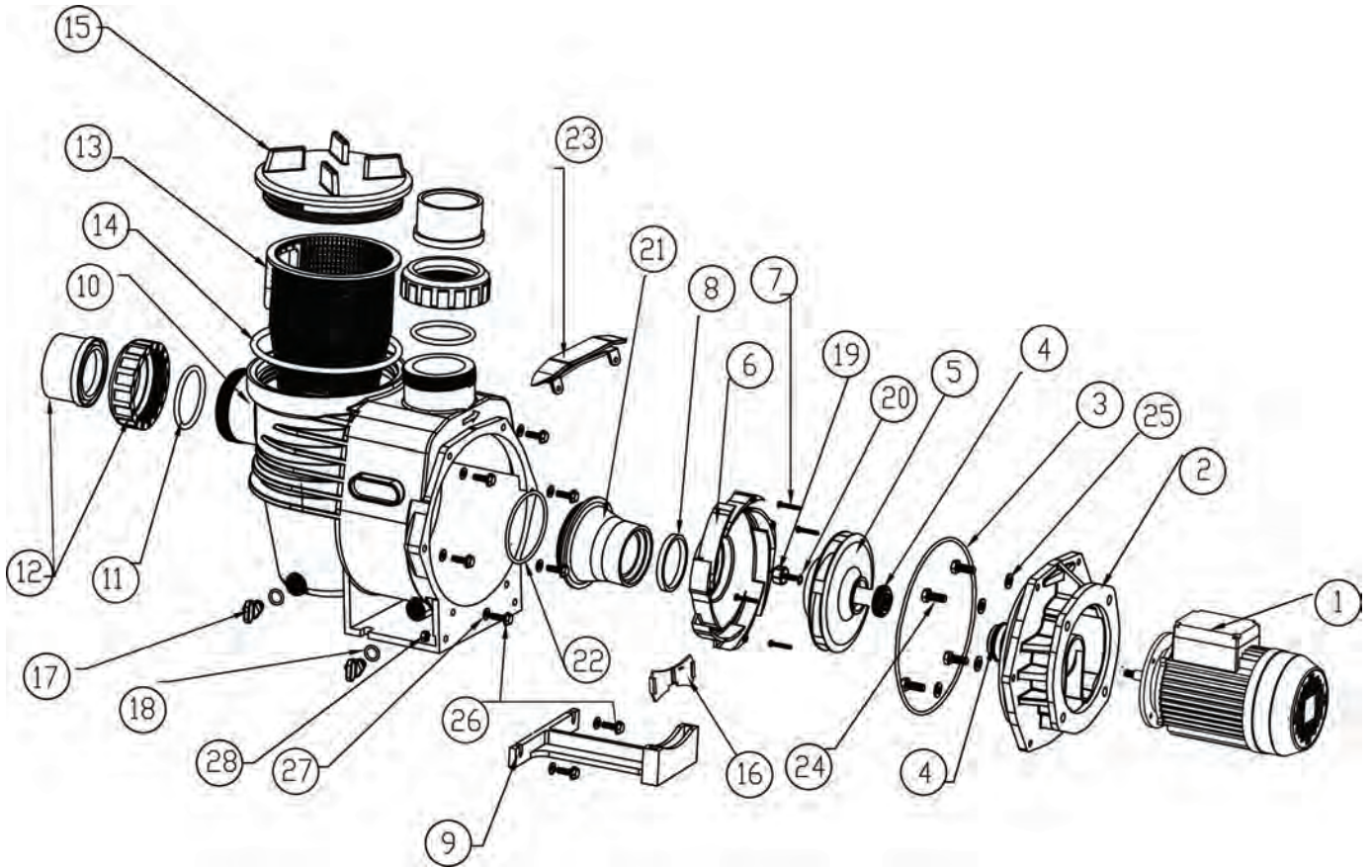
Product Codes: 2340305PNR-M / 2403075PNR-M / 2403100PNR-M / 2403150PNR-M

Part Number	Product Description	Diagram No.	LIST PRICE
	Motor	1	N/A
635072	Motor Pump Foot (Pre July 2014)	2	13.62 €
635074	Pump Foot Insert (Supastream 75, 100 & 125) (Pre July 2014)	n/s	3.23 €
6340222	Pump Foot (Pre July 2014)		18.28 €
634021	Pump Foot Insert 0.5Hp - 1Hp)		11.18 €
63506350	Square Bracket With Brass Insert	4	48.96 €
S1226911	Pump Body O Ring	5	4.07 €
6340162	Mechanical Seal (316 S/S)	6	65.00 €
63401625	Mechanical Seal (Silicon Carbide S/S Viton)	6	204.00 €
635065	Impeller (Supastream 50)	7	66.36 €
635096	Impeller (Supastream 75)	7	66.36 €
635097	Impeller (Supastream 100)	7	66.36 €
6350980	Impeller (Supastream 125)	7	66.36 €
635099	Impeller (Supastream 150)	7	66.36 €
635061	Diffuser	8	31.97 €
635060	Diffuser Gasket	9	5.58 €
W12963	Pump Face H/L Pot Body	10	167.89 €
63402302	Drain Plug 1/4" BSP	11	2.96 €
122243B	1 1/2" Half Union C/W O Ring	12	7.31 €
122245B	50mm European Metric Half Union C/W O Ring	12	7.52 €
W02213	Half Union O-Ring	13	5.03 €
635087	H/L Pot Basket	14	19.64 €
635052	H/L Pot Lid O Ring	15	6.63 €
635051	H/L Pot Lid	16	47.67 €
S1160963	Supastream M8 Multi Pack Bolts & Washers	17	8.87 €
	2 X 6350530 (M8 X 30 Bolt) (Pre July 2014)		
	4 X 6302180 (M8 Washer) (Pre July 2014)		
	2 X 6350530 (M8 X 30 Bolt) (Pre July 2014)		
	4 X 6350540 (M8 X 40 Bolt) (Post July 2014)		
	4 X 6302180 (M8 Washer) (Post July 2014)		
634086	Toolbar (suit all pumps)	n/s	11.37 €
635063510	Adaptor kit		138.23 €
	63506350 - Square Bracket Kit	4 & 19	
	S1290816 - Screw M3 x 30mm Pan Head SS (each, 4 required)	19	
	6340165 - Flange Protector Kit	20	
	63400833 - Screw#4x3/8" Pan Head SS (each, 2 required)	21	
	6340162 - Mechanical Seal SS 316	6	
	63813922 - O-Ring BS029		
6340446	Capacitors for Supastream 075, 100 & 125	n/s	67.48 €
6340454	Fans for Supastream 075, 100 & 125	n/s	12.87 €
6340440	Fan covers for Supastream 075, 100 & 125	n/s	22.34 €
6340447	Capacitors for Supastream 150, 200 & 250	n/s	67.49 €
6340455	Fans for Supastream 150, 200 & 250	n/s	12.87 €
6340443	Fan covers for Supastream 150, 200 & 250	n/s	22.34 €
For pumps with fan covers including screw fixings:			
6340451	Capacitors for Supastream 033 & 050	n/s	60.15 €
6340452	Fans for Supastream 033 & 050	n/s	10.26 €
6340444	Fan covers for Supastream 033 & 050	n/s	22.34 €
6340446	Capacitors for Supastream 075, 100 & 125	n/s	67.48 €
6340454	Fans for Supastream 075, 100 & 125	n/s	12.87 €
6340440	Fan covers for Supastream 075, 100 & 125		22.34 €
634044704	Capacitor For Supastream 0.5 - 1.5HP (Post July 2014)		60.78 €
For pumps with push on fan covers:			
634044	Fan cowling (100,125,150)	n/s	22.34 €
63404411	Fan cowling (50,75)	n/s	22.34 €
634045	Fan (100,125,150)	n/s	12.09 €
63404502	Fan (50,75)	n/s	27.16 €
634044701	Capacitor (100,125)	n/s	85.78 €
63404472	Capacitor (150)	n/s	85.68 €
634044601	Capacitor (50, 75)	n/s	101.78 €

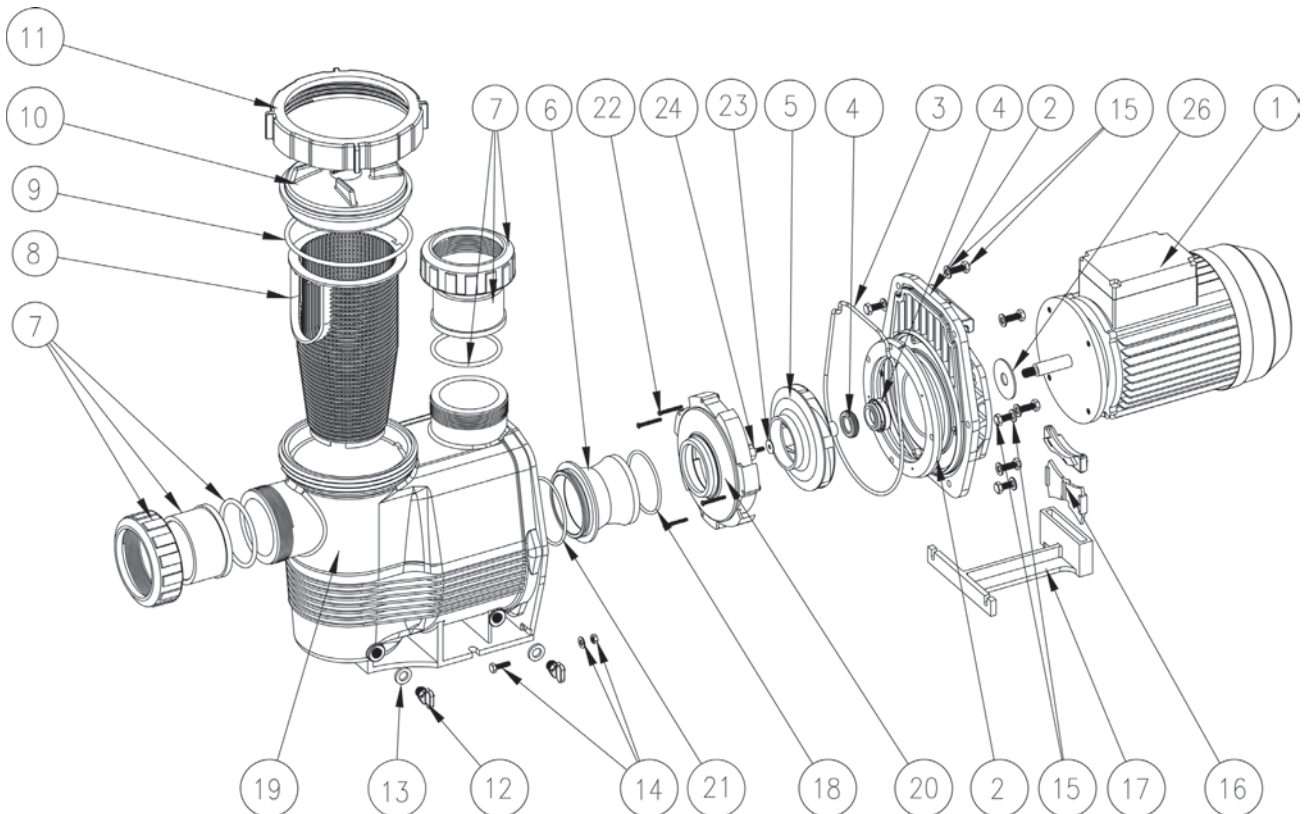
Hydrostorm

Part Number	Product Description	Diagram No.	LIST PRICE
	Motor	1	N/A
6340203	Mounting Bracket/Adaptor Plate	2	143.86 €
634017	Pump Body O-Ring	3	9.61 €
6340162	Mechanical Seal (316 S/S)	4	65.00 €
63401625	Mechanical Seal (Silicon Carbide S/S Viton)	4	204.00 €
6340120	Impeller (Hydrostorm 75)	5	73.14 €
6340130	Impeller (Hydrostorm 100)	5	73.14 €
63401430	Impeller (Hydrostorm 150)	5	73.14 €
6340145	Impeller (Hydrostorm 200)	5	73.14 €
6340157	Impeller (Hydrostorm 250)	5	73.14 €
63401534	Impeller (Hydrostorm 300)	5	73.14 €
63401533	Impeller (Hydrostorm 350)	5	94.27 €
W22912	L/Hand Screw Moulded M5 x 18	19	14.36 €
634010	Diffuser (Hydrostorm 75, 100, 150, 200, 250)	6	68.26 €
6340103	Diffuser (Hydrostorm 300, 350)	6	51.48 €
W22841	Diffuser Screw (set of 4)	7	3.89 €
82444205	O-Ring BS011	20	0.38 €
634011	Diffuser Gasket	8	7.34 €
6340113	Diffuser O-Ring 3.50hp	8	6.39 €
634022	Pump Foot	9	19.75 €
634021	Pump Foot Insert (Hydrostorm 300-350 & All 3 Phase)	16	11.18 €
6340052	H/L Pot Body & Pump Face	10	209.59 €
W02280	2" Half Union O-Ring	11	3.87 €
634024BLK	2" Half Union C/W O Ring	12	11.28 €
63402400	63Mm European Metric Half Union C/W O Ring	12	11.07 €
1222570	2" X 1 1/2" Half Union (Suit 1.00, 1.25Hp 2002)	12	12.10 €
634001	H/L Pot Basket	13	22.17 €
63151	H/L Pot Lid O-Ring	14	9.33 €
634000	H/L Pot Lid	15	53.35 €
63402301	Drain Plug 1/4" NPT	17	2.96 €
620193	O-Ring BS112	18	3.78 €
634086	Lid Toolbar (Suits All Pumps)	n/s	11.37 €
6340446	Capacitors For Hydrostorm 075, 100 & 125	n/s	67.48 €
6340454	Fans For Hydrostorm 075, 100 & 125	n/s	12.87 €
6340440	Fan Covers For Hydrostorm 075, 100 & 125	n/s	22.34 €
6340447	Capacitors For Hydrostorm 150, 200 & 250	n/s	67.49 €
6340455	Fans For Hydrostorm 150, 200 & 250	n/s	12.87 €
6340443	Fan Covers For Hydrostorm 150, 200 & 250	n/s	22.34 €
6340790	Suction Nozzle (1HP - 2.5HP)	21	20.10 €
6340810	Suction Nozzle (3HP - 3.5HP)	21	21.67 €
6340113	O-Ring BS234	22	6.39 €
63402030	Hydrostorm Bracket Handle	23	10.35 €
63401830	Bolt M8 x 20 x 4	24	0.97 €
6302180	Washer M8 x 4	25	0.62 €
63400410	Bolt M6 x 25 x 6	26	1.22 €
6340030	Washer M6 x 8	27	9.24 €
6340060	Nut M6	28	4.16 €

Hydrostorm



Hydrostorm Plus

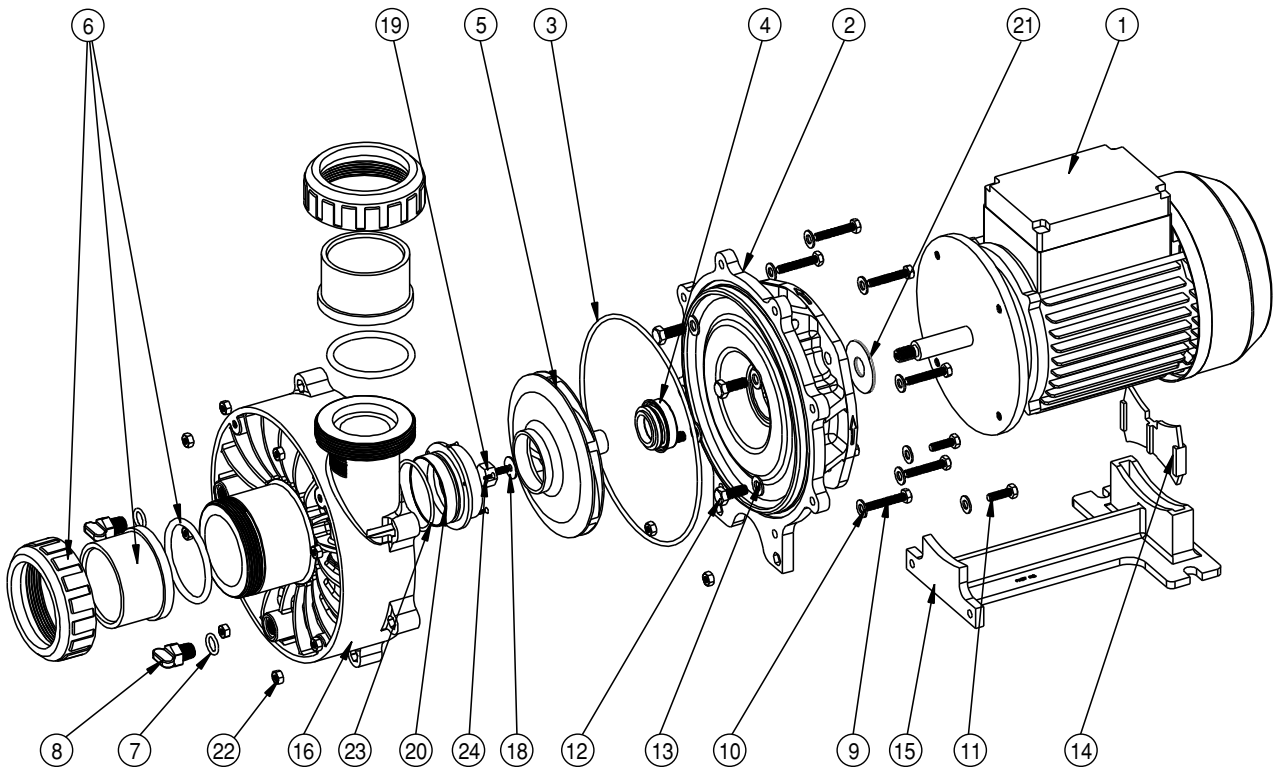


Hydrostorm Plus

Part Number	Product Description	Diagram No.	LIST PRICE
	Motor	1	N/A
63406813	Bracket Assembly	2	238.25 €
634070	Pump Body O-Ring	3	21.88 €
6340162	Mechanical Seal (316 S/S)	4	65.00 €
63401625	Mechanical Seal (Silicon Carbide S/S Viton)	4	204.00 €
6340120	Impeller (Hydrostorm Plus 100)	5	73.14 €
6340130	Impeller (Hydrostorm Plus 125)	5	73.14 €
63401430	Impeller (Hydrostorm Plus 150)	5	73.14 €
6340145	Impeller (Hydrostorm Plus 200)	5	73.14 €
6340157	Impeller (Hydrostorm Plus 250)	5	73.14 €
63401534	Impeller (Hydrostorm Plus 300)	5	73.14 €
63401533	Impeller (Hydrostorm Plus 350)	5	94.27 €
634015350	Impeller With Flats (Hydrostorm Plus 400)	5	93.93 €
634079	Suction Nozzle (100 - 250)	6	20.11 €
634081	Suction Nozzle (300 - 400)	6	20.11 €
634024BLK	2" Half Union C/W O Ring	7	11.28 €
63402400	63Mm European Metric Half Union C/W O Ring	7	11.07 €
W02280	2" Half Union O-Ring	7	3.87 €
63406550BLK	2 1/2" / 2" Half Union (Suit 6340783)	7	32.64 €
63406565EBLK	2 1/2" Half Union C/W 75Mm Metric Tail Piece C/W O Ring	7	32.64 €
644490	2 1/2" / 3" Half Union Plain End Only (Suit 6340783)	7	33.71 €
12780	Coupling 3"	N/S	15.61 €
634085	H/L Pot Basket	8	26.95 €
61214	H/L Pot O Ring	9	10.70 €
634082	H/L Pot Lid	10	21.13 €
61209	H/L Pot Lock Ring	11	34.53 €
63402301	Drain Plug	12	2.96 €
620193	O-Ring Bs112	13	3.78 €
634004211	Hydrostorm M6 Multi Pack Bolts & Washers (316 S/S)	14	20.35 €
	2 X 6340040 (M6 X 20 Bolt)		
	2 X 6340030 (M6 Washer)		
	2 X 6340060 (M6 Nut)		
63401830	10 X (M8 X 20 Bolt)		0.97 €
6302180	10 X (M8 Washer)		0.62 €
634021	Pump Foot Insert (100 - 350)	16	11.18 €
634073	Pump Foot Insert (400 Only)	16	11.19 €
634022	Pump Foot (100 - 350)	17	19.75 €
634072	Pump Foot (400 Only)	17	62.78 €
634011	Diffuser Gasket (100 - 250)	18	7.34 €
6340113	Diffuser Gasket (300 - 400)	18	6.39 €
634076	Pump Face H/L Pot Body 50Mm (Hydrostorm Plus 100 - 250)	19	549.19 €
634078	Pump Face H/L Pot Body 65Mm (Hydrostorm Plus 300, 350)	19	549.19 €
634010	Diffuser (Hydrostorm Plus 100 - 250)	20	68.26 €
6340103	Diffuser (Hydrostorm Plus 300, 400)	20	51.48 €
6340113	Suction Nozzle O-Ring	21	6.39 €
W22841	Diffuser Screw (Set Of 4) (100 - 250)	22	3.89 €
S1290816	Diffuser Screw (Set Of 4) (300 - 400)	22	4.97 €
82444205	O-Ring Bs011 (1Hp - 3Hp)	23	0.38 €
6340412	O Ring Bs113 (400 Only)	23	0.38 €
W22912	4 Hand Screw M5 X 18 Moulded	24	14.36 €
6340411	Nut M10 Overmoulded	24	15.62 €
631782	Motor Slinger (1Hp - 2.5Hp)	26	6.29 €
634086	Lid Toolbar (Suits All Pumps)	N/S	11.37 €

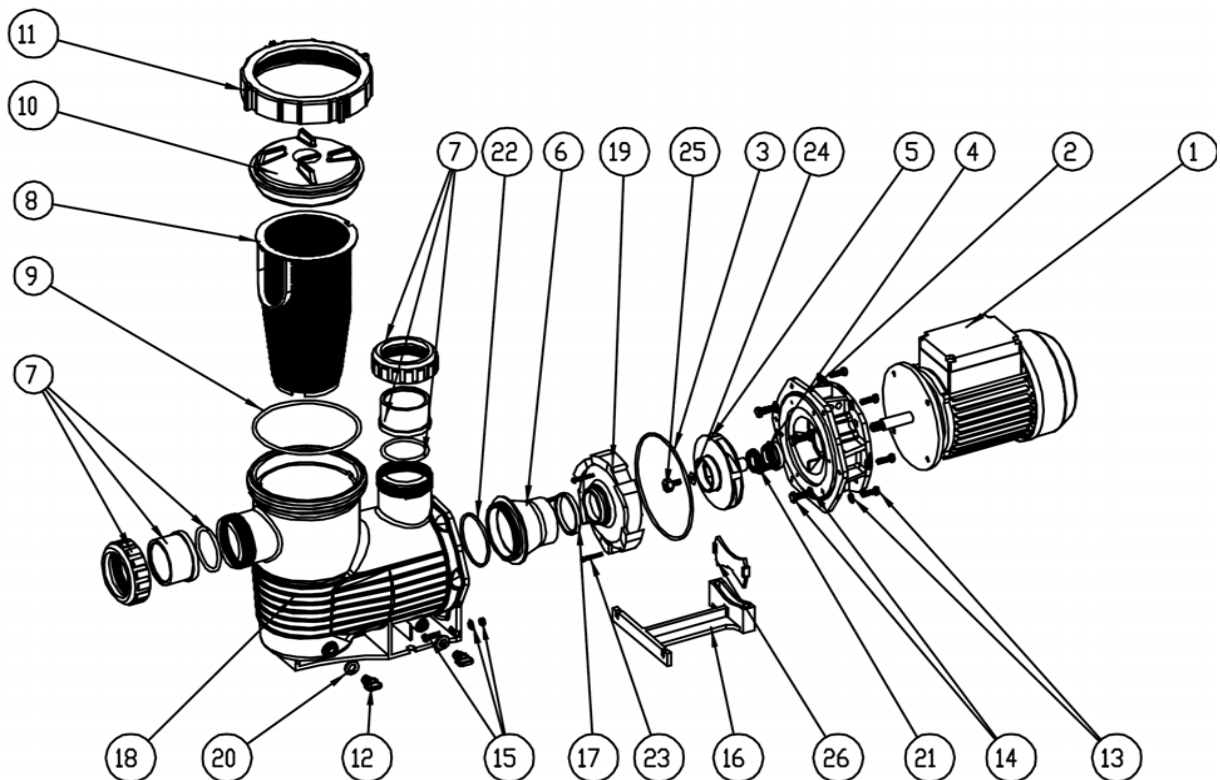
Turboflo

Part Number	Product Description	Diagram No.	LIST PRICE
	Motor	1	N/A
634101	Bracket	2	131.43 €
61307	Bracket O-Ring	3	7.35 €
6340162	Mechanical seal	4	65.00 €
634012	Impeller - 1.0hp	5	73.14 €
6340143	Impeller - 1.5hp	5	73.14 €
6340145	Impeller - 2.0hp	5	73.14 €
6340157	Impeller - 2.5hp	5	73.14 €
63401534	Impeller - 3.0hp	5	73.14 €
634055	Impeller - 4.0hp	5	86.65 €
634024BLK	Half Union 50mm with O Ring (x2)	6	11.28 €
620193	Drain Plug O Ring - BS112 (x2)	7	3.78 €
63402301	Drain Plug (x2)	8	2.96 €
63400411	Hex Set Screw - M6x35 SS316 (x8)	9	1.77 €
6340030	Washer - 1/4x9 SS316 (x10)	10	9.24 €
6340040	Hex Set Screw - M6x20 SS316 (x2)	11	1.61 €
63401830	Hex Set Screw - M8x20 SS316 (x4)	12	0.97 €
6302180	Washer - 5/16x5 SS316 (x4)	13	0.62 €
63402122	Foot Insert (alternate)*	14	11.18 €
634106	Pump Foot	15	12.05 €
634100	Pump Body	16	115.22 €
82444205	O-Ring BS011 (3HP & Below)	18	0.38 €
6340412	O Ring (for 4.0hp)	18	0.38 €
W22912	H/Hand Screw M5 x 18 Moulded (3HP & Below)	19	14.36 €
6340411	Nut M10 Overmoulded 4.0hp	19	15.62 €
634104	Suction Nozzle - 1.0hp to 2.5hp	20	4.38 €
631781	Motor Slinger - 1.0hp to 2.5hp	21	4.73 €
631782	Motor Slinger - 3.0hp, 4.0hp	21	6.29 €
72591133	Suction Nozzle O Ring - BS138 (1.0hp to 2.5hp)	23	2.71 €
63612642	PT Screw 3Gx6.5, Countersunk SS316 (x3)	24	0.47 €



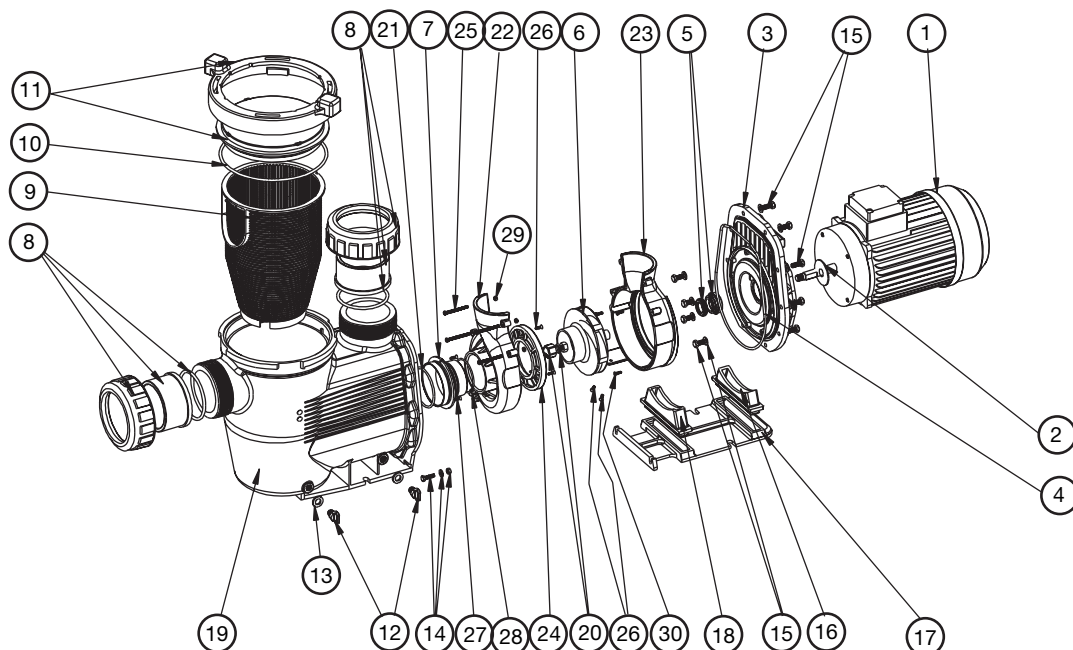
Hydrotuf

Part Number	Product Description	Diagram No.	LIST PRICE
	Motor	1	N/A
6350216	Hydrotuf Bracket	2	53.55 €
635028	Pump Body O ring	3	4.07 €
6340162	Mechanical Seal	4	65.00 €
63501625	Mechanical seal (silicone carbide s/s viton)	4	204.00 €
63501103	Impeller 100	5	81.25 €
63501403	Impeller 125	5	76.00 €
63501201	Impeller 150	5	76.00 €
6350232	Impeller 250	5	76.00 €
6350162	Impeller 300	5	76.00 €
634079	Suction Nozzle	6	20.11 €
634024BLK	2" imperial Half Union C/W O-Ring	7	11.28 €
63402400	63mm Metric Half Union C/W O-Ring	7	11.07 €
634085	H/L Pot Basket	8	26.95 €
61214	H/L Pot O ring	9	10.70 €
634082	H/L Pot Lid	10	21.13 €
61209	H/L Pot Lock Ring	11	34.53 €
63402301	Drain Plug 1/4" NPT (2 required)	12	2.96 €
620193	O-Ring BS112		3.78 €
6302180	10 x M8 Washer (4 required)		0.62 €
63401830	10 x M8 x 20 Bolt (4 required)		0.97 €
634004211	M6 Multi Pack Bolts & Washers 316 S/S 2 x 6340030 M6 Washer (8 required) 2 x 6340040 M6 x 20 Bolt (8 required) 2 x 6340060 M6 Nut (2 required)	15	20.35 €
6340223	Pump Foot	16	18.28 €
634011	Diffuser Gasket	17	7.34 €
63501915	Pump Face H/L Pot Body 50mm	18	239.13 €
635017	Diffuser	19	47.67 €
6340212	Pump Foot Insert (150, 200)	26	27.33 €
63402123	Pump Foot Insert (075, 100, 125)	26	27.33 €
634086	Lid Toolbar (suits all pumps)	n/s	11.37 €
6340113	O-Ring BS234	22	6.39 €
S1290816	Diffuser Screw (Require 4)	23	4.97 €
82444205	O-Ring BS011	24	0.38 €
W22912	L/Hand Screw Moulded	25	14.36 €



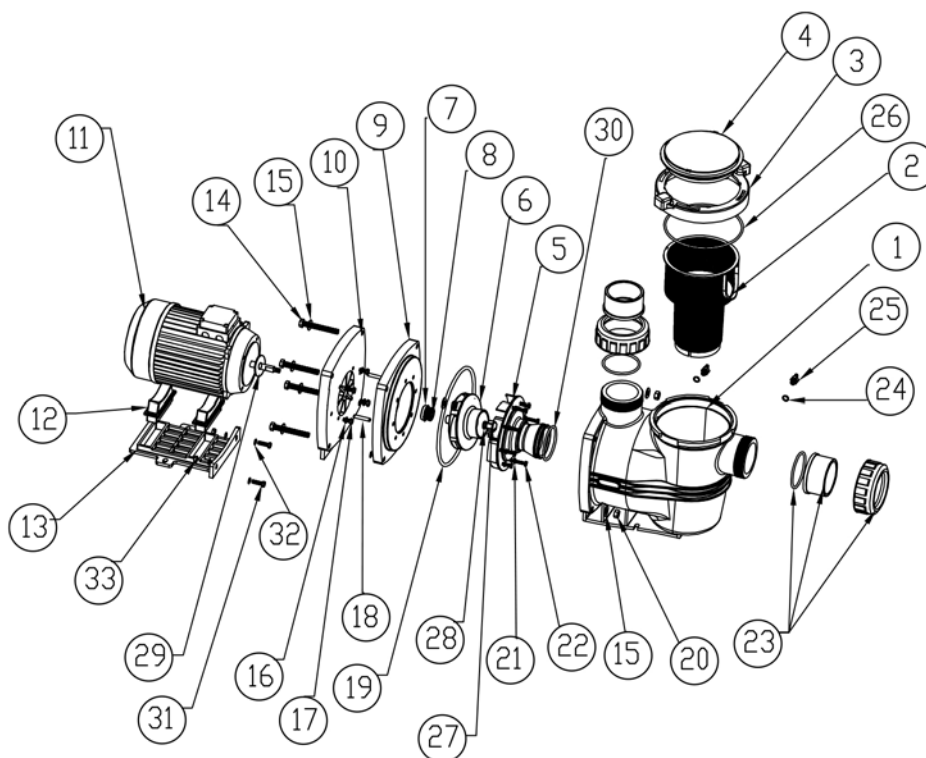
Hydrostar Commercial MK3 (Post 08/2006)

Part Number	Product Description	Diagram No.	LIST PRICE
	Motor	1 & 2	N/A
631782	Motor Slinger 52 X 16 X 2	2	6.29 €
6340682	Hydrostar Bracket	3	146.70 €
6340700	Bracket O Ring	4	21.89 €
6340162	Mechanical Seal (316 S/S)	5	65.00 €
63401625	Mechanical Seal (Silicon Carbide S/S Viton)	5	204.00 €
6340550	Impeller (Hydrostar 400 Mk2) To Suit Keyshaft	6	86.68 €
6340560	Impeller (Hydrostar 500 Mk2) To Suit Keyshaft	6	86.68 €
6340570	Impeller (Hydrostar 600 Mk2) To Suit Keyshaft	6	86.68 €
6340580	Impeller (Hydrostar 700 Mk2) To Suit Keyshaft	6	86.68 €
6340543	Hydrostar Volute Nozzle	7	9.82 €
634080BLK	3" Half Union C/W O Ring	8	44.32 €
634080EBLK	90Mm European Metric Half Union C/W O-Ring	8	33.84 €
W02249	3" Half Union O-Ring	8	10.47 €
6340630	Basket Pump Hydrostar Commercial	9	47.56 €
634075	H/L Pot Lid O-Ring	10	18.81 €
6340651	H/L Pot Quarter Turn Lid And Lock Ring	11	223.14 €
63402301	Drain Plug 1/4" Npt (2 Required)	12	2.96 €
620193	O-Ring BS112	13	3.78 €
634004211	M6 Multi Pack S/S 316 (Pack Of 2)	14	20.35 €
	2 X 6340040 (Screw M6 X 20 Hex Set SS316)		1.61 €
	2 X 6340030 (Washer Ss316 1/4" X 9/16" X 18G)		9.24 €
	2 X 6340060 (Nut M6 Hex Ss316)		4.16 €
63401830	14 X Screw Hex Set M8 X 20 S/S316		0.97 €
6302180	14 X Washer S/S 316 5/16" X 5/8" X 18G		0.62 €
634073	Pump Foot Insert (Hydrostar 400 - 600)	16/18	11.19 €
6340741	Pump Foot Insert (Hydrostar 700)	16/18	11.19 €
634072	Pump Foot (All Models)	17	62.78 €
6340514	Hydrostar Body 3" Port Mk2	19	406.09 €
6340411	Nut M10 Overmoulded (For Mk2 Motors)	20	15.62 €
6340412	O-Ring (BS113)	20	0.38 €
663393	O-Ring (BS152)	21	5.75 €
6340540	Volute Front	22	76.54 €
6340541	Volute Rear	23	68.02 €
6340542	Volute Insert (400, 500)	24	11.82 €
6340825	Screw M4 X 40Mm P/Head SS304 (4 Required)	25	1.53 €
6340828	Screw 8G X 5/8" Countersunk SS304 (5 Required)	26	1.53 €
W12276	1/2" X4g SS316 Screw	27	0.41 €
6340115	O-Ring (Bs145)	28	5.44 €
6340826	Nut M4 Nyloc Hex SS304 (4 Required)	29	1.53 €
6340827	Screw 8G X 13Mm Countersunk Ss304 (3 Required)	30	1.53 €



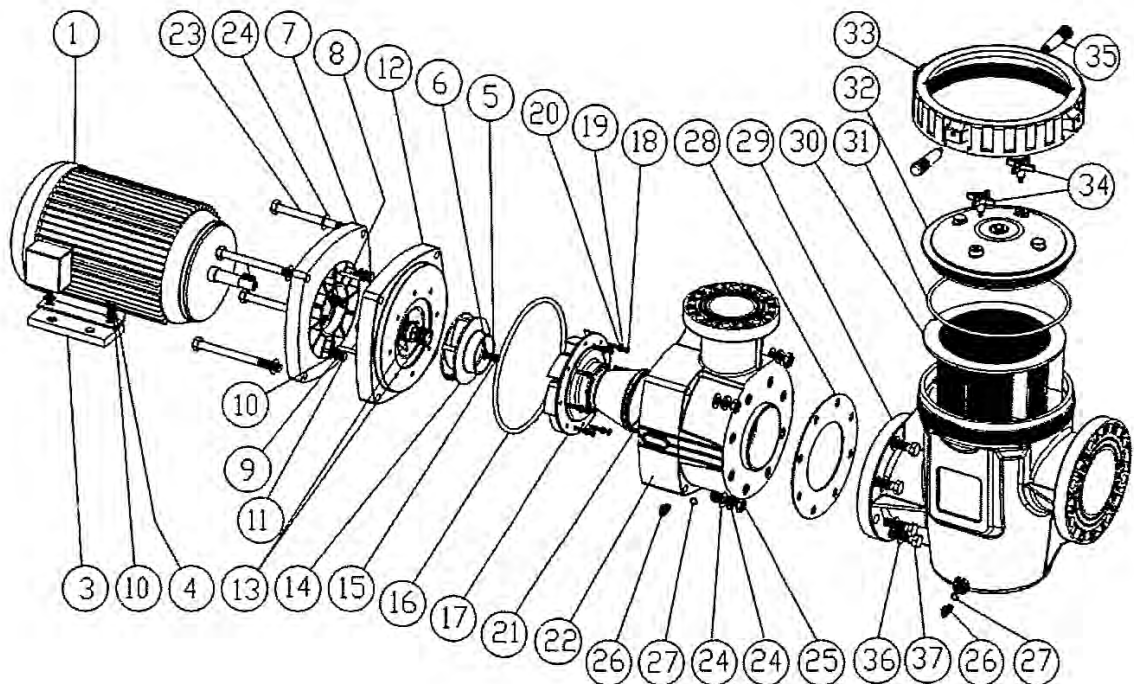
Hydrostar Commercial MK4

Part Number	Product Description	Diagram No.	LIST PRICE
6340516	Pump Housing 3"Port H/Star MK4	1	POA
6340630	Basket Pump H/Star Comm & S/Steel Pump	2	47.56 €
634065	Hydrostar Lock Ring	3	POA
634067	Hydrostar H&L Pot Lid	4	POA €
6346020	Diffuser W/Brass Ring H/Star MK4	5	POA
6340550	Hydrostar Impeller 4HP Key Way Shaft	6	86.68 €
6340570	Hydrostar Impeller 6HP	6	86.68 €
6340580	Hydrostar Impeller 7HP	6	86.68 €
634016201	Mech Seal Primary Seal Ring 6A Matte 316	7	POA
634016202	Mech Seal Mating Ring 6A Matte S/S 316	8	POA
6340162	Mechanical Seal 316SS G-0750-00-A1 7/	7/8	65.00 €
6346010	Pump Seal Plate W/In H/Star MK4	9	POA
6346000	Motor Adaptor Plate H/Star MK4	10	POA
	Motor	11	N/A
6340740	Pump Foot Insert 550-700 H/Star MK4	12	POA
6340744	Pump Foot Insert 400 H/Star MK4	12	POA
6340720	Pump Foot 400-700 H/Star MK4	13	POA
63409201	Bolt M12x100mm Hex HD SS316 Full Thread	14	POA
W32467	Washer Plain 1/2" UNC SS316	15	POA
6302180	T'Tuf Mounting Washer S/S316 5/16 x 5/8	16	0.62 €
6350545	Bolt M8 x 45mm Hex HD SS316	17	POA
6346500	Dowell Pin 8x47.5mm	18	POA
634607	O'Ring 258mm ID x 8mm	19	POA
63409391	Nut Hex STD M12 Brass NI Plated	20	POA
6340030	T'Tuf H/L Pot Foot Washer M6* S/S316	21	9.24 €
6346520	Bolt Hex HD 1/4" UNC x 1 3/4"SS316	22	POA
6340803	Half Union 80mm w/o'ring - Black	23	POA
620193	O'Ring BS112 ID12.37x2.62	24	3.78 €
63402301	Drain Plug 1/4" NPT	25	2.96 €
634075	Hydrostar Lid O'Ring G200 NBR 70SH	26	18.81 €
6340411	Nut Moulded M10 H/Star IMP	27	15.62 €
6340412	O'Ring Nut Moulded BS113 ID13.95x2.62	28	0.38 €
631782	Motor Slinger 52x16x2mmth	29	6.29 €
634608	O'Ring BS346	30	POA
63401840	Screw M8x30 SS316 Allen Key Head	31	POA
6302180	T'Tuf Mounting Washer S/S316 5/16 x 5/8	32	0.62 €
W32054	Hexagon Nut SS316 M8x1.25	33	POA



Hydrostar Plus

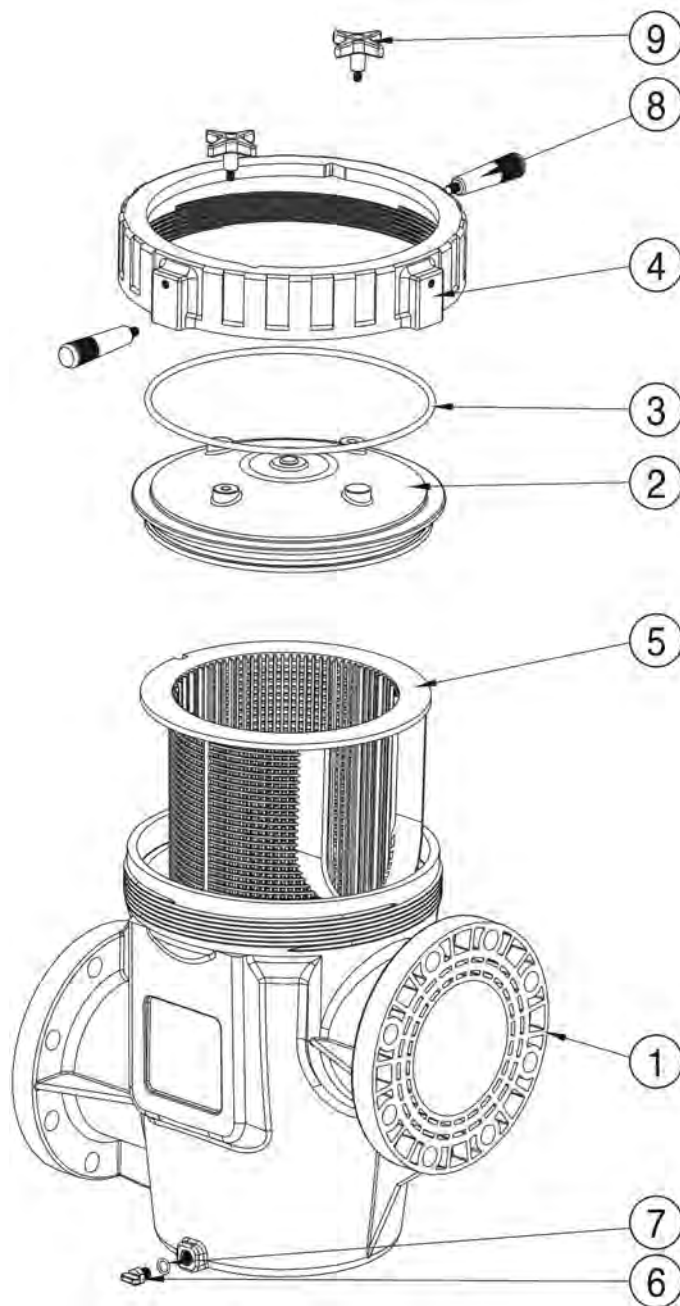
Part Number	Product Description	Diagram No.	LIST PRICE
	Motor	1	N/A
6340742	Motor Support Spacer	3	60.48 €
6340920	Bolt M12X25 Hex HD SS304	4	1.49 €
6345035	Spring Washer 3/8" S/Steel	5	0.95 €
6302181	M10 Washer SS	6	0.95 €
634600	Motor Adaptor Plate	7	56.79 €
6340650	Dowel Pin 5/16"X54mm SS316	8	3.95 €
W12769	Spring Washer 1/2" S/Steel	9	11.18 €
6340936	Plain Washer	10	2.89 €
W12768	Bolt 3/8" UNC x 1 S/Steel	11	4.03 €
634601	Pump Seal Plate w/Inserts	12	70.97 €
63401629	Mech Seal Type 2100 1" DIA	13	108.82 €
63401624	Marine Grade Mechanical Seal 1" DIA	13	239.15 €
634610	Impeller 10HP w/Insert	14	101.86 €
634611	Impeller 7.5 HP w/Insert	14	101.86 €
634651	Screw S/Head 3/8"-UNCX1"SS304	15	1.98 €
634605	O'Ring 286 ID X 9.5MM	16	17.10 €
634602	Diffuser w/Brass Ring	17	85.80 €
634652	Bolt Hex HD 1/4"-UNC X 1 3/4"SS304	18	1.82 €
645461	Salty/SS 1/4" Spring Washer	19	0.91 €
6340030	Washer	20	9.24 €
634606	O'Ring BS354	21	2.96 €
634604	Pump Housing H/Star + 10HP 4" JIS Flange	22	216.28 €
63409380	Bolt Hex 3/8"-UNC X 8" SS304	23	17.69 €
63409370	Washer 5/8"X 1 1/4"X 14G SS304	24	1.29 €
63402302	Drain Plug 1/4" BSP	26	2.96 €
620193	O'Ring BS112 Air R Vlv/Drain	27	3.78 €
63453064	Flange Gasket 6" Bore	28	31.54 €
63450580	PP Strainer Housing 6"FL Port B/Hydro	29	273.53 €
63450520	Strainer Basket Polypropylene Mk2	30	151.10 €
W32672	O'Ring Opal Lid	31	33.63 €
63450500	Strainer Lid PC Clear	32	182.05 €
620232	Filter Lock Ring 12"	33	231.83 €
W02629	Opal Cartridge Handle (AXFI168)	34	9.88 €
6202321	Handle 12" & 16" Lockring	35	52.20 €
63409370	Washer 5/8"X 1 1/4"X 14G SS304	36	1.29 €



Hydro Commercial Strainer

Product Codes: 2409058, 2409057, 2408054

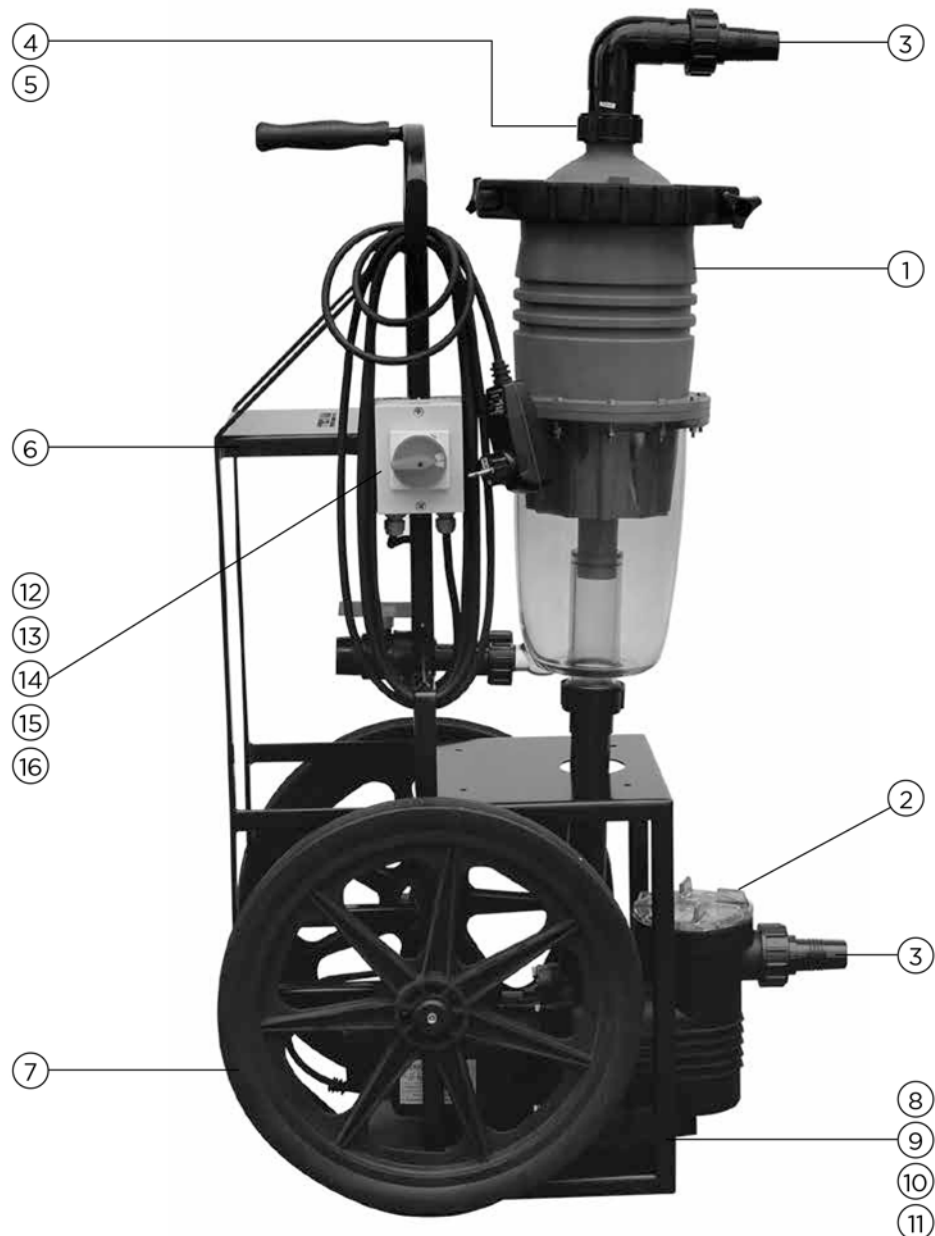
Part Number	Product Description	Diagram No.	LIST PRICE
63409031	PP Strainer Housing 4" Threaded Port SS	1	264.16 €
63409032	PP Strainer Housing 6" Flange Port SS	1	267.15 €
63450581	PP Strainer Housing 4" Flange Port B/Hydro	1	273.53 €
63450582	PP Strainer Housing 4" Threaded Port B/Hydro	1	39.91 €
63450580	PP Strainer Housing 6" Flange Port B/Hydro	1	273.53 €
63450500	Hair & Lint Pot Lid 12" PC Clear	2	182.05 €
W32672	Lid O Ring AS452A NBR 50 Shore	3	33.63 €
620232	Filter Lock Ring 12"	4	231.83 €
63450520	Strainer Basket PP	5	151.10 €
63402302	Drain Plug 1/4" BSP	6	2.96 €
620193	O Ring BS112	7	3.78 €
6202321	Handles x 2, Opal Lid/12" + 16" lock ring	8	52.20 €
W02629	CF Knob	9	9.88 €



Ultra Portable Cart

Product Codes: 200400UK, 200400EU

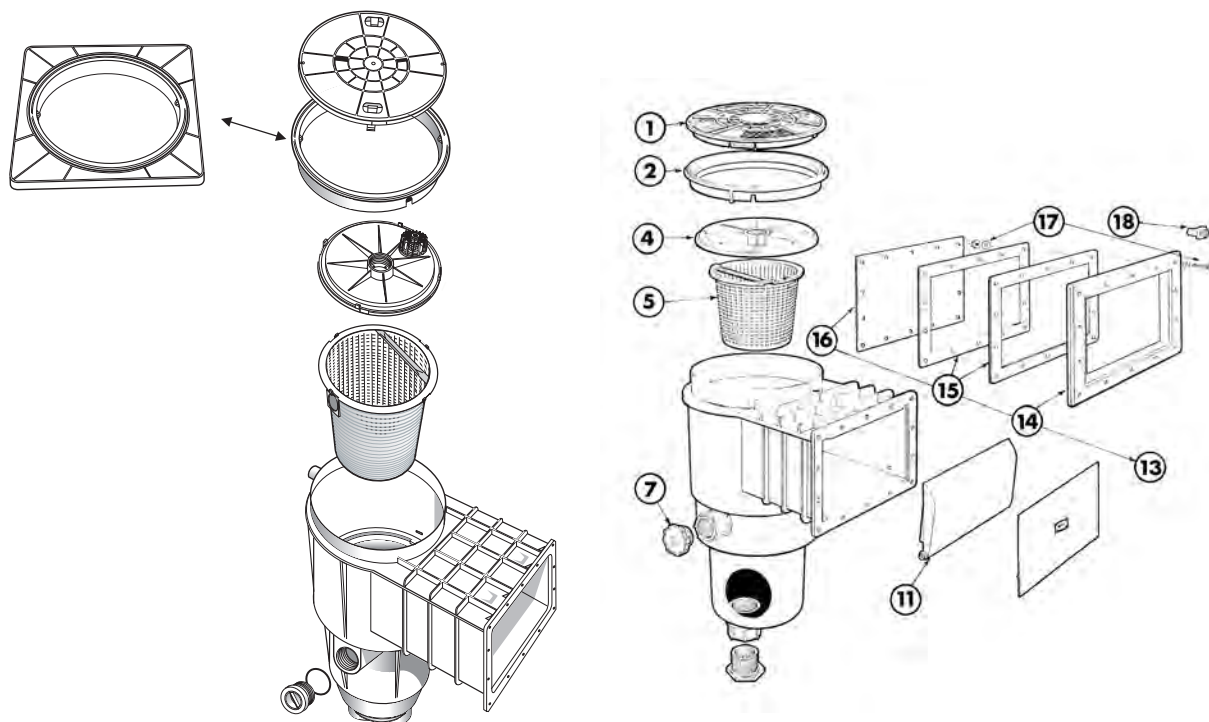
Part Number	Product Description	Diagram No.	LIST PRICE
200380	Multicyclone 12 Plus C40 Cart 50mm Metric EUM - See main pricelist	1	POA
2403050PNR-M	Supastream Pump 050 PNR Metric - see main pricelist	2	See Main Plist
122312	Hose Adaptor Barbed 1" x 1 1/2" Union	3	5.17 €
W02213	O-Ring 40mm B/U EPDM	4	5.03 €
W02208B	B/U Threaded End Slip / THRD 40mm Black	5	9.45 €
W32483	Metal Trolley Rack	6	2,093.00 €
W32487	Hollow Tread Wheel with PP Spoked Rim 20" x 13/4"	7	276.90 €
6340040	Bolt M6 x 20 SS316 For Pump Foot Mounting	8	1.61 €
W32478	Washer M6 SS304 For Pump Foot Mounting	9	0.62 €
W32479	Nut Hex M6 SS316 For Pump Foot Mounting	10	0.25 €
6340040	Washer M6 SS316 For Pump Foot Mounting	11	1.61 €
W32480	Screw M4 x 40 Allen Cap SS316 For Isolator Mounting	12	0.72 €
6340826	Nut M4 Nyloc Hexagonal SS304 For Isolator Mounting	13	1.53 €
W32482	Washer M4 SS316 For Isolator Mounting	14	0.06 €
S13314A	Wire Loom 1.5 x 300 Green For Grounding	15	1.74 €
W32484	Isolator 32A 230V - 440V & RCD Plug & Cable Assembly Suit UK Plug	16	441.24 €



Waterco Supaskimmer

Part	Product Description	Diagram No.	LIST
62411S	Deck lid Sandstone colour	1	60.93 €
624171S	Deck lid MK2 (Suit T/lock type) Sandstone	1	74.48 €
6241119S	Commercial deck lid assembly T/lock Sandstone GFABS - See main pricelist	1+2	POA
6241019S	Commercial dress ring T/lock Sandstone GFABS - See main pricelist	1+2	POA
62410S	Dress ring Sandstone colour - See main pricelist	2	POA
624181S	Square dress ring T/lock Sandstone	2	65.00 €
624191S	Round dress ring T/lock Sandstone	2	69.55 €
624105	Dress Ring Extension - 60mm		POA
624024	Supa skimmer leaf basket	5	39.94 €
62408	Supa skimmer vacuum plate / Skimtrol Assy	4	57.12 €
62469	Vacuum plate o ring BS 272		12.58 €
62407	Weir door assembly	11	39.94 €
62412	Weir door clip		4.25 €
62404	Plug 1/2"	7	22.40 €
29260	Escutcheon Assembly Kit	13	44.59 €
292631	Face plate standard	14	31.27 €
829111	Gasket set (2)	15	16.72 €
62444	Stainless steel screw each	17	1.17 €
62439	Escutcheon Clip	18	5.95 €
62426	Widemouth Escutcheon Kit		111.86 €
62438	Nutserts (Each)		1.80 €
W22579	Skimmer deck lid latch s/stone post Oct 2012		1.20 €
W22580	Skimmer deck lid slider s/stone post Oct 2012		1.20 €
SKIMTROL - CONTROL VACUUM PLATE			
W02266	Valve Spring		13.24 €
32731	Valve Stem		16.85 €
32732	Valve Strainer		8.52 €

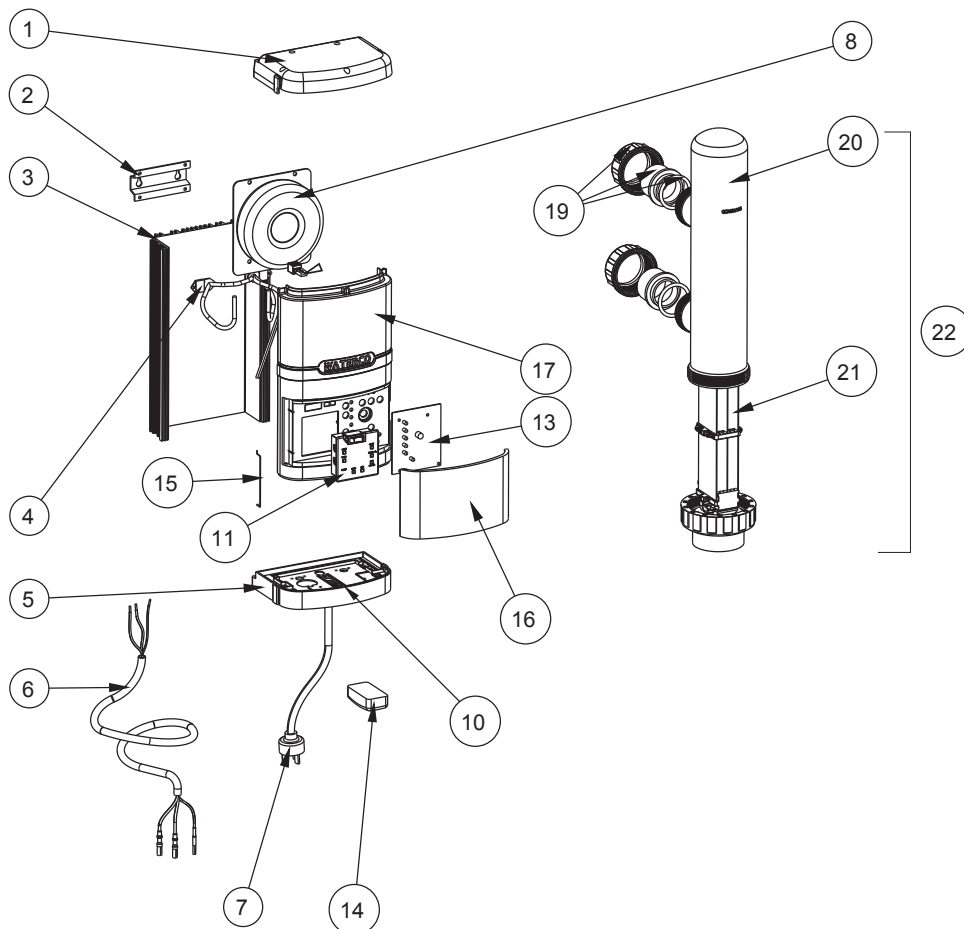
Post Oct 2012 additional interlocking mechanism is added



Hydrochlor

Product Code: 6450131

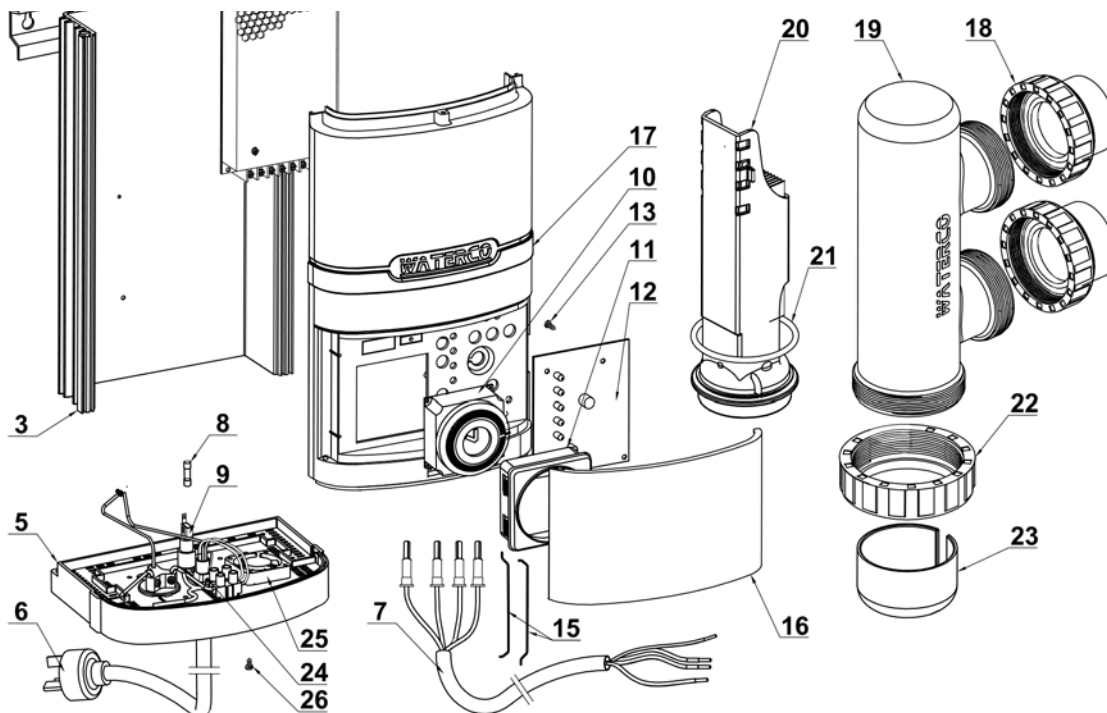
Part Number	Product Description	Diagram No.	LIST PRICE
6440232	Hydrochlor P/PAK Top	1	45.06 €
6440713	Mounting Bracket	2	21.71 €
6440710	Heatsink Power Pack	3	65.68 €
W24570	SCR Assembly 20A SC - 30A SC	4	217.49 €
644024	Chlorinator P/P Bottom Housing	5	40.94 €
64134	Mains Lead 10A 240V	7	20.55 €
644915	Cell Lead Assembly	6	65.68 €
641162	Toroidal Transformer 250VA 240V/8.5V	8	273.20 €
641160	Toroidal Transformer 400VA 240V/8V	8	359.01 €
641326	Fuse Slow Blow 4A 5 x 20mm	10	2.92 €
6440813	24 Hour Timer Hydrochlor	11	308.83 €
6450756	PC Board SC Hydrochlor	13	459.00 €
64128	Junction Box (suits all)	14	52.02 €
6440250	Spring Housing Window Top	15	1.30 €
6440251	Spring Housing Window Bottom	15	1.30 €
644025	Chlorinator P/P Housing Window	16	7.40 €
6440222	Hydrochlor P/Pk Front	17	95.61 €
634024BLK	Half Union Black 50mm c/w O'Ring	19	11.28 €
644509	Cell Housing 20A, 25A & 30A	20	83.45 €
64428614	Cell Plates Ass'y Hydrochlor 20A SC (nut not included)	21	531.44 €
64428615	Cell Plates Ass'y Hydrochlor 25A SC (nut not included)	21	684.21 €
64428616	Cell Plates Ass'y Hydrochlor 30A SC (nut not included)	21	843.71 €
6449620	Cell & Housing Ass'y Hydrochlor 20A SC	22	644.64 €
6449625	Cell & Housing Ass'y Hydrochlor 25A SC	22	757.17 €
6449630	Cell & Housing Ass'y Hydrochlor 30A SC	22	941.75 €
6450020	Hydrochlor 20A SC Power Pack	23	1,348.96 €
6450026	Hydrochlor 25A SC Power Pack	23	1,348.96 €
6450030	Hydrochlor 30A SC Power Pack	23	1,360.39 €
6450821	Current Sensing Harness		45.59 €
641360	Fuse Holder 20x5mm		28.48 €



Hydrochlor MKIII

Product Codes: 25140120, 25140125, 2540130

Part Number	Product Description	Diagram No.	LIST PRICE
6440232	Hydrochlor P/PAK Top	1	45.06 €
6440713	Mounting Bracket	2	21.71 €
6440710	Heatsink Power Pack	3	65.68 €
641181	SM Power Supply LRS 15-24	4	POA
644024	Chlorinator P/P Bottom Housing	5	40.94
64134	Mains Lead 10A 240V	6	20.55
644917	Lead Ass'y SMP Chlorinator	7	POA
641321	Fuse 3.15A Slow 20mm	8	POA
641360	Fuse Holder 20 x 5 mm	9	28.48 €
6440720	Time Switch Module 24H W/Battery Backup	10	POA
6440723	Timer w/o Battery Back-up	10	POA
644073	Bracket For Timer	11	POA
641187	PCB SMP Chlorinator Control	12	POA
S1120815	Screw 4Gx3/8" Phead SS 13	13	POA
6440251	Spring Housing Window Bottom	15	1.30 €
6440250	Spring Housing Window Top	15	1.30 €
644025	Chloe P/P Housing Window	16	7.40 €
6440222	Hydrochlor P/Pack Front	17	95.61 €
634024B	Half Union 50mm W/O'Ring (2 required) - Black	18	POA
644509	Cell Housing 20A, 25A & 30A	19	83.45 €
85529	O'ring 85x5	21	POA
63406551BLK	H/U Lock Nut 65mm Black	22	POA
644513	Chlorinator Series Cell Term Cap	23	POA
S123811	Cord Grip Heyco 1214	24	POA
644086	Fan 12v DC RS4010S12H	25	POA
72511884	Screw 6Gx1/2" Pan PH HD ST	26	POA
6450821	Harness Set Ass'y SMP H/Chl		45.59 €
64428720	Cell Plates Assy 2000 Standard		POA
64428725	Cell Plates Assy 2500 Standard		POA
64428730	Cell Plates Assy 3000 Standard		POA
64428820	Cell Plates Assy 2000 Premium		POA
64428825	Cell Plates Assy 2500 Premium		POA
64428830	Cell Plates Assy 3000 Premium		POA



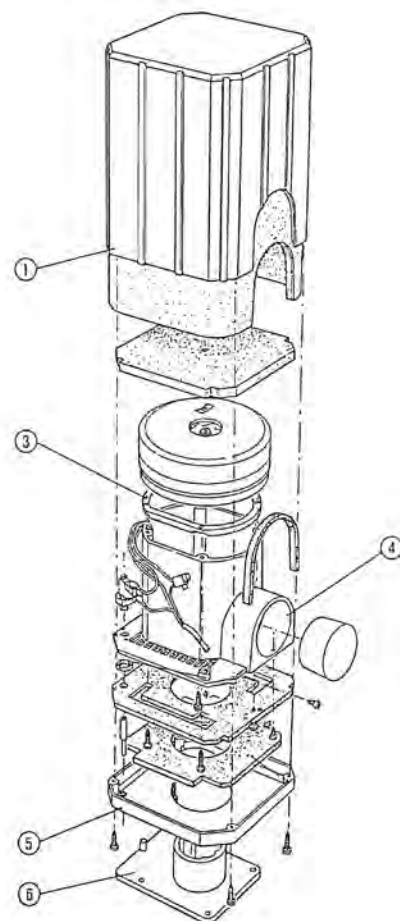
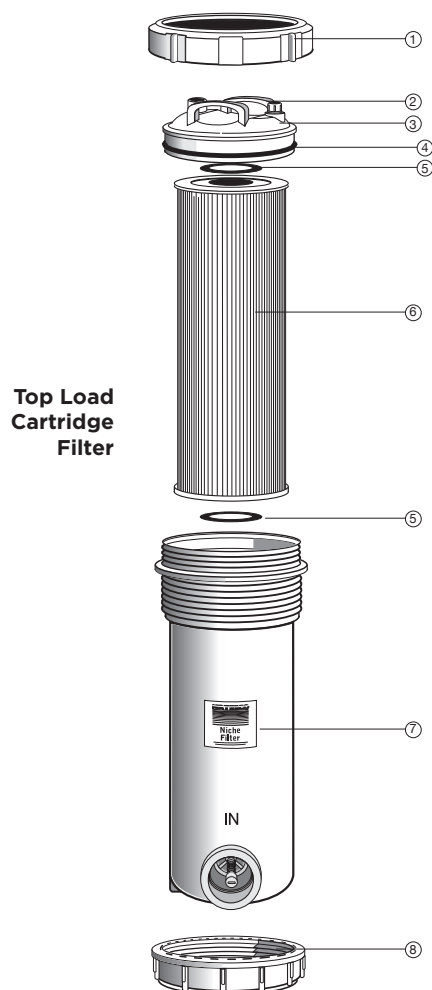
Top Load Cartridge Filter

Part Number	Product Description	Diagram No.	LIST PRICE
61209	Lid lock ring	1	34.53 €
61206	Air release valve	2	5.73 €
61207	Air release o ring	n/s	2.87 €
61205	Lid	3	26.41 €
61208	Lid o ring	4	10.70 €
61213	Spacer ring	5	4.31 €
62010	50sq ft cartridge	6	128.65 €
62009	75sq ft cartridge	6	176.06 €
61210	Top load filter tank 50	7	86.13 €
61211	Top load filter tank 75	7	118.42 €
61212	Body lock ring	8	22.98 €
61200	Bi-pass valve	n/s	20.67 €

Whisper Air / Airflo Blowers

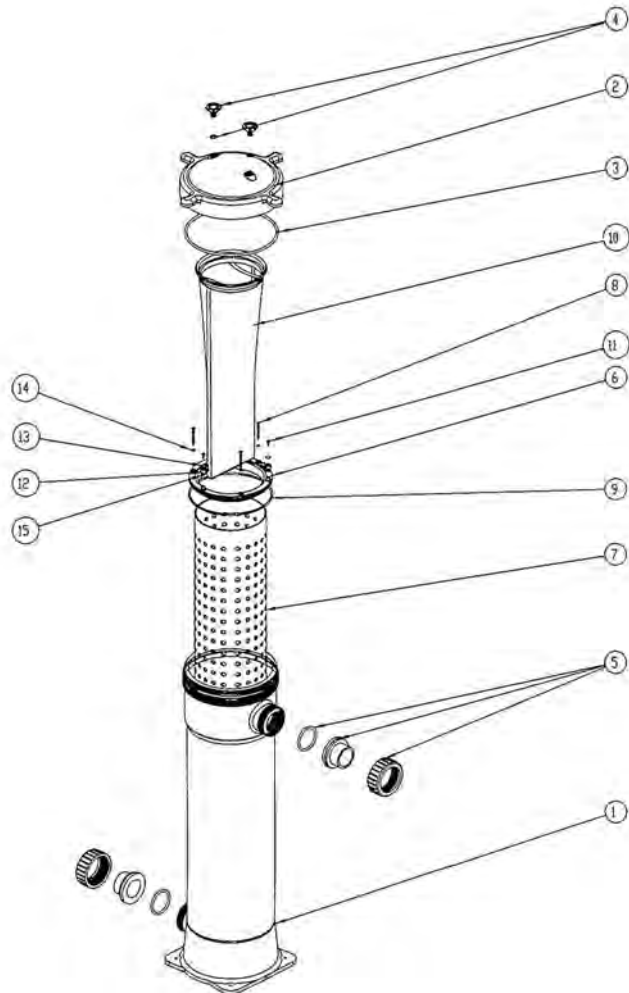
Product Code: 282410

Part Number	Product Description	Diagram No.	LIST PRICE
S130501	Blower outer housing	1	65.02 €
S130551	Blower motor mounting gasket	2	9.24 €
S130581	Internal motor mount	3	46.69 €
S130531	Blower bottom cowl	4	32.70 €
S130511	Blower base (stand)	5	23.01 €
S13785	Blower motor brushes (each)	6	74.83 €
S12811	Air Switch Latch	7	113.10 €
82443911	Fair-Rite Suppression Core		13.96 €
82443905	EMI Filter		58.68 €



Commandomatic Trimline Filters

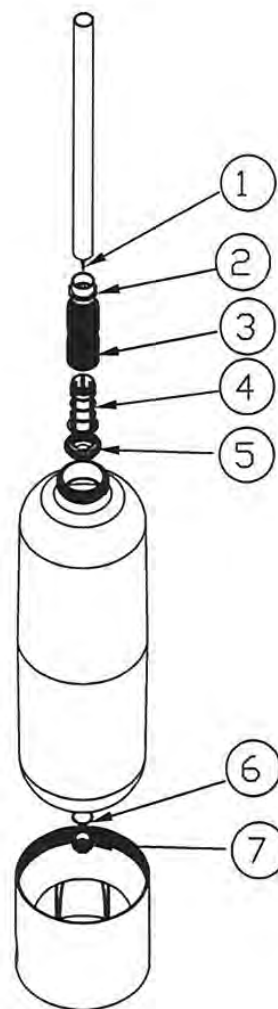
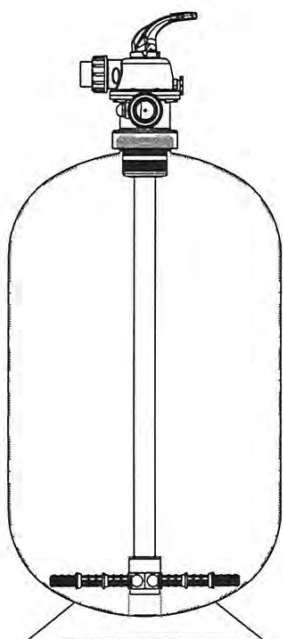
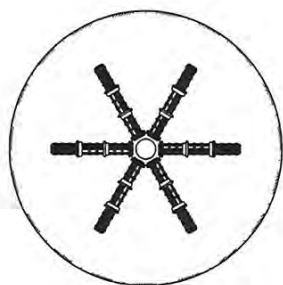
Part Number	Product Description	Diagram No.	LIST PRICE
COMMANDOMATIC BAG FILTER (TBF)			
3651931	1 micron filter bag - C50	10	See Main P.102
36519310	1 micron filter bag - C75	10	See Main P.102
3651924	5 micron filter bag - C50	10	See Main P.102
36519240	5 micron filter bag - C75	10	See Main P.102
3651925	25 micron filter bag - C50	10	See Main P.102
36519250	25 micron filter bag - C75	10	See Main P.102
3651926	50 micron filter bag - C50	10	See Main P.102
36519260	50 micron filter bag - C75	10	See Main P.102
36519265	800 micron filter bag - C50	10	See Main P.102
36519266	800 micron filter bag - C75	10	See Main P.102
62044180	Trimline Bag Filter C75 Tank Drilled	1	568.34 €
6204417	Trimline Bag Housing Lid	2	181.12 €
620262	O Ring G220	3	15.38 €
620261	O Ring G220 - Viton	3	33.47 €
620221	Air release valve (x1)	4	6.56 €
6201931	Air release valve - Viton (O Ring)	4	8.64 €
122256BLK	Half Union Trimline 2"/50mm Black (2 required)	5	10.18 €
122257BLK	Half Union Trimline 2"/1.5" Black (2 required)	5	12.10 €
W02647BLK	Lock nut 2" (2 required)	5	4.30 €
6340246BLK	Tail end 2" x 50mm (2 required)	5	3.56 €
W02648BLK	Tail end 2" x 1.5" (2 required)	5	4.60 €
W02280	O Ring BS332 Half Union 2"	5	3.87 €
3651947	Cage Ring	6	131.44 €
3651946	T/L Bottle with drill Hole - C50	7	117.36 €
36519460	T/L Bottle with drill Hole -C75	7	225.13 €
620292	Screw - CSK 10g x 50 SLD TPPNG	8	1.54 €
620293	O Ring 205 x 4	9	13.25 €
6340087	Screw - CSK 8g x 13 SLD TPPNG	11	0.59 €
620291	latch	12	3.72 €
620294	washer	13	1.72 €
82444204	o ring BS 011	14	2.54 €
82444205	o ring BS 010	15	0.38 €



W & WD Series Deep Bed Filter

Part	Product Description	Diagram No.	LIST PRICE
W02026BLK	Drain Plug 15mm Assembly		23.02 €
W02936	Pressure Gauge 110mm - 6 Bar		45.27 €
855172	Adaptor A15 Clack Valve (Auto Valve)		21.53 €
62093021	40mm End Plug	7	1.87 €
823319	DE Screw Elbow O-Ring 40mm	6	4.56 €
W22279	Locater + Bayonet Assembly	5	5.01 €
6209222	Lateral Diverter MK2	4	2.53 €
6209211	Lateral W300	3	4.39 €
6209252	Lateral Socket MK2	2	3.43 €
W22208	Screw G8 x 1" Stainless Steel 316 P/Head	1	0.61 €

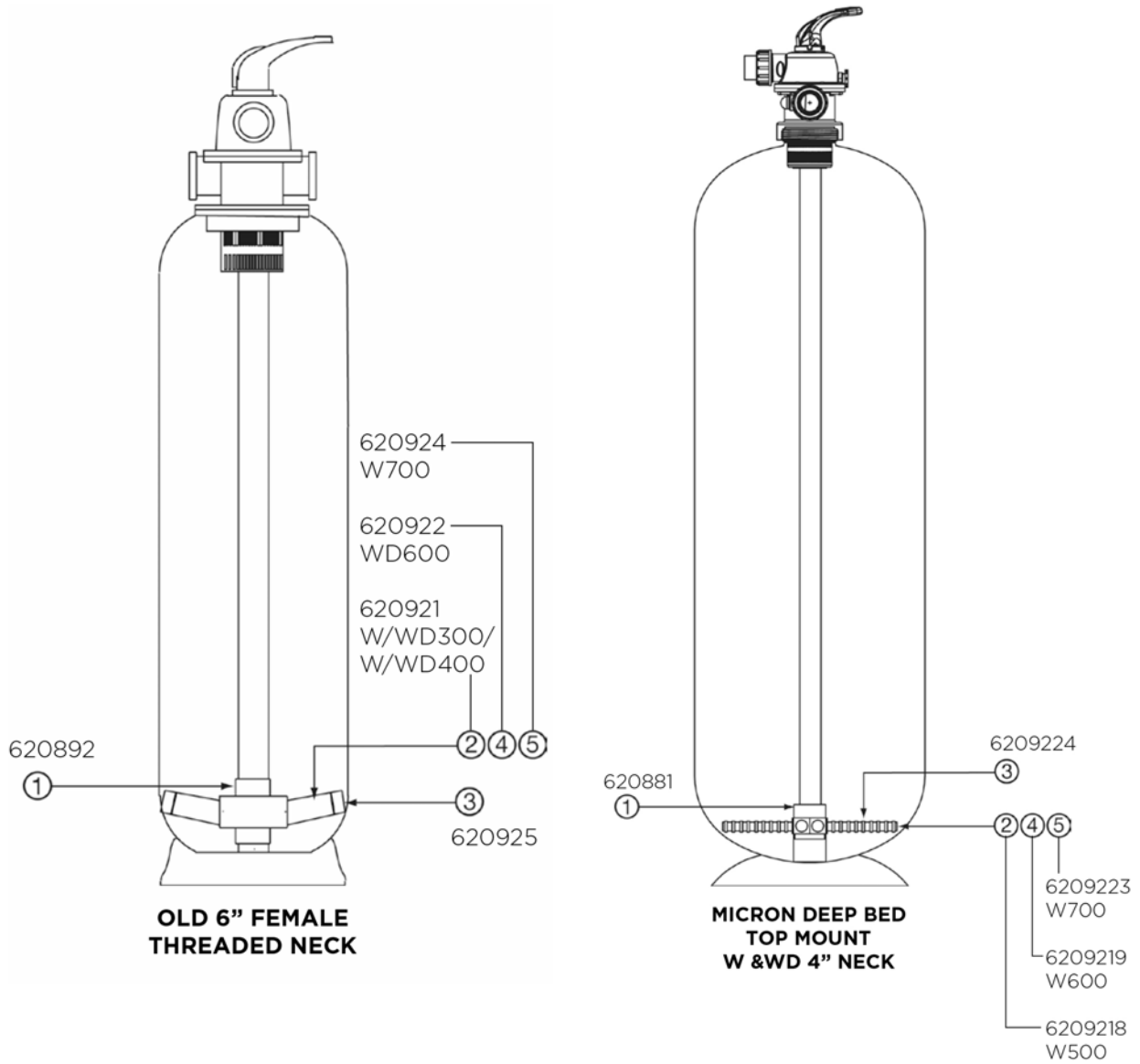
W & WD Series Deep Bed Filter



Model W250 & W300

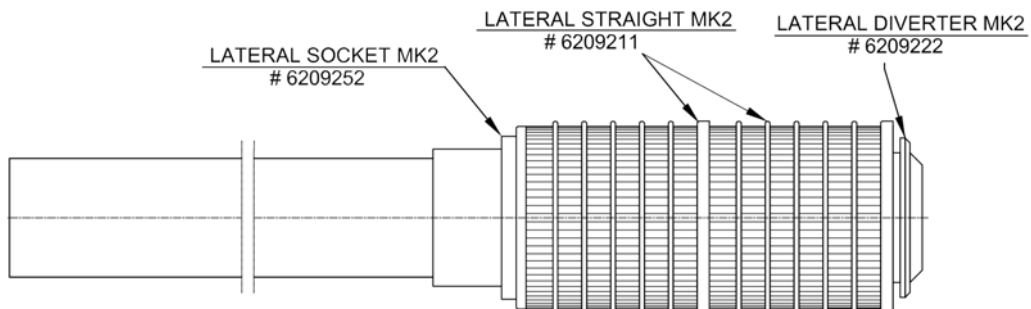
Part No:	Hexagonal Manifold	W02986	W02984	W02985	W02991
		LATERALS			
Model		40mm	60mm	120mm	120mm
W400/WD400	1	-	-	6	-
W500/WD500	1	6	-	-	6
W600/WD600	1	-	6	-	6
W700/WD700	1	-	-	6	6

W & WD Series Deep Bed Filter (Continued)



Underdrain Assembly

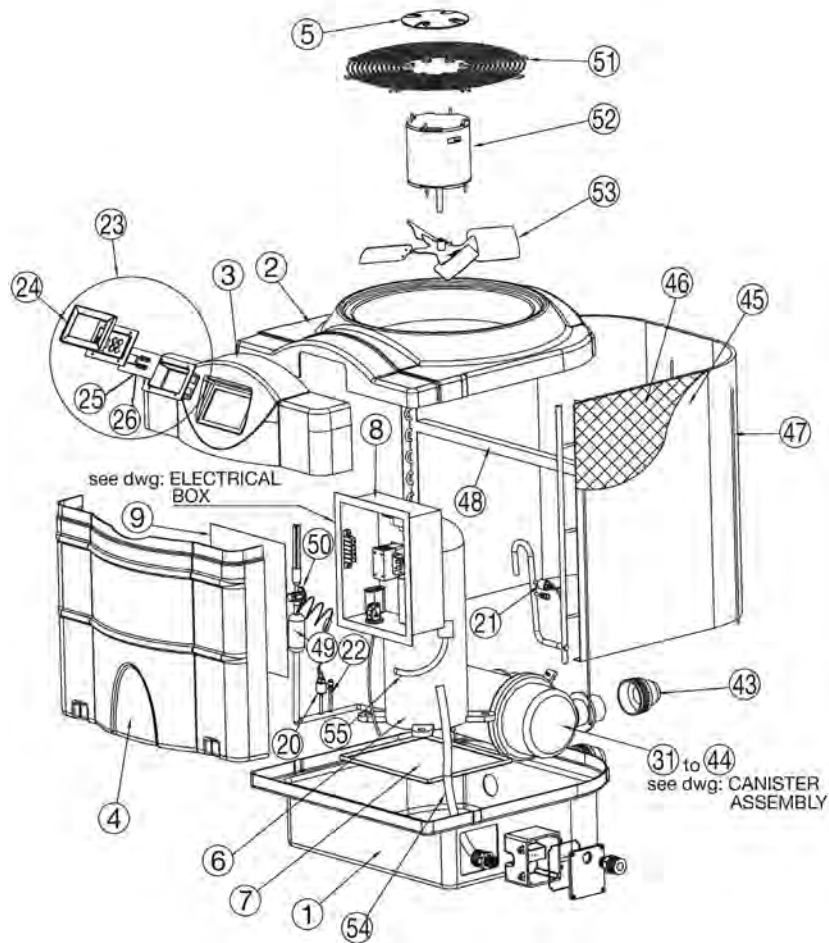
Part Number	Product Description	LIST PRICE
6209263	WD350 under drain assembly MK2	POA
6209262	WD300 under drain assembly MK2	POA
6209261	W350 under drain assembly MK2	POA
6209260	W250/W300 MK2 under drain assembly MK2	POA



Electroheat Plus MKII Models 85,105,125 150 Three Phase

Part Number	Product Description	Diagram No.	LIST PRICE
20-1524	Cabinet Ventilation Cap	5	31.36 €
10-1038	Compressor Scroll 5HP R407C (85)	6	1,786.87 €
10-1014	Compressor Scroll 6HP R407C (105)	6	2,307.83 €
10-1040	Compressor Scroll 7HP R407C (125)		POA
10-1047	Compressor Scroll 8HP R407C (150)	6	POA
ELECTRICAL BOX			
50-1103	5mf - 370 VAC	10	20.07 €
40-1006	Water Pressure Switch	11	52.64 €
80-1512	Retaining Ring Pressure Switch	11	2.05 €
50-1009	Contactors	12	189.03 €
40-0001	Transformer	13	63.51 €
40-0002	Fan Relay 24V	14	25.00 €
40-1017	Phase Monitor	15	333.78 €
20-1303	Clear Rubber Hose - 1m Length	16	3.13 €
SWITCH			
40-1002FV	425 - 325 PSI Flare R407C	20	58.14 €
40-1003V	25 - 50 PSI Flare R407C	21	58.14 €
10-1319	Access Valve Schrader	22	6.76 €
CONTROLLER			
40-2000	EH Control Assy - All Models (40-1032)	23	318.47 €
20-1527	Escutcheon White	24	POA
40-1030	Defrost Sensor Probe - Yellow	25	22.82 €
40-1031	Water Temperature Sensor Probe - Black	26	34.68 €
HEAT EXCHANGER			
10-1236M	56' Large Align W/Dcoil 19/23kW	34	1,125.63 €
10-1225	16' Small Opposite - In (Right) (105)	35	530.80 €
10-1226	16' Small Opposite - Out (Left) (105)	36	550.82 €
10-1227	20' Small Opposite - In (Right) (125)	37	749.47 €
10-1228	20' Small Opposite - Out (Left) (125)	38	749.47 €
10-1231	24' Large Opposite - In (Right) (150)	39	841.53 €
10-1232	24' Large Opposite - Out (Left) (150)	40	989.40 €
122243B	40mm Half Union c/w O Ring Black	43	7.31 €
05-1359	Connecting Tube	44	POA
FILTER DRYER			
10-1345	1/2" X 1 5/8" OD (85) (30-1106P)	49	66.57 €
10-1339	1/2" ODF 5 Tons (105, 125 & 150)	49	53.54 €
EXPANSION VALVE			
10-1359	Expansion Valve 4 Tons R407C	50	259.33 €
10-1372	Expansion Valve 5 Tons R407C (85)	50	291.55 €
10-1365	Expansion Valve 6 Tons R407C (105)	50	291.55 €
FAN GUARD			
60-1103	Round Medium (85)	51	95.39 €
60-1104	Round Large (105, 125 & 150)	51	108.47 €
FAN MOTOR			
30-1006	1/6 hp 900/1075 RPM (85)	52	331.26 €
30-1004	1/4 hp 900 RPM (105, 125 & 150)	52	465.98 €
FAN BLADES			
30-1106	Fan Blades 20" (85) (30-1106P)	55	98.53 €
30-1107	Fan Blades 22" (105, 125 & 150)	55	101.37 €
CANISTER			
20-1359	Plastic Clamp Band (one piece)	64	50.69 €
80-1504	Rubber O Ring	65	13.33 €
20-1300	Cable Gland 3/4 NPT	66	22.12 €
20-1306	Hose Nipple	67	1.94 €
20-1357	Hose Nipple O Ring	67	1.27 €
20-1319	Thermostat Well 67.5 mm	68	1.35 €
20-1320	Thermostat Well O Ring		1.35 €
50-1205	Light Indicator (85)	N/S	22.43 €

Electroheat Plus MKII Models 85,105,125 150 Three Phase

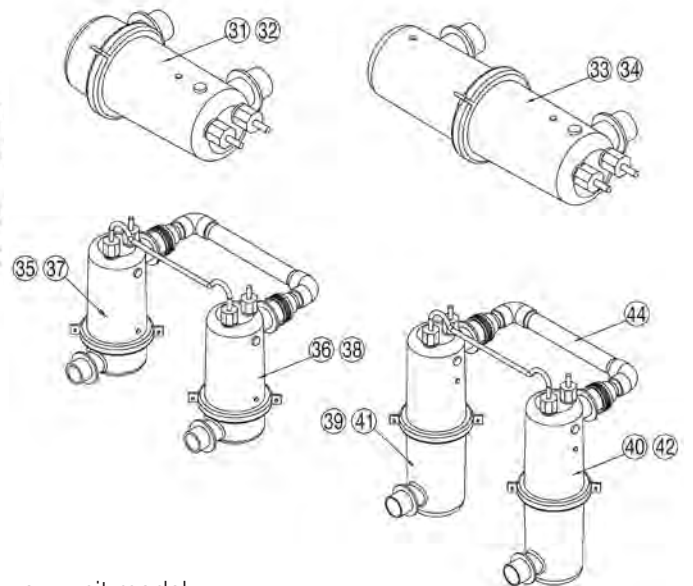
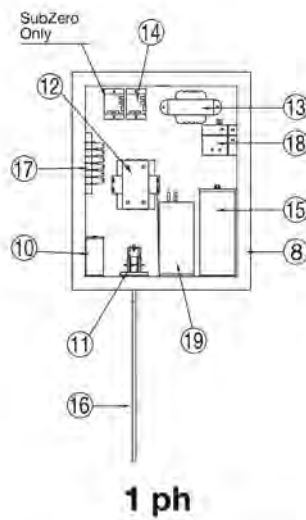
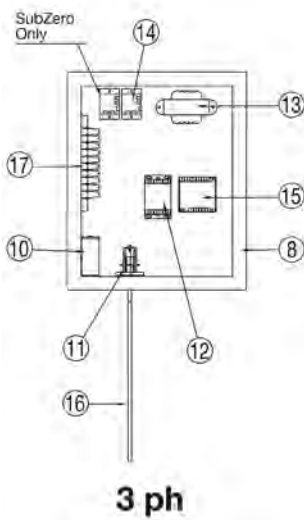


Electrical Box

(all models)

Canister Assembly

(all models)

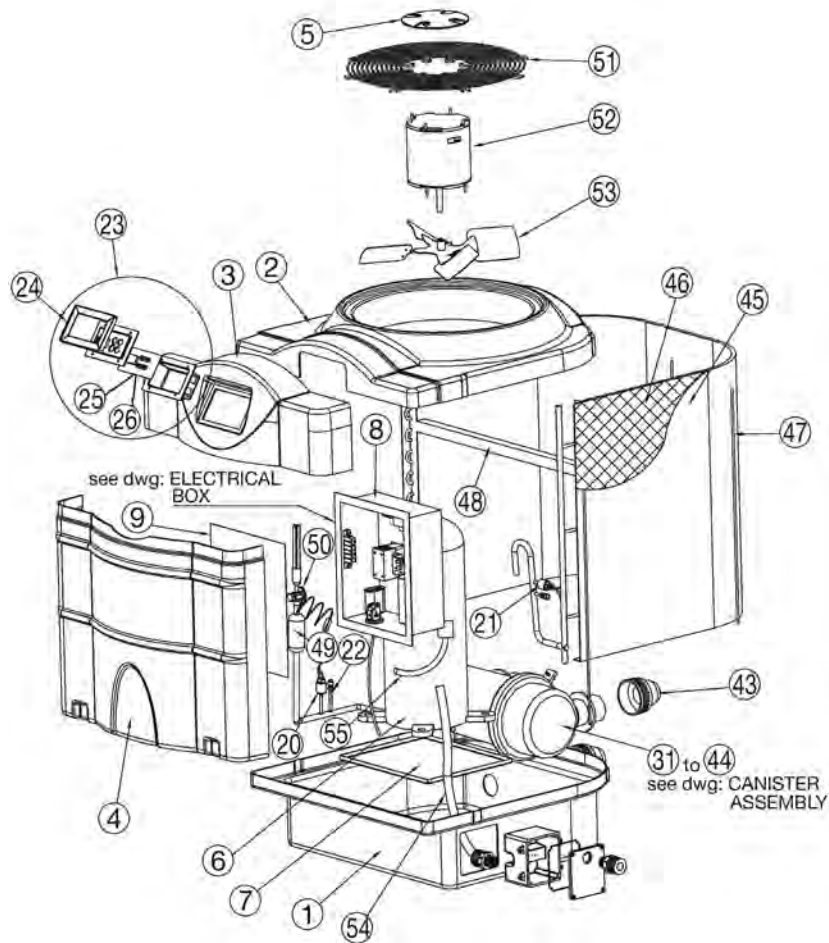


The images are for illustration only and may differ slightly to your unit model.

Electroheat Plus MKIII Models 25kW, 31kW, 37kW & 44kW Three Phase

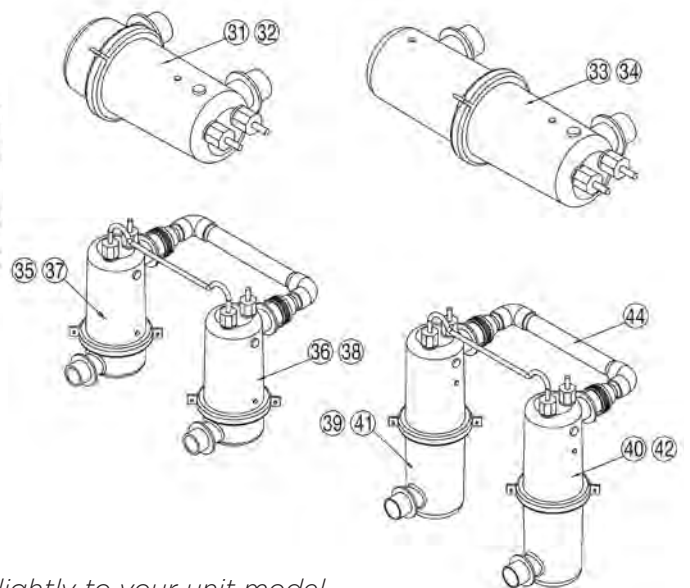
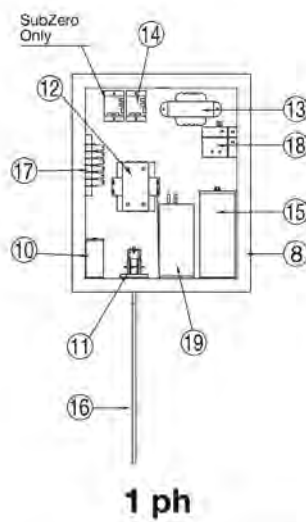
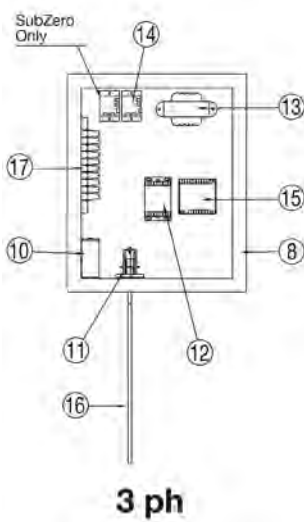
Part Number	Product Description	Diagram No.	LIST PRICE
20-1524	Cabinet Ventilation Cap	5	31.36 €
10-1065	Compressor Scroll 6hp R410A (25KW)	6	1,653.70 €
10-1070	Compressor Scroll 7hp R410A (31KW)	6	1,786.88 €
10-1071SA	Compressor Scroll 8hp R410A (37KW)	6	3,810.41 €
10-1072SA	Compressor Scroll 10hp R410A (44KW)	6	4,021.75 €
ELECTRICAL BOX			
50-1103	Capacitor 5MFD 370 VAC E/H80 - 150BTU	10	20.07 €
40-1006	Pressure switch	11	52.64 €
80-1512	Flat Washer	11	2.05 €
50-1009	Contactora (40A 24V 3-POLE)	12	189.03 €
40-0001	Transformer	13	63.51 €
40-0002	Relay 24V	14	25.00 €
40-1017	Phase Monitor	15	333.78 €
20-1303	Clear Rubber Hose	16	3.13 €
SWITCH			
40-1041	565 - 400 PSI Flare R410A	20	81.22 €
40-1033V	55 - 75 PSI Flare R410A	21	85.68 €
10-1311	Acces Vavle Schrader 5/16"	22	16.24 €
CONTROLLER			
40-2000	EH Control Assy - All Models (40-1032)		318.47 €
20-1527	Escutcheon White	24	POA
40-1030	Defrost Sensor Probe - Yellow	25	22.82 €
40-1031	Water Temperature Sensor Probe - Black	26	34.68 €
HEAT EXCHANGER			
10-1236M	56' Large Align W/Dcoil 19/23kW	34	1,125.63 €
10-1227	20' Small Opposite - In (Right) (31KW, 37KW)	37	749.47 €
10-1228	20' Small Opposite - Out (Left) (31KW, 37KW)	38	749.47 €
10-1233	28' Large Opposite - In (Right) (44KW)	41	841.53 €
10-1234	28' Large Opposite - Out (Left) (44KW)	42	940.97 €
122243B	40mm Half Union c/w O Ring Black	43	7.31 €
05-1359	Connecting Tube (31KW, 37KW & 44KW)	44	POA
FILTER DRYER			
10-1345	1/2" X 1 5/8" OD (25KW)	49	66.57 €
10-1339	1/2" ODF 5 Tons (31KW, 37KW & 44KW)	49	53.54 €
EXPANSION VALVE			
10-1377	Expansion Valve 5 Tons R410A (25KW)	50	611.98 €
10-1378	Expansion Valve 6 Tons R410A (31KW)	50	611.97 €
10-1379	Expansion Valve 8 Tons R410A (37KW)	50	654.66 €
10-1380	Expansion Valve 9 Tons R410A (44KW)	50	654.66 €
FAN GUARD			
60-1103	Round Medium (25KW)	51	95.39 €
60-1104	Round Large (31KW, 37KW & 44KW)	51	108.47 €
FAN MOTOR			
30-1006	1/6 hp 900/1075 RPM (25KW)	52	331.26 €
30-1004	1/4 hp 900 RPM (31KW, 37KW & 44KW)	52	465.98 €
FAN BLADES			
30-1106	Fan Blades 20" (16, 25KW) (30-1106P)	55	98.53 €
30-1107	Fan Blades 22" (31KW, 37KW & 44KW)	55	101.37 €
CANISTER			
20-1359	Plastic Clamp Band (one piece)	64	50.69 €
80-1504	Rubber O Ring	65	13.33 €
20-1300	Cable Gland 3/4 NPT	66	22.12 €
20-1306	Hose Nipple	67	1.94 €
20-1357	Hose Nipple O Ring	67	1.27 €
20-1319	Thermostat Well 67.5 mm	68	1.35 €
20-1320	Thermostat Well O Ring	68	1.35 €
50-1205	Light Indicator	N/S	22.43 €

Electroheat Plus MKIII Models 25kW, 31kW, 37kW & 44kW Three Phase



Electrical Box (all models)

Canister Assembly (all models)

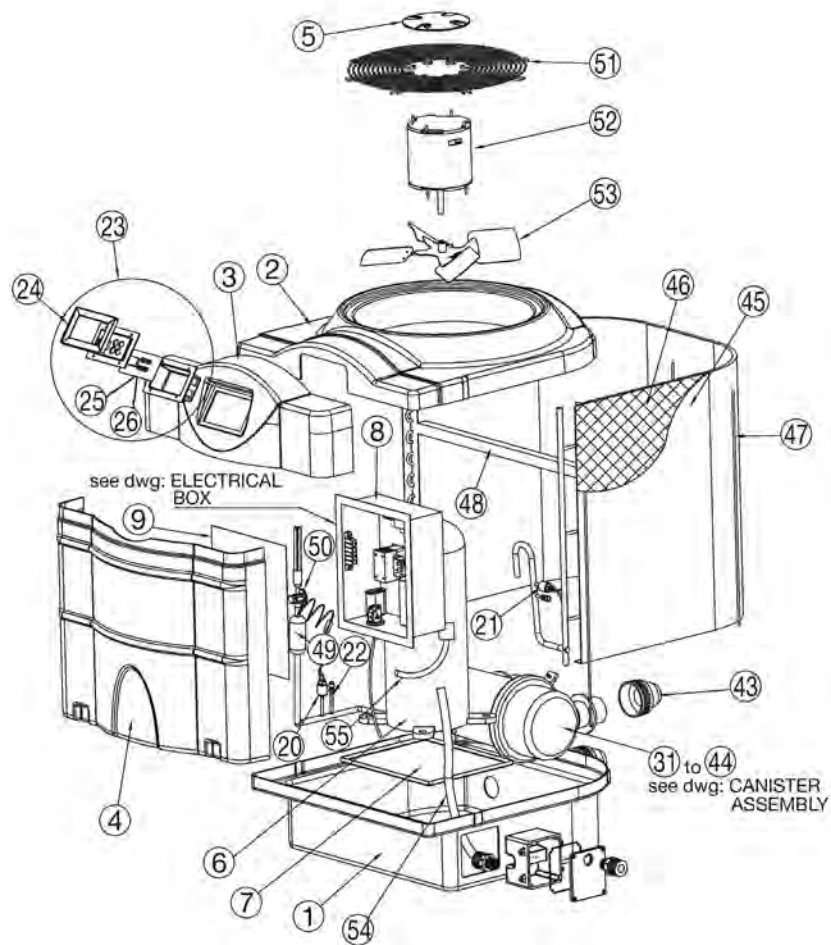


The images are for illustration only and may differ slightly to your unit model.

Electroheat Titanium MKIII Models 16kW & 23kW Single Phase

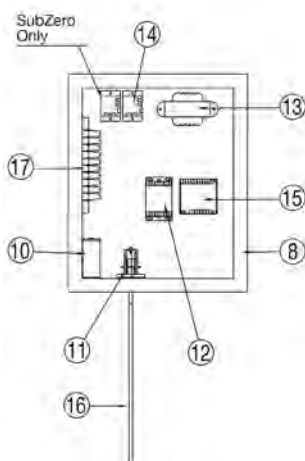
Part Number	Product Description	Diagram No.	LIST PRICE
20-1524	Cabinet Ventilation Cap	5	31.36 €
10-008DS	Compressor Scroll 4hp R407C (16KW)	6	1,836.06 €
10-1078CS	Compressor Scroll 4hp R410A (16KW)	6	2,497.75 €
10-1075DS	Compressor Scroll 5hp R410A (23KW)	6	1,814.38 €
10-1076DS	Compressor Scroll 6hp R410A (25KW)	6	5,641.24 €
ELECTRICAL BOX			
50-1103	5mf - 370 VAC	10	20.07 €
40-1006	Water Pressure Switch	11	52.64 €
80-1512	Retaining Ring Pressure Switch	11	2.05 €
50-1008	Contactora (40A 24V 2-POLE)	12	81.62 €
40-0001	Transformer	13	63.51 €
40-0002	Fan Relay 24V	14	25.00 €
50-1110	70 mf - 440 VAC (16KW)	15	60.67 €
50-1127	80 mf - 440 VAC (16KW)	15	129.03 €
50-1106	55 mf - 440 VAC (23KW)	15	58.56 €
20-1303	Tube PVC 30"	16	3.13 €
50-1333	Terminal Block 10 Poles (16KW, 23KW)	17	16.57 €
50-1119	Start Assist (16KW, 23KW)	19	60.68 €
SWITCH			
40-1002FV	425 - 325 PSI Flare R407C (16KW)	20	58.14 €
40-1041	565 - 400 PSI Flare R410A	20	81.22 €
40-1003V	25 - 50 PSI Flare R407C (16KW)	21	58.14 €
40-1033V	55 - 75 PSI Flare R410A	21	85.68 €
10-1311	Acces Valve Schrader 5/16"	22	16.24 €
CONTROLLER			
40-2000	EH Control Assy - All Models (40-1032)		318.47 €
20-1527	Escutcheon White	24	POA
40-1030	Defrost Sensor Probe - Yellow	25	22.82 €
40-1031	Water Temperature Sensor Probe - Black	26	34.68 €
HEAT EXCHANGER			
10-1230	20' Small Align (16KW)	32	665.56 €
10-1236M	56' Large Align W/Dcoil 19/23kW	34	1,125.63 €
122243B	40mm Half Union c/w O Ring Black	43	7.31 €
FILTER DRYER			
10-1345	1/2" X 1 5/8" OD	49	66.57 €
CAPILLARIES & EXPANSION VAIVE			
10-1425	Capillaries 6 X 34" TC 54 R407C (16KW)	50	POA
10-1451	Capillaries 6 X 41" TC 64 R410A (16KW)	50	POA
10-1405	Capillaries 6 X 24" TC 64 R410A (23KW)	50	2.00 €
10-1377	Expansion Valve 5 Tons R410A (25KW)	50	611.98 €
FAN GUARD			
60-1128	Compact Small (16KW)	51	128.48 €
60-1129	Compact Large (23KW)	51	37.32 €
60-1103	Round Medium (25KW)	51	95.39 €
FAN MOTOR			
30-1008	1/8 hp 900 (16KW, 23KW)	52	465.99 €
30-1006	1/6 hp 900/1075 RPM (25KW)	52	331.26 €
FAN BLADES			
30-1110P	Fan Blades 14" (13KW)	53	21.70 €
30-1103P	Fan Blades 16" (23KW) - old	53	112.84 €
30-1106P	Fan Blades 20" (25KW)	53	98.54 €
CANISTER			
05-1351	Inlet large (25KW)	56	1,059.73 €
20-1344	Stabilization Bar 9" (25KW) Required 1 each for both inlet & outlet	56	POA
05-1353	Outlet Large (25KW)	57	130.48 €
20-1359	Plastic Clamp Band (one piece)	64	50.69 €
80-1504	Rubber O Ring	65	13.33 €
20-1300	Cable Gland 3/4 NPT	66	22.12 €
20-1306	Hose Nipple	67	1.94 €
20-1357	Hose Nipple O Ring	67	1.27 €
20-1319	Thermostat Well 67.5 mm	68	1.35 €
20-1320	Thermostat Well O Ring	68	1.35 €
50-1205	Light Indicator	N/S	22.43 €

Electroheat Titanium MKIII Models 16kW & 23kW Single Phase

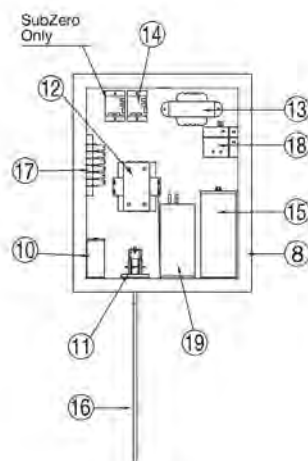


Electrical Box

(all models)



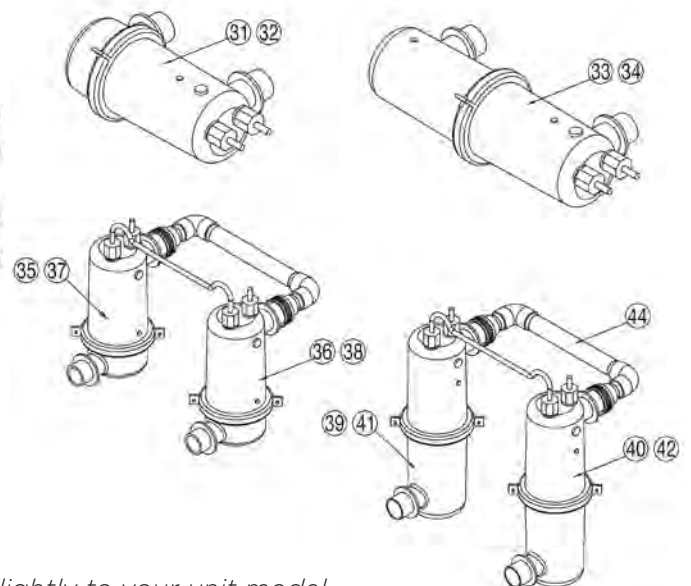
3 ph



1 ph

Canister Assembly

(all models)



The images are for illustration only and may differ slightly to your unit model.

Electroheat Inverter 12kW

Product Code: 2781210EU

Part Number	Product Description	List Price
COMPRESSOR		
69405523	Compressor Rotary Inverter Mitsubishi R410A	POA
69405524	Thermoacoustic Compressor Jacket	POA
SWITCHES		
69405525	High Pressure Switches OFF 3.6MPA (522 PSI)	POA
69405526	High Pressure Switches OFF 0.09MPA 13 PSI)	POA
69101311	Access Valve 5/16"	55.61 €
69401035	Adjustable Water Pressure Switch	52.63 €
CONTROLLER		
69405527	Inverter Controller System 3HP	POA
69405528	Inverter Controller Cover	POA
69405543	Controller Display Inverter	POA
69405544	PCB Inverter Controller Board	POA
69405545	Communication cable inverter	POA
69405546	Temperature sensor 10k L725mm Inverter	POA
69405547	Temperature Sensor x 3-L 1.2m 10k L0.7m (10k & 50k) inverter	POA
69405548	Temperature sensor 10k L2m inverter	POA
69405549	Inductor 500uH/25A inverter	POA
HEAT EXCHANGER		
69101235M	Heat Exchanger 28" Small Align with Double Coil	727.63 €
122243B	Half Union 40mm c/w 'O' Ring Black	7.31 €
W22125	plug 1/8 BSP Heat Pump	1.31 €
69201319	Thermostat Well 67.5mm	1.35 €
69801504	o-ring canister	POA
69405529	Nipple o-ring	POA
69405530	Thermostat Well o-ring	55.82 €
69405531	Clamp Band Heat Pump	POA
69201306	1/8" Barb nipple heat pump	1.94 €
69201300	3/4" Liquid tight connector 16mm dia. Seal	22.12 €
69405532	Canister outlet small	POA
FILTER DRIER & ACCUMULATOR		
69405533	Filter Drier 5 Tonne	POA
69405534	Accumulator	POA
CAPPILARIES & EXPANSION VALVE		
69405542	Electronic Expansion Valve	POA
FAN		
69601102	Fan Guard	POA
69801619	Rubber Grommit	POA
69405535	Fan Motor DC280V 8P IP44	POA
69405536	Fan blade 19.5" 3 blade plastic	POA
69405537	Fan cover black	POA
4 WAY REVERSING VALVES		
69405538	4 Way Reversing Valves	POA
PANELS		
69405539	Front Panel Inverter Grey	POA
OTHERS		
69405540	Flat Bar Support SS318	POA
69801024N	Cap Large - black Screws	POA
69801025	Cap Base for Big Screw Cap	POA
69405541	Nylon Screw Cover	POA

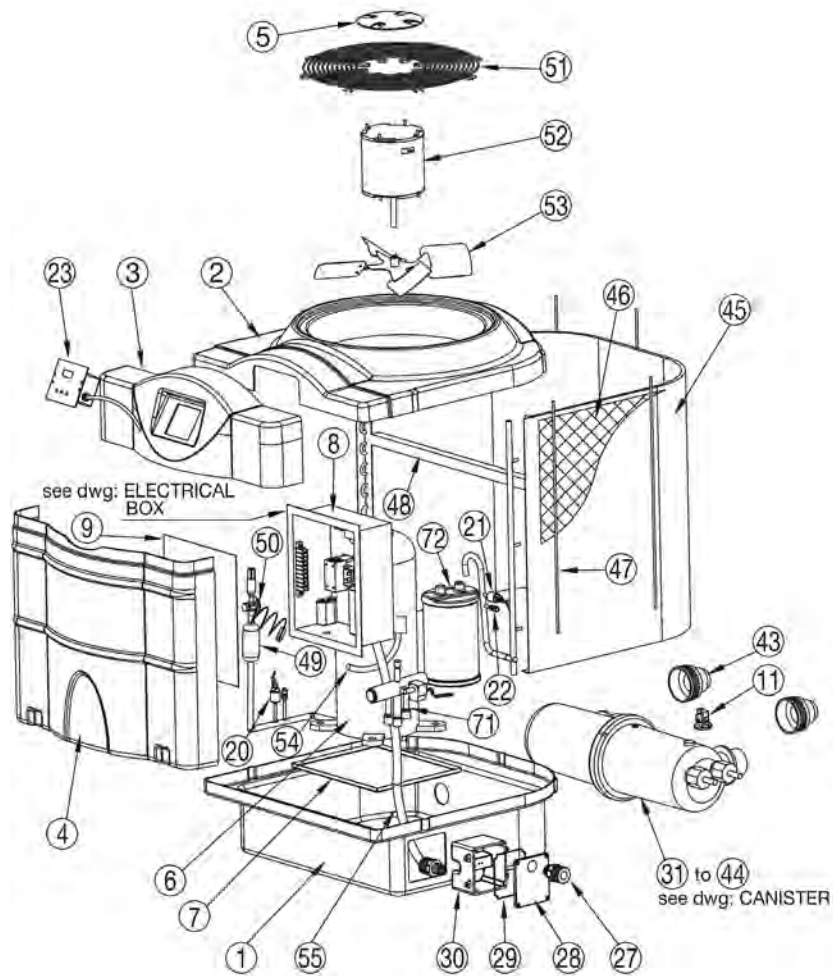
ElectroHeat Eco V Inverter 17,21,25kW

Part Number	Product Description	List Price
COMPRESSOR		
69405512	Compressor H42D5VZAAC2 Panasonic 25kW	2,151.15 €
69405550	Compressor 5V330ZAA21 Panasonic 17&21kW	POA
SWITCH		
69405509	Temperature sensor	7.13 €
69405510	Temperature sensor	10.73 €
69405511	Temperature sensor	7.26 €
69405507	Water Flow switch (2013)	50.12 €
69405517	High pressure switch	19.66 €
64905518	Low pressure switch	POA
CONTROLLER		
6940550	Variable frequency drive module 25kW	POA
6940551	Variable frequency drive module KLT1329 4.7kW 17 & 21kW	POA
69405501	Circuit board	214.81 €
69405502	Wired controller	127.29 €
HEAT EXCHANGER		
69101236M	Heat exchanger 56' Large Align with double coil	1,148.47 €
WATER CONNECTIONS		
69405522	Water inlet / outlet slip 1½ / 50mm	16.90 €
FAN		
69405506	Fan Motor YDK-200-6	362.28 €
69405521	Fan O560 169	99.53 €
ELECTRICAL		
69405503	Contactator 35A 5.5kW	159.42 €
69405504	Transformer 24V	21.46 €
69405505	Fan Mtr Capacitor 10QF/450V CBB61C	15.23 €
69405508	Relay JQX-105F- 4/220AC	18.89 €
69405513	Electronic expansion valve	127.81 €
69405514	Electronic expansion valve coil	56.42 €
OTHERS		
69405519	Needle valve R410A	10.35 €
69405520	Gas pressure gauge R410A	37.59 €
69405515	Four Way Valve STF	POA
69405516	Four Way Valve Coil	POA

Electroheat Ultra Models 22kW, 29kW & 44kW Three Phase

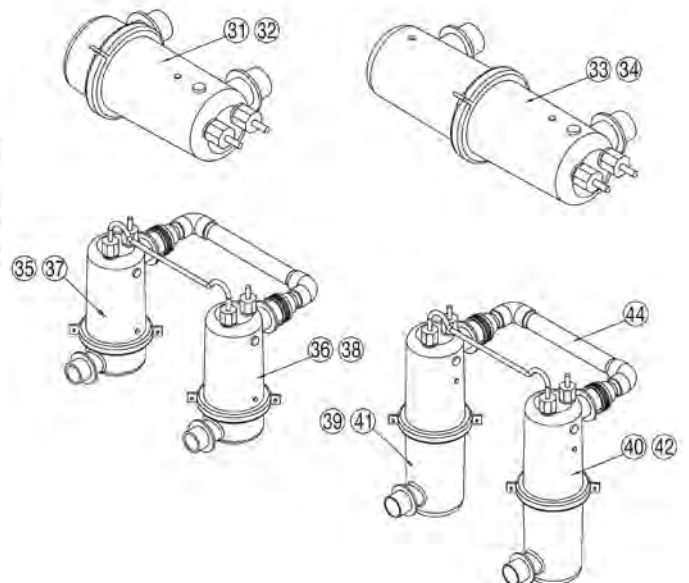
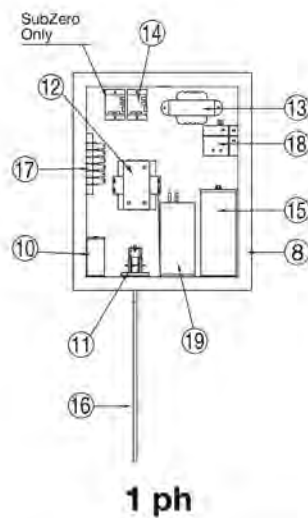
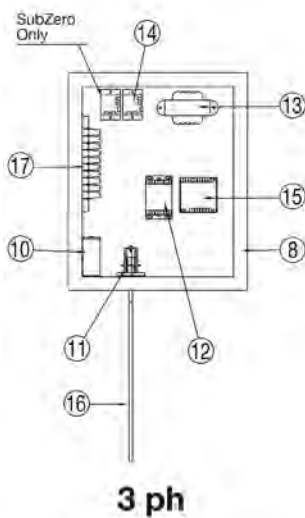
Part Number	Product Description	Diagram No.	List Price
20-1525	Ventilation Cap	5	41.39 €
10-1065SA	Compressor Scroll 6 HP R410A (22kW)	6	1,653.71 €
10-1070SA	Compressor Scroll 7 HP R410A (29kW)	6	1,786.87 €
70-1208EC	Compressor Support Scroll 4 Holes	7	21.69 €
10-1072SA	Compressor Scroll 10 hp (44kW)	6	4,021.75 €
ELECTRICAL BOX			
50-1103	5 mf - 370 VAC	10	20.07 €
40-1006A	Pressure Switch	11	52.63 €
50-1009	Contactora	12	189.03 €
40-0001	Transformer	13	63.51 €
40-0002	Relay 24 V	14	25.00 €
40-1017	Phase Monitor	15	333.78 €
50-1333	Terminal Block 10 poles	17	16.57 €
SWITCH			
40-1040	50 - 25 PSI R410A (All Models) - Low Pressure	20	81.91 €
40-1041	565 - 400 PSI R410A (all Models) - High Pressure	20	81.22 €
10-1311	Acces Valve Schrader 5/16"	22	16.24 €
CONTROLLER			
40-5000M2	Control Assembly Multi function	23	318.48 €
HEAT EXCHANGER			
05-1305R	16' Small Opposite - In (Right) 22KW	35	2,529.02 €
05-1305L	16' Small Opposite - Out (Left) 22KW	36	2,529.02 €
05-1306R	20' Small Opposite - In (Right) 29KW	37	2,644.46 €
05-1306L	20' Small Opposite - Out (Left) 29KW	38	2,644.46 €
122243B	40mm Half Union c/w O Ring Black	43	7.31 €
10-1236MR	Large Opposite in (Right) 44KW		1,098.88 €
10-1236L	Large Opposite out (Left) 44KW		1,098.88 €
05-1362	Connecting Tube PVC	44	19.53 €
FILTER DRYER			
10-1340	Bi-Flow 1/2" ODF 5 Tons (22kW & 29kW)	49	243.51 €
10-1376	Bi Flow 3/8" ODF 10 Tons (44kW)	49	280.40 €
EXPANSION VALVE			
10-1381	Expansion Valve 4 Ton R410A (22kW)	50	611.98 €
10-1378	Expansion Valve 6 Ton R410A (29kW)	50	611.97 €
10-1380	Expansion Valve 9 Ton R410A (44kW)	50	654.66 €
FAN GUARD			
60-1104	Round Large (All Models)	51	108.47 €
FAN MOTOR			
30-1004	1/4 hp 900 RPM (All Models)	52	465.98 €
FAN BLADES			
30-1107	Fan Blades 22"	53	101.37 €
CANISTER			
W22041	Plastic Clamp Band (one piece)	64	7.95 €
W12419	Rubber O Ring	65	13.33 €
20-1300	Cable Gland 3/4 NPT	66	22.12 €
20-1306	Nipple 1/8" Barb	67	1.94 €
W22031	Hose Nipple O Ring	67	3.37 €
20-1319	Thermostat Well 67.5 mm	68	1.35 €
W22038	Thermostat Well O Ring	68	3.37 €
OTHERS			
50-1205	Light Indicator	70	22.43 €
10-1362	4 Way Reversing Valve	71	140.07 €
10-1501	Suction Line Accumulator	72	366.52 €

Electroheat SubZero and Ultra



Electrical Box
(all models)

Canister Assembly
(all models)



Electroheat MKIV & Ultra

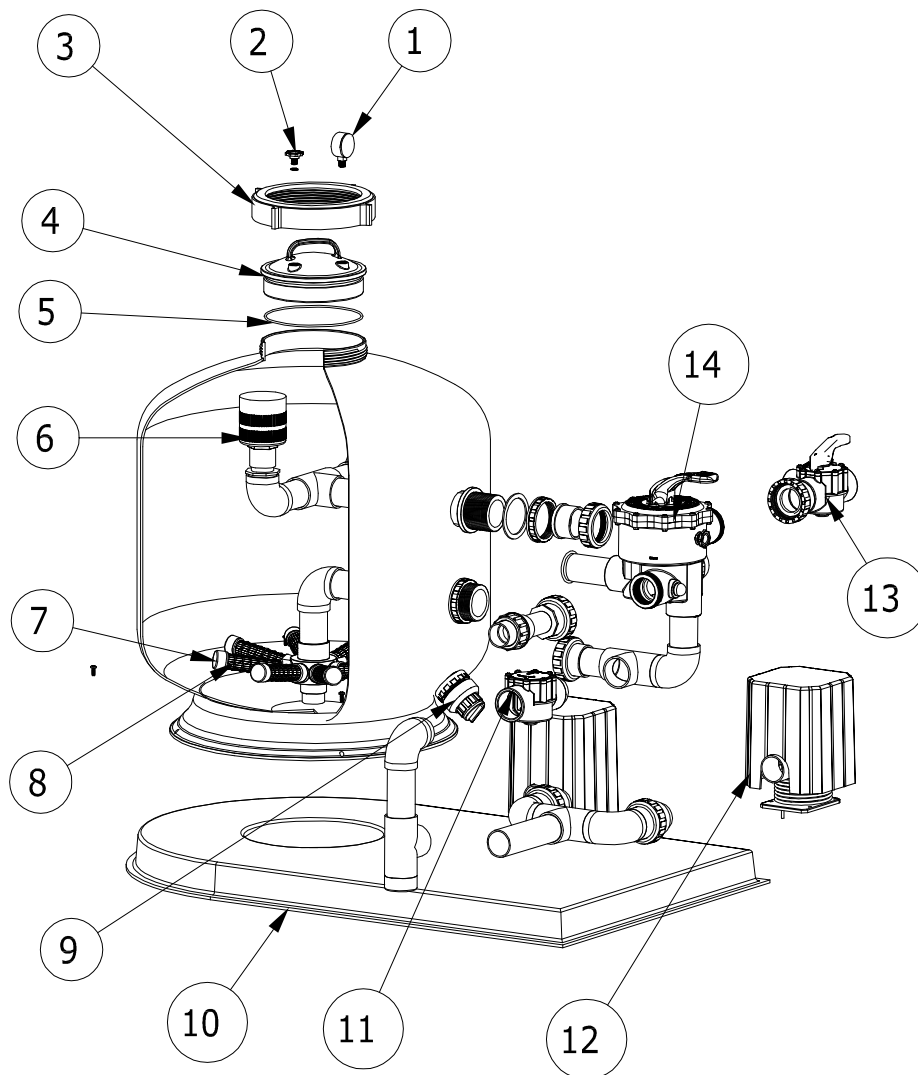
Product Codes: 278092, 278094, 278122, 278151, 278191, 278231, 2781911, 2782311

Part Number	Product Description	List Price
COMPRESSOR		
10-1024HI	Compressor Rotary 2.4HP R410 240V 50HZ (9kW)	1,317.60 €
10-1084HI	Compressor Rotary 3.2 HP R410 240V 50HZ (12kW & 15kW)	841.59 €
10-1074SA	Compressor Scroll 4.5 hp R410A (19kW)	1,667.00 €
10-1076DS	Compressor Scroll 6.0 hp R410 (23kW)	5,641.24 €
HEAT EXCHANGER		
10-1235M	Heat Exchanger 28' Sml Align with Double Coil (9KW - 278094 / 12KW / 15kW)	2,915.51 €
10-1236M	Heat Exchanger 56' Large Align with Double Coil (19kW/23kW)	1,125.63 €
20-1300	3/4" Liquid Tight Connector H/Pump	22.12 €
122243B	40mm Half Union C/W O'ring - Black	7.31 €
20-1319	Thermostat Well 67.5 mm	1.35 €
W22038	Thermostat Well O Ring	3.37 €
CAPILLARY		
W22891	Capillary Kit with Distributor 3x21" TC54	247.56 €
10-1388	Bi Flow Distributor Assembly #89 with strainer 3/8" (19kW)	262.20 €
10-1389	Bi Flow Distributor Assembly #102 with strainer 3/8" (23kW)	270.92 €
10-1385	Reversing Valve Assy Ultra	126.01 €
ELECTRICAL		
40-1006AV	Flow Switch Adjustable - Flare 3/4 NPT	71.64 €
30-1023	Fan Motor 45W 208-230 50/60hZ 6P	239.38 €
30-1116	Fan Blades 18" 12.7mm PP + Fibre	178.79 €
60-1131	Fan Guard 18"	213.14 €
50-1008	Contactator	81.62 €
40-0001	Transformer	63.51 €
40-0002	Fan Relay 24V	25.00 €
40-2000	Heat Pump Control Assy W Diagnostics	318.47 €
40-5000M2	Heat Pump Control Assy Reversing W/Diagnostics 40-1036 (Ultra, 19kW & 23kW)	318.48 €
20-1531	Escutcheon Assy Black Tinted Clear Cover	11.47 €
40-1040	Low Press Switch R410 25 - 50 PSI	81.91 €
40-1041	High Press Switch R410 565 - 400 PSI	81.22 €
40-2005M2	Defrost Sensor Probe - Yellow	22.83 €
40-2007M2	Water Temperature Sensor Probe - Black	34.68 €
BODY PANELS		
W44529	Base Panel - Black	185.29 €
20-1942	Top Panel - Black	185.29 €
60-1117	Support Rod Small	7.27 €

Aquabiome Skid Pack (SM400 - SM900)

Part Number	Product Description	Diagram No.	LIST PRICE
14862	Wat 50/652W valve (SM700, Sm900)	13	58.05 €
14852	FPI 2 way valve white (SM400, SM500, SM600)	13	51.48 €
282400	Spa blow air flow 1000 (SM750, SM900) - 2 Nos required Spa blow air flow 1000 (SM400, SM500, SM600) - 1 Nos required	12	441.36 €
14651	Check valve 50/60mm 180DG	11	See Main Plist
455569	Skid base T/P T600 (SM400, SM500)	10	86.80 €
620822	Base bead Filter 24" (SM600)	10	260.81 €
620823	Base bead filter 30"/36" (SM750, SM900)	10	289.83 €
W04058BLK	D/P complete 40mm Black	9	115.58 €
6209240	Lateral 1.1 x 200mm (SM900) - 8 Nos required	8	4.66 €
6209220	Lateral 1.1 x 110mm (SM600) - 8 Nos required	8	2.85 €
6209230	Lateral 1.1 x 145mm (SM500, SM750)	8	3.69 €
6209210	Lateral 1.1 x 75mm (SM400, SM600, SM750, SM900) - 8 Nos required	8	2.46 €
W02117PP	Lateral end cap nut PP - 8 Nos required	7	2.80 €
6209412	Diffuser 0.5mm slot short (SM750, SM900) - 2 Nos required Diffuser 0.5mm slot short (SM400, SM500, SM600) - 1 Nos required	6	13.22 €
62026	T/L lid 'O' ring	5	16.94 €
6209291	Filter lid 8" clear	4	56.30 €
62024BLK	TCF lock ring black	3	35.44 €
620221	Air relief valve - new - 2 Nos required	2	6.56 €

For multiport valves and pressure gauges see page 14-16 of the main pricelist



Exotuf Aquabiome Skid Pack (E500, E600, E702)

Part Number	Product Description	Diagram No.	LIST PRICE
282410	Blower Airflo Europe (E500+, E600+)	14	See Main Plist
282501	Spa blower Whisperair 1200 Watt motor (E702+)	14	627.14 €
14642	Spring ball check valve 40mm (E500+, E600+)	13	51.60 €
W32979	Spring ball check valve 50mm F/Threaded (E702+)	13	72.44 €
620221	Air relief valve - new style - black	12	6.56 €
6409412	Diffuser 0.5mm slot short	11	13.22 €
6209240	Lateral 1.1 x 200mm (E702+) - 8 Nos required	10	4.66 €
6209220	Lateral 1.1 x 110mm (E500+, E600+) - 8 Nos required	10	2.85 €
6209210	Lateral 1.1 x 75mm (E600+) - 8 Nos required	10	2.46 €
W02117PP	Lateral end cap nut PP - 8 Nos required	9	2.80 €
W02026BLK	Drain plug complete 15mm - black	7	23.02 €
6220208	Clamp band 8" - 2 Nos required	6	107.35 €
62092911	Filter clear lid 8" clamp type	5	68.61 €
622203	Screw overmolded M8 x 60 S/S hex bolt - 2 Nos required	4	52.21 €
W22479	'O' ring 197.2 x 4.5mm NBR black Shore70	3	11.82 €
W22280	Washer flat M8 brass (8.4 x 18 x 1.5mm) - 2 Nos required	2	9.00 €
W02195TLJ	De knob w0.6" head DIA brass insert - 2 Nos required	1	9.10 €

For multiport valves and pressure gauges see page 14-16 of the main pricelist

